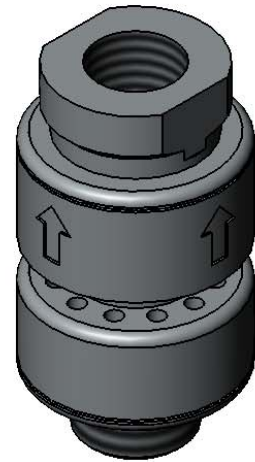
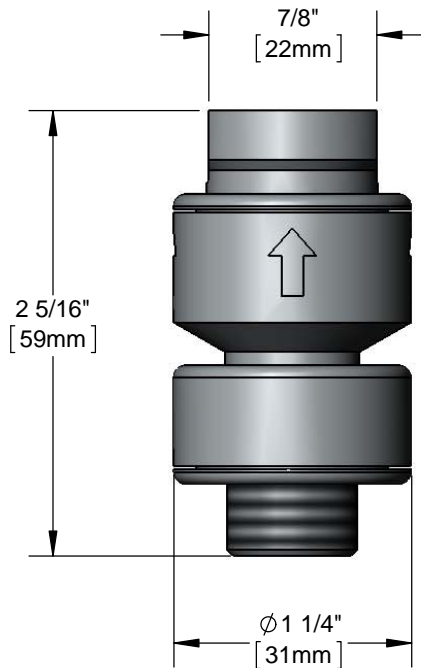




Architect/Engineering Specifications:

Back-flow preventer with polished chrome plated brass body, 3/8" NPT female outlet and 3/8" NPT male inlet. Certified to ASME A112.18.1/CSA B125.1, ASSE 1035 and CSA B64.8.

Job Name _____
 Model Specified _____ Quantity _____
 Variations Specified _____
 Date _____



Features & Benefits:

- Back-flow preventer with polished chrome plated brass body
- 3/8" NPT male inlet and 3/8" NPT female outlet
- Design prevents back siphonage
- Material: Polished chrome plated brass body

Product Compliance:

- ASME A112.18.1 / CSA B125.1
- NSF 61 Exempt (Non-Potable)
- CSA B64.8 (VB)
- ASSE 1035 (VB)



Warranty: One Year (Limited)

Performance Data:

- Pressure: 20 - 125 psi
- Temperature: 40°F - 140°F
- Flow Rate: 9.08 GPM @ 60 psi

