



T&S BRASS AND BRONZE WORKS, INC.
 2 Saddleback Cove / P.O. Box 1088
 Travelers Rest, SC 29690

Model No.
BL-4710-01

Item No.

Travelers Rest, SC: 800-476-4103 • Simi Valley, CA: 800-423-0150 • Fax: 864-834-3518 • www.tsbrass.com



ADA Compliant

This Space for Architect/Engineer Approval

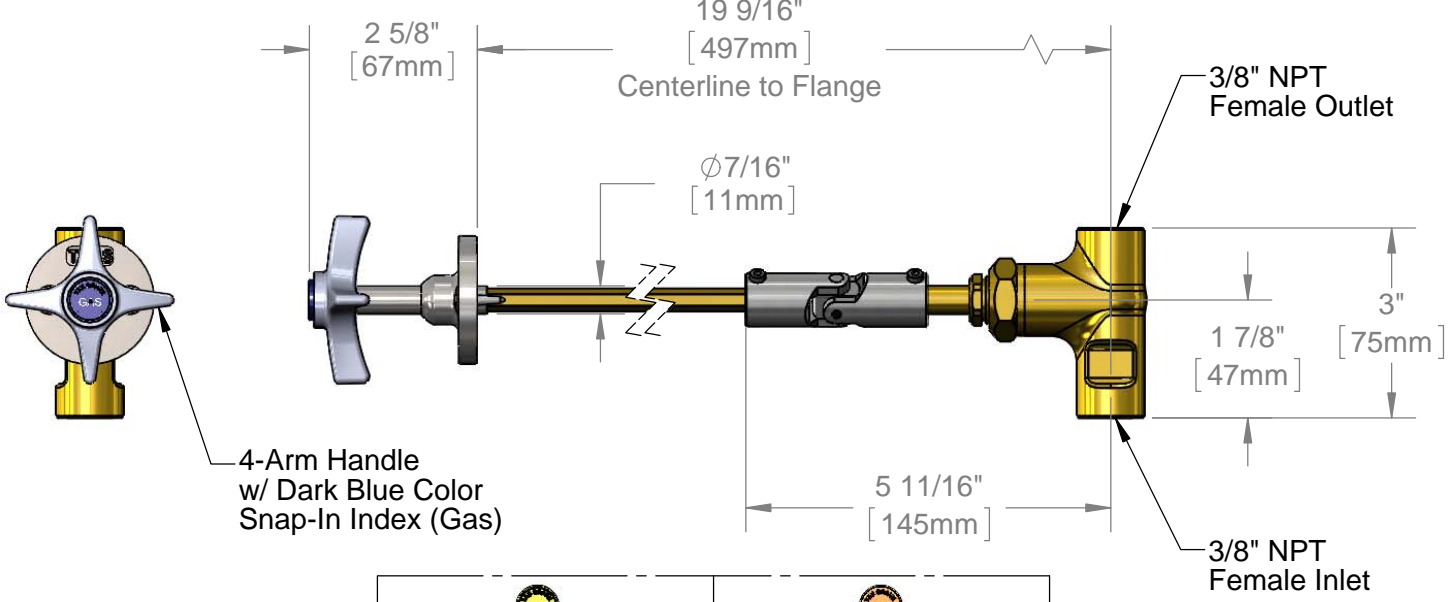
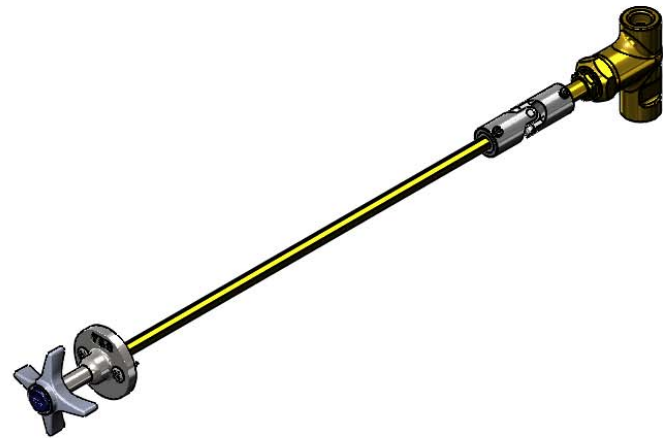
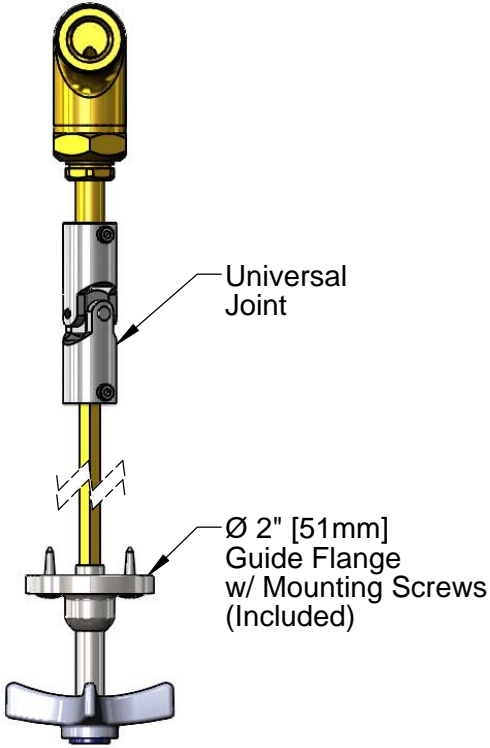
Job Name _____ Date _____

Model Specified _____ Quantity _____

Customer/Wholesaler _____

Contractor _____

Architect/Engineer _____



 209L-VAC Yellow Snap-In Index (Included)	 209L-AIR Orange Snap-In Index (Included)
--	--

Product Specifications:
 Remote Control Straight Valve for Gases w/ 19 9/16" Centerline to Flange, 4-Arm Handle, "GAS", "AIR" & "VAC" Snap-In Indexes, Guide Flange w/ Mounting Screws, Universal Joint & 3/8" NPT Inlet & Outlet

Drawn DHL	Checked DMH	Approved JHB
Scale: 1:3		Date: 09/06/13



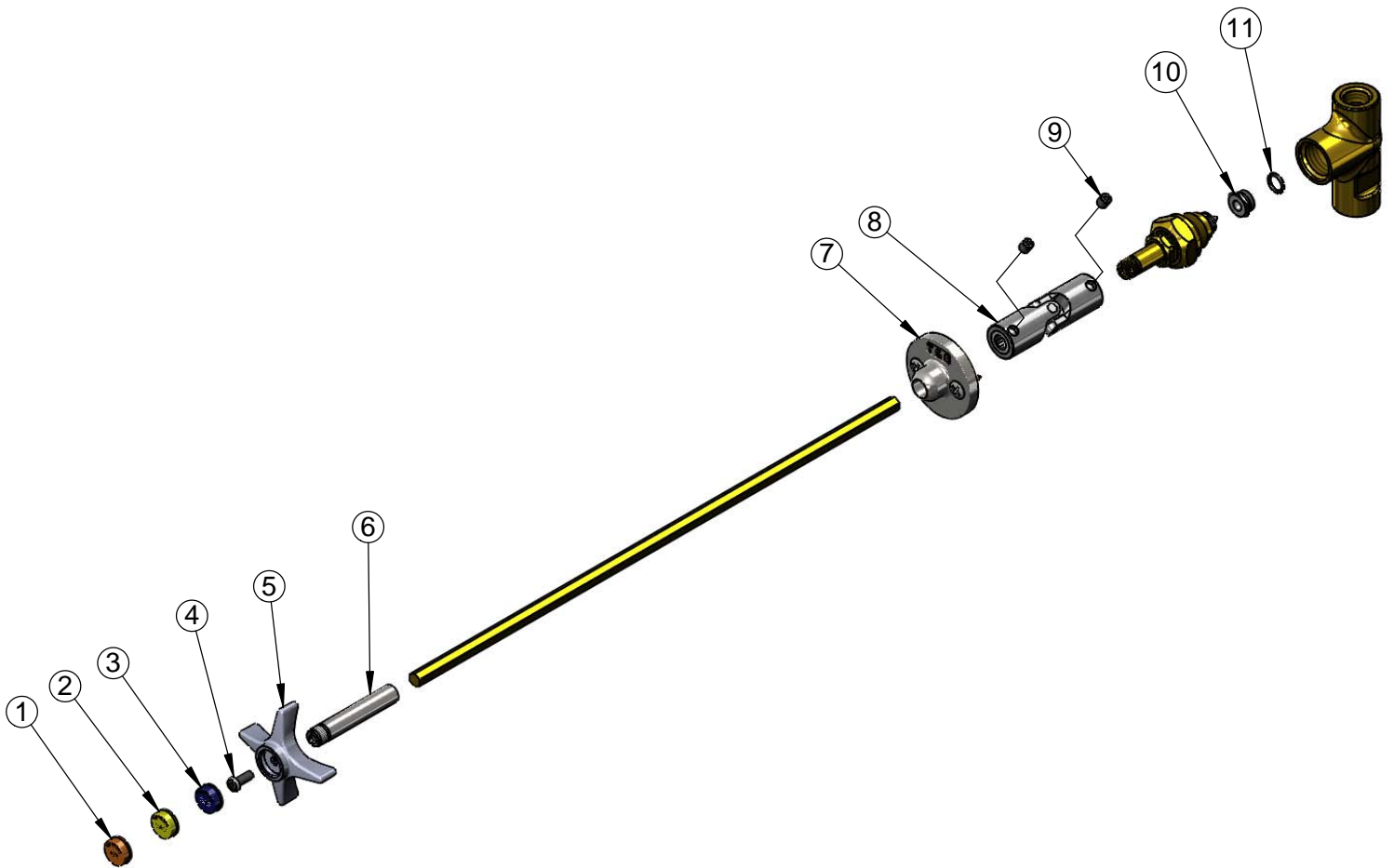
T&S BRASS AND BRONZE WORKS, INC.
 2 Saddleback Cove / P.O. Box 1088
 Travelers Rest, SC 29690

Model No.
BL-4710-01

Item No.

Travelers Rest, SC: 800-476-4103 • Simi Valley, CA: 800-423-0150 • Fax: 864-834-3518 • www.tsbrass.com

ITEM NO.	SALES NO.	DESCRIPTION
1	209L-AIR	Orange AIR Snap-In Index
2	209L-VAC	Yellow VAC Snap-In Index
3	209L-GAS	Dark Blue GAS Snap-In Index
4	000925-45	Lab Handle Screw
5	000059-40	4-Arm Lab Handle
6	000784-40	Broached Sleeve
7	BL-4740-01	Guide Flange w/ Mounting Screws, Wood Furniture
8	002336-20	Universal Joint, Remote Control Rod
9	000942-45	Set Screw, 1/4-20 UN
10	000529-40	Seat
11	001070-45	O-ring



Product Specifications:

Remote Control Straight Valve for Gases w/ 19 9/16" Centerline to Flange, 4-Arm Handle, "GAS", "AIR" & "VAC" Snap-In Indexes, Guide Flange w/ Mounting Screws, Universal Joint & 3/8" NPT Inlet & Outlet

Drawn DHL	Checked DMH	Approved JHB
Scale: NTS		Date: 09/06/13



T&S BRASS AND BRONZE WORKS, INC.
 2 Saddleback Cove / P.O. Box 1088
 Travelers Rest, SC 29690

Model No.
BL-4710-02

Item No.

Travelers Rest, SC: 800-476-4103 • Simi Valley, CA: 800-423-0150 • Fax: 864-834-3518 • www.tsbrass.com



ADA Compliant

This Space for Architect/Engineer Approval

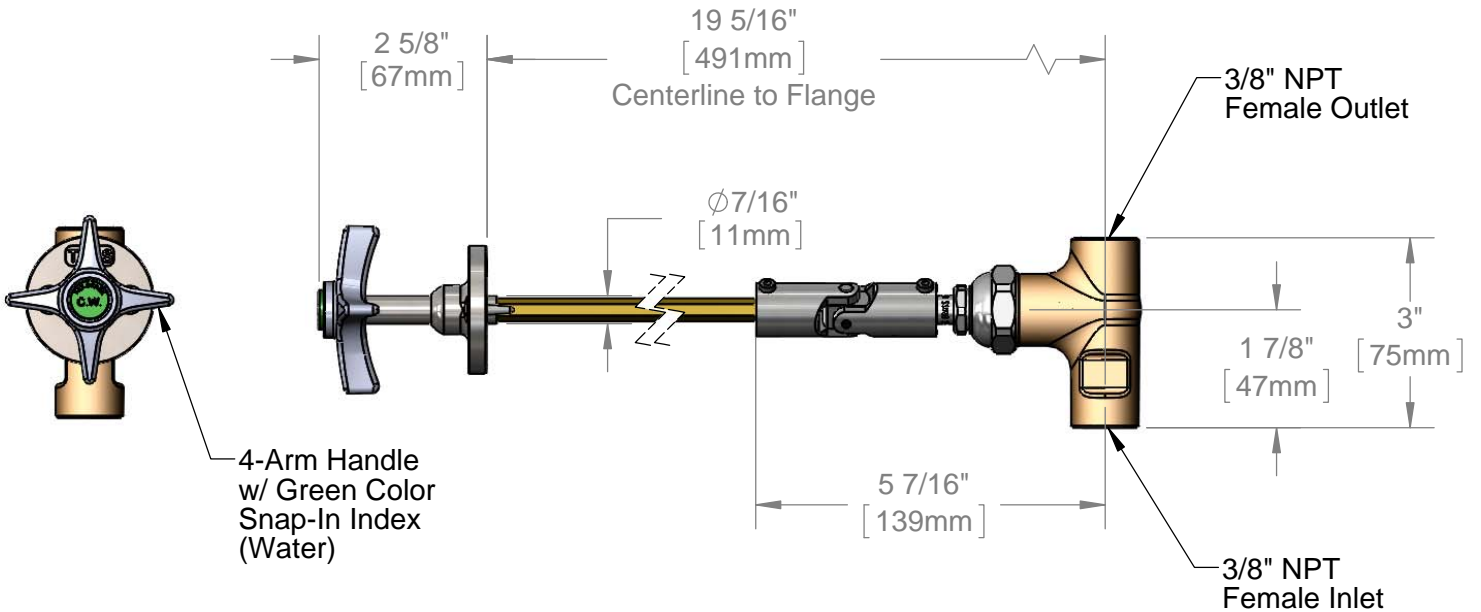
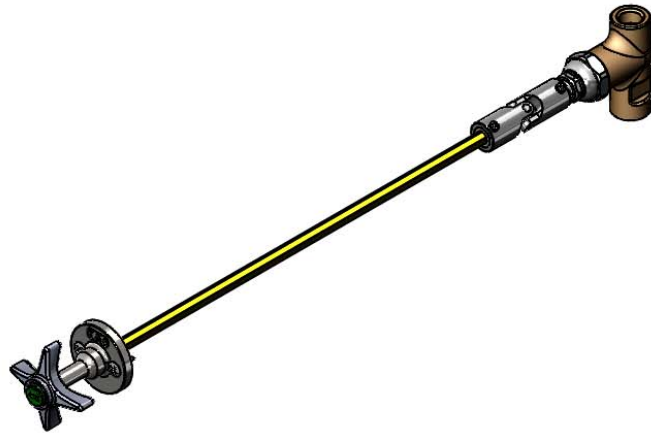
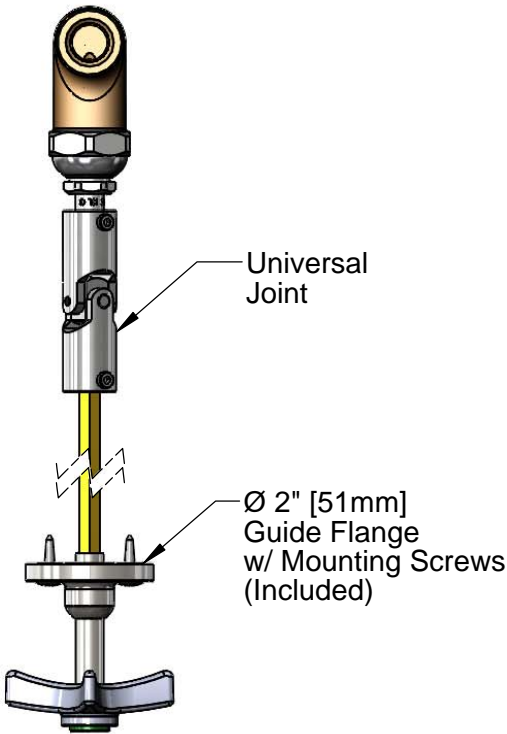
Job Name _____ Date _____

Model Specified _____ Quantity _____

Customer/Wholesaler _____

Contractor _____

Architect/Engineer _____



Product Specifications:
 Remote Control Straight Valve for Water w/ 19 5/16" Centerline to Flange, 4-Arm Handle, Guide Flange w/ Mounting Screws, Universal Joint & 3/8" NPT Inlet & Outlet

Drawn DHL	Checked DMH	Approved JHB
Scale: 1:3		Date: 09/06/13



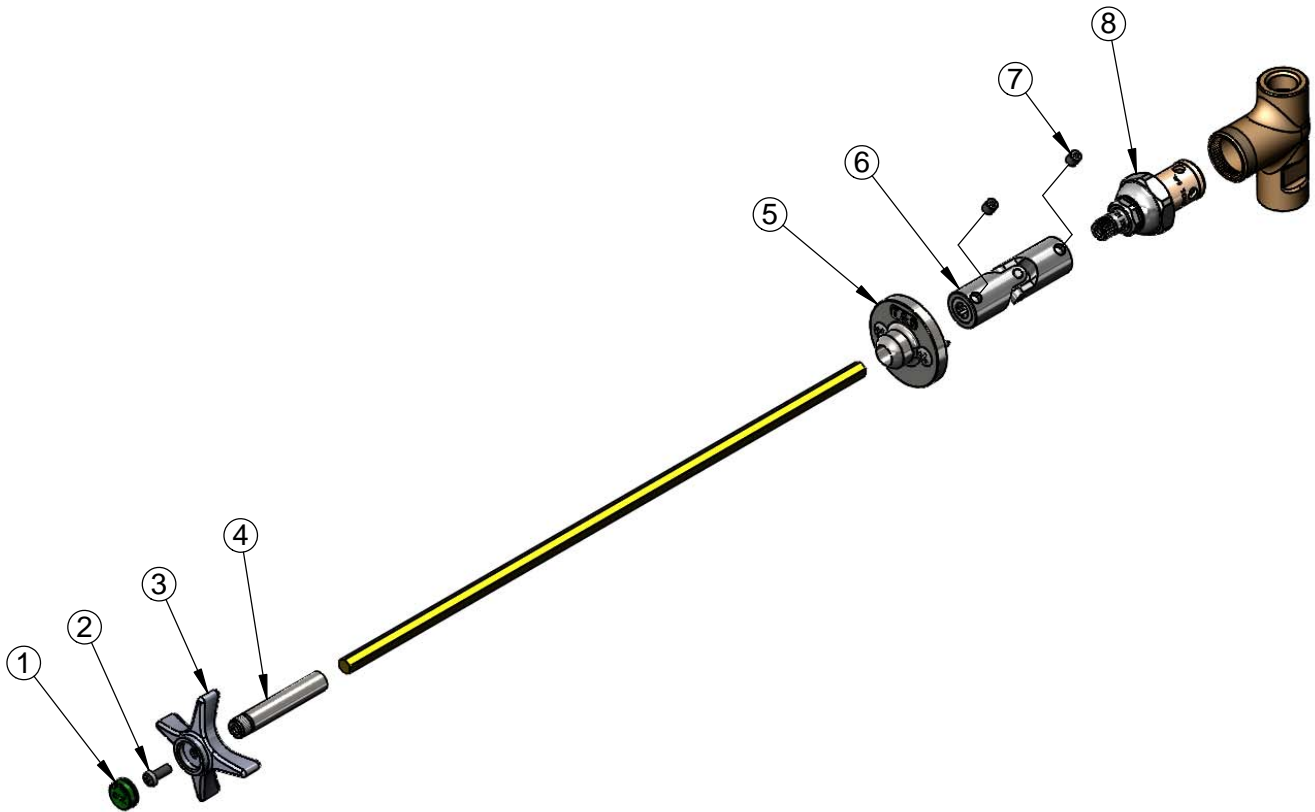
T&S BRASS AND BRONZE WORKS, INC.
 2 Saddleback Cove / P.O. Box 1088
 Travelers Rest, SC 29690

Model No.
BL-4710-02

Item No.

Travelers Rest, SC: 800-476-4103 • Simi Valley, CA: 800-423-0150 • Fax: 864-834-3518 • www.tsbrass.com

ITEM NO.	SALES NO.	DESCRIPTION
1	001191-45	Green CW Snap-In Index
2	000925-45	Lab Handle Screw
3	000059-40	4-Arm Lab Handle
4	000784-40	Broached Sleeve
5	BL-4740-01	Guide Flange w/ Mounting Screws, Wood Furniture
6	002336-20	Universal Joint, Remote Control Rod
7	000942-45	Set Screw, 1/4-20 UN
8	005960-40	Eterna Cartridge, RTC



Product Specifications:
 Remote Control Straight Valve for Water w/ 19 5/16" Centerline to Flange, 4-Arm Handle, Guide Flange w/ Mounting Screws, Universal Joint & 3/8" NPT Inlet & Outlet

Drawn DHL	Checked DMH	Approved JHB
Scale: NTS		Date: 09/06/13



T&S BRASS AND BRONZE WORKS, INC.
 2 Saddleback Cove / P.O. Box 1088
 Travelers Rest, SC 29690

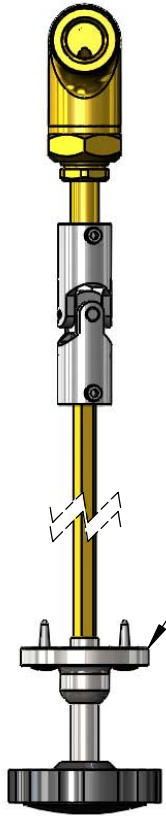
Model No.
BL-4710-03

Item No.

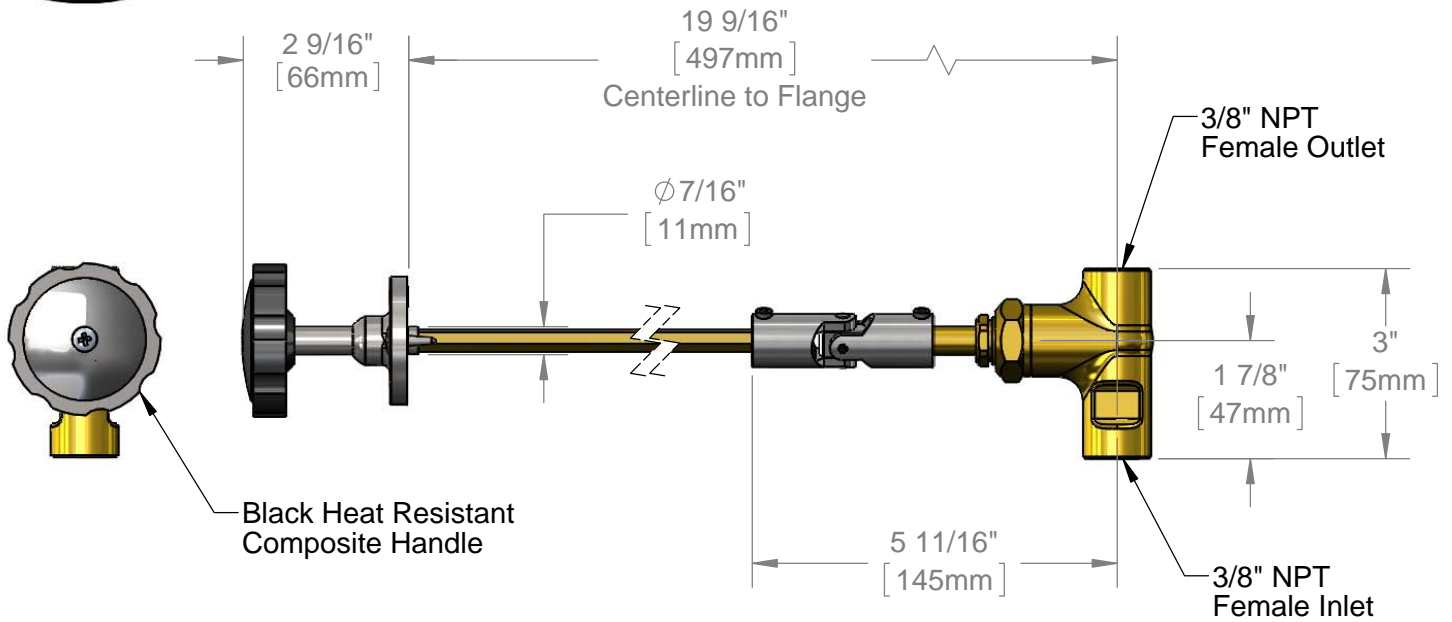
Travelers Rest, SC: 800-476-4103 • Simi Valley, CA: 800-423-0150 • Fax: 864-834-3518 • www.tsbrass.com

This Space for Architect/Engineer Approval

Job Name _____ Date _____
 Model Specified _____ Quantity _____
 Customer/Wholesaler _____
 Contractor _____
 Architect/Engineer _____



Ø 2" [51mm]
 Guide Flange
 w/ Mounting Screws
 (Included)



Product Specifications:
 Remote Control Straight Valve for Steam w/ 19 9/16" Centerline to Flange, Heat Resistant Handle, Guide Flange w/ Mounting Screws & 3/8" NPT Inlet & Outlet

Drawn DHL	Checked DMH	Approved JHB
Scale: 1:3		Date: 09/06/13



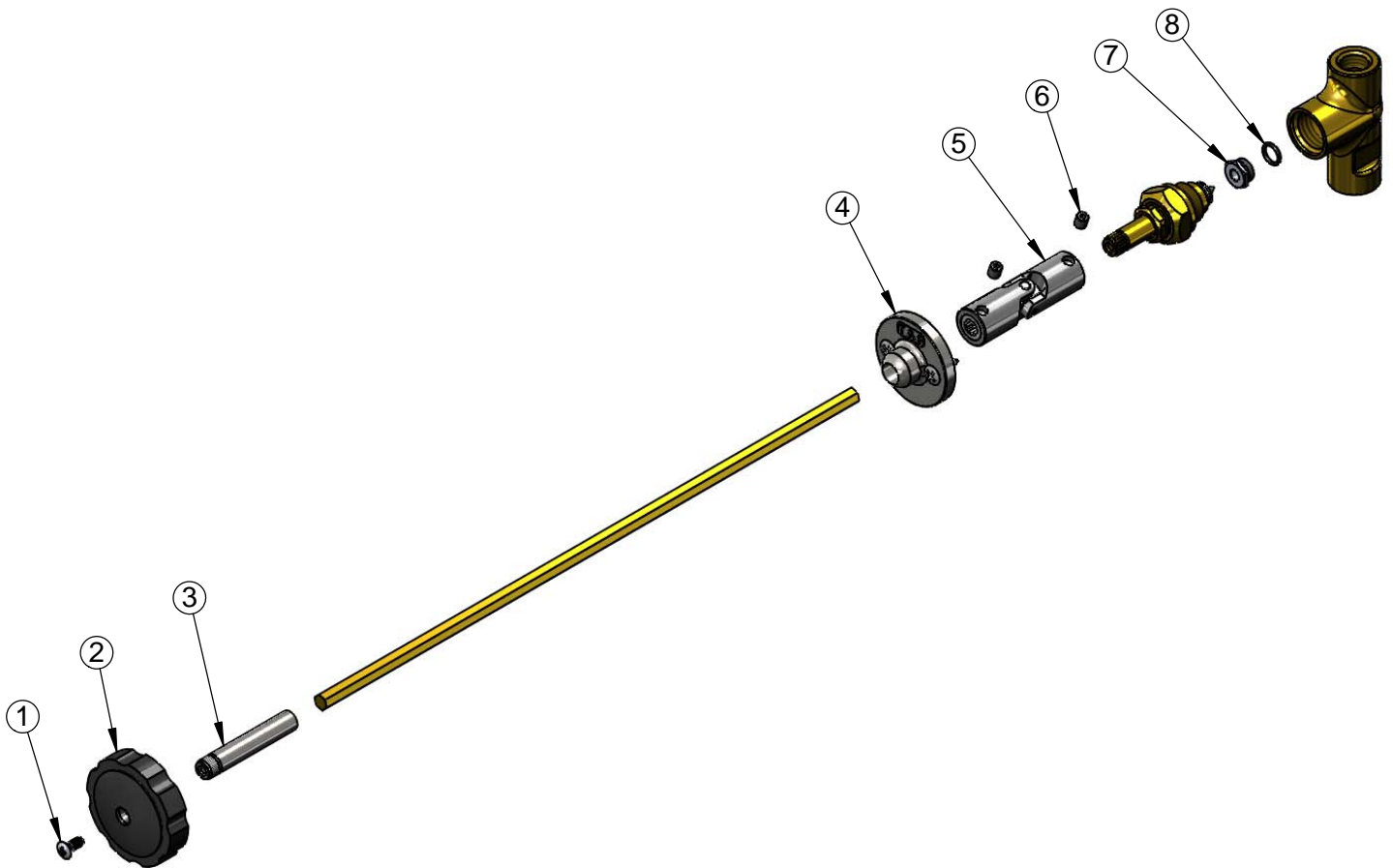
T&S BRASS AND BRONZE WORKS, INC.
 2 Saddleback Cove / P.O. Box 1088
 Travelers Rest, SC 29690

Model No.
BL-4710-03

Item No.

Travelers Rest, SC: 800-476-4103 • Simi Valley, CA: 800-423-0150 • Fax: 864-834-3518 • www.tsbrass.com

ITEM NO.	SALES NO.	DESCRIPTION
1	000922-45	Lever Handle Screw
2	001149-20	Handle, Heat Resistant, Black
3	000784-40	Broached Sleeve
4	BL-4740-01	Guide Flange w/ Mounting Screws, Wood Furniture
5	002336-20	Universal Joint, Remote Control
6	000942-45	Set Screw, 1/4-20 UN
7	000529-40	Seat
8	006574-45	O-ring



Product Specifications:
 Remote Control Straight Valve for Steam w/ 19 9/16" Centerline
 to Flange, Heat Resistant Handle, Guide Flange w/ Mounting Screws
 & 3/8" NPT Inlet & Outlet

Drawn DHL	Checked DMH	Approved JHB
Scale: NTS		Date: 09/06/13