



#### Limited Two Year Warranty

T&S warrants to the original purchaser (other than for purposes of resale) that such product is free from defects in material and workmanship for a period of two (2) years from the date of purchase, except hose. Hose supplied by T&S carries a 90-day warranty only. During this two-year warranty period, if the product is found to be defective, T&S shall, at its option, repair and/or replace it. To obtain warranty service, products must be returned to...

*T&S Brass and Bronze Works, Inc.  
Attn: Warranty Repair Department  
2 Saddleback Cove  
Travelers Rest, SC 29690*

Shipping, freight, insurance, and other transportation charges of the product to T&S and the return of repaired or replaced product to the purchaser are the responsibility of the purchaser. Repair and/or replacement shall be made within a reasonable time after receipt by T&S of the returned product. This warranty does not cover items which have received secondary finishing or have been altered or modified after purchase, or for defects caused by abuse to or misuse of the product, or shipment of the products.

Any express warranty not provided herein, and any remedy for Breach of Contract which might arise, is hereby excluded and disclaimed. Any implied warranties of merchantability or fitness for a particular purpose are limited to two years in duration. Under no circumstances shall T&S be liable for loss of use or any special consequential costs, expenses or damages.

Some states do not allow limitations on how long and implied warranty lasts or the exclusion or limitation of incidental or consequential damages, so the above limitations or exclusions may not apply to you. Specific rights under this warranty and other rights vary from state to state.

#### Attention California Residents:

"WARNING: This product contains chemicals known to the State of California to cause cancer, and birth defects or other reproductive harm."

P/N: 098-014921-45 Rev.7  
Date: 08-06-15  
Drawn: TEH  
Checked: JRM 08-07-15  
Approved: JHB 08-07-15

# Installation and Maintenance Instructions



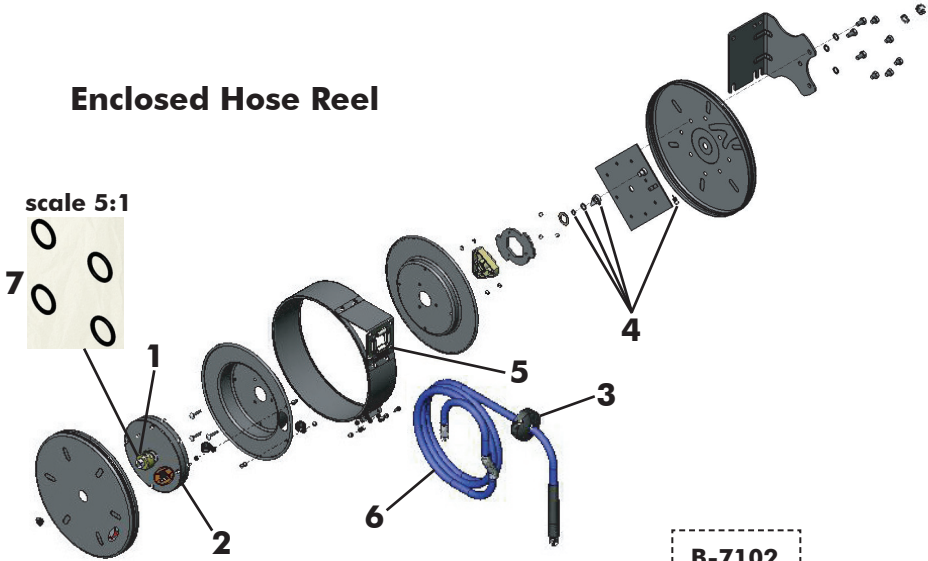
## B-7000-SERIES EPOXY POWDER COATED & STAINLESS STEEL REELS

U.S. Patent #D551,945

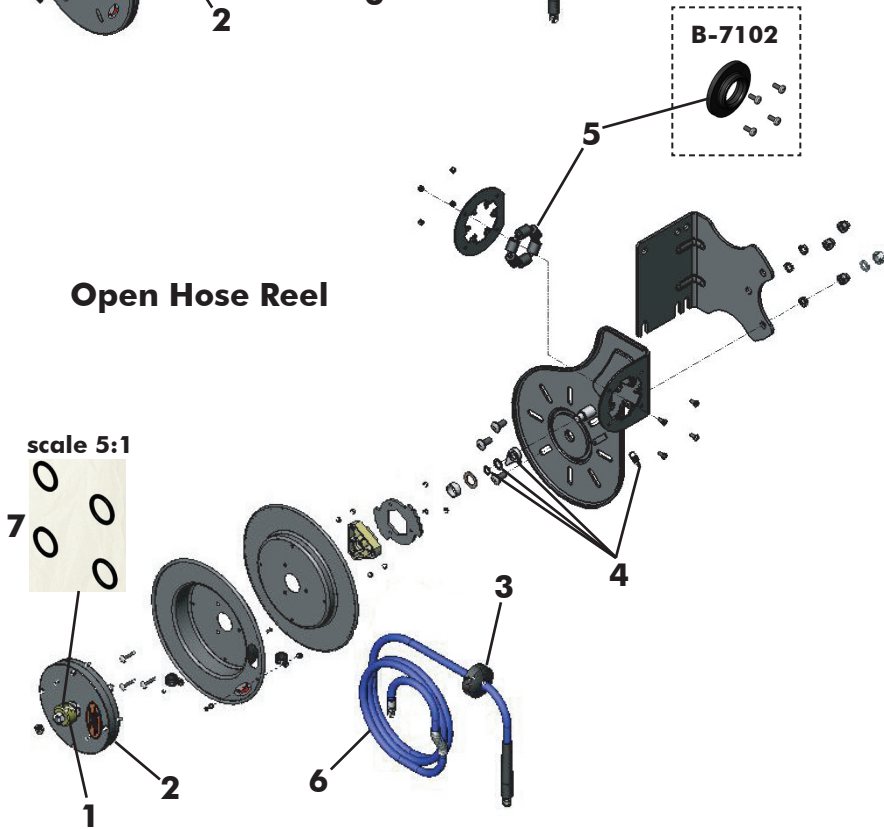
**Español:**  
**Instrucciones de instalación y  
mantenimiento**

# Exploded View

## Enclosed Hose Reel



## Open Hose Reel



# Part Number Guide

## SWIVEL KITS - 1

PART NUMBER	HOSE I.D.	HOSE LENGTH	MAX. PRESSURE
014946-45	3/8"	15'/30'/35'/50'	300 psi
017355-45	3/8"	12'	300 psi
* 014947-45	1/2"	35'/50'	300 psi

## SPRING ASSEMBLIES - 2

PART NUMBER	HOSE I.D.	HOSE LENGTH	MAX. PRESSURE
017362-45	3/8"	12'	300 psi
014932-45	3/8"	15'/30'/35'	300 psi
014934-45	3/8"; 1/2"	35' (1/2" Only)/50'	300 psi
014933-45 (S/S)	3/8"	15'/30'/35'	300 psi
014935-45 (S/S)	3/8"	50'	300 psi

## HOSE STOP KITS - 3

PART NUMBER	HOSE I.D.	HOSE LENGTH	MAX. PRESSURE
G016590-45	3/8"	12'	300 psi
014949-45	3/8"	15'/30'/35'/50'	300 psi
* 014950-45	1/2"	35'/50'	300 psi

## RATCHET KITS - 4

PART NUMBER	HOSE I.D.	HOSE LENGTH	MAX. PRESSURE
017359-45	3/8"	12'	300 psi
014940-45	3/8"; 1/2"	15'/30'/35'/50'	300 psi

## ROLLER/HOSE GUIDE KITS - 5

PART NUMBER	HOSE I.D.	HOSE LENGTH	MAX. PRESSURE
017352-45	3/8"	12'	300 psi
** 015996-45	3/8"	15'	300 psi
014936-45 (ES)	3/8"	30'	300 psi
014938-45	3/8"; 1/2"	15'/35'/50'	300 psi
014937-45 (EL)	3/8"; 1/2"	50'	300 psi

S/S = Stainless Steel      ES = Enclosed Small      EL = Enclosed Large

\* Limited Quantities Available      \*\* For use with Hose Reel 089-015401-45

# Part Number Guide

HOSE KITS - 6			
PART NUMBER	HOSE I.D.	HOSE LENGTH	MAX. PRESSURE
017938-45	3/8"	12'	300 psi
014944-45	3/8"	15'	300 psi
014943-45	3/8"	30'	300 psi
014941-45	3/8"	35'	300 psi
014942-45	3/8"	50'	300 psi
* 015089-45	1/2"	35'	300 psi
* 014945-45	1/2"	50'	300 psi

O-RING KIT - 7			
PART NUMBER	HOSE I.D.	HOSE LENGTH	MAX. PRESSURE
014948-45	ALL	ALL	300 psi

S/S = Stainless Steel      ES = Enclosed Small      EL = Enclosed Large

**\* Limited Quantities Available      \*\* For use with Hose Reel 089-015401-45**

# General Instructions

## Important Safety Instructions

**DANGER:** Immediate hazards which will result in severe personal injury or death.

**WARNING:** Hazards or unsafe practices which could result in severe personal injury or death.

**CAUTION:** Hazards or unsafe practices which may result in minor personal injury or product or property damage.

**WARNING:** Failure to read, understand or follow these instructions could lead to hazards or unsafe practices which could result in severe personal injury or death.

**CAUTION:** Operators need to be instructed on the safe, proper use and maintenance of this product. Keep this manual for future reference. Hazards or unsafe practices may result in minor personal injury or product or property damage.

**TOOLS:** (a) wrench: 10mm, 13mm, 16mm & 19mm; (b) nut driver: 8mm and 10mm; (c) needle-nose pliers (d) cross-recess screw driver #2, and (e) external retaining ring pliers. B-7102 models include a flat wrench.

## Installation

### MOUNTING

Reels complete with hose come set at proper tension and are ready to install. (Fig. 1) Fixed base of reel allows mounting in several different positions including wall mount, base down, or base up. If moving guide arm, three nuts (17mm SS or 19mm painted) on side of reel must be removed. If reel is enclosed version, remove and mount base to surface, then attach reel to base.

### MOUNTING B-7102

The B-7102 mounting flange is part of the support frame. This hose reel can be positioned as wall mounted (as shipped) or base up. To convert from one position to another:

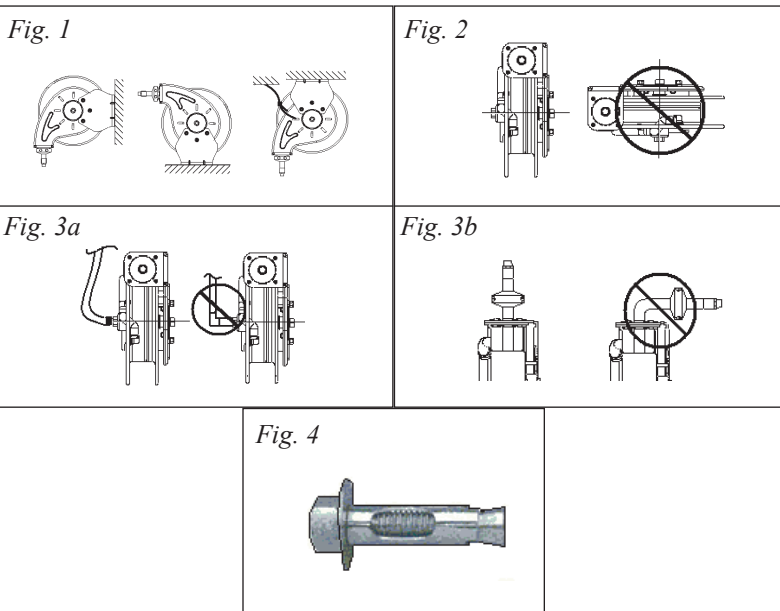
- Temporarily clamp unit to a work surface. Remove all tension from reel; see "Tension Adjustment."
- Slide flat wrench provided between spool assembly and support frame onto shaft to hold it from turning during the next step.
- Loosen but do not remove the shaft nut (22mm hex) until the shaft is free to turn in the support frame hole.
- Remove the (2) screws securing the hose guide bracket, move the bracket to the desired location and reinstall the screws.
- Turn the spool and shaft relative to the support frame until the hose fitting at the formed metal tube assembly is parallel with the hose guide bushing centerline.
- Retighten the shaft nut. Re-tension reel (see "Tension Adjustment")

# General Instructions

## Installation

### General Mounting Requirements

- (Fig. 2) Main-shaft must be horizontal.
- (Fig. 3a) Swivel inlet must be connected with flexible hose. Rigid pipe may cause premature wear and affect performance.
- (Fig. 3b) Centerline of spool assembly must be in-line with hose pull out. To adjust guide arm, remove screws holding it to base and rotate to desired group of mounting holes.
- Qualified personnel must evaluate wall or ceiling fastening. Mounting through the (4) 1/2" dia. holes on the base may vary due to surface materials. A possible method for concrete, brick and cement block is a sleeve anchor type stud fastener (fig. 4) instead of, sometimes difficult to install, long lag bolts.



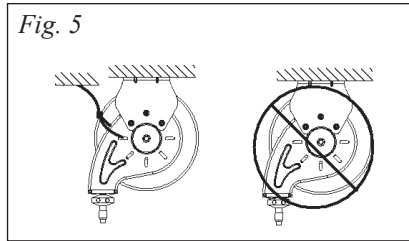
# General Instructions

## SECONDARY SUPPORT

**WARNING:** A secondary support chain is required for all objects mounted over head to protect personnel in case of failure in mounting hardware or structure.

- (Fig. 5) Attach support cable/chain to one of the slots in guide arm. Other end of support cable to be attached to a support other than the main one supporting the hose reel.
- The safety chain/cable should allow reel to drop no more than 6 to 12 in. if primary connection is released.

Fig. 5



## Adjustment

### RATCHET LOCK

**CAUTION:** To avoid damage to the reel or personnel, always hold on to hose while it is rewinding. Hazards or unsafe practices which may result in minor personal injury or product or property damage.

- Ratchet “clicks” four times every half-spool revolution.
- Note: For B-7102 ratchet clicks five times every full revolution.

• (Fig. 6) To latch reel, slowly pull out hose and allow it to retract after clicks 1-4.

• (Fig. 7) To unlatch, slowly pull out hose until “clicking” stops, then let hose rewind until hose stop rests against guide.

- To disable ratchet, see section in servicing on “Ratchet Lock Replacement/Removal”.

Fig. 6

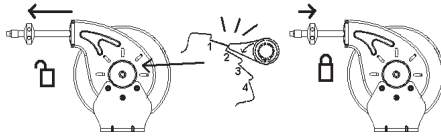
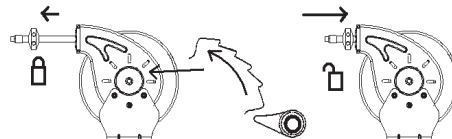


Fig. 7

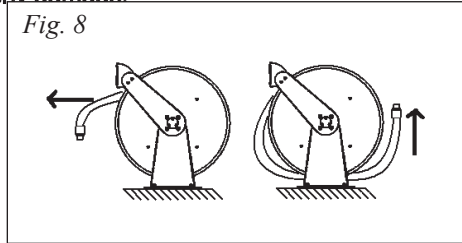


# General Instructions

## TENSION ADJUSTMENT

**CAUTION:** Always leave at least 1-2 turns between full extension and when the spring is wound tight. If entire hose cannot be pulled out, decrease tension until full extension is possible. Failure to test for adequate spring revolutions can cause damage to reel. Hazards or unsafe practices may result in minor personal injury or product or property damage.

- Reels shipped with hose are pre-tensioned at factory. Reels shipped without hose are pre-tensioned after installing hose, but before making final hose or inlet connections.



- (Fig. 8) To pre-tension hose reel, pull hose out to allow one full wrap of hose to be looped back over drum assembly. Hold drum from turning by engaging ratchet (fig.6). and loop hose back on drum. Repeat until desired tension is achieved. After tension is set, pull out hose. If full hose extension is not possible, remove pre-tension turns as needed by reversing process.

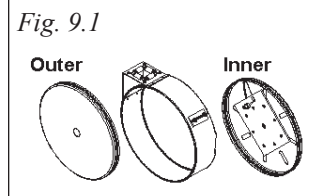
## Service

**CAUTION:** Remove all tension before servicing. Hazards or unsafe practices may result in minor personal injury, product or property damage.

**WARNING:** Before performing any service, always disconnect and lock out compressed air or fluid, and remove all spring tension. Hazards or unsafe practices could result in severe personal injury or death.

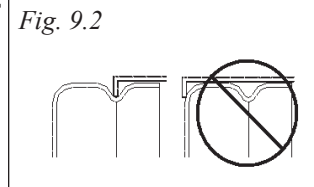
## ENCLOSED HOSE REELS

- Enclosed hose reels require additional steps to remove outer and middle covers (fig 9.1) before performing service. Cover is removed by loosening (2) 10 mm nuts. Reinstall with middle cover edge as shown (fig 9.2).



## HOSE INSTALLATION AND REPLACEMENT

- Remove all tension from reel (see Tension Adjustment). Remove hose-stop, unwind hose from reel, remove strain-relief (8mm nut) and unscrew hose from its connection point (depending on model, swivel tee or metal tube assembly). Feed new hose through roller guide and through slot in flange (except on B-7102). Reattach hose to its connection (use thread sealant or Teflon tape for male threaded hose fittings; the metal tube assembly on B-7102 does not require thread sealant). Reattach strain relief clamp, wind onto drum assembly and re-tension reel.





# General Instructions

## RATCHET LOCK REPLACEMENT/REMOVAL

To replace or remove ratchet:

- Turn off or lockout air/fluid supply to reel
- Remove all tension, see "Tension Adjustment"
- (Fig. 10.1) Remove spool from stand (24mm or 22mm nut)
- (Fig. 10.2) Replace or remove ratchet lock and spring (small external retaining ring pliers or for B-7102, 10mm hex retaining nuts)
- Replace spool and tighten shaft nut (24mm or 22mm)
- Retension, see "Tension Adjustment"

Ratchet plate is secured with 10mm nuts. The B-7102 ratchet plate is not replaceable.

Fig. 10.1

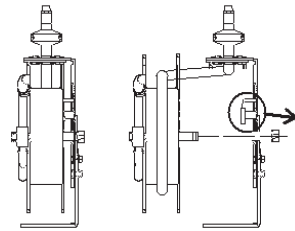
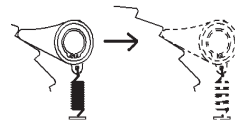


Fig. 10.2



## MAIN-SPRING ASSEMBLY REPLACEMENT

**WARNING: Never remove spring from its sealed container. Replacement springs are in a sealed assembly for safety. There is no need to remove them. Serious injury or death could result from removal of spring from its container.**

NOTE: If spring is to be replaced when not broken make sure to remove all tension before proceeding.

If reel has no retraction tension, then main-spring likely needs replacement.

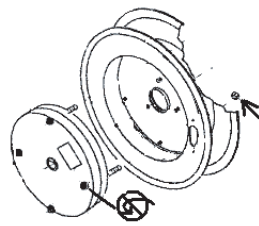
To replace main-spring (all models **except** B-7102):

- Turn off or lockout air/fluid supply to reel
- Remove supply hose to swivel
- Remove swivel by loosening its hex end (round body is 24mm or square body is 27mm)
- Remove retaining ring (medium external retaining ring pliers) and spacer washers from main-shaft

NOTE: If plastic spool, complete spool/axle assembly is replaced.

- Pull spring pocket assembly, with spool, off drum axle (if plastic spool, axle is part of spool assembly)
- (Fig. 11) Remove nuts (10mm) holding spring pocket to spool, install new containerized spring
- Reverse procedure to reassemble (use Teflon tape or sealant on hose connections) and retension reel, see "Tension Adjustment"

Fig. 11



# General Instructions

## B-7102 MAIN-SPRING ASSEMBLY REPLACEMENT

To replace model B-7102 main spring:

- Turn off or lockout air/fluid supply to reel and bleed off remaining pressure. Remove supply hose to inlet swivel.
- Remove all tension; see "Tension Adjustment." Unwind hose from reel and remove hose clamp (8mm nut).
- Disconnect metal tube assembly from swivel inlet (11/16" swivel nut).
- Slide flat wrench provided between spool assembly and support frame onto shaft to hold it from turning during the next step.
- Remove spool from mounting frame (22mm nut)
- Remove inlet swivel assembly by loosening hex end (25mm)
- Remove (4) Philips head screws and take off outer drum half.
- Remove (3) nuts (10mm).
- Remove then replace main-spring assembly. Install (3) nuts (10mm).
- Reverse procedure to reassemble and re-tension reel (see "Tension Adjustment")

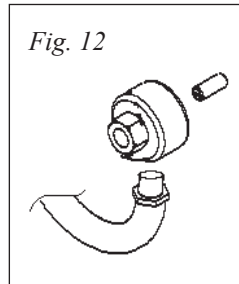
## SWIVEL REPLACEMENT

NOTE: Swivel only sold as complete assembly. If o-rings leak, complete swivel must be replaced.

To replace swivel:

- Turn off or lockout air/fluid supply to reel
- Remove all tension from reel (see "Tension Adjustment")
- Disconnect supply hose to swivel
- (Fig. 12) Remove swivel by loosening hex end. Disconnect spool hose or on B-7102 models, the metal tube assembly.
- Reverse above procedure and install new swivel (use Teflon tape or sealant on connections; on B-7102 models the metal tube assembly does not require thread sealant)

Fig. 12



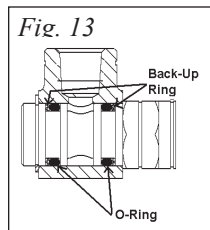
## O-RING REPLACEMENT

**CAUTION: Carefully replace o-rings making sure not to damage machined sealing surfaces. O-ring life and sealing ability may otherwise be affected. Hazards or unsafe practices may result in minor personal injury, product or property damage.**

To replace o-ring:

- Remove swivel from reels as "Swivel Replacement" procedure
- Remove retaining ring and slowly remove outer swivel from inner shaft
- Remove old o-rings and back-up rings
- (Fig. 13) Install new o-rings and back-up rings, using supplied lubricant
- Reverse above procedure and install new swivel (use Teflon tape or thread sealant on hose connections; on B-7102 models the metal tube assembly does not require thread sealant.)

Fig. 13



# General Instructions

## Preventative Maintenance

### HOSE

- Check wear near hose-stop and end fitting. If barb fitting or hose is damaged cut off hose end and reattach new barb fitting and clamp.
- Check wear along entire hose length. Replace if needed.

### SWIVEL

- Check leaks by spraying with soapy water from hand spray bottle. If bubbles form, replace swivel.

### ROLLER/HOSE GUIDE

- Check rollers for wear. If rollers on one side have more wear than the other side, then guide position might need re-adjustment.

### MOUNTING

- Check tightness of mounting bolts and condition of safety cable/chain and attachment points.

# Instrucciones generales

## Instrucciones adicionales de seguridad

**PELIGRO:** Peligros inmediatos que pueden provocar graves lesiones o la muerte.

**ADVERTENCIA:** Prácticas peligrosas o inseguras que pueden provocar graves lesiones o la muerte.

**PRECAUCIÓN:** Peligros o prácticas inseguras que pueden provocar lesiones menores o daños materiales.

**ADVERTENCIA:** No leer, entender o seguir estas instrucciones puede causar peligros o prácticas inseguras que podrían provocar lesiones severas o la muerte.

**PRECAUCIÓN:** A los operadores se les debe de instruir sobre el uso y mantenimiento seguros y adecuados de este producto. Conserve este manual para consultas futuras. Las prácticas peligrosas o inseguras pueden provocar lesiones ligeras o daños materiales.

**HERRAMIENTAS:** (a) llave: 10 mm, 13 mm, 16 mm, y 19 mm; (b) llave para tuercas: 8 mm y 10 mm; (c) pinzas de punta; (d) desarmador de cruz #2 y (e) pinzas de aro de retención externo. Los modelos B-7102 incluyen una llave plana.

## Instalación

### MONTAJE

Los carretes completos con manguera vienen ajustados a la tensión adecuada y están listos para instalarse. (Fig. 1) La base fija del carrete permite montarlo en varias posiciones, como en la pared, con la base hacia abajo o hacia arriba. Si va a mover el brazo guía deberá quitar tres tuercas (17 mm, SS o 19 mm pintadas) del costado del carrete. Si el carrete es de modelo encerrado, retire y monte la base en la superficie, después fije el carrete en la base.

### MONTAJE DE B-7102

La pestaña de montaje del B-7102 es parte del marco de apoyo. Este carrete de manguera puede colocarse montado en la pared (como se envía) o con la base hacia arriba. Para convertir de una posición a otra:

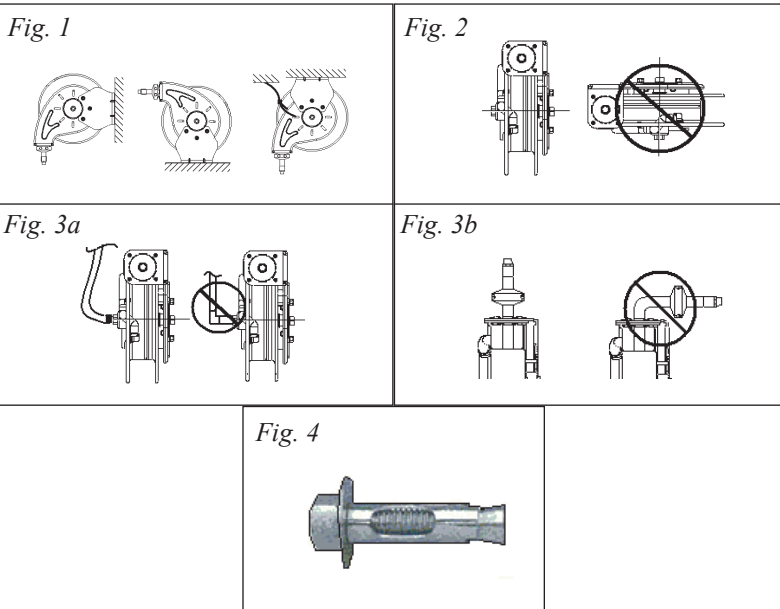
- Fije temporalmente la unidad en una superficie de trabajo. Elimine toda la tensión del carrete (vea Ajuste de tensión).
- Deslice la llave plana que se proporciona entre el conjunto del carrete y el marco de soporte hacia el eje, para evitar que dé vuelta en el siguiente paso.
- Afloje pero no quite la tuerca del eje (22 mm hexagonal) hasta que el eje esté libre para girar en el agujero del marco de soporte.
- Quite los dos tornillos que fijan la ménsula guía de la manguera, mueva la ménsula hacia la posición deseada y reinstale los tornillos.
- Gire el carrete y el eje en relación con el marco de soporte hasta que el conector de la manguera, en el conjunto formado del tubo de metal, esté paralelo con la línea central de la guía de la manguera.
- Vuelva a apretar la tuerca del eje. Vuelva a tensar el carrete (vea "Ajuste de tensión").

# Instrucciones generales

## Instalación

### Requisitos generales de montaje

- (Fig 2) El eje principal debe de estar horizontal.
- (Fig 3a) La entrada de la rótula debe estar conectada con la manguera flexible. Un tubo rígido puede provocar desgaste prematuro y afectar el desempeño.
- (Fig 3b) La línea central del conjunto del carrito debe de estar alineada con la salida de la manguera. Para ajustar el brazo guía, quite los tornillos que lo sostienen en la base y gire el grupo deseado de agujeros de montaje.
- El montaje en el techo o la pared debe ser evaluado por personal calificado. El montaje a través de los cuatro agujeros de 1/2" de diámetro en la base puede variar debido a los materiales de la superficie. Un posible método en concreto, ladrillo o bloque de cemento son los taquetes con manga anclada (Fig 4) en lugar de tornillos largos, que a veces son difíciles de instalar.



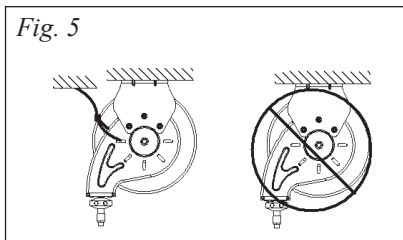
# Instrucciones generales

## SOPORTE SECUNDARIO

**ADVERTENCIA:** Se requiere una cadena de soporte secundario para todos los objetos montados en altura para proteger al personal en caso de falla en la montura o la estructura.

- (Fig 5) Fije el cable o la cadena de soporte en una de las ranuras del bazo guía. El otro extremo del cable de soporte se fija en un soporte que no sea el principal que soporta el carrete de la manguera.
- La cadena o cable de seguridad debe permitir que el carrete caiga no más de 15 a 30 cm ( 6 a 12 pulg.) cuando se suelte la conexión primaria.

Fig. 5



## Ajuste

### BLOQUEO DEL TRINQUETE

**PRECAUCIÓN:** Para evitar daños al carrete o a las personas, siempre sostenga la manguera cuando la esté rebobinando. Peligros o prácticas inseguras que pueden provocar lesiones menores o daños materiales.

- El trinquete hace clic cuatro veces cada media vuelta del carrete.

Nota: El trinquete del B-7102 hace clic cinco veces cada vuelta completa.

- (Fig 6) Para poner el pestillo en el carrete, tire lentamente de la manguera y deje que se retraiga después de los clics 1-4.

- (Fig 7) Para quitar el pestillo, tire lentamente de la manguera hasta que deje de hacer clic; después permita que se rebobine hasta que esté apoyada en la guía.

- Para desactivar el pestillo, vea la sección de servicio en "Reemplazo y eliminación del pestillo".

Fig. 6

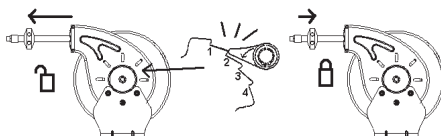
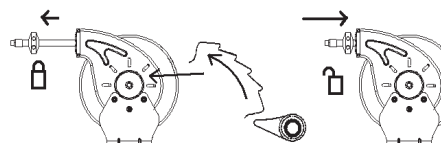


Fig. 7



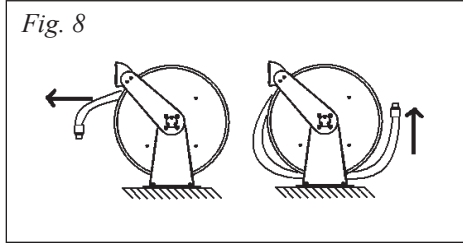
# Instrucciones generales

## AJUSTE DE LA TENSIÓN

**PRECAUCIÓN:** Siempre deje por lo menos 1-2 vueltas entre la extensión completa y cuando el resorte está bien enrollado. Si no se puede sacar la manguera completa, reduzca la extensión hasta que sea posible la extensión total. Si no verifica las revoluciones adecuadas del resorte pueden causarse daños al carrete. Las prácticas peligrosas o inseguras pueden provocar lesiones ligeras o daños materiales.

- Los carretes que se despachan con manguera ya vienen tensos de fábrica. Los carretes despachados sin manguera se tensan después de instalar la manguera, pero antes de hacer las conexiones finales de la manguera y de la toma.
- (Fig 8) Para tensar el carrete de la manguera, tire de ella para permitir que una vuelta completa de la manguera se enrolle en el conjunto del tambor. Evite que el tambor dé vuelta engancho el trinquete (fig 6) y enrollando la manguera de nuevo en el tambor. Repita esta operación hasta lograr la tensión deseada. Una vez establecida la tensión, jale la manguera. Si no es posible la extensión completa, elimine vueltas de antes de la tensión conforme sea necesario, invirtiendo el proceso.

Fig. 8



## Servicio

**PRECAUCIÓN:** Elimine toda la tensión antes de dar servicio. Las prácticas peligrosas o inseguras pueden provocar lesiones menores o daños materiales.

**ADVERTENCIA:** Antes de realizar cualquier servicio, siempre desconecte y bloquee el aire o los líquidos comprimidos y elimine toda la tensión del resorte. Las prácticas peligrosas o inseguras pueden provocar graves lesiones o la muerte.

## CARRETES DE MANGUERA CERRADOS

- Los carretes de manguera cerrados requieren pasos adicionales para retirar la cubierta externa y la intermedia (fig 9.1) antes de darles servicio. La cubierta se retira aflojando las dos tuercas de 10 mm. Reinstale con el borde de la cubierta intermedia como se muestra (fig 9.2).

Fig. 9.1



Fig. 9.2



## INSTALACIÓN Y REEMPLAZO DE LA MANGUERA

- Elimine toda la tensión del carrete (Vea Ajuste de tensión). Quite el paro de la manguera, desenrolle la manguera del carrete, quite el alivio de tensión (tuerca de 8 mm) y desatornille la manguera de su punto de conexión (dependiendo del modelo, rótula o conjunto de tubo de metal). Haga pasar la manguera nueva por la guía de rodillo y a través de la ranura en la pestaña (excepto en B-7102). Vuelva a poner la manguera en su conexión (use sellador para cuerda o cinta de Teflón en conectores machos; el conjunto de tubo de metal del B-7102 no requiere sellador). Vuelva a fijar la abrazadera de alivio de tensión, enrolle en el conjunto del tambor y vuelva a tensar el carrete.

# Instrucciones generales

## REEMPLAZO Y RETIRO DEL BLOQUEO DEL TRINQUETE

Para reemplazar o quitar el trinquete:

- Apague o bloquee el abasto de aire o líquido al carrete.
- Quite todas las tensiones; vea "Ajuste de tensión".
- (Fig 10.1) Quite la bobina de la base (tuerca de 24 mm o de 22 mm).
- (Fig 10.2) Reemplace o quite el bloqueo del pestillo y el resorte (**pinzas de arco de retención externo o, en el B-7102, tuercas hexagonales de retención de 10 mm**).
- Vuelva a poner el carrete y apriete la tuerca del eje (24 mm o 22 mm).
- Vuelva a tensar, vea "Ajuste de tensión".

La placa del trinquete está fijada con tuercas de 10 mm. La placa de trinquete del B.7102 no es reemplazable.

Fig. 10.1

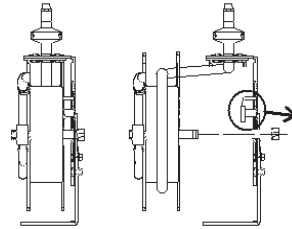
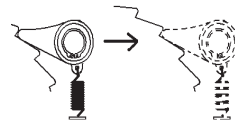


Fig. 10.2



## REEMPLAZO DEL CONJUNTO DEL RESORTE PRINCIPAL

**ADVERTENCIA: Nunca saque el resorte de su contenedor sellado. Los resortes de reemplazo se encuentran en un conjunto sellado por seguridad. No hay necesidad de sacarlos. Pueden producirse graves lesiones o la muerte si saca el resorte de su contenedor.**

NOTA: Si va a reemplazar un resorte que no esté roto, asegúrese de eliminar todas las tensiones antes de hacerlo.

Si el carrete no tiene tensión retráctil, es posible que necesite reemplazarse el resorte principal.

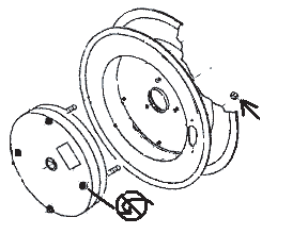
Para reemplazar el resorte principal (todos los modelos, **excepto** el B-7102):

- Apague o bloquee el abasto de aire o líquido al carrete.
- Retire la manguera de abasto de la rótula.
- Quite la rótula aflojando el extremo hexagonal (el cuerpo redondo es de 24 mm y el cuadrado, de 27 mm).
- Quite el arco de retención (pinzas medianas de arco de retención externo) y las arandelas espaciadoras del eje principal.

NOTA: Si el carrete es de plástico, se reemplaza el conjunto completo de carrete y eje.

- Tire del conjunto del bolso de resorte, con la bobina, del eje del tambor (si es de plástico, el eje es parte del conjunto de la bobina).
- (Fig 11) Quite las tuercas (10 mm) que sostienen el bolso de resorte en la bobina, instale el nuevo resorte en su contenedor.
- Invierta el procedimiento para volver a ensamblar (use cinta de Teflón o sellador en las conexiones de la manguera) y vuelva a tensar el carrete (vea "Ajuste de tensión").

Fig. 11





# Instrucciones generales

## REEMPLAZO DEL CONJUNTO DEL RESORTE PRINCIPAL EN B-7102

Para reemplazar al resorte principal en el modelo B-7102:

- Apague o bloquee el abasto de aire o líquido al carrete y elimine la presión restante. Retire la manguera de abasto de la rótula de entrada.
- Quite todas las tensiones; vea "Ajuste de tensión". Desenrolle la manguera del carrete y quite la abrazadera de la manguera (tuerca de 8 mm).
- Desconecte el conjunto de tubo de metal de la entrada de la rótula (tuerca de rótula de 11/16").
- Deslice la llave plana que se proporciona entre el conjunto del carrete y el marco de soporte hacia el eje, para evitar que dé vuelta en el siguiente paso.
- Retire la bobina del marco de montaje (tuerca de 22 mm).
- Quite el conjunto de rótula de entrada aflojando el extremo hexagonal (25 mm).
- Quite los cuatro tornillos de cruz y sáquelos a medias del tambor exterior.
- Quite tres tuercas (10 mm).
- Quite y reemplace el conjunto del resorte principal. Instale tres tuercas (10 mm).
- Invierta el procedimiento para reensamblar y tensar el carrete (vea "Ajuste de tensión").

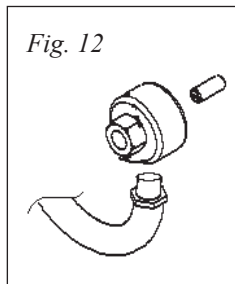
## REEMPLAZO DE LA RÓTULA

NOTA: La rótula solo se vende como conjunto completo. Si los aros en O tienen fugas, debe de reemplazar toda la rótula.

Para reemplazar la rótula:

- Apague o bloquee el abasto de aire o líquido al carrete.
- Elimine toda la tensión del carrete (Vea Ajuste de tensión).
- Desconecte la manguera de abasto de la rótula.
- (Fig 12) Quite la rótula aflojando el extremo hexagonal. Desconecte la manguera de la bobina o, en los modelos B-7102, el conjunto del tubo de metal.
- Invierta el procedimiento anterior e instale la rótula nueva (use sellador para cuerda o cinta de Teflón en conectores machos; el conjunto de tubo de metal del B-7102 no requiere sellador).

Fig. 12



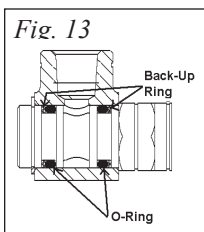
## REEMPLAZO DEL ARO EN O

**PRECAUCIÓN:** Vuelva a colocar los aros en O con cuidado para no dañar las superficies selladas trabajadas a máquina. De otro modo, podrían afectarse la duración y la capacidad selladora del aro en O. Las prácticas peligrosas o inseguras pueden provocar lesiones menores o daños materiales.

Para reemplazar el aro en O:

- Retire la rótula de los carretes siguiendo el procedimiento en "Reemplazo de la rótula".
- Retire el aro de retención y saque lentamente la rótula exterior del eje interno.
- Retire los aros en O y de respaldo viejos.
- (Fig 13) Instale los aros en O y de respaldo nuevos usando el lubricante que se suministra.
- Invierta el procedimiento anterior e instale la rótula nueva (use sellador para cuerda o cinta de Teflón en conectores machos; el conjunto de tubo de metal del B-7102 no requiere sellador).

Fig. 13



# Instrucciones generales

## Mantenimiento preventivo

### MANGUERA

- Revise si hay desgaste cerca del paro de la manguera y del conector del extremo. Si el conector estriado o la manguera están dañados, corte el extremo de la manguera y fije un nuevo conector estriado y abrazadera.
- Revise si hay desgaste a lo largo de la manguera. Reemplace lo que sea necesario.

### RÓTULA

- Revise si hay fugas rociando agua jabonosa con una botella rociadora manual. Si se forman burbujas, reemplace la rótula.

### GUÍA DE LOS RODILLOS Y MANGUERA

- Revise si hay desgaste en los rodillos. Si los rodillos presentan más desgaste de un lado que de otro, quizá sea necesario ajustar la posición de la guía.

### MONTAJE

- Revise si están apretados los pernos de montaje y la condición de seguridad del cable o cadena y de los puntos de conexión.

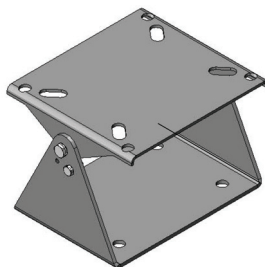
## ACCESSORIES

### ACCESSORIES

PART NUMBER	PART DESCRIPTION	HOSE LENGTH	MAX. PRESSURE
G016636-45	Swing Bracket	3/8" x 12', 15', 30', 35'	ALL
G016637-45	Swing Bracket	3/8" x 50'; ALL 1/2"	ALL
G016737-45	S/S Swing Bracket	ALL	ALL
G016652-45	Pivot Bracket	ALL	ALL



**Swing Bracket**



**Stainless Steel  
Swing Bracket**



**B-0963  
Continuous Pressure  
Vacuum Breaker**



**Pivot Bracket**

## T&S BRASS AND BRONZE WORKS, INC.

A firm commitment to application-engineered plumbing products

2 Saddleback Cove, P.O. Box 1088,  
Travelers Rest, SC 29690

Phone: (864) 834-4102

Fax: (864) 834-3518

E-mail: [tsbrass@tsbrass.com](mailto:tsbrass@tsbrass.com)

T & S Brass-Europe  
'De Veenhoeve'  
Oude Nieuwveenseweg 84  
2441 CW Nieuwveen

The Netherlands



RELIABILITY BUILT IN™



**Limited One Year Warranty**

T&S warrants to the original purchaser (other than for purposes of resale) that such product is free from defects in material and workmanship for a period of one (1) year from the date of purchase. During this one-year warranty period, if the product is found to be defective, T&S shall, at its options, repair and/or replace it. To obtain warranty service, products must be returned to...

*T&S Brass and Bronze Works, Inc.  
Attn: Warranty Repair Department  
2 Saddleback Cove  
Travelers Rest, SC 29690*

Shipping, freight, insurance, and other transportation charges of the product to T&S and the return of repaired or replaced product to the purchaser are the responsibility of the purchaser. Repair and/or replacement shall be made within a reasonable time after receipt by T&S of the returned product. This warranty does not cover items which have received secondary finishing or have been altered or modified after purchase, or for defects caused by physical abuse to or misuse of the product, or shipment of the products.

Any express warranty not provided herein, and any remedy for Breach of Contract which might arise, is hereby excluded and disclaimed. Any implied warranties of merchantability or fitness for a particular purpose are limited to one year in duration. Under no circumstances shall T&S be liable for loss of use or any special consequential costs, expenses or damages.

Some states do not allow limitations on how long and implied warranty lasts or the exclusion or limitation of incidental or consequential damages, so the above limitations or exclusions may not apply to you. Specific rights under this warranty and other rights vary from state to state.

P/N: 098-011027-45 Rev.9  
Date: 03-22-12  
Drawn: TEH  
Checked: JRM 03-26-12  
Approved: JHB 03-27-12

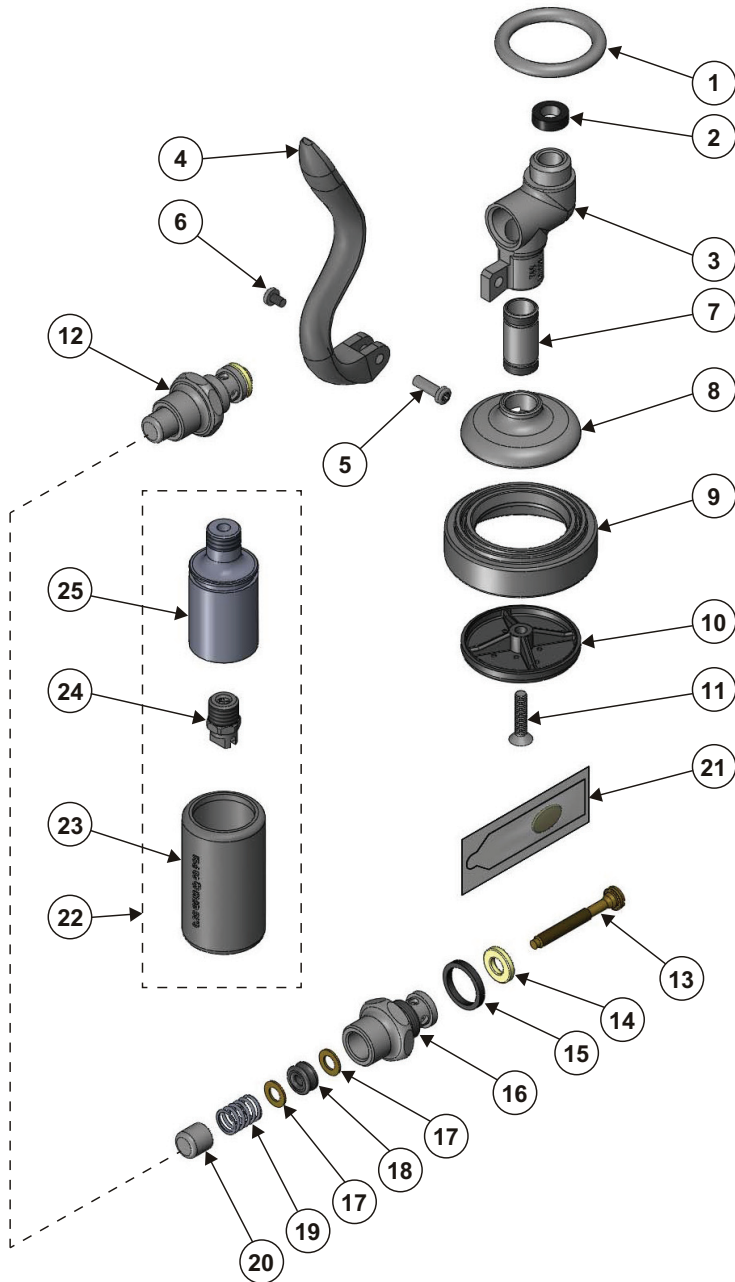
# Installation and Maintenance Instructions



## **Pre-Rinse Spray Valve**

- |                 |                  |
|-----------------|------------------|
| <b>B-0107</b>   | <b>UK-0107</b>   |
| <b>B-0107-C</b> | <b>UK-10K</b>    |
| <b>B-0107-J</b> | <b>EB-0107</b>   |
| <b>B-10K</b>    | <b>EB-0107-C</b> |
| <b>B-10K-C</b>  | <b>EB-0107-J</b> |
| <b>B-10K-J</b>  | <b>EB-10K</b>    |
|                 | <b>EB-10K-C</b>  |
|                 | <b>EB-10K-J</b>  |

# Exploded View



# Grey Part Number Guide

## PARTS KIT

### PARTS FOR ANY GREY T&S SPRAY VALVE

1,2,3	1	Ring, Hold Down	000907-45
	2	#27 Washer	010476-45
	3	Body, Spray Valve	000065-40
	4	Grey Handle	001120-45
	5	Nut, Handle	003198-45
	6	Screw, Handle	003199-45

### PARTS FOR ANY GREY BONNET ASSEMBLY

1,2,3	12	Bonnet Assembly	002856-40
	13	Stem	009306-20
1,2,3	14	Washer, Seat	012915-45
1,2,3	15	Washer, Bonnet Binding	001040-45
1,2,3	16	Bonnet	000608-25
	17	Washer, Bonnet Brass	000974-45
1,2,3	18	Stem, Packing	001100-45
1,2,3	19	Spring, Bonnet	000895-45
1,2,3	20	Push Button	000753-25
	21	Grease Pack	012665-45

### GREY SPRAY VALVES

<b>B-0107 (1.42 GPM)</b>			
1	7	Nipple	000694-40
	8	Cup, Spray	000019-40
	9	Ring, Sprayhead	007861-45
	10	1.42 GPM Sprayface	001121-45
1	11	Screw, Sprayface	000913-45
<b>B-0107-C (0.65 GPM)</b>			
2	22	Assembly, B-0107C Spray Nozzle	002662-40
	23	0.65 GPM Grey Shield (No Outline Around Lettering)	002659-45
	24	0.65 GPM Spray Nozzle (0.65 Stamped on Face)	N/A
<b>B-0107-J (1.07 GPM)</b>			
3	22	Assembly, B-0107-J Spray Nozzle	N/A
	23	1.07 GPM Grey Shield (Square Outline)	018292-45
	24	1.07 GPM Spray Nozzle (1.07 Stamped on Face)	N/A
	25	Nozzle Holder	N/A

- #1 Parts included in B-10K
- #2 Parts included in B-10K-C
- #3 Parts included in B-10K-J

# Blue Part Number Guide

## PARTS KIT

### PARTS FOR ANY BLUE T&S SPRAY VALVE

4,5,6,7	1	Ring, Hold Down	000907-45
	2	#27 Washer	010476-45
	3	Body, Spray Valve	000065-40
	4	Blue Handle	011454-45
	5	Nut, Handle	003198-45
	6	Screw, Handle	003199-45

### PARTS FOR ANY BLUE BONNET ASSEMBLY

4,5,6,7 4,5,6,7 4,5,6,7 4,5,6,7 4,5,6,7 4,5,6,7 4,5,6,7	12	Bonnet Assembly	010594-40
	13	Stem	009306-20
	14	Washer, Seat	010563-45
	15	Washer, Bonnet Binding	010565-45
	16	Bonnet	000608-25
	17	Washer, Bonnet Brass	000974-45
	18	Quad Seal	014615-45
	19	Spring, Bonnet	000895-45
	20	Push Button	000753-25
	21	Grease Pack	010573-45

### BLUE SPRAY VALVES

<b>EB-0107 &amp; UK-0107 Only</b>			
4,7 4,7	7	Nipple	000694-40
	8	Cup, Spray	000019-40
	9	Ring, Sprayhead	011475-45
	11	Screw, Sprayface	000913-45
4	10	4-6 GPM Sprayface ( <b>No Wording on Face</b> )	011456-45
	10	1.42 GPM Sprayface ( <b>Flow Rate on Face</b> )	017288-45
5	<b>EB-0107-C (0.65 GPM)</b>		
	22	Assembly, EB-0107C Spray Nozzle	N/A
	23	0.65 GPM Blue Shield ( <b>No Outline Around Lettering</b> )	011499-45
	24	0.65 GPM Spray Nozzle ( <b>0.65 Stamped on Face</b> )	N/A
6	<b>EB-0107-J (1.07 GPM)</b>		
	22	Assembly, EB-0107-J Spray Nozzle	N/A
	23	1.07 GPM Blue Shield ( <b>Square Outline</b> )	018293-45
	24	1.07 GPM Spray Nozzle ( <b>1.07 Stamped on Face</b> )	N/A
	25	Nozzle Holder	N/A

#4 Parts included in EB-10K

#5 Parts included in EB-10K-C

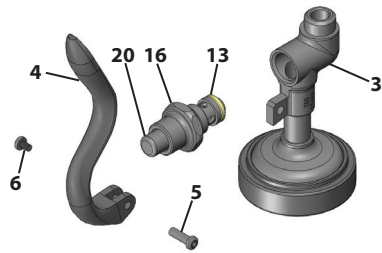
#6 Parts included in EB-10K-J

#7 Parts included in UK-10K

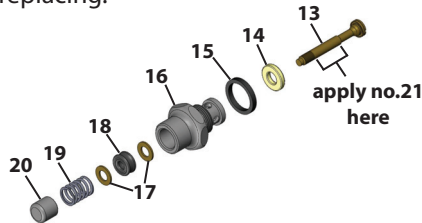
# General Instructions

## To replace worn parts:

1. Shut off water supply and drain lines. For ease of disassembly and reassembly, the *handle grip* can be removed from no.3.
2. Unscrew no.5 and no.6 to remove no.4. Unscrew and remove no.16 from no.3.
3. Hold no.20 with pliers in one hand, and with screwdriver, carefully unscrew no.13 from no.16.



4. Apply no.21 over smooth portion of no.13. Replace no.14, no.15, no.17, no.18 & no.19 with new parts. Dab no.21 onto valve side of no.19 before replacing.



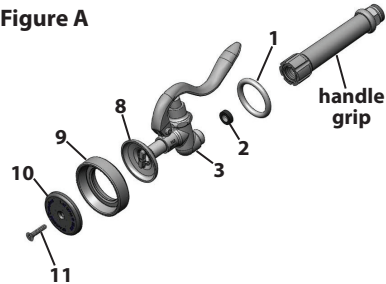
5. Reassemble no.16 by inserting no.13 through all parts. Hold no.20 with pliers, and carefully screw no.13 into no.20 until screw feels tight. Do not use excessive force.
6. Reinsert no.16 in no.3 and tighten securely.
7. Reassemble no.4, no.5 and no.6 on no.3.

8. **For EB-0107/UK-0107 & B-0107 ONLY:** To replace no.9, unscrew no.11 and disassemble. Make sure the groove side of no.9 fits over no.8, and no.10 rest on ridge side. See Figure A.

9. To replace no.2, unscrew handle grip from no.3 and replace with new no.2.

10. Reassemble; turn on water check for leaks.

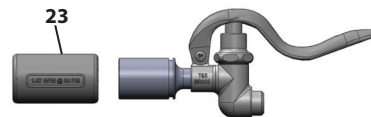
Figure A



11. **For EB-0107-C, EB-0107-J, B-0107-C & B-0107-J ONLY:** To replace no.23, slide no.23 off no.25, and slide a new no.23 back onto no.25. No.23 will snap into groove on no.25. See Figure B.

\* **Verify the flow rate on no.23 matches spray tip inside no.25.**

Figure B



**Caution: Turn off water supply at base faucet when not in use.**



**RELATED T&S BRASS PRODUCT LINE**



**B-0108  
JeTSpray  
Spray Valve**



**B-0108-C  
JeTSpray  
Low Flow  
Spray Valve**

---

**T&S BRASS AND BRONZE WORKS, INC.**

A firm commitment to application-engineered plumbing products

2 Saddleback Cove, P.O. Box 1088,  
Travelers Rest, SC 29690

Phone: (864) 834-4102  
Fax: (864) 834-3518

E-mail: [tsbrass@tsbrass.com](mailto:tsbrass@tsbrass.com)

T & S Brass-Europe  
'De Veenhoeve'  
Oude Nieuwveenseweg 84  
2441 CW Nieuwveen

The Netherlands



**RELIABILITY BUILT IN™**



#### Limited One Year Warranty

T&S warrants to the original purchaser (other than for purposes of resale) that such product is free from defects in material and workmanship for a period of one (1) year from the date of purchase. During this one-year warranty period, if the product is found to be defective, T&S shall, at its options, repair and/or replace it. To obtain warranty service, products must be returned to...

*T&S Brass and Bronze Works, Inc.  
Attn: Warranty Repair Department  
2 Saddleback Cove  
Travelers Rest, SC 29690*

Shipping, freight, insurance, and other transportation charges of the product to T&S and the return of repaired or replaced product to the purchaser are the responsibility of the purchaser. Repair and/or replacement shall be made within a reasonable time after receipt by T&S of the returned product. This warranty does not cover items which have received secondary finishing or have been altered or modified after purchase, or for defects caused by physical abuse to or misuse of the product, or shipment of the products.

Any express warranty not provided herein, and any remedy for Breach of Contract which might arise, is hereby excluded and disclaimed. Any implied warranties of merchantability or fitness for a particular purpose are limited to one year in duration. Under no circumstances shall T&S be liable for loss of use or any special consequential costs, expenses or damages.

Some states do not allow limitations on how long an implied warranty lasts or the exclusion or limitation of incidental or consequential damages, so the above limitations or exclusions may not apply to you. Specific rights under this warranty and other rights vary from state to state.

P/N: 098-015971-45 Rev. 2  
Date: 08-26-10  
Drawn: TEH  
Checked: JRM 10-07-10  
Approved: JHB 10-08-10

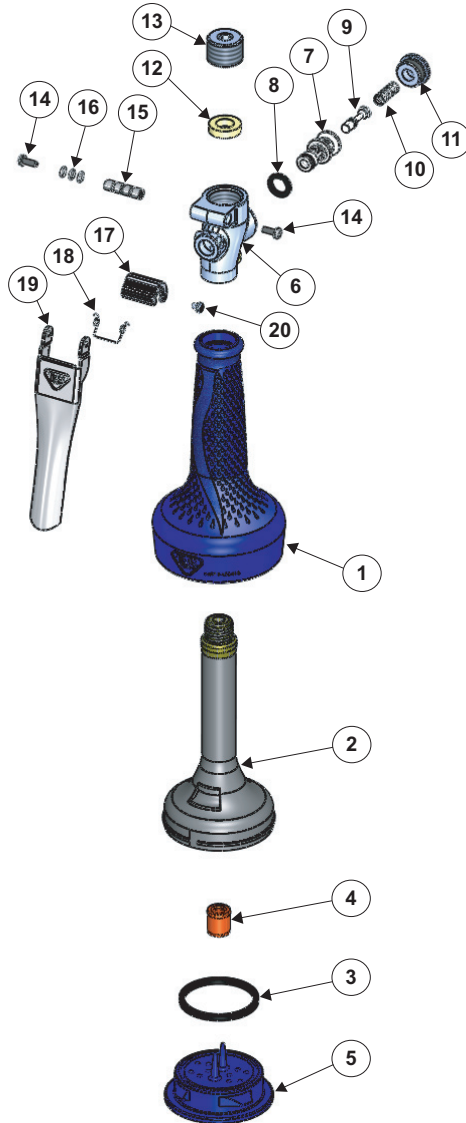
# Installation and Maintenance Instructions



## B-0108 Series SPRAY VALVE

US Patent #7,150,415  
& International Patents

# Exploded View



\* Some items are listed for instructional purposes and may not be sold as separate parts.

# Part Number Guide

## ***B-0108 Spray Valve***

1	Grip, Spray Valve	*
2	Bugle, Spray Valve	*
3	Washer	*
4	Check Valve	*
5	Spray Face, Spray Valve	*
6	Body, Spray Valve	*
7	Liner, Spray Valve	*
8	Face Seal, Spray Valve	*
9	Stem Asm, Spray Valve	*
10	Spring, Compression	*
11	Plug, Spray Valve	*
12	Screen, Spray Valve	*
13	Close Nipple	*
14	Screws	*
15	Pivot Pin, Spray Valve	*
16	O-Rings, Pivot Pin	*
17	Trigger Catch, Spray Valve	*
18	Torsion Spring, Trigger Lock	*
19	Trigger, Spray Valve	*
20	Screw, Trigger Lock	*

## ***B-0108 Repair Kits***

Pg 5	Valve Repair Kit	108V-RK
Pg 6	Trigger Repair Kit	108T-RK
Pg 7	Inlet Screen/Washer Repair Kit	108S-RK
Pg 8	EPAct 0.65 GPM Low Flow Spray Face Repair Kit	108CSF-RK
Pg 9	High Flow Spray Face Repair Kit	108HSF-RK
Pg 9	EPAct 1.48 GPM Spray Face Repair Kit	108SF-RK

# General Instructions

## Installation:

1. Shut off water supply and drain lines.
2. Remove old spray valve from hose, including handle if applicable. (See images 1 & 2)  
Note: Make sure that the hose washer is still in place inside the hose barrel before installing your new Jet Spray valve.
3. Install your new Jet Spray valve by threading top of valve into hose barrel. Tighten with a pair of pliers or wrench if necessary. (See images 3 & 4)

Image 1



Image 2



Image 3



Image 4



## Operation:

1. To activate Jet Spray valve, squeeze stainless steel trigger lever against grip. (See image 5)

*Optional: For continued flow, press the trigger lever and pull the metal latch over the top of the trigger lever and release. (See image 6)*

2. To deactivate Jet Spray valve, release trigger lever. (See image 7)

*Note: If trigger catch is engaged, squeeze trigger lever and release to deactivate.*

Image 5



Image 6



Image 7



**Caution:** Your Jet Spray valve produces a powerful water spray. Never aim at a person or use for any purpose other than intended.

# General Instructions

1/4" Spanner Bit (1)



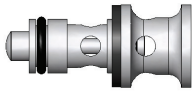
End Plug Assembly (1)



DC-111 Silicone Grease (1)

Dow Corning 111  
Silicone O-Ring  
Lubricant

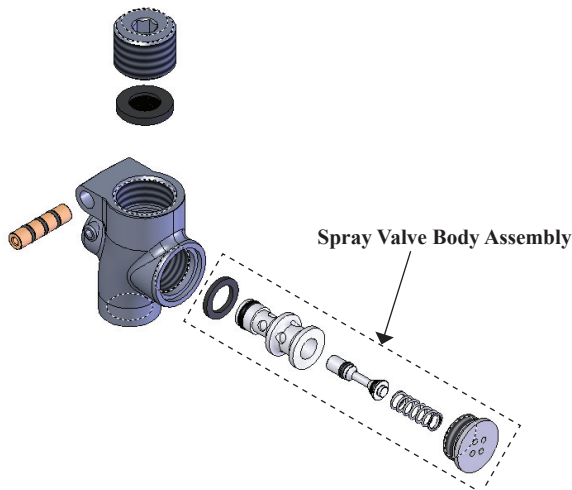
Valve Repair Assembly (1)



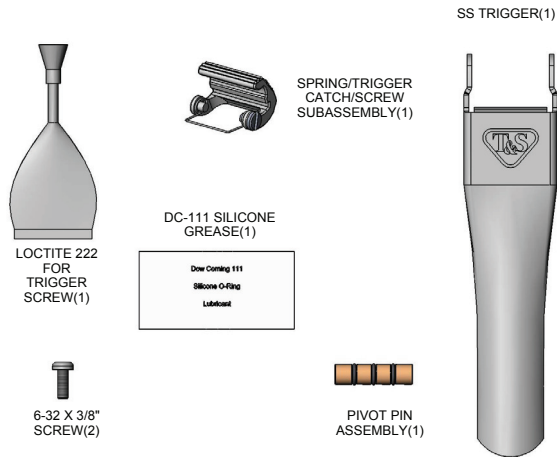
Compression Spring (1)

## B-0108 Valve Repair Kit -- 108V-RK

1. Shut off water supply to spray valve.
2. Using the 1/4" spanner bit, unscrew the end plug.
- Note: Be careful in removing end plug; the spring behind end plug is under compression.
3. Remove the end plug and spring carefully followed by the other three pieces of the valve assembly. Use of a small flat end screwdriver may be needed to push out assembly from under the trigger lever.
4. Place DC-111 silicone grease on all o-ring seals on valve assembly. Place into valve housing.
5. Locate spring into hole of valve assembly and recess in the end cap.
6. Carefully screw end plug into place using the 1/4" spanner bit.

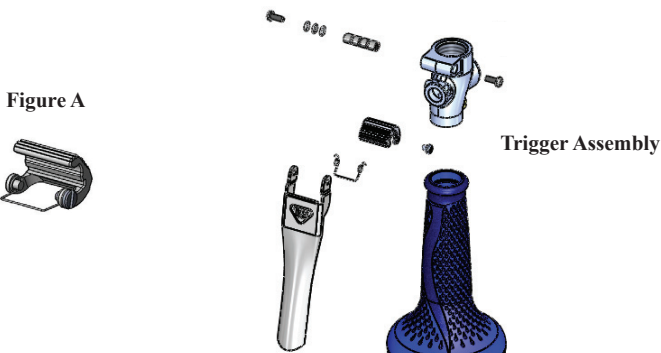


# General Instructions



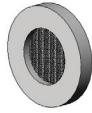
## B-0108 Trigger Repair Kit -- 108T-RK

1. Shut off water supply to spray valve.
2. Using two phillips head screwdrivers, remove the two screws retaining the trigger handle.
3. Remove the trigger handle and using a screwdriver, gently push the pivot pin out of the body.
4. Unscrew screw in trigger lock. Remove trigger lock.
5. Make sure torsion spring is orientated with spring hooks facing up as shown in Figure A below.
6. Place pin in valve body Apply 222 to threads of screw and screw through trigger catch into valve body.
7. Apply silicone grease to o-rings on pivot pin and gently slide into valve body.
8. Locate trigger handle in place, line up the screw holes with the pivot pin assembly & secure on each side with a screw.
9. To check functionality, depress trigger handle and engage trigger catch. Depress trigger handle to disengage trigger catch.



# General Instructions

Inlet Filter (1)

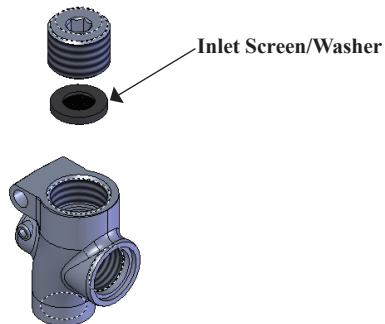


Loctite 222 (1)

## B-0108 Inlet Screen/Washer Repair Kit -- 108S-RK

To replace the inlet screen/washer between the top of the valve body and the 7/8"-20 adapter.

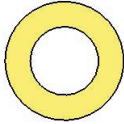
1. Shut off water supply to spray valve.
2. By inserting a 3/8" L-wrench into the 7/8"-20 adapter, unscrew and remove the adapter as well as the screen and washer.
3. Insert new one-piece screen/washer into valve body.
4. Place Loctite 222 on the threads of the 7/8"-20 adapter and install adapter, using the 3/8" L-wrench to tighten.
5. Turn water on to spray valve and check for leaks.



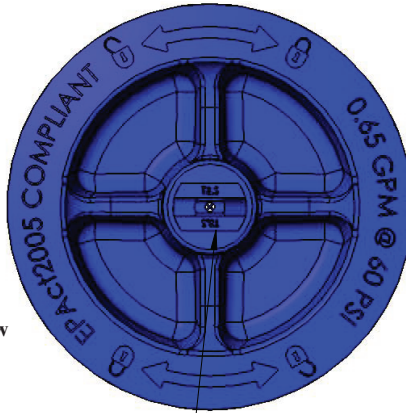


# General Instructions

Washer (1)



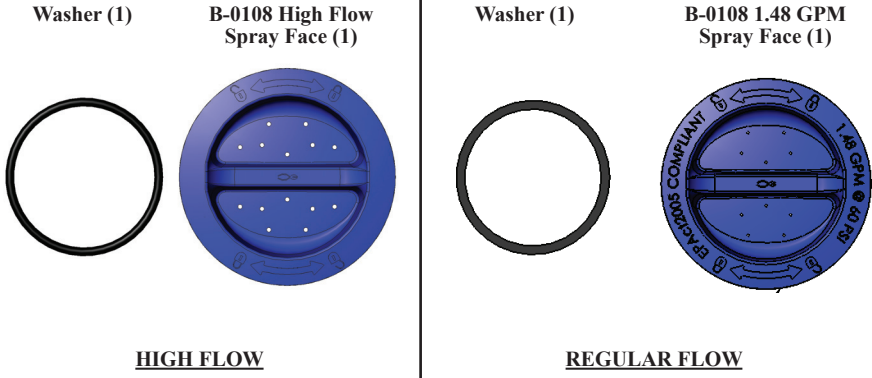
B-0108 Low Flow  
Spray Face (1)



## **B-0108 Low Flow Spray Face Repair Kit -- 108CSF-RK EPA2005 Compliant 0.65 GPM Fan Spray Repair Kit**

1. Shut off water supply to spray valve.
2. With hand or pliers, use center ribs to turn the spray face counter-clockwise and remove spray face and washer.
3. Place new washer in recess on top inside of new spray face.
4. Holding spray face horizontal with washer facing up, place spray face into spray valve and secure by rotating clock-wise until tight. Pliers may be used for this, but do not over-tighten and be careful not to damage nozzle.
5. Turn water on to spray valve and check for leaks.

# General Instructions



## B-0108 Spray Face Repair Kits

**108HSF-RK -- High Flow Spray Face**

**108SF-RK -- EPA Act 2005 Compliant 1.48 GPM Spray Face**

1. Shut off water supply to spray valve.
2. With hand or pliers, use center rib to turn the spray face counter-clockwise and remove spray face and washer.
3. Place new washer in groove of new spray face.
4. Holding spray face horizontal with washer surface facing up, place spray face into spray valve and secure by rotating clock-wise until tight. Pliers may be used for this, but do not over-tighten.
5. Turn water on to spray valve and check for leaks.



**Spray Face Assembly**

## RELATED T&S BRASS PRODUCT LINE



**B-0107**  
Pre-Rinse Spray Valve  
1.42 GPM - EPAAct 2005 Compliant



**B-0107-C**  
Low Flow Pre-Rinse Spray Valve  
0.65 GPM - EPAAct 2005 Compliant

---

## T&S BRASS AND BRONZE WORKS, INC.

A firm commitment to application-engineered plumbing products

2 Saddleback Cove, P.O. Box 1088,  
Travelers Rest, SC 29690

Phone: (864) 834-4102

Fax: (864) 834-3518

E-mail: [tsbrass@tsbrass.com](mailto:tsbrass@tsbrass.com)

T & S Brass-Europe

'De Veenhoeve'

Oude Nieuwveenseweg 84

2441 CW Nieuwveen

The Netherlands



RELIABILITY BUILT IN™