

T&S BRASS AND BRONZE WORKS, INC.
 2 Saddleback Cove / P.O. Box 1088
 Travelers Rest, SC 29690

Model No.
B-7245

Item No.

Travelers Rest, SC: 800-476-4103 • Simi Valley, CA: 800-423-0150 • Fax: 864-834-3518 • www.tsbrass.com

This Space for Architect/Engineer Approval

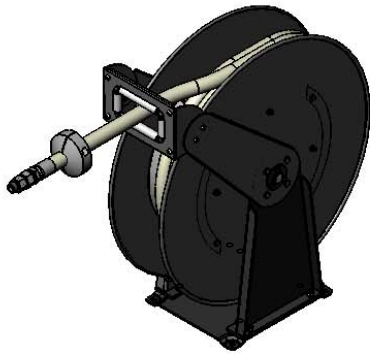
Job Name _____ Date _____

Model Specified _____ Quantity _____

Customer/Wholesaler _____

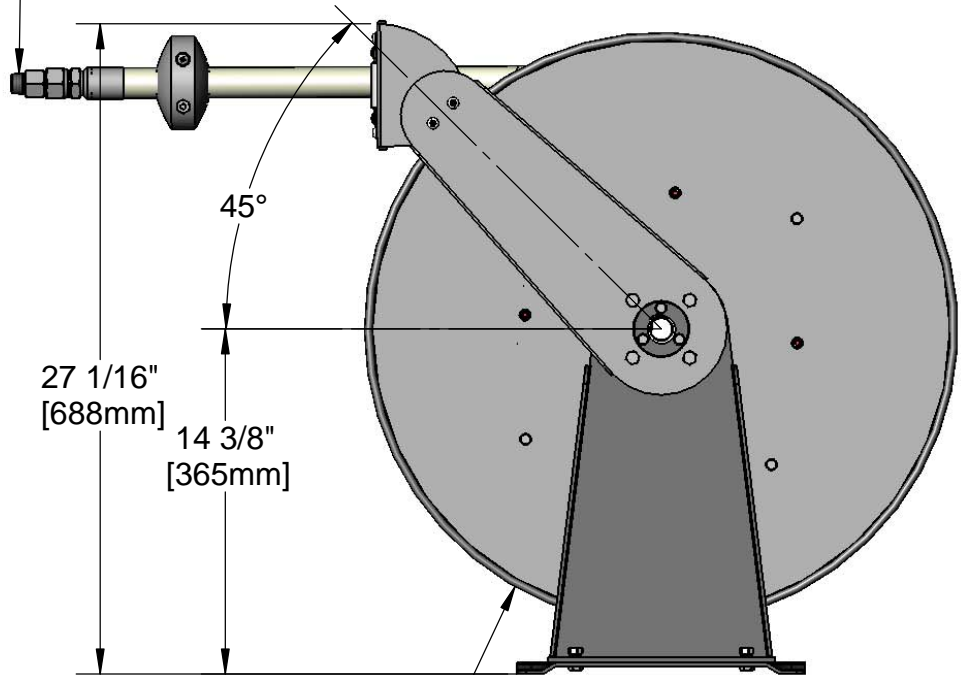
Contractor _____

Architect/Engineer _____



1/2" NPT
Male Outlet

3/4" NPT
Female
Inlet



3/4" x 50'
Hose Not
Shown

5 5/8"
[143mm]

Ø 24 1/2"
[622mm]

12"
[305mm]

11"
[279mm]

Ø 1/2"
[13mm]

10 5/16"
[262mm]

9 5/16"
[237mm]

Product Specifications:
 Epoxy Coated Open Hose Reel w/ 3/4" x 50' Creamery
 Hose & Double Arm Support

Product Compliance:
 NSF 61 Exempt (Non-Potable)



T&S BRASS AND BRONZE WORKS, INC.
 2 Saddleback Cove / P.O. Box 1088
 Travelers Rest, SC 29690

Model No.
B-7245-03

Item No.

Travelers Rest, SC: 800-476-4103 • Simi Valley, CA: 800-423-0150 • Fax: 864-834-3518 • www.tsbrass.com

This Space for Architect/Engineer Approval

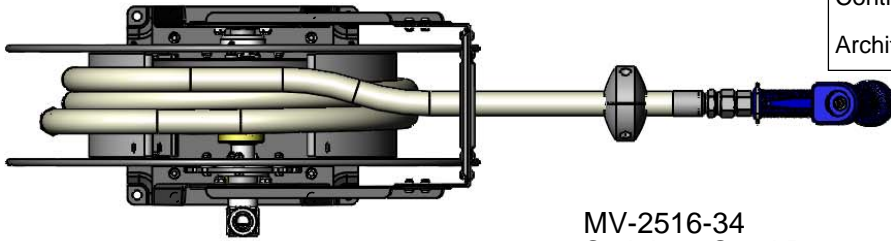
Job Name _____ Date _____

Model Specified _____ Quantity _____

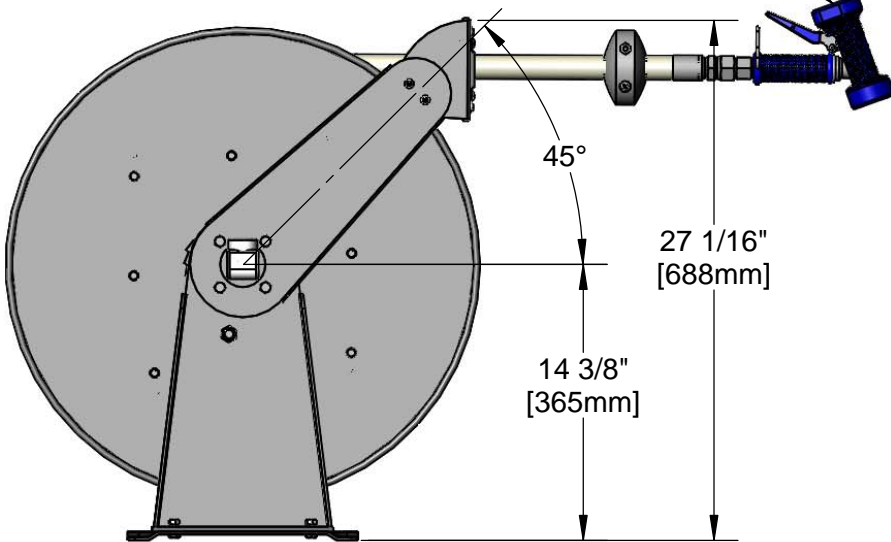
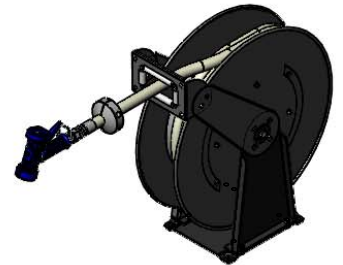
Customer/Wholesaler _____

Contractor _____

Architect/Engineer _____



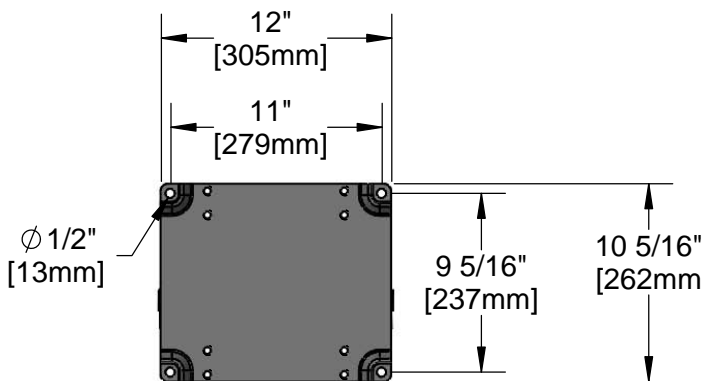
MV-2516-34
 Stainless Steel Rear
 Trigger Water Gun w/
 7/16" Orifice



3/4" NPT
 Female
 Inlet

3/4" x 50'
 Hose

5 5/8"
 [143mm]



Product Specifications:
 3/4" x 50' Open Coated Reel, Creamery Hose, Stainless Steel
 Rear Trigger Water Gun, 7/16" Orifice & Double Arm Support

Product Compliance:
 NSF 61 Exempt (Non-Potable)

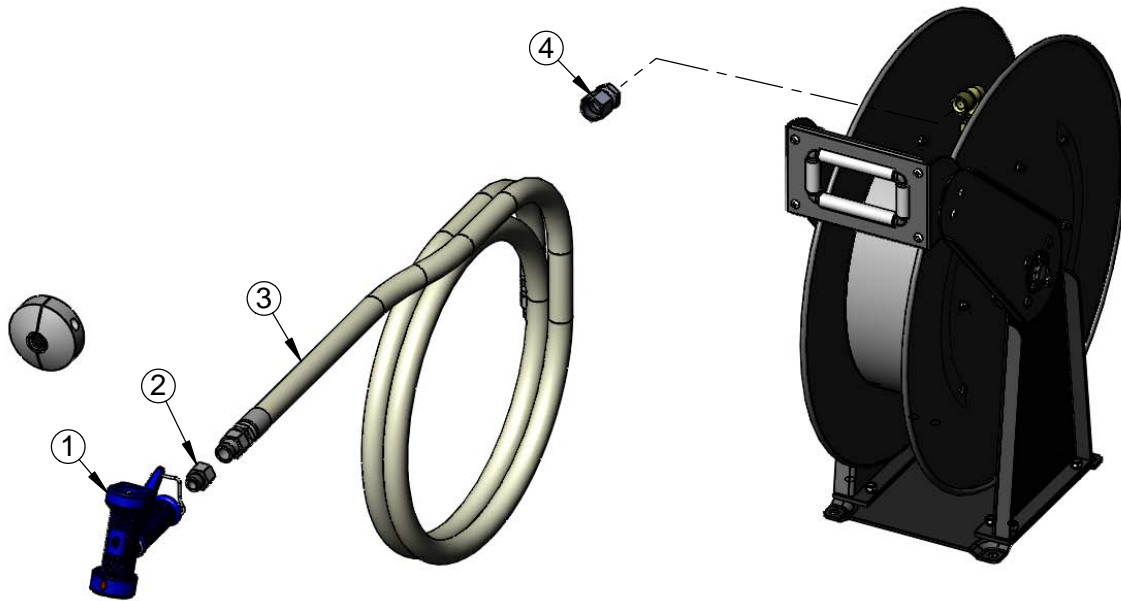


T&S BRASS AND BRONZE WORKS, INC.
 2 Saddleback Cove / P.O. Box 1088
 Travelers Rest, SC 29690

Model No.
B-7245-03
 Item No.

Travelers Rest, SC: 800-476-4103 • Simi Valley, CA: 800-423-0150 • Fax: 864-834-3518 • www.tsbrass.com

| ITEM NO. | SALES NO. | DESCRIPTION |
|----------|------------|---|
| 1 | MV-2516-34 | Front Trigger Gun, 7/16" Orifice |
| 2 | 006112-25 | Adapter, 3/4" NPT Female x 1/2" NPT Male |
| 3 | 004980-40 | 50' of 3/4" Creamery Hose |
| 4 | 015713-45 | Swivel Connector, 3/4" NPT Female x 3/4" NPT Female |



Product Specifications:
 3/4" x 50' Open Coated Reel, Creamery Hose, Stainless Steel
 Rear Trigger Water Gun, 7/16" Orifice & Double Arm Support

Product Compliance:
 NSF 61 Exempt (Non-Potable)



T&S BRASS AND BRONZE WORKS, INC.
 2 Saddleback Cove / P.O. Box 1088
 Travelers Rest, SC 29690

Model No.
B-7245-06

Item No.

Travelers Rest, SC: 800-476-4103 • Simi Valley, CA: 800-423-0150 • Fax: 864-834-3518 • www.tsbrass.com

This Space for Architect/Engineer Approval

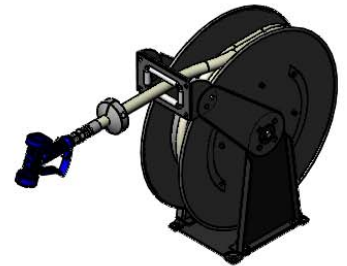
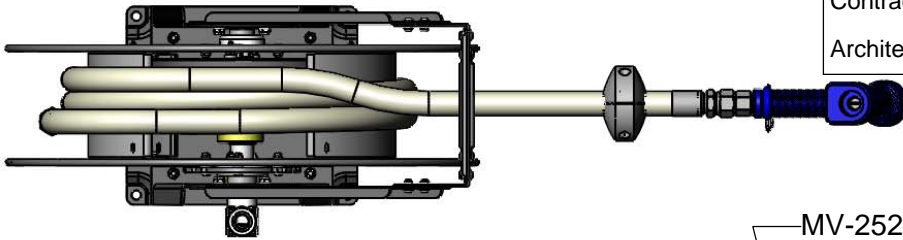
Job Name _____ Date _____

Model Specified _____ Quantity _____

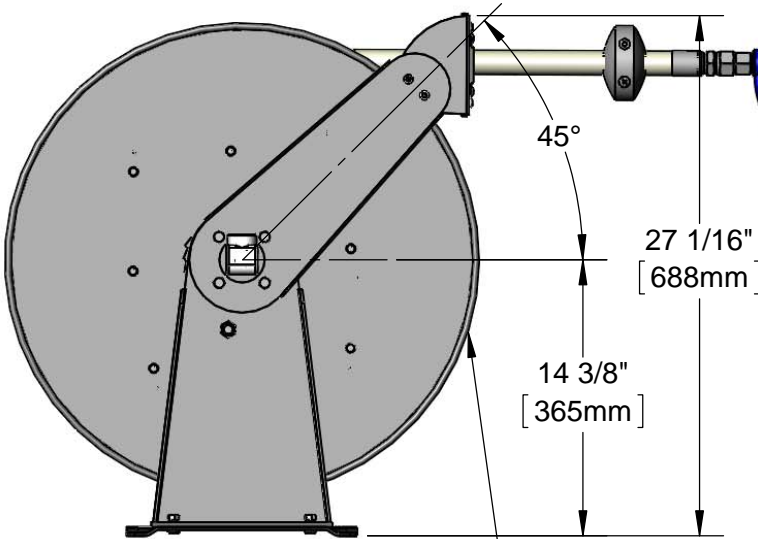
Customer/Wholesaler _____

Contractor _____

Architect/Engineer _____



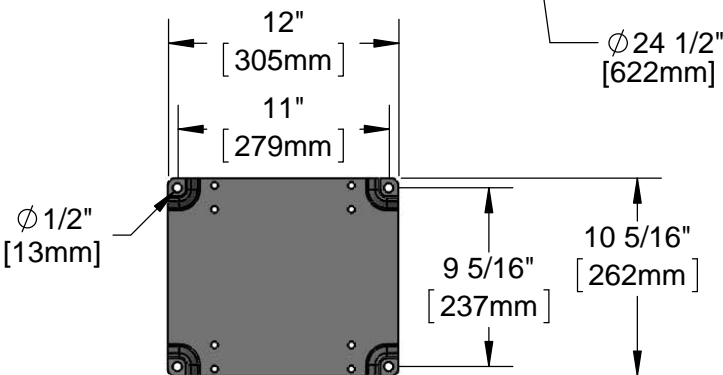
MV-2522-34
 Stainless Steel Front
 Trigger Water Gun w/
 7/16" Orifice



3/4" NPT
 Female
 Inlet

3/4" x 50'
 Hose

5 5/8"
 [143mm]



Product Specifications:
 3/4" x 50' Open Coated Reel, Creamery Hose, Stainless Steel
 Front Trigger Water Gun, 7/16" Orifice & Double Arm Support

Product Compliance:
 NSF 61 Exempt (Non-Potable)



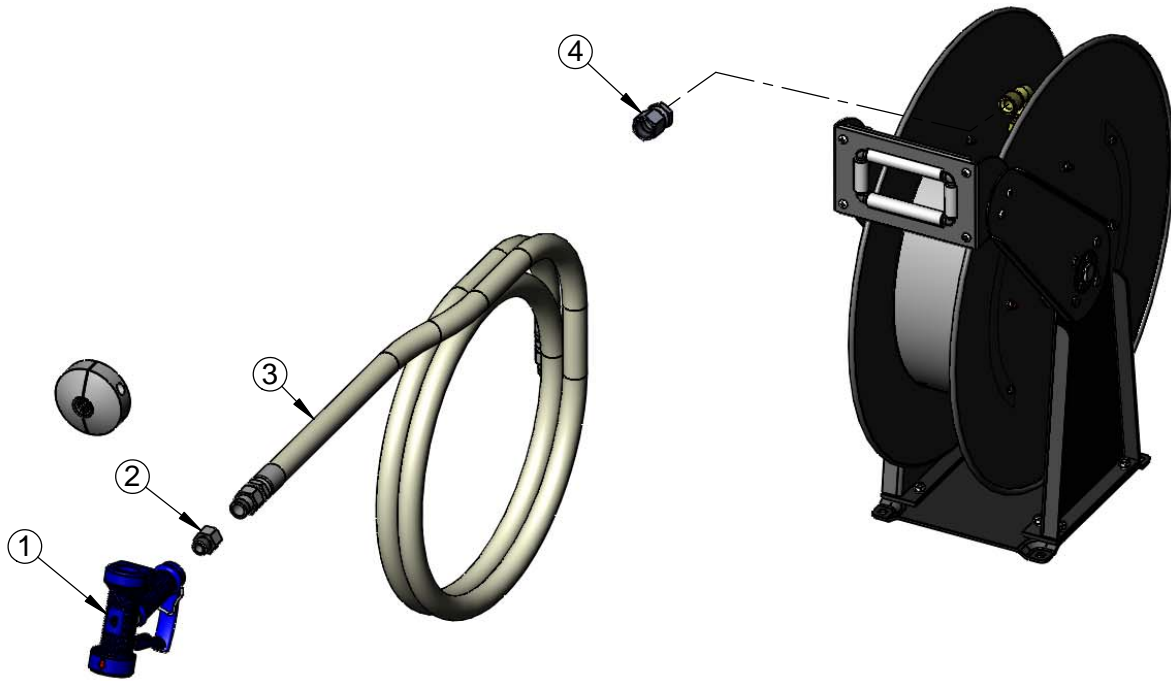
T&S BRASS AND BRONZE WORKS, INC.
 2 Saddleback Cove / P.O. Box 1088
 Travelers Rest, SC 29690

Model No.
B-7245-06

Item No.

Travelers Rest, SC: 800-476-4103 • Simi Valley, CA: 800-423-0150 • Fax: 864-834-3518 • www.tsbrass.com

| ITEM NO. | SALES NO. | DESCRIPTION |
|----------|------------|---|
| 1 | MV-2522-34 | Front Trigger Gun, 7/16" Orifice |
| 2 | 006112-25 | Adapter, 3/4" NPT Female x 1/2" NPT Male |
| 3 | 004980-40 | 50' of 3/4" Creamery Hose |
| 4 | 015713-45 | Swivel Connector, 3/4" NPT Female x 3/4" NPT Female |



Product Specifications:
 3/4" x 50' Open Coated Reel, Creamery Hose, Stainless Steel
 Front Trigger Water Gun, 7/16" Orifice & Double Arm Support

Product Compliance:
 NSF 61 Exempt (Non-Potable)



T&S BRASS AND BRONZE WORKS, INC.

2 Saddleback Cove / P.O. Box 1088
Travelers Rest, SC 29690



REG. #A2601
ISO #9001

Model No.
B-7245-07

Item No.

Travelers Rest, SC: 800-476-4103 Simi Valley, CA: 800-423-0150 Fax: 864-834-3518 www.tsbrass.com

This Space for Architect/Engineer Approval

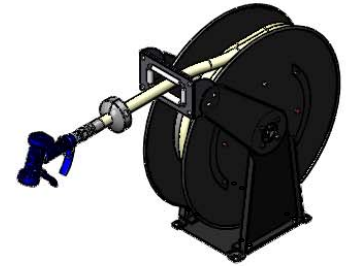
Job Name _____ Date _____

Model Specified _____ Quantity _____

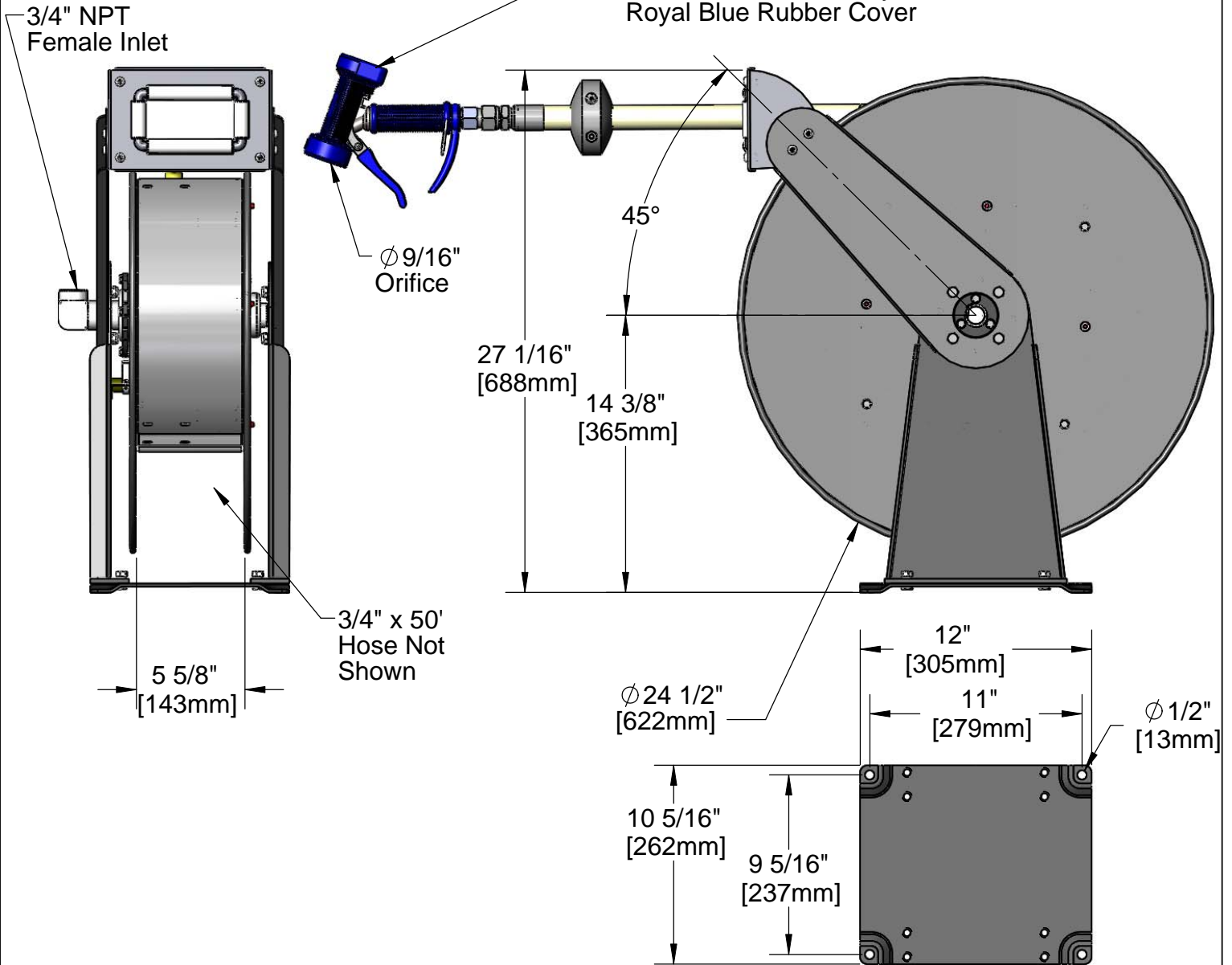
Customer/Wholesaler _____

Contractor _____

Architect/Engineer _____



MV-2522-44
Front Trigger Water Gun
w/ Stainless Steel Body &
Royal Blue Rubber Cover



Product Specifications:

**Epoxy Coated Open Hose Reel w/ 3/4" x 50' Creamery
Hose, MV-2522-44 Front Trigger Water Gun & Double
Arm Support**

| | | |
|---------------|----------------|-------------------|
| Drawn KJG | Checked DMH | Approved JHB |
| Scale: 1:8 | | Date: 09/01/10 |



T&S BRASS AND BRONZE WORKS, INC.

2 Saddleback Cove / P.O. Box 1088
Travelers Rest, SC 29690

Model No.

B-7245-NH

Item No.

Travelers Rest, SC: 800-476-4103 • Simi Valley, CA: 800-423-0150 • Fax: 864-834-3518 • www.tsbrass.com

This Space for Architect/Engineer Approval

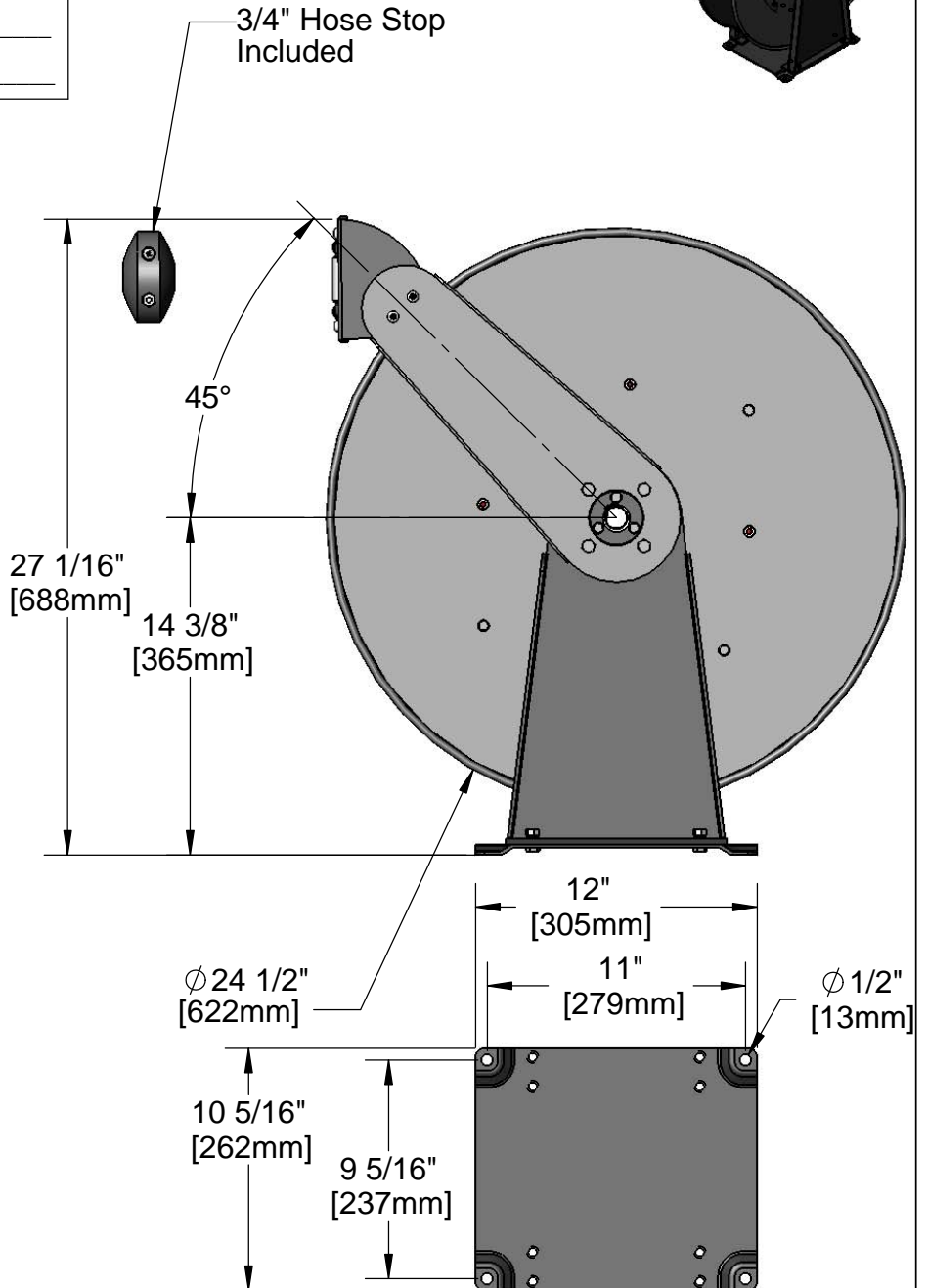
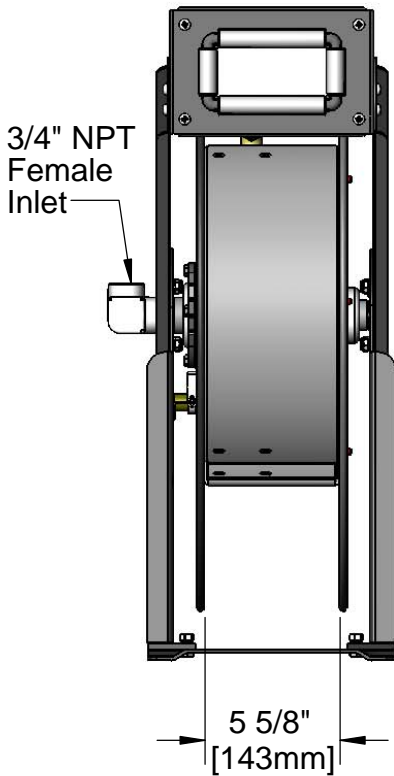
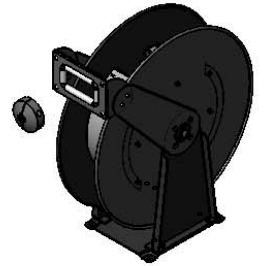
Job Name _____ Date _____

Model Specified _____ Quantity _____

Customer/Wholesaler _____

Contractor _____

Architect/Engineer _____



Product Specifications:
Epoxy Coated Open Hose Reel w/ Double Arm Support & 3/4" Hose Coupling

| | | |
|----------------------|-----------------------|--------------------------|
| Drawn JRM | Checked DHL | Approved JHB |
| Scale: 1:8 | | Date: 04/05/12 |