



T&S BRASS AND BRONZE WORKS, INC.
 2 Saddleback Cove / P.O. Box 1088
 Travelers Rest, SC 29690

Model No.
B-7242-C01

Item No.

Travelers Rest, SC: 800-476-4103 • Simi Valley, CA: 800-423-0150 • Fax: 864-834-3518 • www.tsbrass.com

This Space for Architect/Engineer Approval

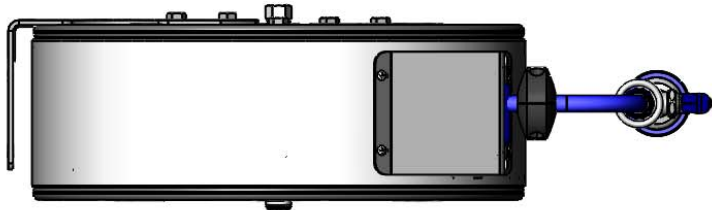
Job Name _____ Date _____

Model Specified _____ Quantity _____

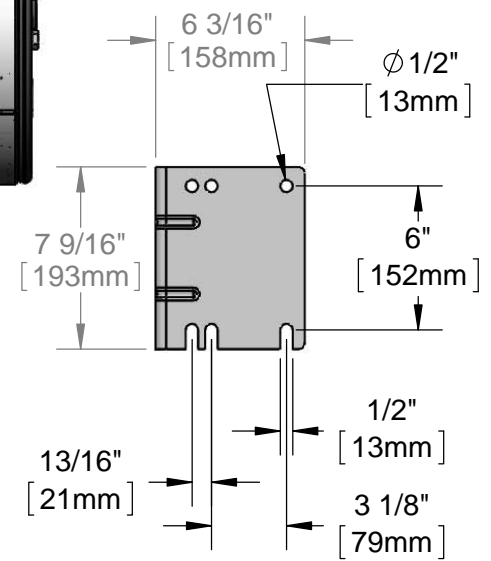
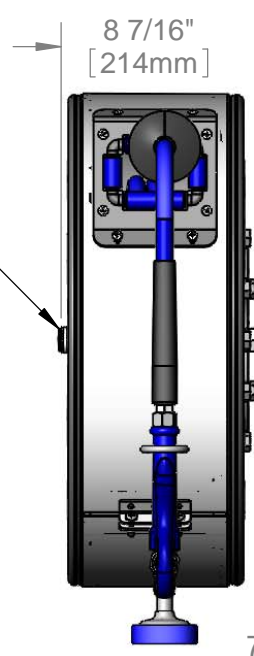
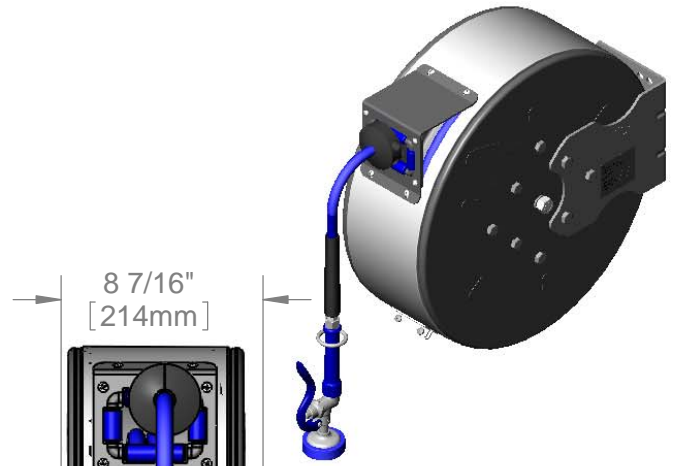
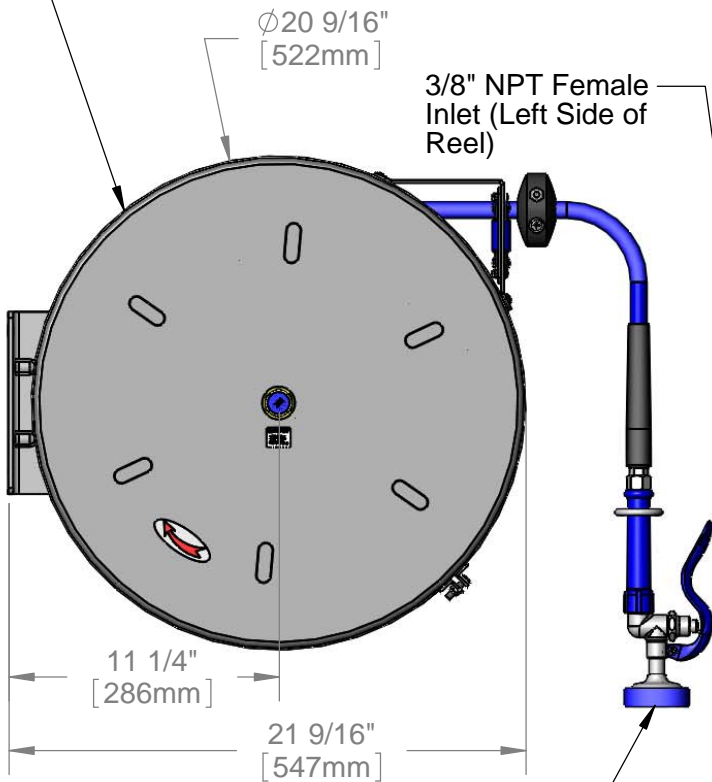
Customer/Wholesaler _____

Contractor _____

Architect/Engineer _____



Enclosed Coated Hose Reel;
 50 Ft. of 3/8" Hose



EB-0107
 High Flow
 Spray Valve

Product Specifications:
 Hose Reel System:
 3/8" x 50 Ft. Enclosed Coated Reel w/ High Flow Spray Valve

Drawn DHL	Checked DMH	Approved JHB
Scale: 1:8		Date: 02/21/14



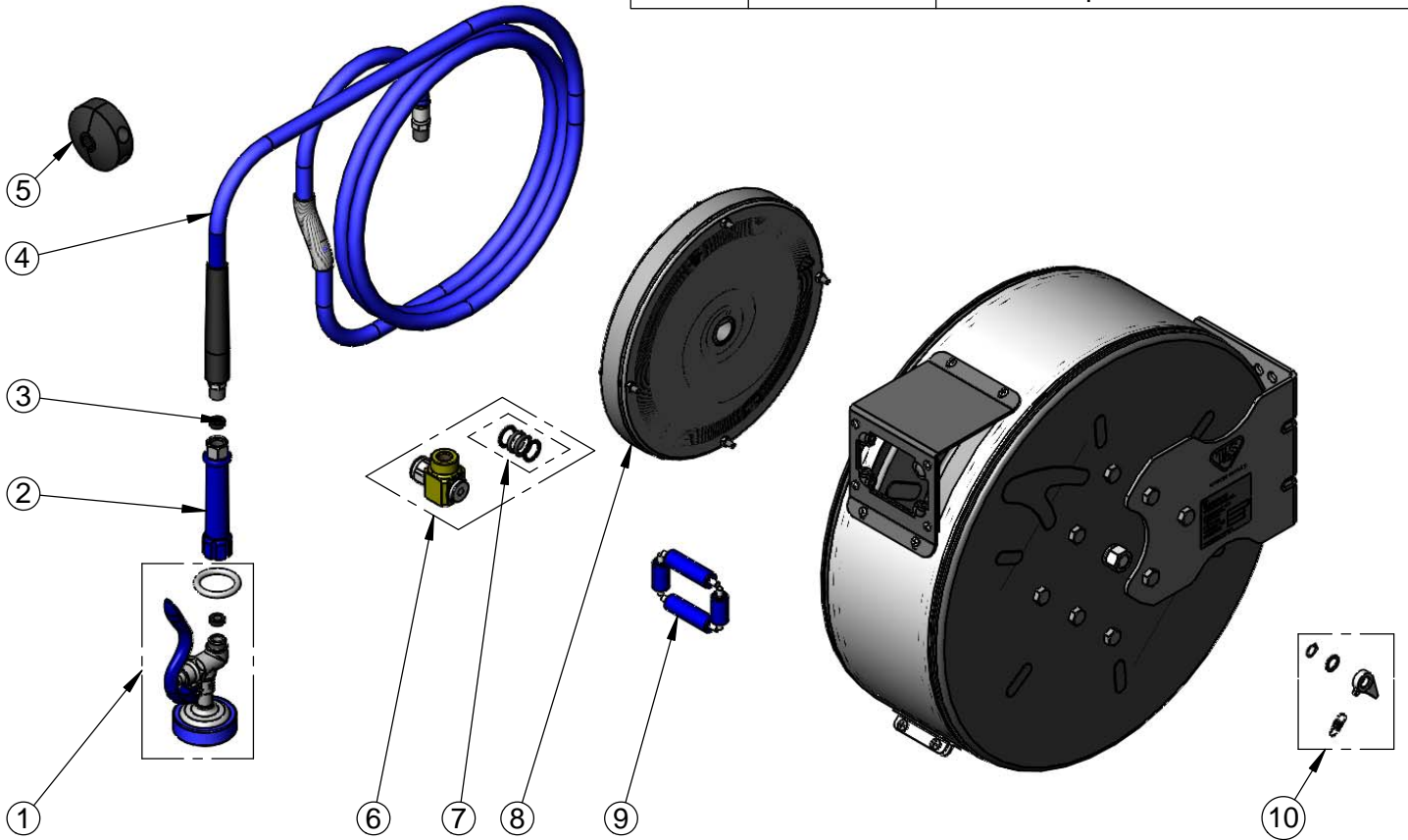
T&S BRASS AND BRONZE WORKS, INC.
 2 Saddleback Cove / P.O. Box 1088
 Travelers Rest, SC 29690

Model No.
B-7242-C01

Item No.

Travelers Rest, SC: 800-476-4103 • Simi Valley, CA: 800-423-0150 • Fax: 864-834-3518 • www.tsbrass.com

ITEM NO.	SALES NO.	DESCRIPTION
1	EB-0107	High Flow Spray Valve
2	012504-40	Blue Grip Handle
3	010476-45	#27 Washer
4	014942-45	3/8" x 50' Hose Replacement Kit
5	014949-45	Hose Stop Repair Kit
6	014946-45	3/8" Swivel Repair Kit
7	014948-45	O-Ring Replacement Kit
8	014934-45	Large Coated Spring Assembly
9	014937-45	Roller Replacement Kit
10	014940-45	Ratchet Repair Kit



Product Specifications:
 Hose Reel System:
 3/8" x 50 Ft. Enclosed Coated Reel w/ High Flow Spray Valve

Drawn DHL	Checked DMH	Approved JHB
Scale: NTS		Date: 02/21/14



T&S BRASS AND BRONZE WORKS, INC.
 2 Saddleback Cove / P.O. Box 1088
 Travelers Rest, SC 29690

Model No.
B-7242-C02

Item No.

Travelers Rest, SC: 800-476-4103 • Simi Valley, CA: 800-423-0150 • Fax: 864-834-3518 • www.tsbrass.com

This Space for Architect/Engineer Approval

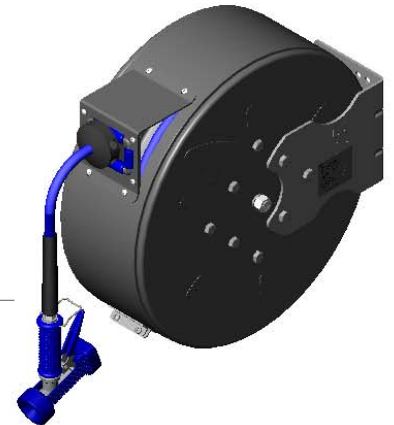
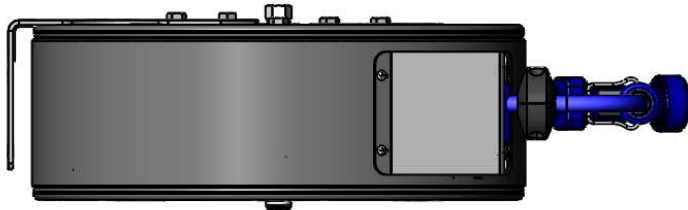
Job Name _____ Date _____

Model Specified _____ Quantity _____

Customer/Wholesaler _____

Contractor _____

Architect/Engineer _____

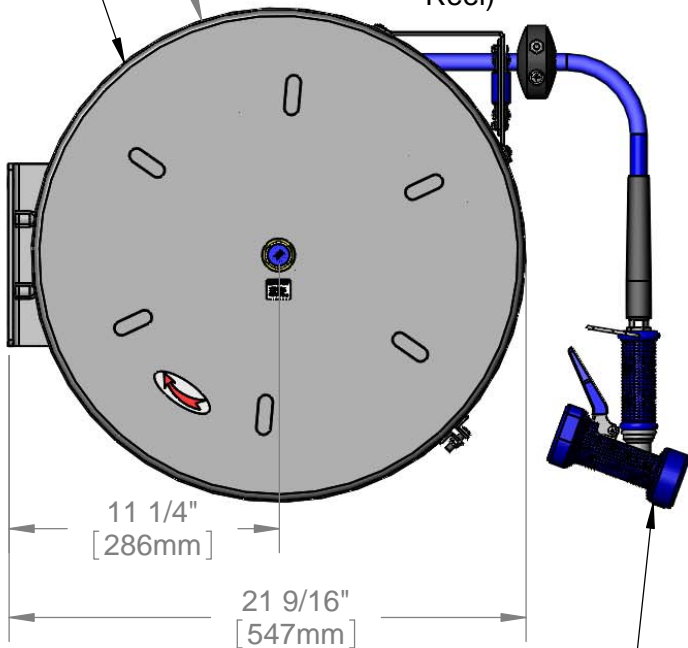


Enclosed Coated Hose Reel;
 50 Ft. of 3/8" Hose

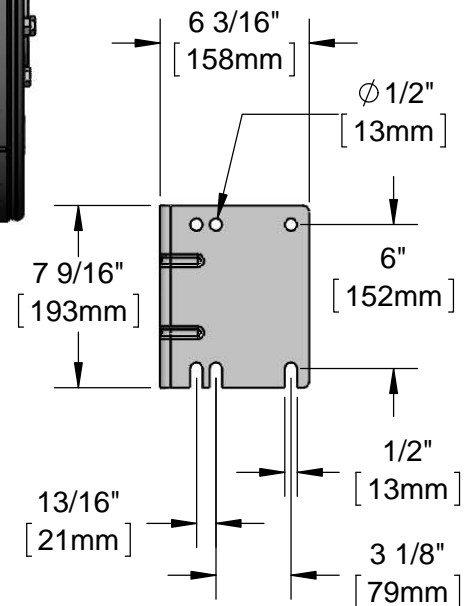
$\varnothing 20 \frac{9}{16}$ "
 [522mm]

3/8" NPT Female
 Inlet (Left Side of
 Reel)

8 7/16"
 [214mm]



MV-2516-24 Rear Trigger
 Style Gun w/ Hold Down Clip,
 Stainless Steel Body and
 Royal Blue Rubber Cover.



Product Specifications:
Hose Reel System:
 3/8" x 50 Ft. Enclosed Coated Reel, w/ Rear Trigger 5/16" Orifice
 Spray Valve

Drawn DHL	Checked DMH	Approved JHB
Scale: 1:8	Date: 02/21/14	



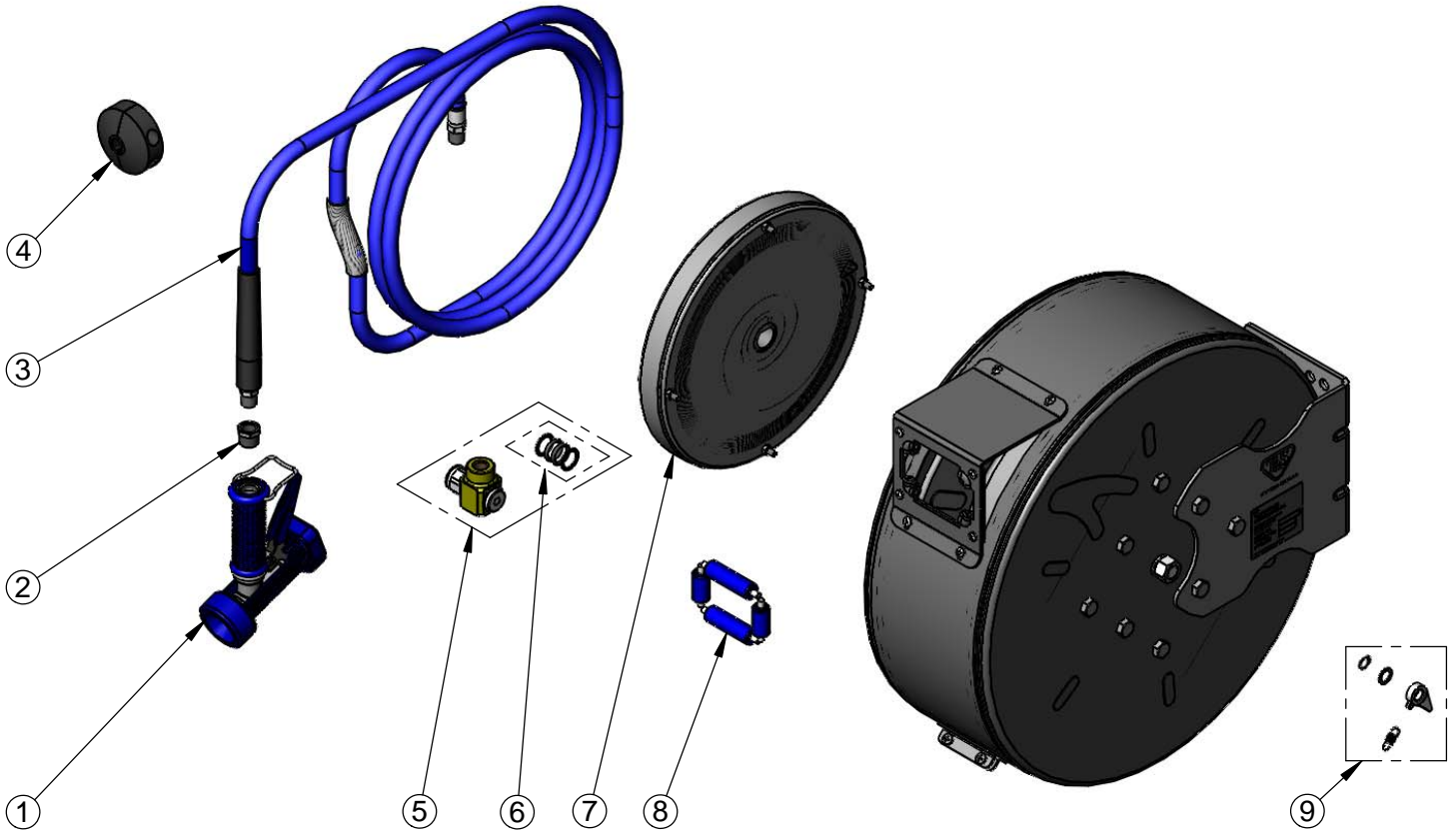
T&S BRASS AND BRONZE WORKS, INC.
 2 Saddleback Cove / P.O. Box 1088
 Travelers Rest, SC 29690

Model No.
B-7242-C02

Item No.

Travelers Rest, SC: 800-476-4103 • Simi Valley, CA: 800-423-0150 • Fax: 864-834-3518 • www.tsbrass.com

ITEM NO.	SALES NO.	DESCRIPTION
1	MV-2516-24	Rear Trigger Gun, 5/16" Orifice
2	001359-40	Hex Bushing, 1/2" NPT Male x 3/8" NPT Female
3	014942-45	3/8" x 50' Hose Replacement Kit
4	014949-45	Hose Stop Repair Kit
5	014946-45	3/8" Swivel Repair Kit
6	014948-45	O-Ring Replacement Kit
7	014934-45	Large Coated Spring Assembly
8	014937-45	Roller Replacement Kit
9	014940-45	Ratchet Repair Kit



Product Specifications:
 Hose Reel System:
 3/8" x 50 Ft. Enclosed Coated Reel, w/ Rear Trigger 5/16" Orifice
 Spray Valve

Drawn DHL	Checked DMH	Approved JHB
Scale: NTS		Date: 02/21/14



T&S BRASS AND BRONZE WORKS, INC.
 2 Saddleback Cove / P.O. Box 1088
 Travelers Rest, SC 29690

Model No.
B-7242-C05

Item No.

Travelers Rest, SC: 800-476-4103 • Simi Valley, CA: 800-423-0150 • Fax: 864-834-3518 • www.tsbrass.com

This Space for Architect/Engineer Approval

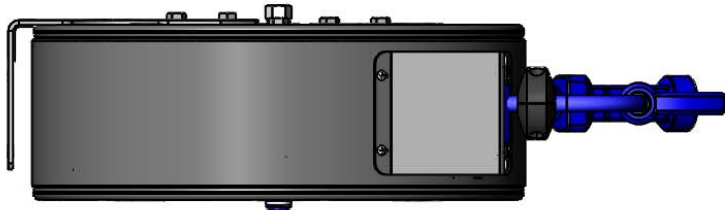
Job Name _____ Date _____

Model Specified _____ Quantity _____

Customer/Wholesaler _____

Contractor _____

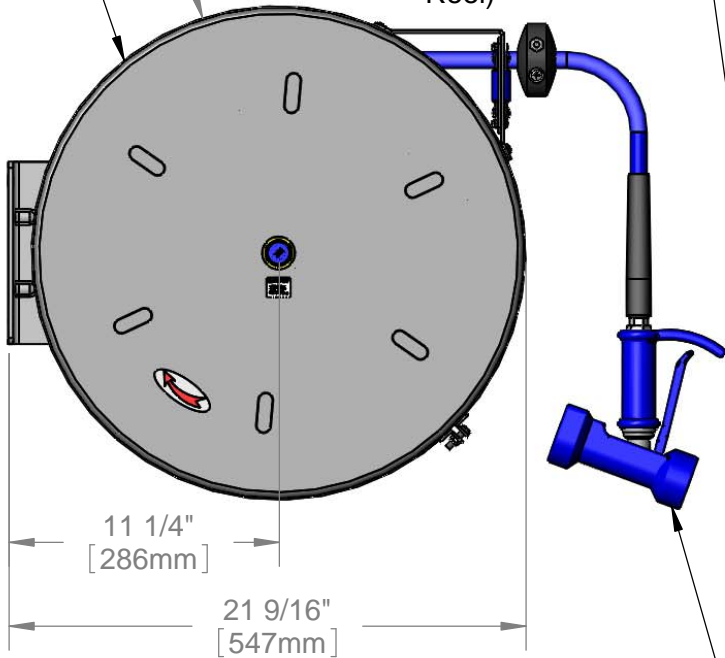
Architect/Engineer _____



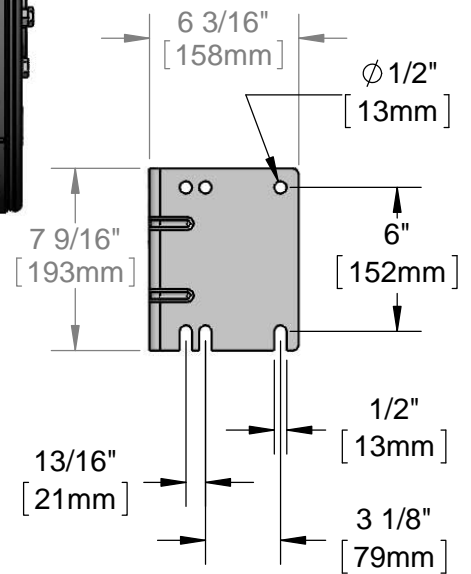
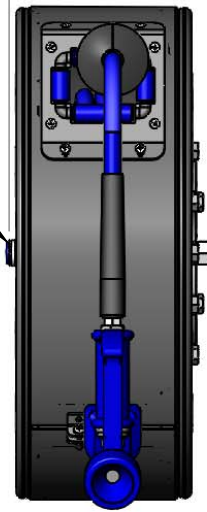
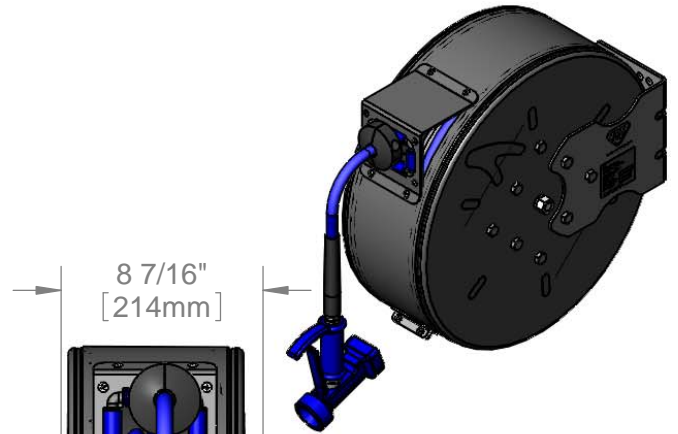
Enclosed Coated Hose Reel;
 50 Ft. of 3/8" Hose

$\phi 20 \frac{9}{16}$ "
 [522mm]

3/8" NPT Female
 Inlet (Left Side of
 Reel)



MV-2522-24 Front Trigger Style
 Gun w/ Stainless Steel Body
 and Royal Blue Rubber Cover.



Product Specifications:
 Hose Reel System:
 3/8" x 50 Ft. Enclosed Coated Reel, w/ Front Trigger 5/16" Orifice
 Spray Valve

Drawn DHL	Checked DMH	Approved JHB
Scale: 1:8	Date: 02/21/14	



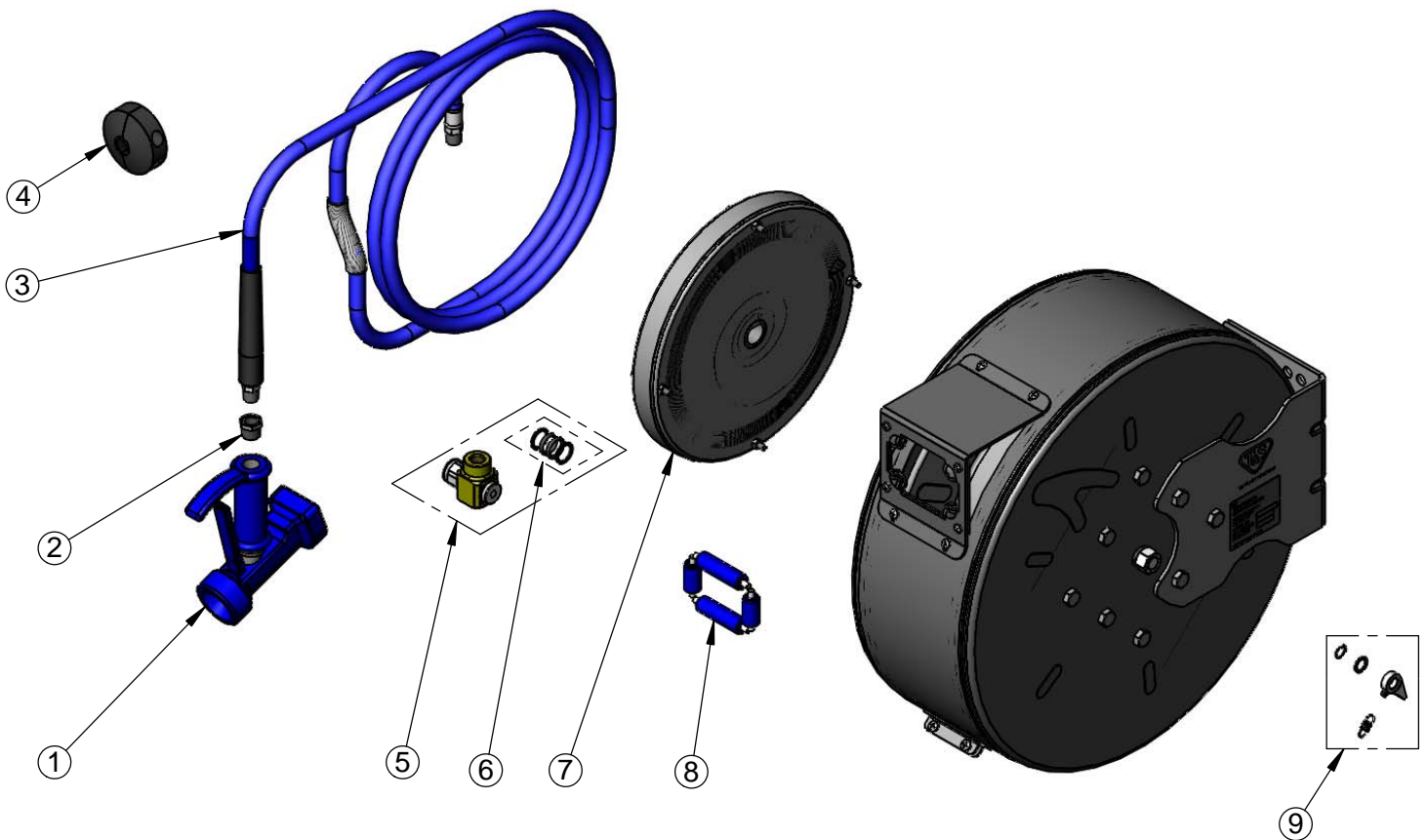
T&S BRASS AND BRONZE WORKS, INC.
 2 Saddleback Cove / P.O. Box 1088
 Travelers Rest, SC 29690

Model No.
B-7242-C05

Item No.

Travelers Rest, SC: 800-476-4103 • Simi Valley, CA: 800-423-0150 • Fax: 864-834-3518 • www.tsbrass.com

ITEM NO.	SALES NO.	DESCRIPTION
1	MV-2522-24	Front Trigger Gun, 5/16" Orifice
2	001359-40	Hex Bushing, 1/2" NPT Male x 3/8" NPT Female
3	014942-45	3/8" x 50' Hose Replacement Kit
4	014949-45	Hose Stop Repair Kit
5	014946-45	3/8" Swivel Repair Kit
6	014948-45	O-Ring Replacement Kit
7	014934-45	Large Coated Spring Assembly
8	014936-45	Roller Replacement Kit
9	014940-45	Ratchet Repair Kit



Product Specifications:
 Hose Reel System:
 3/8" x 50 Ft. Enclosed Coated Reel, w/ Front Trigger 5/16" Orifice
 Spray Valve

Drawn DHL	Checked DMH	Approved JHB
Scale: NTS		Date: 02/21/14



T&S BRASS AND BRONZE WORKS, INC.

2 Saddleback Cove / P.O. Box 1088
Travelers Rest, SC 29690



REG. #A2601
ISO #9001

Model No.
B-7242-C08H

Item No.

Travelers Rest, SC: 800-476-4103 Simi Valley, CA: 800-423-0150 Fax: 864-834-3518 www.tsbrass.com

This Space for Architect/Engineer Approval

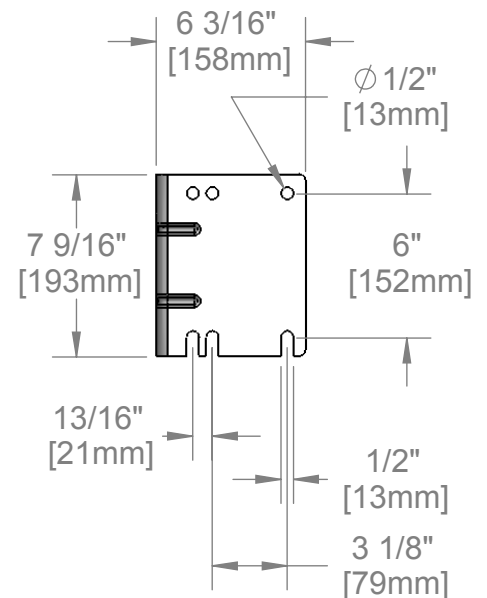
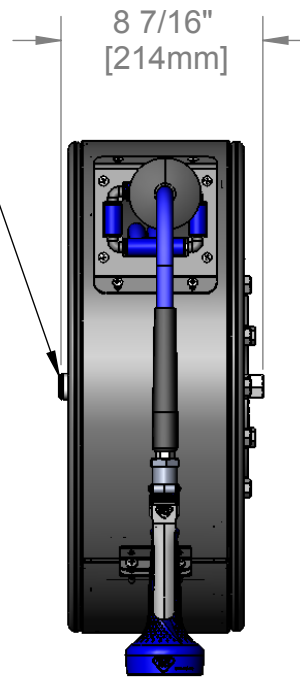
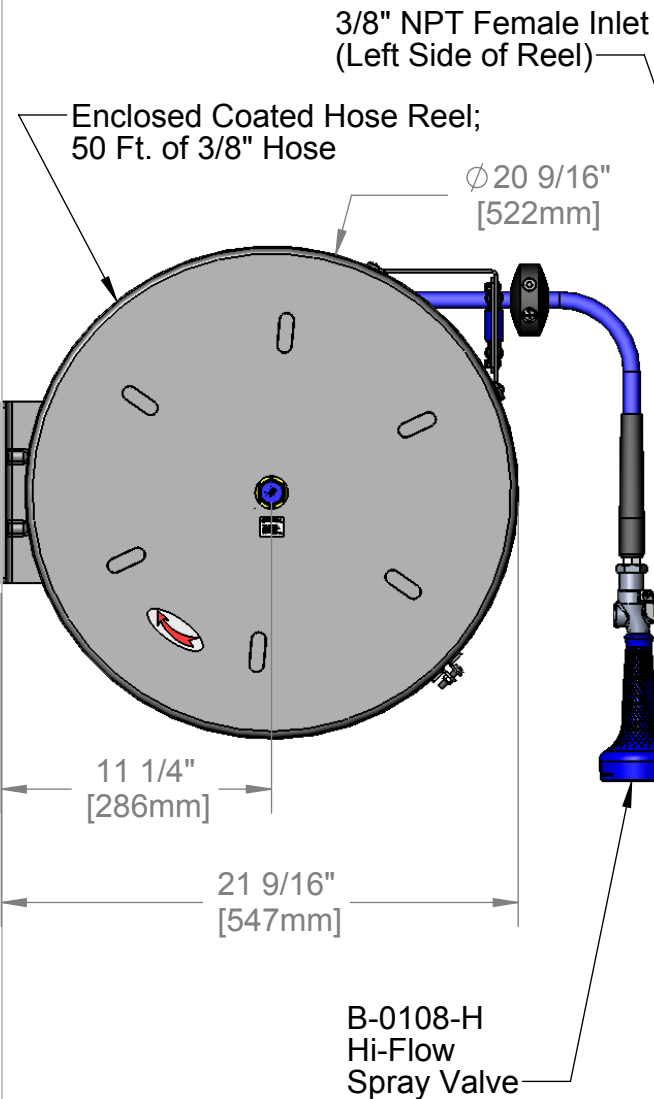
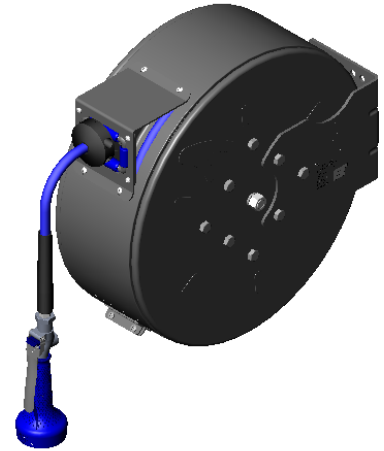
Job Name _____ Date _____

Model Specified _____ Quantity _____

Customer/Wholesaler _____

Contractor _____

Architect/Engineer _____



Product Specifications:

**3/8" x 50 Ft. Enclosed Coated Reel
B-0108-H Hi-Flow Spray Valve**

Drawn JRM	Checked DHL	Approved JHB
Scale: 1:8	Date: 12/19/07	



T&S BRASS AND BRONZE WORKS, INC.
 2 Saddleback Cove / P.O. Box 1088
 Travelers Rest, SC 29690



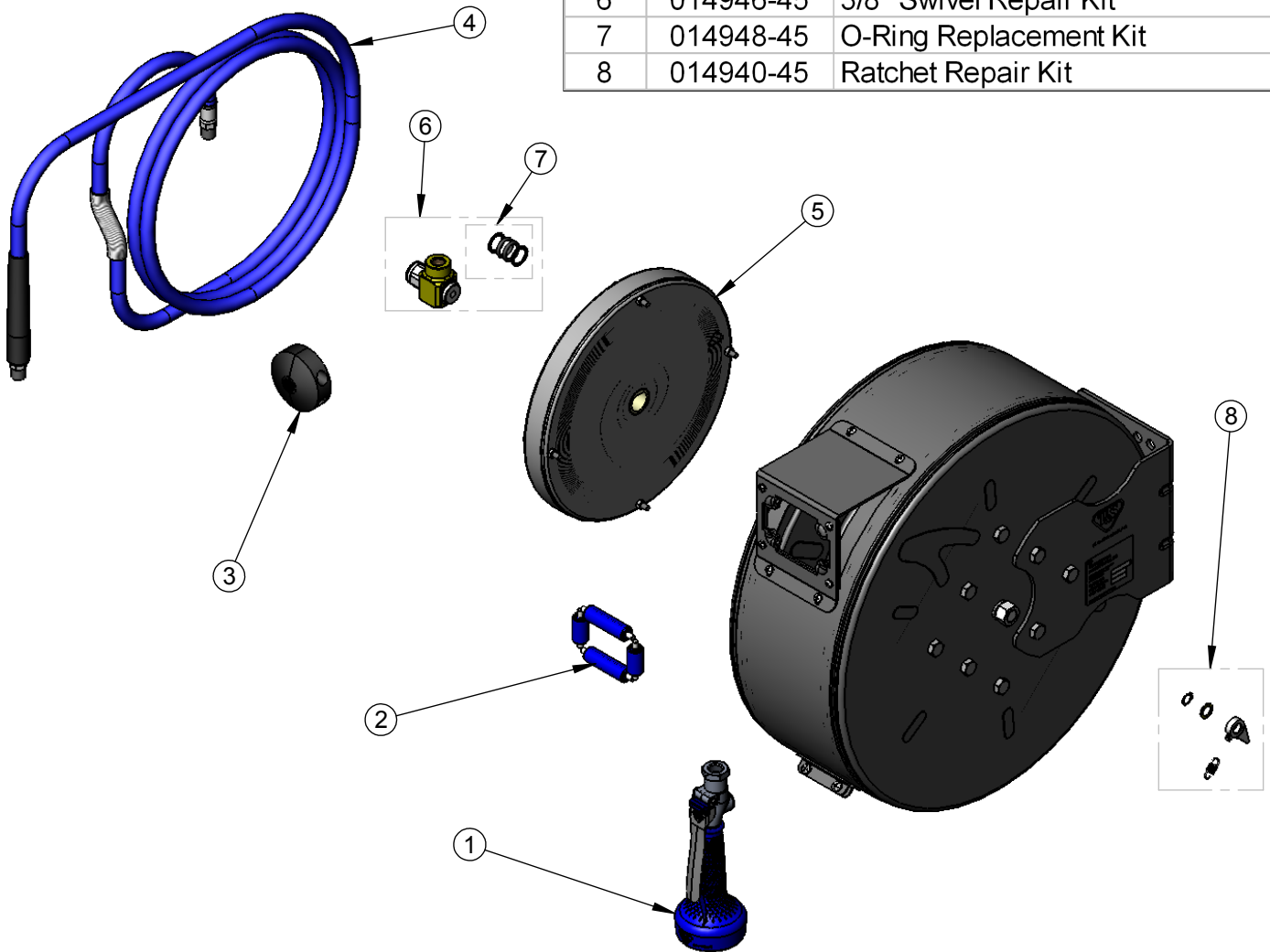
REG. #A2601
 ISO #9001

Model No.
B-7242-C08H

Item No.

Travelers Rest, SC: 800-476-4103 Simi Valley, CA: 800-423-0150 Fax: 864-834-3518 www.tsbrass.com

ITEM NO.	SALES NO.	DESCRIPTION
1	B-0108-H	Hi-Flow B-0108 Spray Valve
2	014937-45	Roller Assembly Repair Kit
3	014949-45	Hose Stop Repair Kit
4	014942-45	3/8" x 50' Hose Replacement Kit
5	014934-45	Large Spring Assembly
6	014946-45	3/8" Swivel Repair Kit
7	014948-45	O-Ring Replacement Kit
8	014940-45	Ratchet Repair Kit



Product Specifications:

3/8" x 50 Ft. Enclosed Coated Reel
 B-0108-H Hi-Flow Spray Valve

Drawn JRM	Checked DHL	Approved JHB
Scale: 1:8		Date: 12/19/07



T&S BRASS AND BRONZE WORKS, INC.

2 Saddleback Cove / P.O. Box 1088
Travelers Rest, SC 29690



REG. #A2601
ISO #9001

Model No.
B-7242-C08M

Item No.

Travelers Rest, SC: 800-476-4103 Simi Valley, CA: 800-423-0150 Fax: 864-834-3518 www.tsbrass.com

This Space for Architect/Engineer Approval

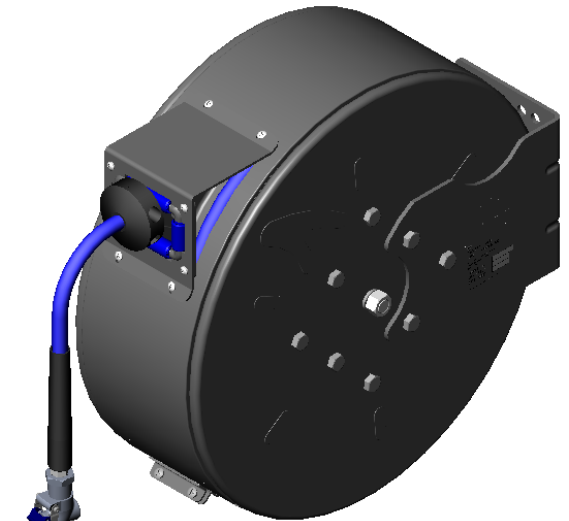
Job Name _____ Date _____

Model Specified _____ Quantity _____

Customer/Wholesaler _____

Contractor _____

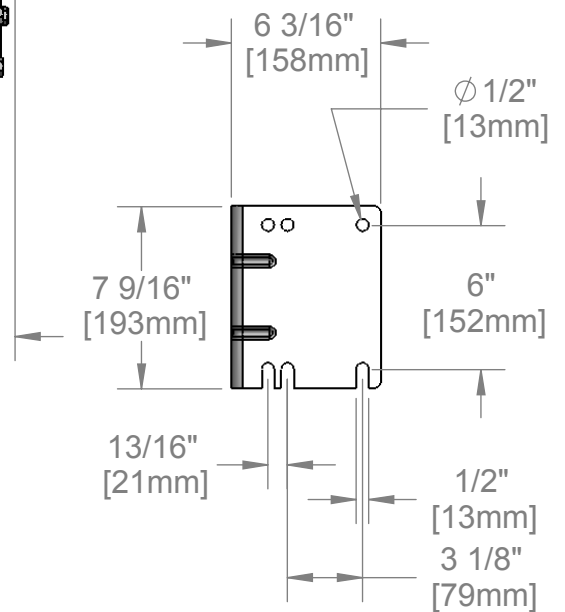
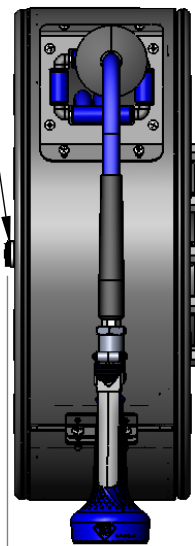
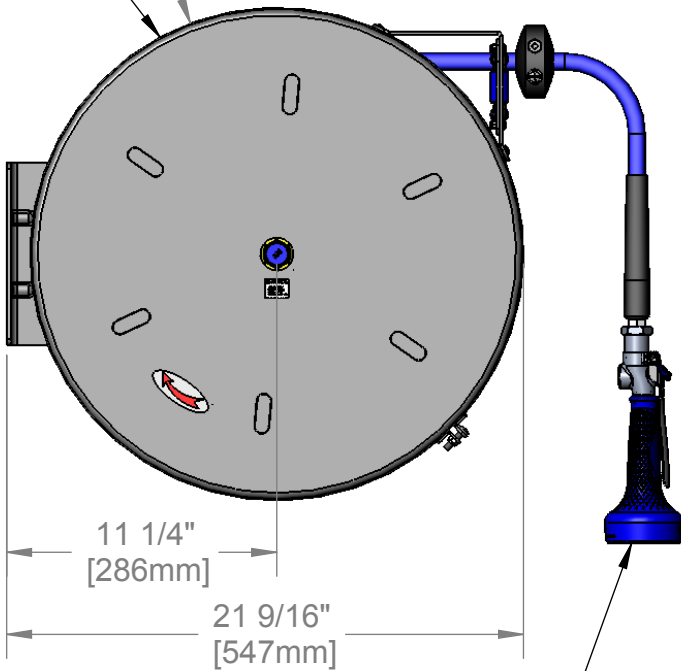
Architect/Engineer _____



3/8" NPT Female Inlet
(Left Side of Reel)

Enclosed Coated Hose Reel;
50 Ft. of 3/8" Hose

Ø 20 9/16"
[522mm]



B-0108
w/ 1.48 GPM Flow

EPAct2005 COMPLIANT

Product Specifications:

3/8" x 50 Ft. Enclosed Coated Reel
B-0108 w/ 1.48 GPM Flow

Drawn JRM	Checked DHL	Approved JHB
Scale: 1:8	Date: 12/19/07	



T&S BRASS AND BRONZE WORKS, INC.
 2 Saddleback Cove / P.O. Box 1088
 Travelers Rest, SC 29690



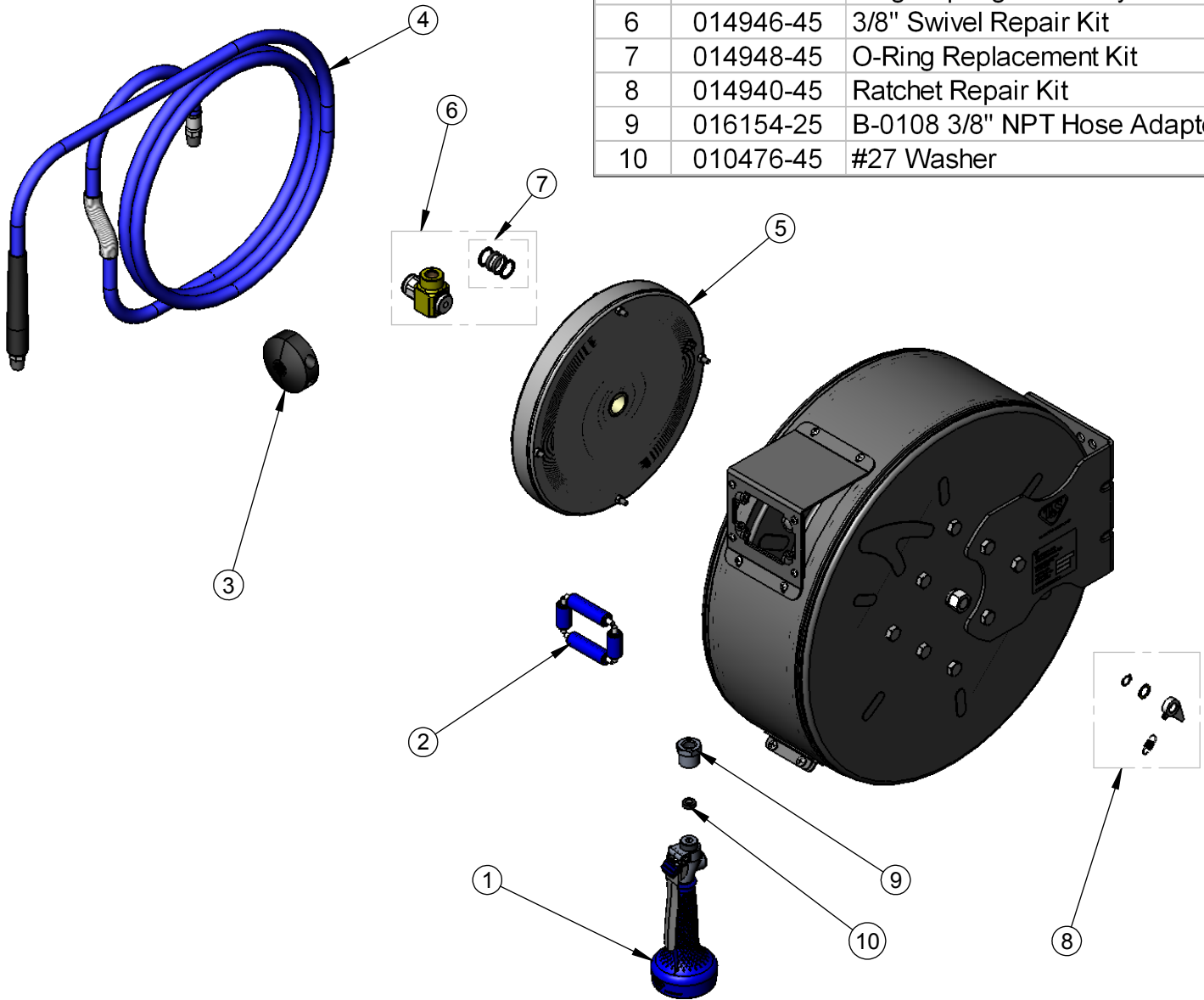
REG. #A2601
 ISO #9001

Model No.
B-7242-C08M

Item No.

Travelers Rest, SC: 800-476-4103 Simi Valley, CA: 800-423-0150 Fax: 864-834-3518 www.tsbrass.com

ITEM NO.	SALES NO.	DESCRIPTION
1	B-0108	1.48 GPM B-0108 Spray valve
2	014937-45	Roller Assembly Repair Kit
3	014949-45	Hose Stop Repair Kit
4	014942-45	3/8" x 50' Hose Replacement Kit
5	014934-45	Large Spring Assembly
6	014946-45	3/8" Swivel Repair Kit
7	014948-45	O-Ring Replacement Kit
8	014940-45	Ratchet Repair Kit
9	016154-25	B-0108 3/8" NPT Hose Adapter
10	010476-45	#27 Washer



Product Specifications:

3/8" x 50 Ft. Enclosed Coated Reel
 B-0108 w/ 1.48 GPM Flow

Drawn JRM	Checked DHL	Approved JHB
Scale: 1:8		Date: 12/19/07



T&S BRASS AND BRONZE WORKS, INC.

2 Saddleback Cove / P.O. Box 1088
Travelers Rest, SC 29690



REG. #A2601
ISO #9001

Model No.
B-7242-C10

Item No.

Travelers Rest, SC: 800-476-4103 Simi Valley, CA: 800-423-0150 Fax: 864-834-3518 www.tsbrass.com

This Space for Architect/Engineer Approval

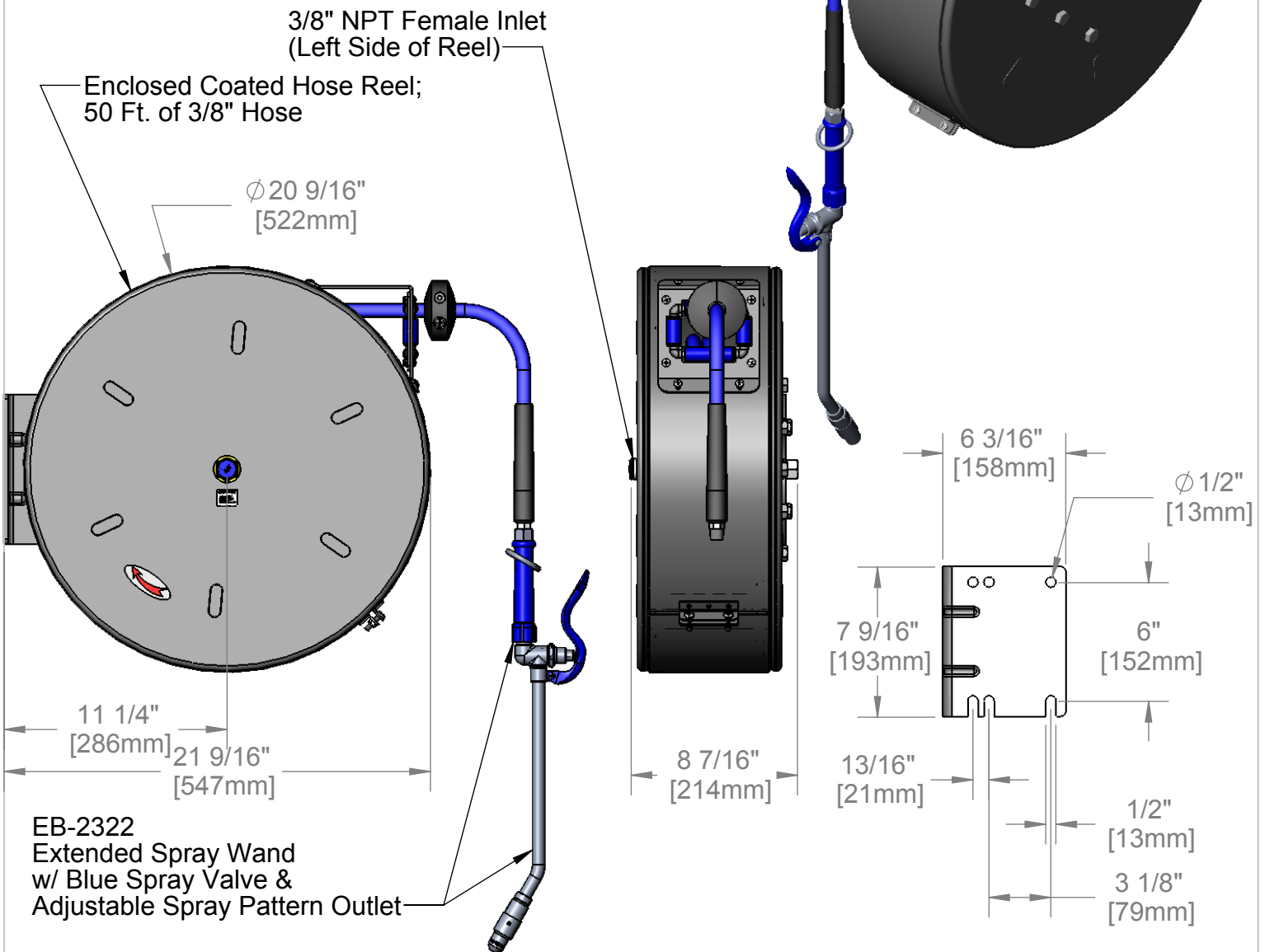
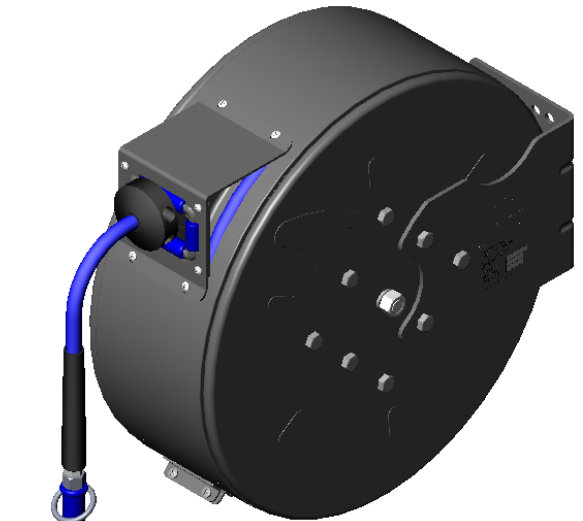
Job Name _____ Date _____

Model Specified _____ Quantity _____

Customer/Wholesaler _____

Contractor _____

Architect/Engineer _____



Product Specifications:

**3/8" x 50 Ft. Enclosed Coated Reel
w/ EB-2322 Extended Spray Wand w/ Blue Spray Valve**

Drawn JRM	Checked DHL	Approved JHB
Scale: 1:8	Date: 12/19/07	



T&S BRASS AND BRONZE WORKS, INC.
 2 Saddleback Cove / P.O. Box 1088
 Travelers Rest, SC 29690



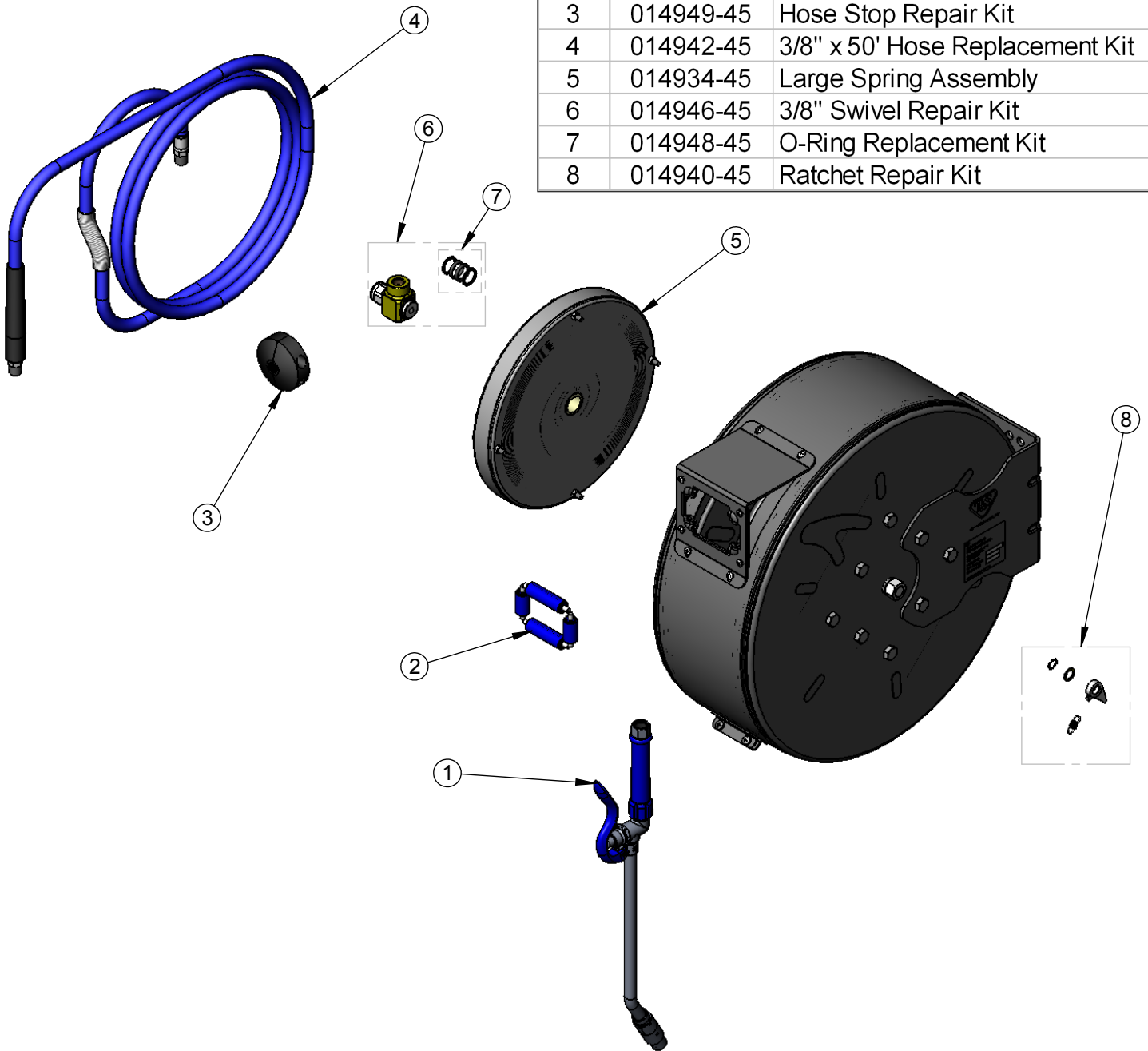
REG. #A2601
 ISO #9001

Model No.
B-7242-C10

Item No.

Travelers Rest, SC: 800-476-4103 Simi Valley, CA: 800-423-0150 Fax: 864-834-3518 www.tsbrass.com

ITEM NO.	SALES NO.	DESCRIPTION
1	EB-2322	Extended Wand Spray valve
2	014937-45	Roller Assembly Repair Kit
3	014949-45	Hose Stop Repair Kit
4	014942-45	3/8" x 50' Hose Replacement Kit
5	014934-45	Large Spring Assembly
6	014946-45	3/8" Swivel Repair Kit
7	014948-45	O-Ring Replacement Kit
8	014940-45	Ratchet Repair Kit



Product Specifications:

3/8" x 50 Ft. Enclosed Coated Reel
 w/ EB-2322 Extended Spray Wand w/ Blue Spray Valve

Drawn JRM	Checked DHL	Approved JHB
Scale: 1:8		Date: 12/19/07