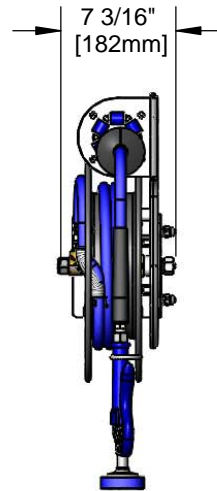
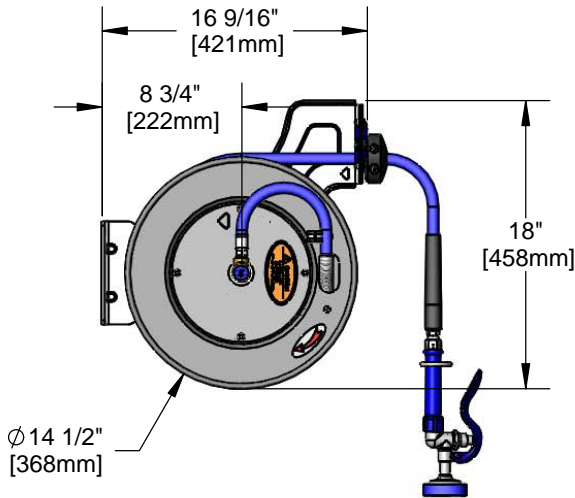




Architect/Engineering Specifications:

Open epoxy coated steel hose reel, high flow spray valve, 3/8" x 35' heavy-duty non-marking hose, ratcheting system, multi-fit bracket, adjustable hose bumper and 3/8" NPT female inlet.

Job Name _____	
Model Specified _____	Quantity _____
Variations Specified _____	
Date _____	



Features & Benefits:

- Open epoxy coated steel hose reel
- Blue high flow spray valve
- 3/8" x 35' heavy-duty non-marking hose rated to 300 PSI
- Ratcheting system holds the length of hose until a slight tug to retract automatically
- 3/8" NPT female inlet
- Adjustable hose bumper
- Multi-fit bracket for wall, ceiling or under counter mounting
- Material: epoxy coated steel open reel and wall bracket, polished chrome plated spray valve

Optional Hose Reel Spray Valves

- | | |
|-------------------------------------|---|
| <input type="checkbox"/> B-0107 | Med Flow Spray Valve |
| <input type="checkbox"/> B-0108 | Ergonomic Medium Flow Spray Valve |
| <input type="checkbox"/> B-0108-H | Ergonomic High Flow Spray Valve |
| <input type="checkbox"/> EB-0107 | High Flow Spray Valve (Standard) |
| <input type="checkbox"/> EB-2322 | Extended Spray Wand |
| <input type="checkbox"/> MV-2516-24 | Stainless Steel Rear Trigger Water Gun |
| <input type="checkbox"/> MV-2522-24 | Stainless Steel Front Trigger Water Gun |
| <input type="checkbox"/> MV-3516-24 | Aluminum Rear Trigger Water Gun |

Product Compliance:

- NSF 61 Exempt (Non-Potable)
- EPAAct 2005 Non-Compliant (PRSV)

Warranty: Two Year (Limited)

Performance Data:

- Pressure: 20 - 125 psi
- Temperature: 40°F - 140°F
- Flow Rate: 3.89 GPM @ 60 psi

Optional Hose Reel Multi-Fit Brackets

3/8" x 15', 30', & 35' Epoxy Coated Hose Reel

- | | |
|-------------------------------------|---|
| <input type="checkbox"/> G016636-45 | Epoxy Coated Wall Swing Bracket |
| <input type="checkbox"/> G016652-45 | Deck Mount Pivot Bracket |
| <input type="checkbox"/> G018477-45 | Stainless Steel Table Leg Swing Bracket |

