



T&S BRASS AND BRONZE WORKS, INC.

2 Saddleback Cove / P.O. Box 1088
Travelers Rest, SC 29690

Model No.

B-3960

Item No.

Travelers Rest, SC: 800-476-4103 • Simi Valley, CA: 800-423-0150 • Fax: 864-834-3518 • www.tsbrass.com

This Space for Architect/Engineer Approval

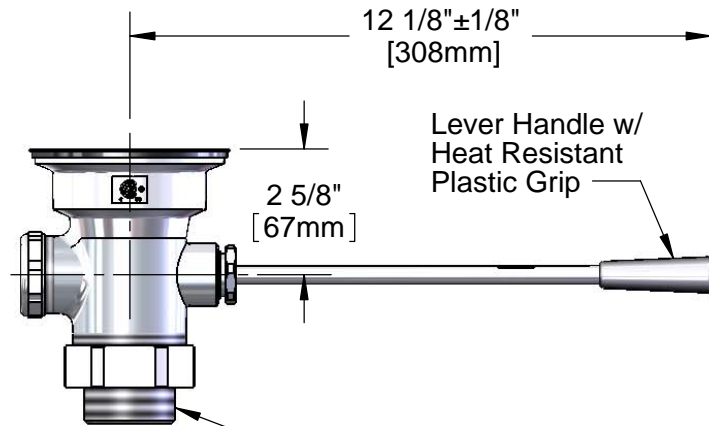
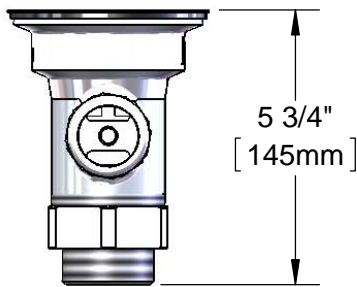
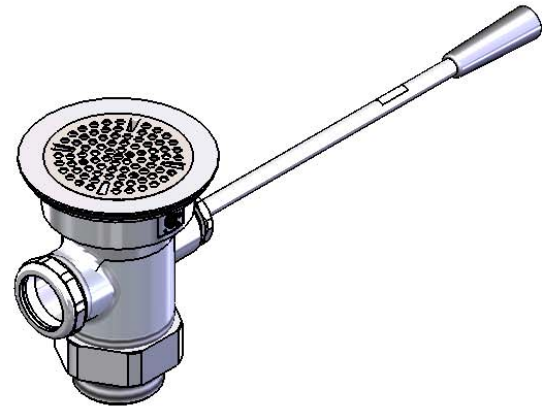
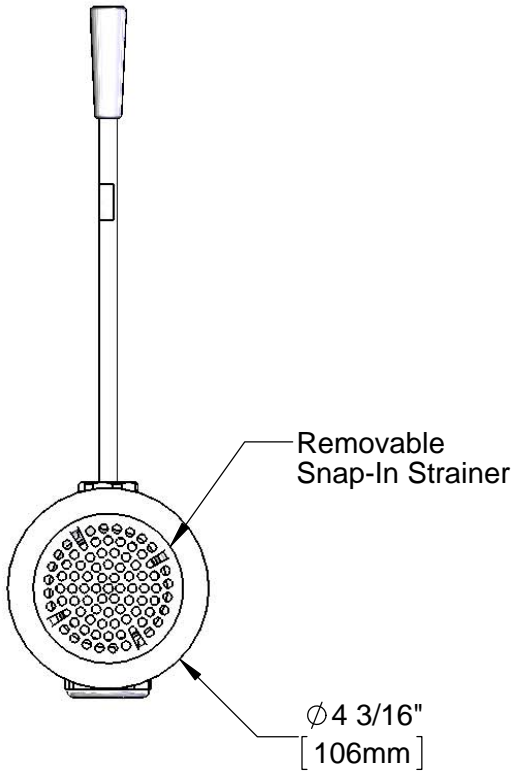
Job Name _____ Date _____

Model Specified _____ Quantity _____

Customer/Wholesaler _____

Contractor _____

Architect/Engineer _____



Adapter Converts 2" NPT Male to 1 1/2" NPT Male. Remove Adapter When 2" NPT Male Thread is Needed.

Product Specifications:

Waste Drain Valve w/ Lever Handle, 3" Sink Opening, 2" NPT Male Outlet / 1 1/2" NPT Female Outlet & 1 1/2" NPT Male Adapter

Product Compliance:

ASME A112.18.2 / CSA B125.2



T&S BRASS AND BRONZE WORKS, INC.
 2 Saddleback Cove / P.O. Box 1088
 Travelers Rest, SC 29690

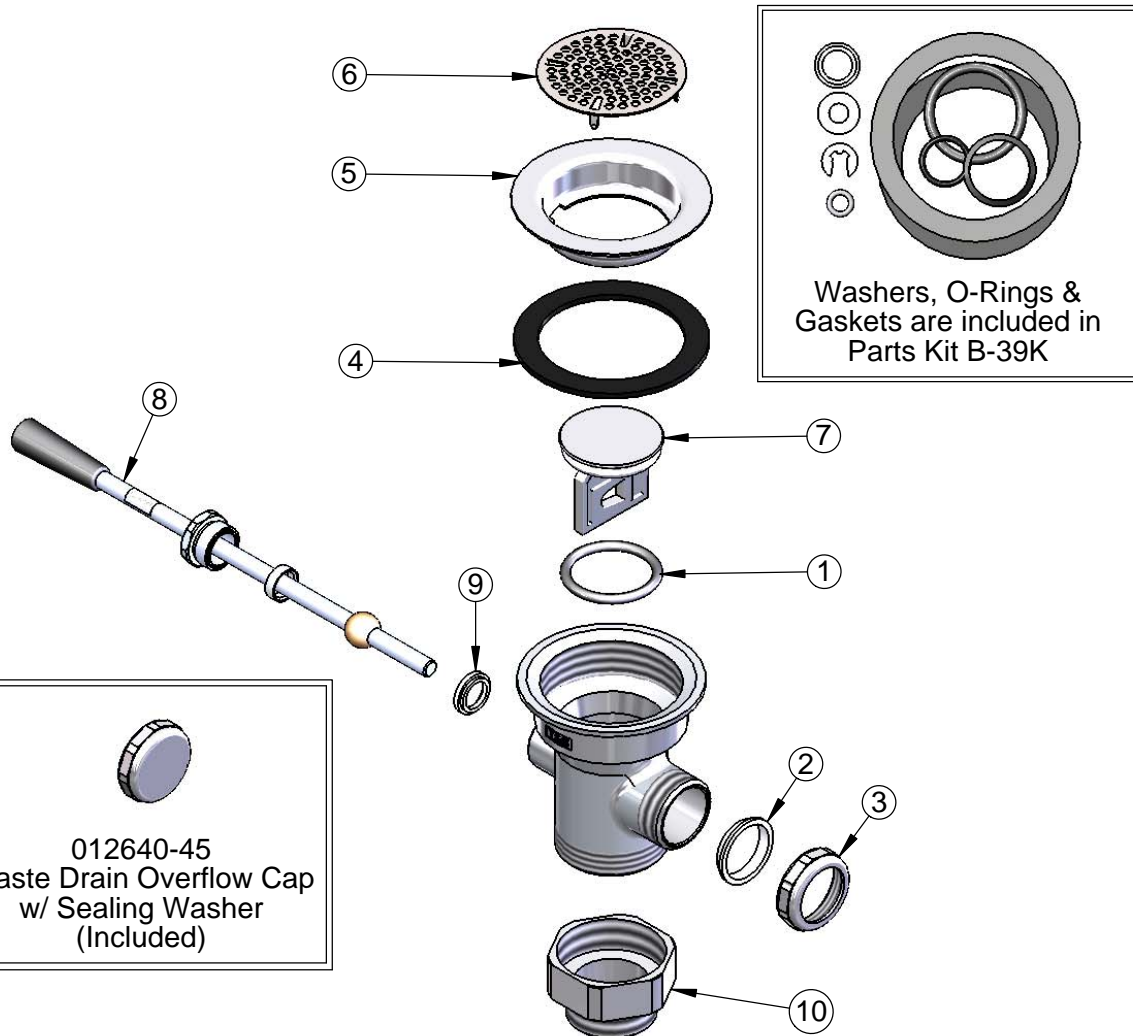
Model No.
B-3960

Item No.

Preliminary

Travelers Rest, SC: 800-476-4103 • Simi Valley, CA: 800-423-0151 • Fax: 861-334-5518 • www.tsbrass.com

ITEM NO.	SALES NO.	DESCRIPTION
1	010389-45	O-Ring, Plunger
2	010390-45	Ferrule, Coupling Nut
3	010391-45	Nut, Coupling for Twist Drain
4	010381-45	Gasket, 3" Face Flange
5	015306-45	Flange, 3" Face
6	010385-45	Strainer, 3" Snap-in
7	010388-45	Plunger, Lever and Twist Drain
8	010394-45	Handle, Waste Drain Valve Lever
9	010392-45	Bushing, Waste Drain Lever Handle
10	B-3945	Adapter, 2" NPT x 1 1/2" NPT



Product Specifications:
 Waste Drain Valve w/ Lever Handle, 3" Sink Opening, 2" NPT Male Outlet /
 1 1/2" NPT Female Outlet & 1 1/2" NPT Male Adapter

Product Compliance:
 ASME A112.18.2 / CSA B125.2



T&S BRASS AND BRONZE WORKS, INC.
 2 Saddleback Cove / P.O. Box 1088
 Travelers Rest, SC 29690

Model No.
B-3960-XS

Item No.

Travelers Rest, SC: 800-476-4103 • Simi Valley, CA: 800-423-0150 • Fax: 864-834-3518 • www.tsbrass.com

This Space for Architect/Engineer Approval

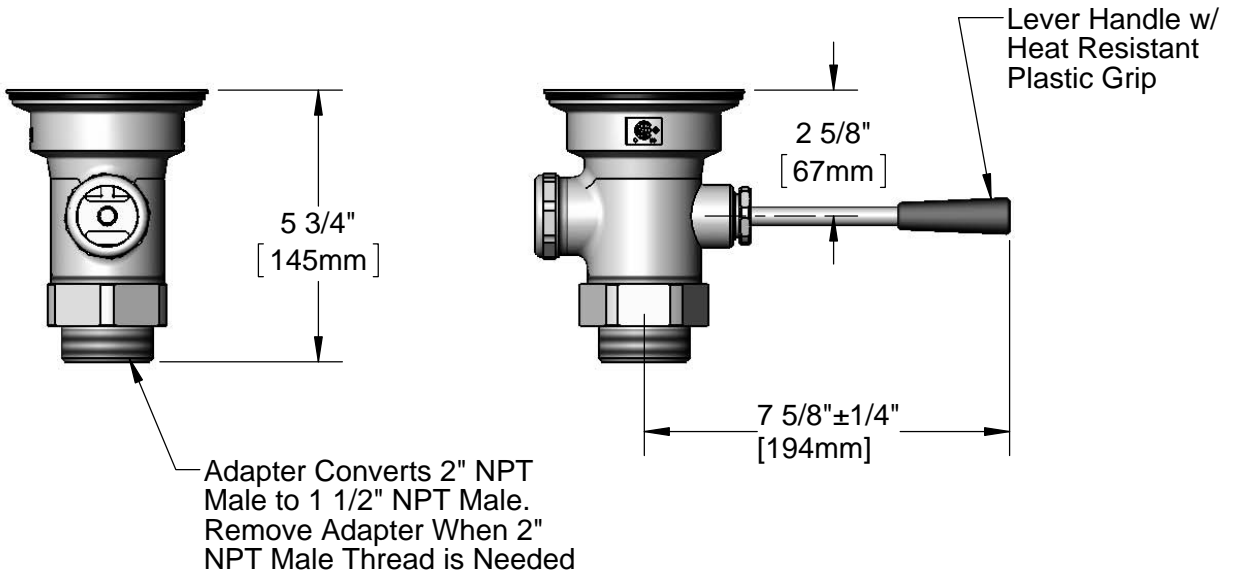
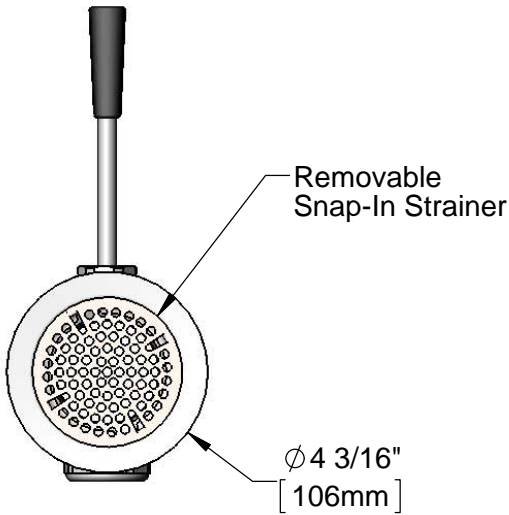
Job Name _____ Date _____

Model Specified _____ Quantity _____

Customer/Wholesaler _____

Contractor _____

Architect/Engineer _____



Product Specifications:
 Waste Drain Valve w/ Short Lever Handle, 3" Sink Opening,
 2" NPT Male Outlet & 1 1/2" NPT Male Adapter

Drawn KJG	Checked GEF	Approved JHB
Scale: 1:4		Date: 06/18/12



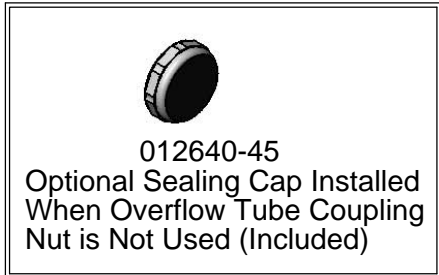
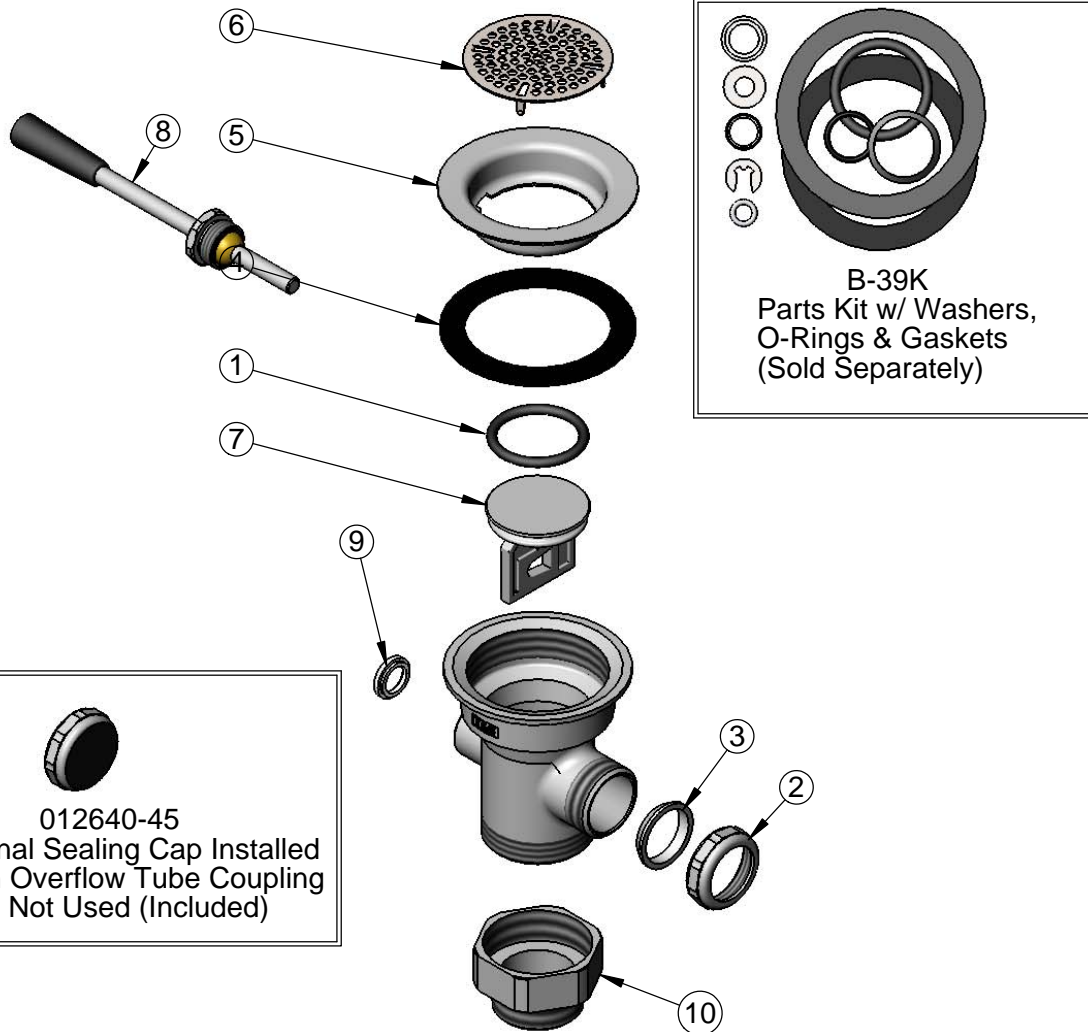
T&S BRASS AND BRONZE WORKS, INC.
 2 Saddleback Cove / P.O. Box 1088
 Travelers Rest, SC 29690

Model No.
B-3960-XS

Item No.

Travelers Rest, SC: 800-476-4103 • Simi Valley, CA: 800-423-0150 • Fax: 864-834-3518 • www.tsbrass.com

ITEM NO.	SALES NO.	DESCRIPTION
1	010389-45	O-Ring, Plunger
2	010391-45	Nut, Coupling For Twist Drain
3	010390-45	Ferrule, Coupling Nut
4	010381-45	Gasket, 3" Face Flange
5	015306-45	Flange, 3" Face
6	010385-45	Strainer, 3" Snap-in
7	010388-45	Plunger, Lever and Twist Drain
8	010394-45XS	Handle Asm, Waste Valve Short Lever
9	010392-45	Bushing, Waste Drain Lever Handle
10	B-3945	Adapter, 2" NPT x 1 1/2" NPT



Product Specifications:
 Waste Drain Valve w/ Short Lever Handle, 3" Sink Opening,
 2" NPT Male Outlet & 1 1/2" NPT Male Adapter

Drawn KJG	Checked GEF	Approved JHB
Scale: NTS		Date: 06/18/12



T&S BRASS AND BRONZE WORKS, INC.

2 Saddleback Cove / P.O. Box 1088
Travelers Rest, SC 29690



REG. #A2601
ISO #9001

Model No.
B-3960

Item No.

Travelers Rest, SC: 800-476-4103 Simi Valley, CA: 800-423-0150 Fax: 864-834-3518 www.tsbrass.com

This Space for Architect/Engineer Approval

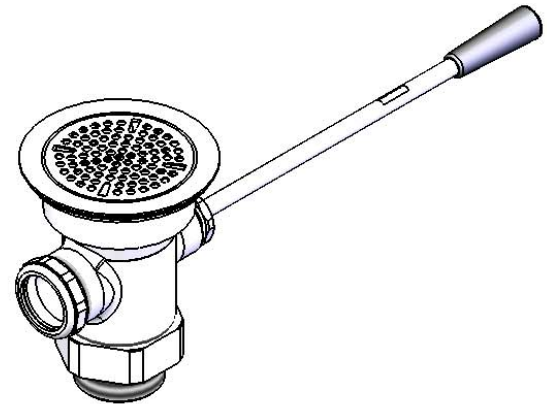
Job Name _____ Date _____

Model Specified _____ Quantity _____

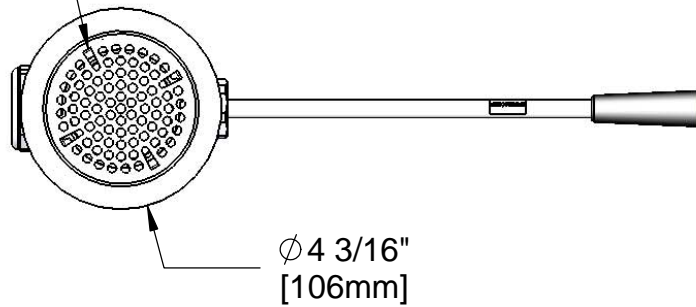
Customer/Wholesaler _____

Contractor _____

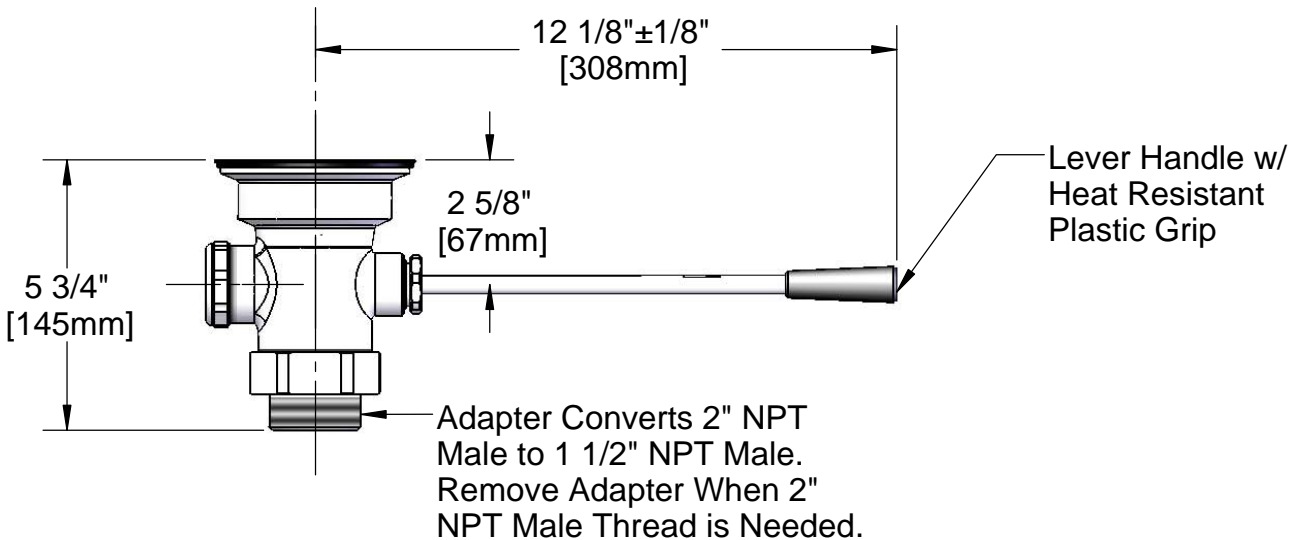
Architect/Engineer _____



Removable
Snap-In Strainer



$\phi 4 \frac{3}{16}''$
[106mm]



Product Specifications:

Waste Drain Valve w/ Lever Handle, 3" Sink Opening,
2" NPT Male Outlet & 1 1/2" NPT Male Adapter

Drawn
GEF

Checked
KJG

Approved
JHB

Scale:

1:4

Date:

07/15/11



T&S BRASS AND BRONZE WORKS, INC.

2 Saddleback Cove / P.O. Box 1088
Travelers Rest, SC 29690



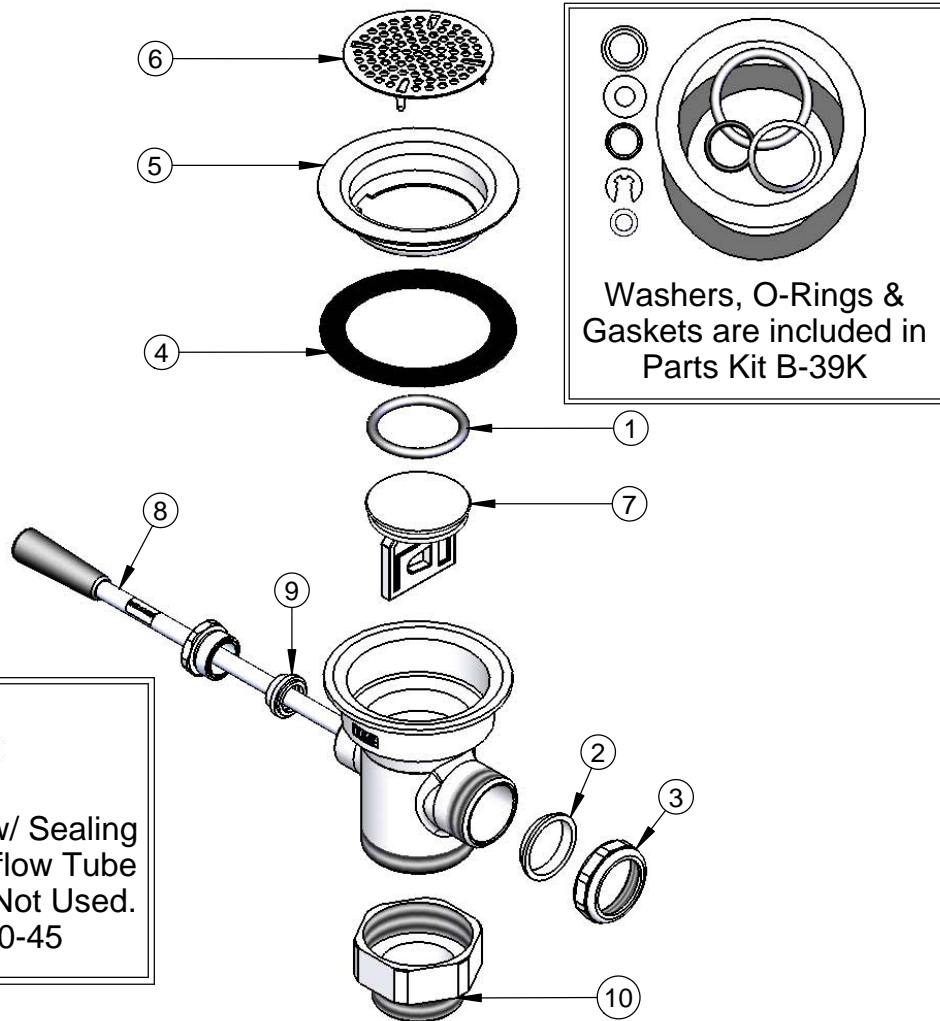
REG. #A2601
ISO #9001

Model No.
B-3960

Item No.

Travelers Rest, SC: 800-476-4103 Simi Valley, CA: 800-423-0150 Fax: 864-834-3518 www.tsbrass.com

ITEM NO.	SALES NO.	DESCRIPTION
1	010389-45	O-Ring, Plunger
2	010390-45	Ferrule, Coupling Nut
3	010391-45	Nut, Coupling For Twist Drain
4	010381-45	Gasket, 3" Face Flange
5	015306-45	Flange, 3" Face
6	010385-45	Strainer, 3" Snap-in
7	010388-45	Plunger, Lever and Twist Drain
8	010394-45	Handle Asm, Waste Drain Valve Lever
9	010392-45	Bushing, Waste Drain Lever Handle
10	B-3945	Adapter, 2" NPT x 1 1/2" NPT



Also Furnished w/ Sealing Cap When Overflow Tube Coupling Nut is Not Used.
PN# 012640-45

Product Specifications: Waste Drain Valve w/ Lever Handle, 3" Sink Opening, 2" NPT Male Outlet & 1 1/2" NPT Male Adapter	Drawn GEF	Checked KJG	Approved JHB
	Scale: 1:4		Date: 07/15/11