



# T&S BRASS AND BRONZE WORKS, INC.

2 Saddleback Cove / P.O. Box 1088  
Travelers Rest, SC 29690

Model No.

**B-2991-WA**

Item No.

Travelers Rest, SC: 800-476-4103 • Simi Valley, CA: 800-423-0150 • Fax: 864-834-3518 • www.tsbrass.com

This Space for Architect/Engineer Approval

Job Name \_\_\_\_\_ Date \_\_\_\_\_

Model Specified \_\_\_\_\_ Quantity \_\_\_\_\_

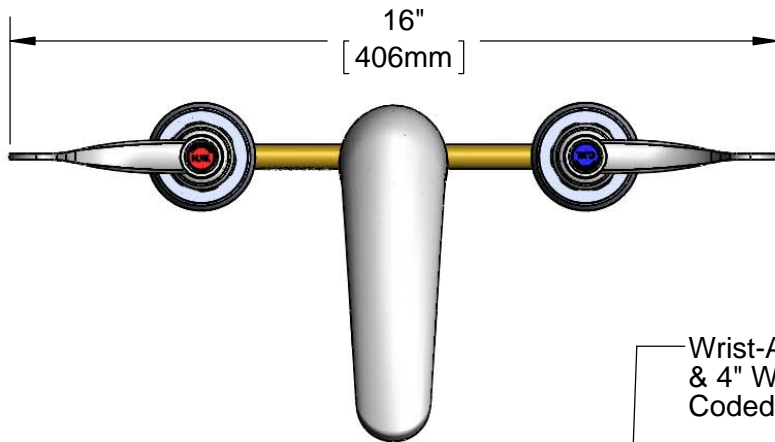
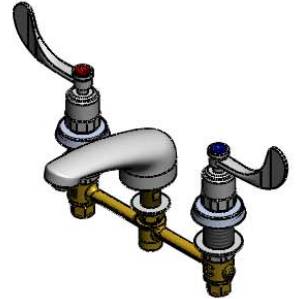
Customer/Wholesaler \_\_\_\_\_

Contractor \_\_\_\_\_

Architect/Engineer \_\_\_\_\_

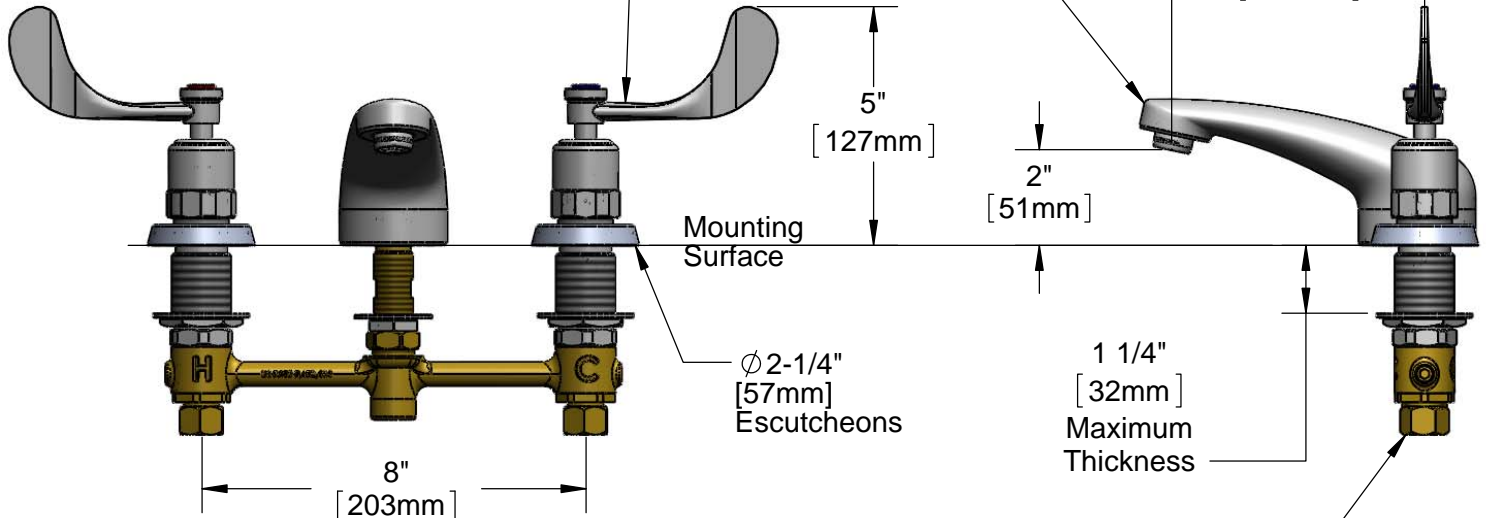


**ADA Compliant**



Wrist-Action Metering Cartridges  
& 4" Wrist Action Handle w/ Color  
Coded Indexes

Lavatory Spout  
w/ 2.2 GPM Aerator



Mounting  
Surface

Ø 2-1/4"  
[57mm]  
Escutcheons

1 1/4"  
[32mm]  
Maximum  
Thickness

1/2" NPSM  
Coupling Nuts

**Rough-In Requirement:**

Ø 1" [25mm] for Center Shank

Ø 1-1/2" [38mm] for Hot/Cold Side

**Product Specifications:**

EasyInstall CWS Faucet w/ 4" Wrist Action Handles, Wrist-Action  
Metering Cartridges, 8" Inlet Centers & Cast Spout w/ 2.2 GPM Aerator

Drawn

**KJG**

Checked

**JRM**

Approved

**JHB**

Scale:

**1:4**

Date:

**09/20/12**

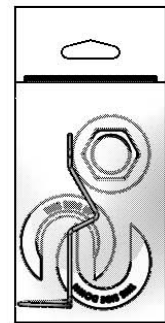
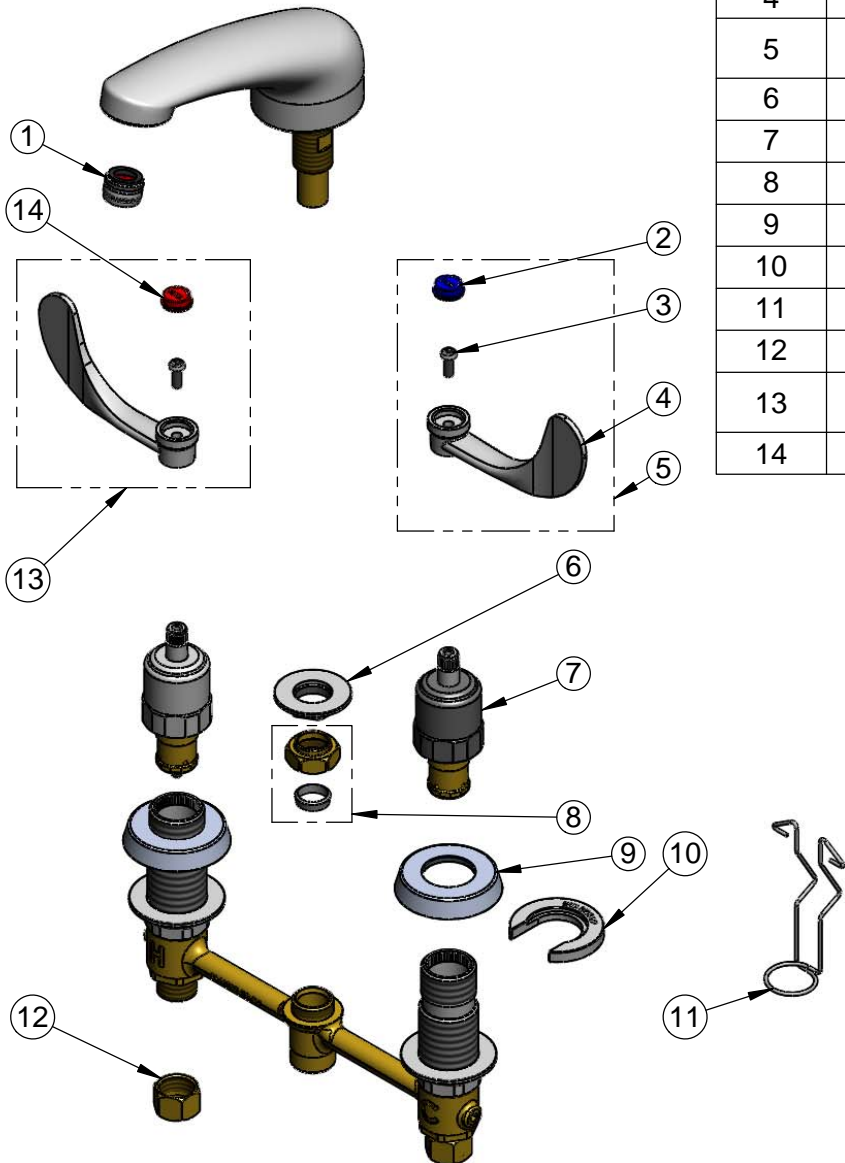


**T&S BRASS AND BRONZE WORKS, INC.**  
 2 Saddleback Cove / P.O. Box 1088  
 Travelers Rest, SC 29690

Model No.  
**B-2991-WA**  
 Item No.

Travelers Rest, SC: 800-476-4103 • Simi Valley, CA: 800-423-0150 • Fax: 864-834-3518 • www.tsbrass.com

ITEM NO.	SALES NO.	DESCRIPTION
1	B-0199-03	2.2 GPM Aerator, 13/16"-27UN Male
2	001686-45	Blue CW Index
3	000925-45	Lab Handle Screw
4	B-WH4	4" Wrist Action Handle
5	B-WH4C	4" Wrist Action Handle, Screw & Cold Index
6	016742-45	Center Flange Nut
7	012449-40	Wrist-Action Metering Cartridge
8	016745-45	Compression Nut & Fitting
9	017292-45	Metering CWS Escutcheon
10	016749-45	Sidebody C-Washer
11	016777-45	CWS Hanger
12	000958-20	Coupling Nut
13	B-WH4H	4" Wrist Action Handle, Screw & Hot Index
14	001194-45	Red HW Index



017245-40  
 Installation Repair Kit  
 Includes #6, (2)#10, & #11

Product Specifications:  
 EasyInstall CWS Faucet w/ 4" Wrist Action Handles, Wrist-Action Metering Cartridges, 8" Inlet Centers & Cast Spout w/ 2.2 GPM Aerator

Drawn <b>KJG</b>	Checked <b>JRM</b>	Approved <b>JHB</b>
Scale: <b>NTS</b>		Date: <b>09/20/12</b>