



T&S BRASS AND BRONZE WORKS, INC.

2 Saddleback Cove / P.O. Box 1088
Travelers Rest, SC 29690

Model No.

B-2885

Item No.

Travelers Rest, SC: 800-476-4103 • Simi Valley, CA: 800-423-0150 • Fax: 864-834-3518 • www.tsbrass.com

This Space for Architect/Engineer Approval

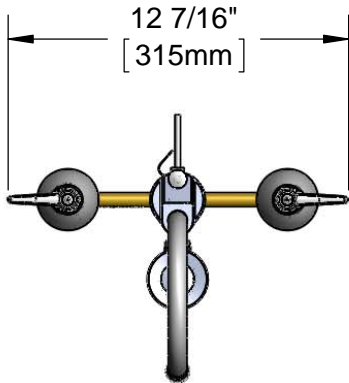
Job Name _____ Date _____

Model Specified _____ Quantity _____

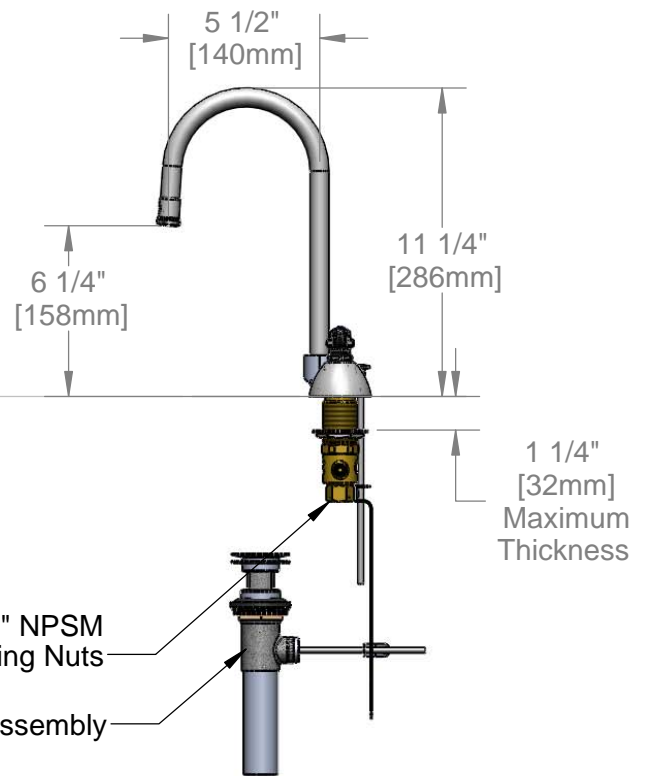
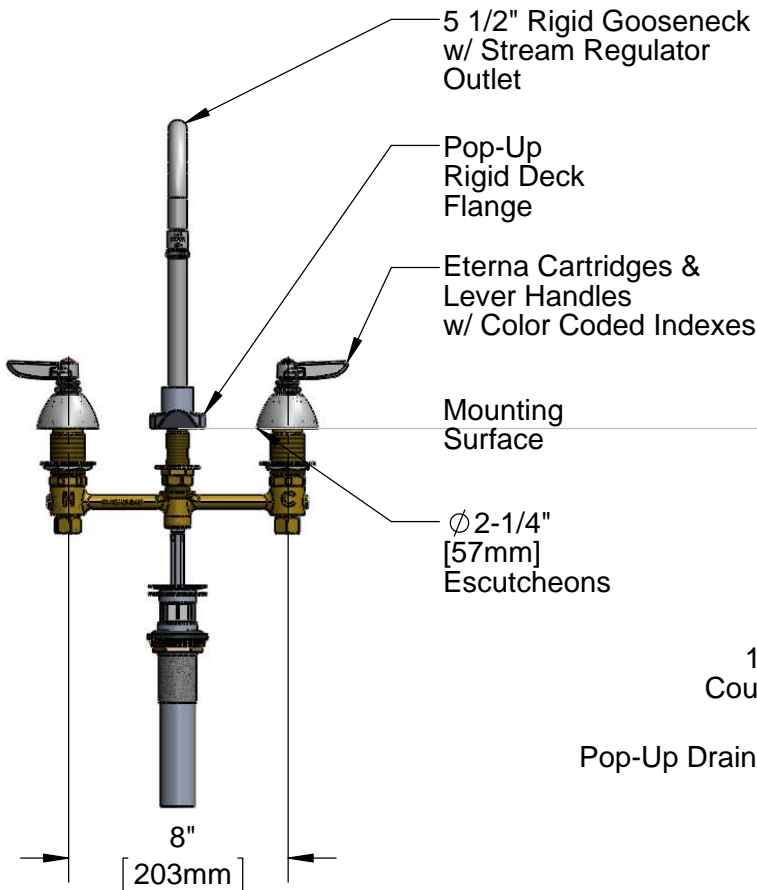
Customer/Wholesaler _____

Contractor _____

Architect/Engineer _____



ADA Compliant



Rough-In Requirement:
Center Shank: ϕ 1" [25mm] Mounting Hole
Hot/Cold Side: ϕ 1 1/2" [38mm] Mounting Holes

Product Specifications:
8" Deck Mount EasyInstall Mixing Faucet, Eterna Cartridges, Rigid Gooseneck w/ Stream Regulator Outlet, Pop-Up Drain and 1/2" NPSM Male Inlets

Product Compliance:
ASME A112.18.1 / CSA B125.1
NSF 61 - Section 9
NSF 372 (Low Lead Content)
ANSI A117.1 (ADA)



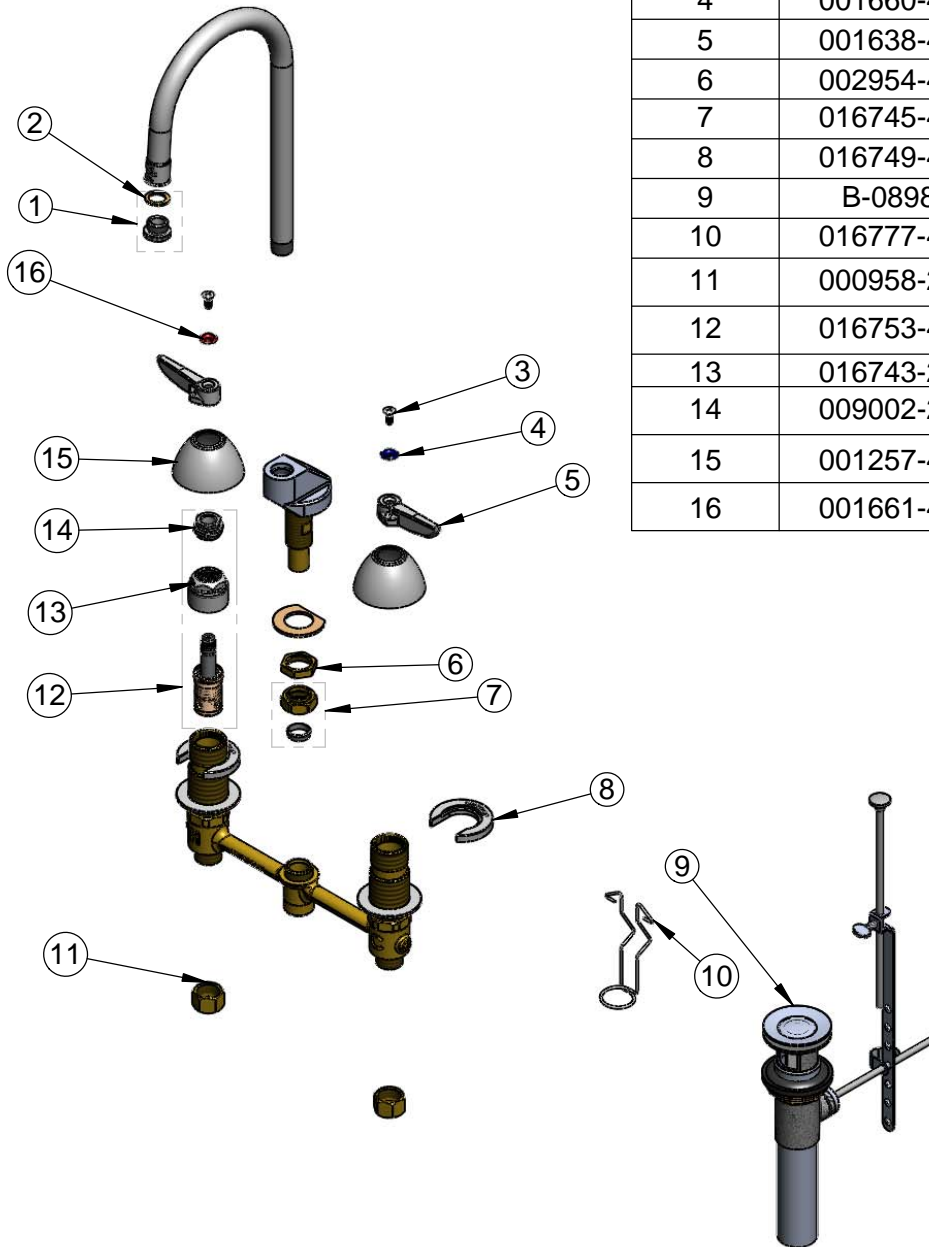
T&S BRASS AND BRONZE WORKS, INC.
 2 Saddleback Cove / P.O. Box 1088
 Travelers Rest, SC 29690

Model No.
B-2885

Item No.

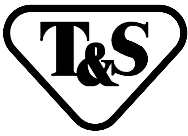
Travelers Rest, SC: 800-476-4103 • Simi Valley, CA: 800-423-0150 • Fax: 864-834-3518 • www.tsbrass.com

ITEM NO.	SALES NO.	DESCRIPTION
1	B-LT	Stream Regulator Outlet
2	001043-45	Washer
3	000922-45	Lever Handle Screw
4	001660-45	Blue Index-CW
5	001638-45	Lever Handle
6	002954-45	Shank Lock Nut
7	016745-45	Compression Nut & Fitting
8	016749-45	Sidebody C-Washer
9	B-0898	Pop-Up Drain
10	016777-45	CWS Hanger
11	000958-20	Coupling Nut
12	016753-40	EasyInstall CWS RTC Eterna (Teflon)
13	016743-25	CWS Bonnet
14	009002-25	Packing Nut
15	001257-40	Bell Escutcheon
16	001661-45	Red Index-HW



Product Specifications:
 8" Deck Mount EasyInstall Mixing Faucet, Eterna Cartridges, Rigid Gooseneck w/ Stream Regulator Outlet, Pop-Up Drain and 1/2" NPSM Male Inlets

Product Compliance:
 ASME A112.18.1 / CSA B125.1
 NSF 61 - Section 9
 NSF 372 (Low Lead Content)
 ANSI A117.1 (ADA)



T&S BRASS AND BRONZE WORKS, INC.

2 SADDLEBACK COVE / P.O. BOX 1088 / TRAVELERS REST, SC 29690

PHONE 800-476-4103

FAX 864-834-3518



REG.#A2601
ISO #9002

Model No.

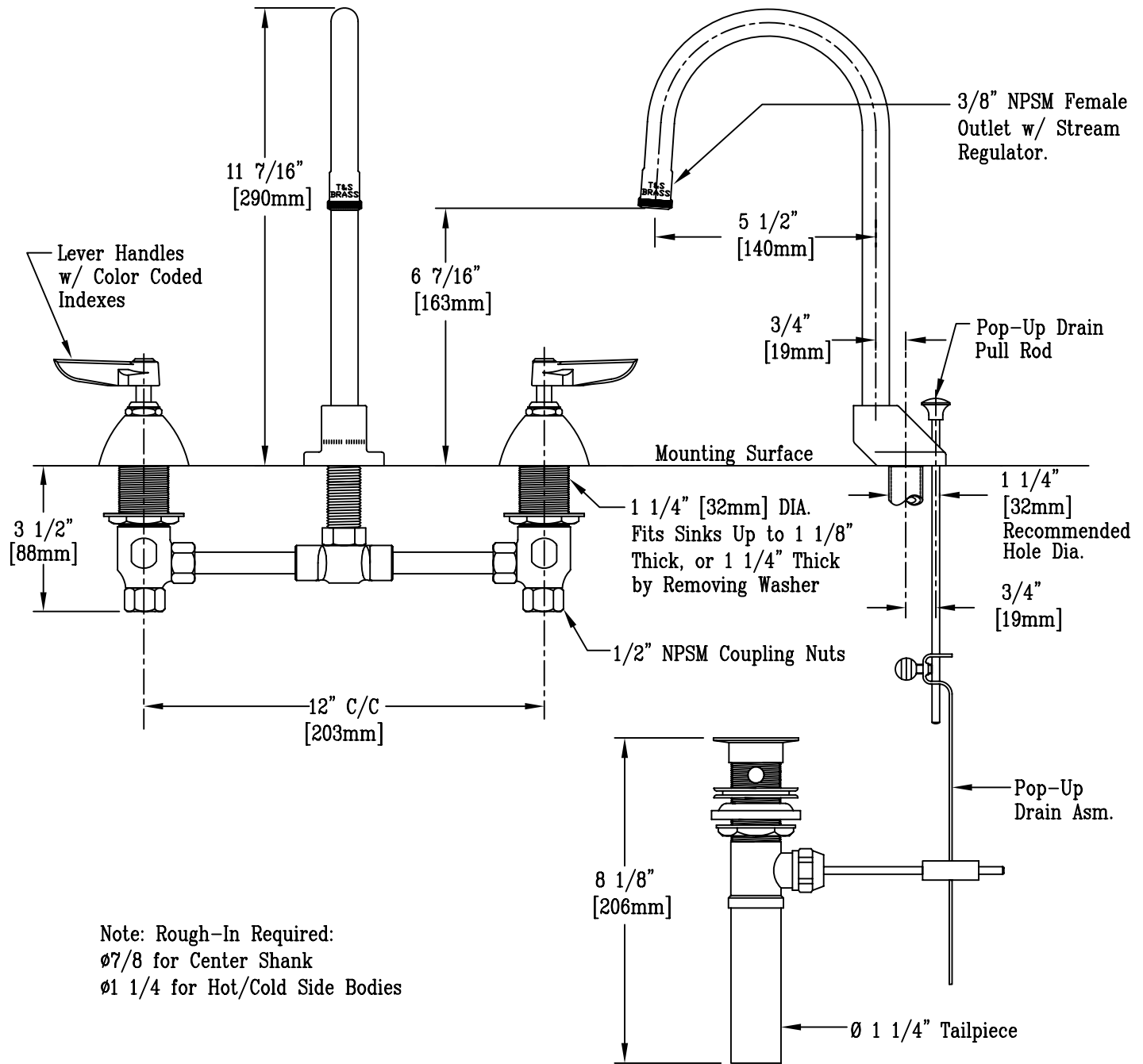
B-2885-L

Item No.:

Job Name:

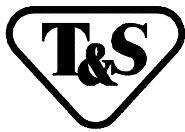
Architect/Engineer Approval:

Notes:



Product Description:
 12" c/c Medical Commercial Faucet w/
 120X Rigid Gooseneck, Stream Regulator,
 Pop-Up Drain & Lever Handles

Drawn: DHL	Checked ARH	Scale: 1:4
Approved JHB	Date: 9/19/07	



T&S BRASS AND BRONZE WORKS, INC.

2 SADDLEBACK COVE / P.O. BOX 1088 / TRAVELERS REST, SC 29690

PHONE 800-476-4103

FAX 803- 834-3518



REG.#A2601
ISO #9002

Model No.

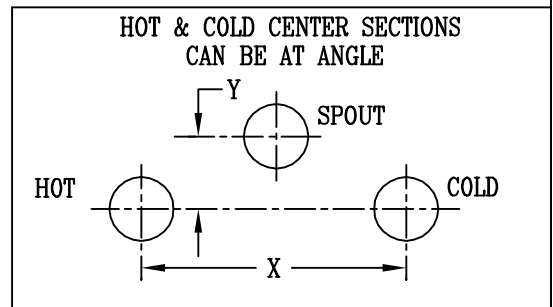
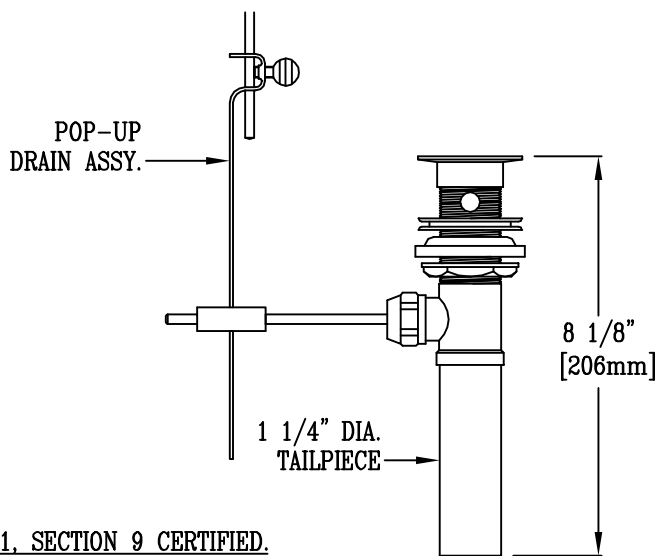
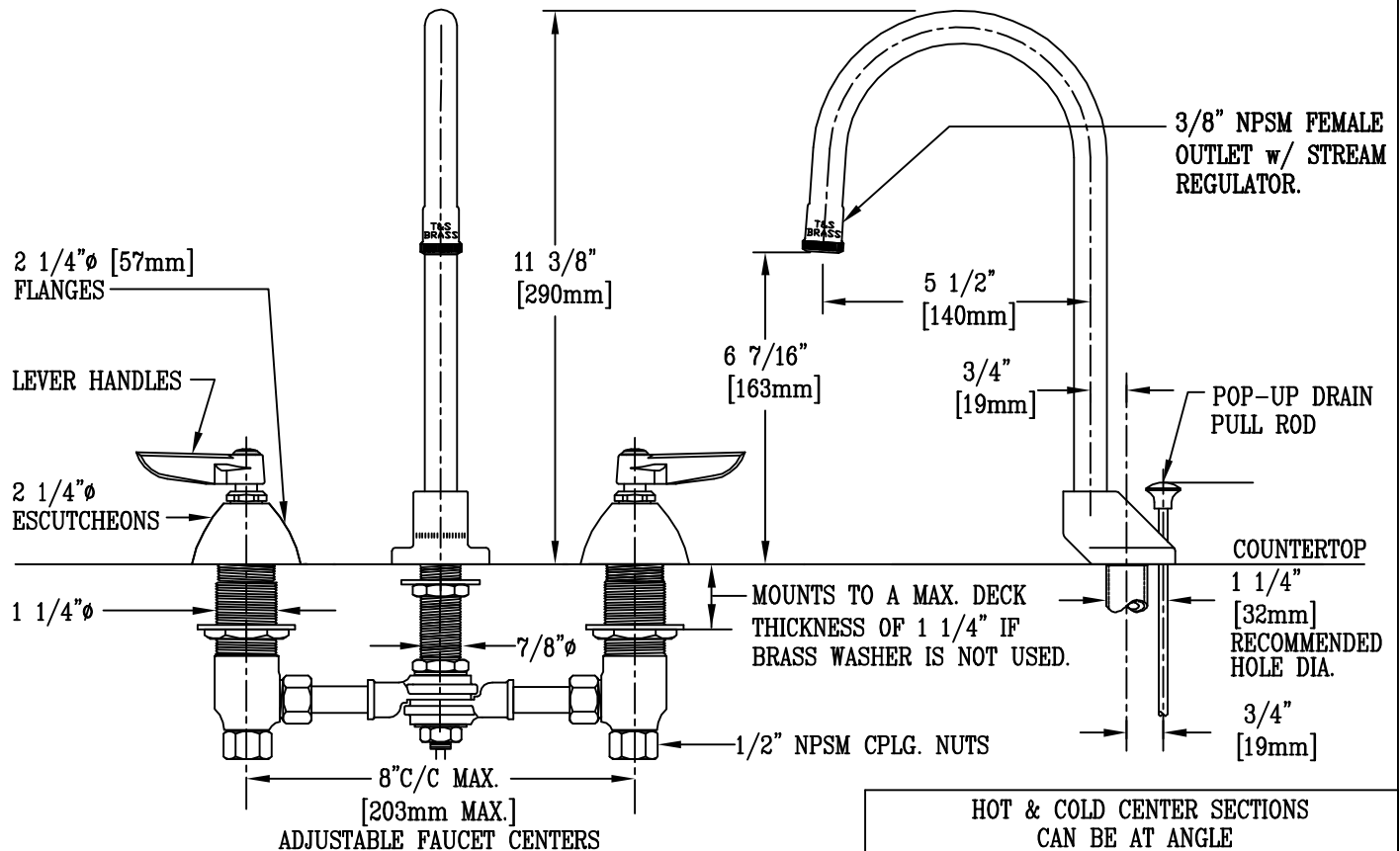
B-0885

Item No.:

Job Name:

Architect/Engineer Approval:

Notes:



IF Y IS	THEN FAUCET WILL FIT X WITH STD. 1/4" NPT CROSS PIPES FURNISHED
1/2"	8"
1"	7 3/4"
1 1/2"	7 3/8"
2"	7"

NSF STANDARD 61, SECTION 9 CERTIFIED.

Product Description:
DECK MOUNTED MIXING FAUCET WITH ADJUSTABLE INLET CENTERS, POP-UP DRAIN, LEVER HANDLES, & 120X RIGID GOOSENECK

Drawn: TEH	Checked WJS	Scale: 3" = 1'
Approved MVW	Date: 2/10/03	