



T&S BRASS AND BRONZE WORKS, INC.

2 Saddleback Cove / P.O. Box 1088
Travelers Rest, SC 29690

Model No.

B-2867-04

Item No.

Travelers Rest, SC: 800-476-4103 • Simi Valley, CA: 800-423-0150 • Fax: 864-834-3518 • www.tsbrass.com

This Space for Architect/Engineer Approval

Job Name _____ Date _____

Model Specified _____ Quantity _____

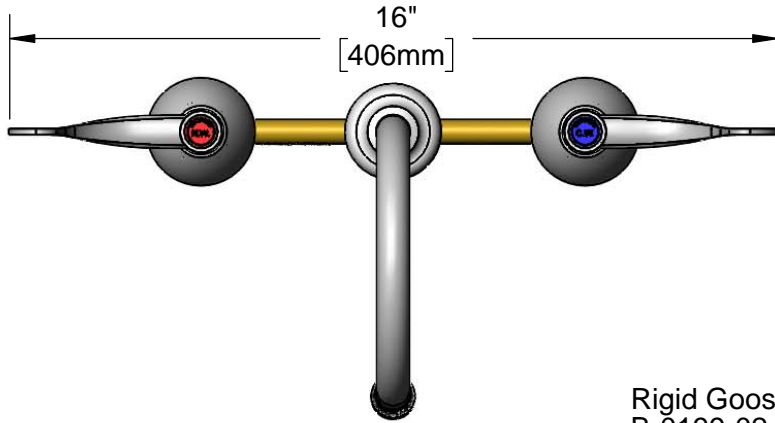
Customer/Wholesaler _____

Contractor _____

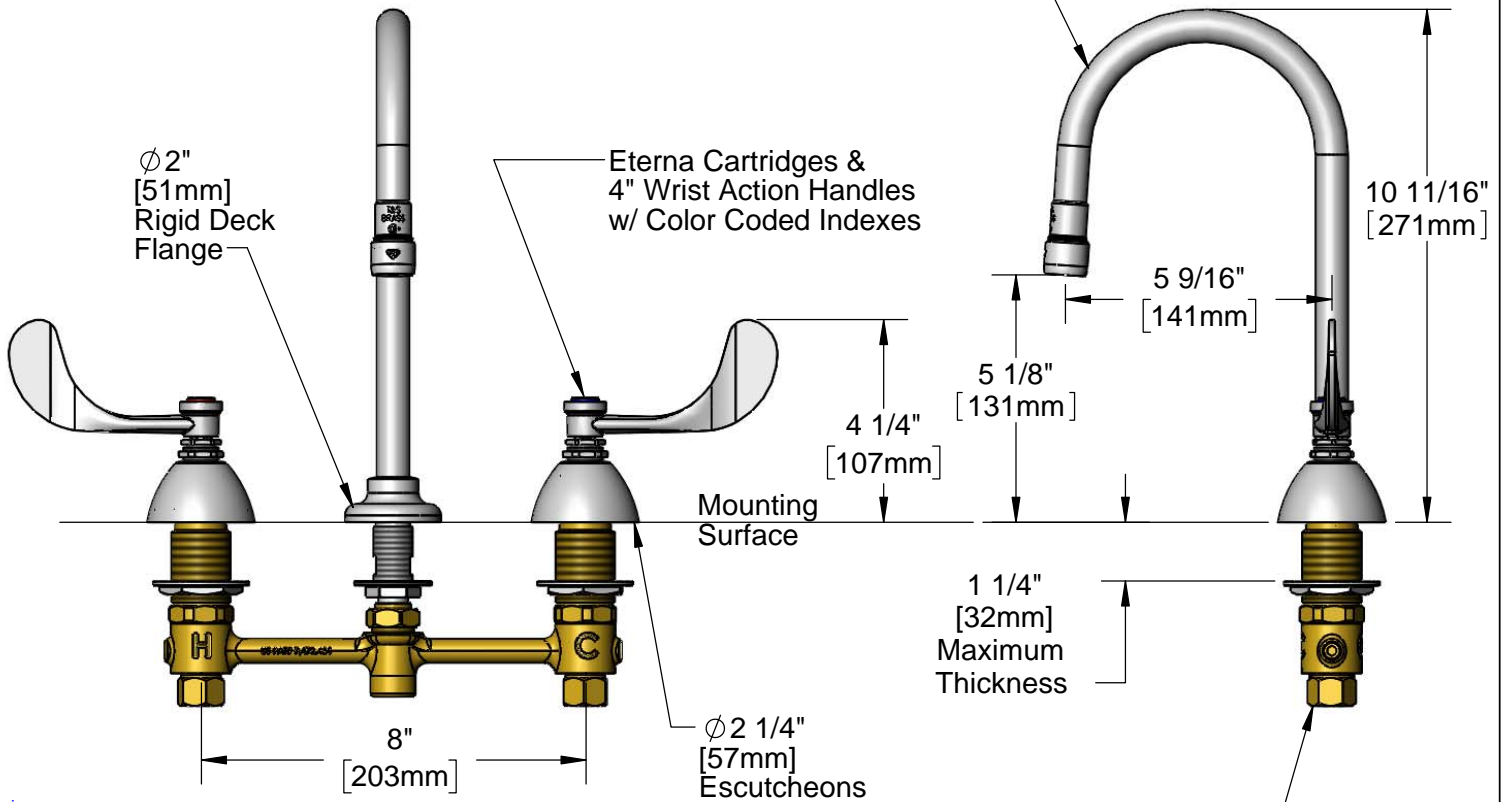
Architect/Engineer _____



ADA Compliant



Rigid Gooseneck w/
B-0199-02
2.2 GPM Aerator



Rough-In Requirement:
Center Shank: $\phi 1$ " [25mm] Mounting Hole
Hot/Cold Side: $\phi 1 \frac{1}{2}$ " [38mm] Mounting Holes

1/2" NPSM
Male Inlets w/
Coupling Nuts

Product Specifications:

8" Deck Mount EasyInstall Mixing Faucet, Eterna Cartridges, 4" Wrist Action Handles, Rigid Gooseneck, 2.2 GPM Aerator & 1/2" NPSM Male Inlets

Product Compliance:

ASME A112.18.1 / CSA B125.1
NSF 61 - Section 9
NSF 372 (Low Lead Content)
ANSI A117.1 (ADA)

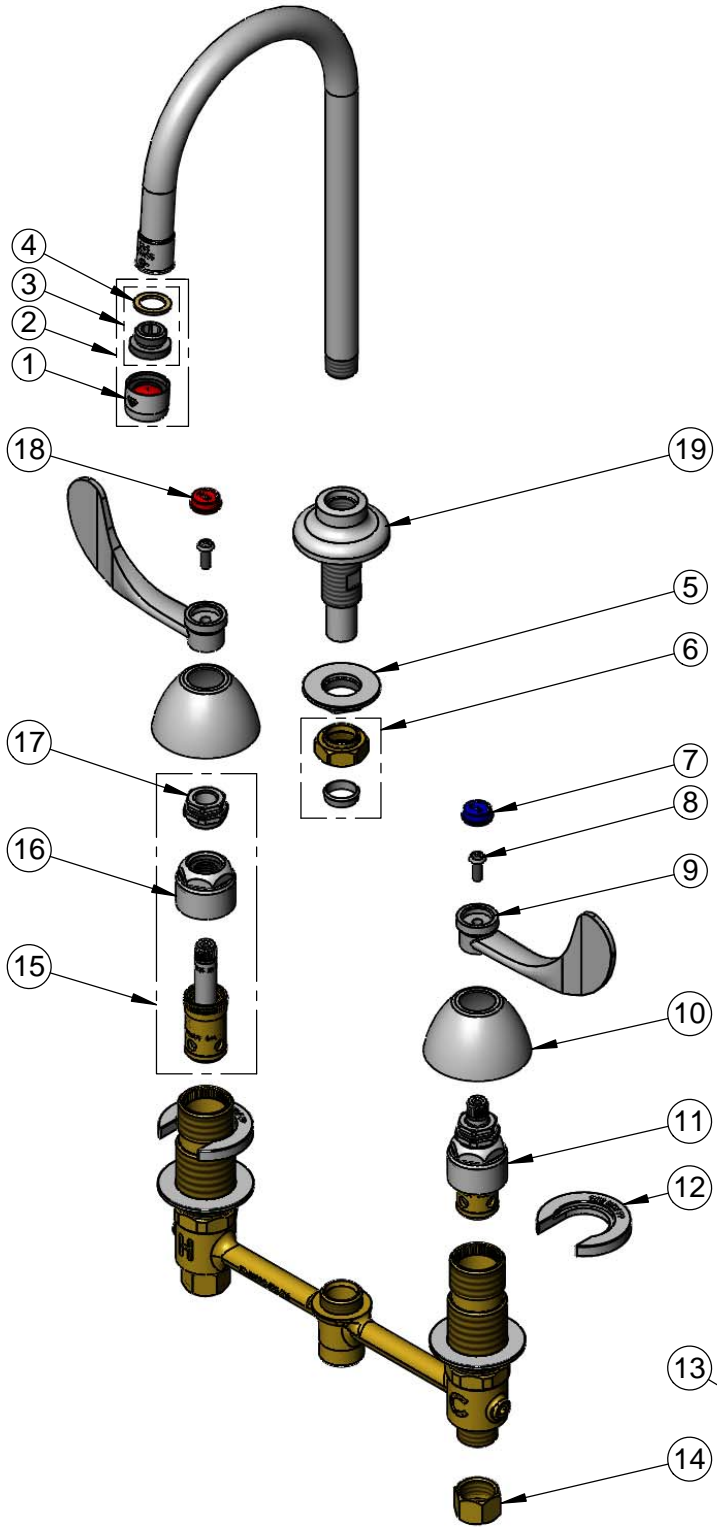


T&S BRASS AND BRONZE WORKS, INC.
 2 Saddleback Cove / P.O. Box 1088
 Travelers Rest, SC 29690

Model No.
B-2867-04

Item No.

Travelers Rest, SC: 800-476-4103 • Simi Valley, CA: 800-423-0150 • Fax: 864-834-3518 • www.tsbrass.com



| ITEM NO. | SALES NO. | DESCRIPTION |
|----------|-----------|--------------------------------------|
| 1 | B-0199-01 | 2.2 GPM Aerator, 55/64"-27 UN Female |
| 2 | B-0199-02 | 2.2 GPM Aerator, Male |
| 3 | 044A | 3/8" to Aerator Adapter |
| 4 | 001043-45 | Washer |
| 5 | 016742-45 | Center Flange Nut |
| 6 | 016745-45 | Compression Nut & Fitting |
| 7 | 001686-45 | Blue Index - CW |
| 8 | 000925-45 | Lab Handle Screw |
| 9 | B-WH4 | 4" Wrist Action Handle |
| 10 | 001257-40 | Bell Escutcheon |
| 11 | 016752-40 | EasyInstall CWS LTC Eterna (Teflon) |
| 12 | 016749-45 | Sidebody C-Washer |
| 13 | 016777-45 | CWS Hanger |
| 14 | 000958-20 | Coupling Nut |
| 15 | 016753-40 | EasyInstall CWS RTC Eterna (Teflon) |
| 16 | 016743-25 | CWS Bonnet |
| 17 | 009002-25 | Packing Nut |
| 18 | 001194-45 | Red Index - HW |
| 19 | 016847-40 | EasyInstall CWS Rigid Center Shank |



017245-40
 Installation Repair Kit
 Includes #5, (2)#12, & #13

Product Specifications:
 8" Deck Mount EasyInstall Mixing Faucet, Eterna Cartridges, 4" Wrist Action Handles, Rigid Gooseneck, 2.2 GPM Aerator & 1/2" NPSM Male Inlets

Product Compliance:
 ASME A112.18.1 / CSA B125.1
 NSF 61 - Section 9
 NSF 372 (Low Lead Content)
 ANSI A117.1 (ADA)