



# T&S BRASS AND BRONZE WORKS, INC.

2 Saddleback Cove / P.O. Box 1088  
Travelers Rest, SC 29690

Model No.

**B-2853-RSW**

Item No.

Travelers Rest, SC: 800-476-4103 • Simi Valley, CA: 800-423-0150 • Fax: 864-834-3518 • www.tsbrass.com

This Space for Architect/Engineer Approval

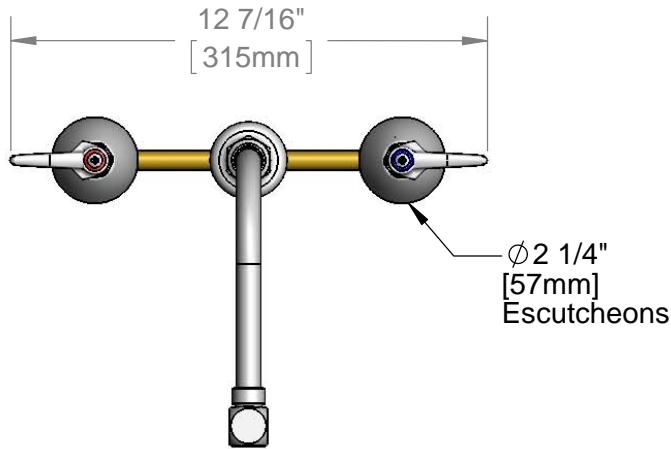
Job Name \_\_\_\_\_ Date \_\_\_\_\_

Model Specified \_\_\_\_\_ Quantity \_\_\_\_\_

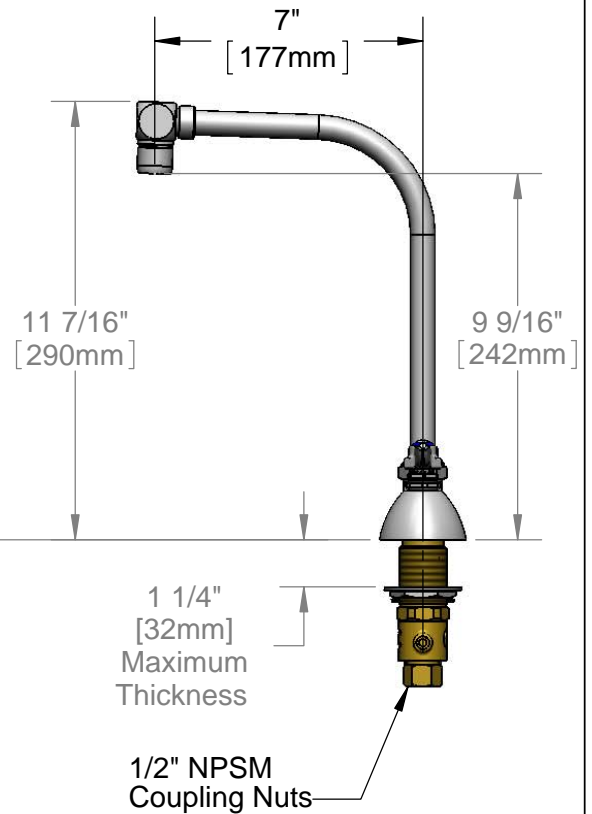
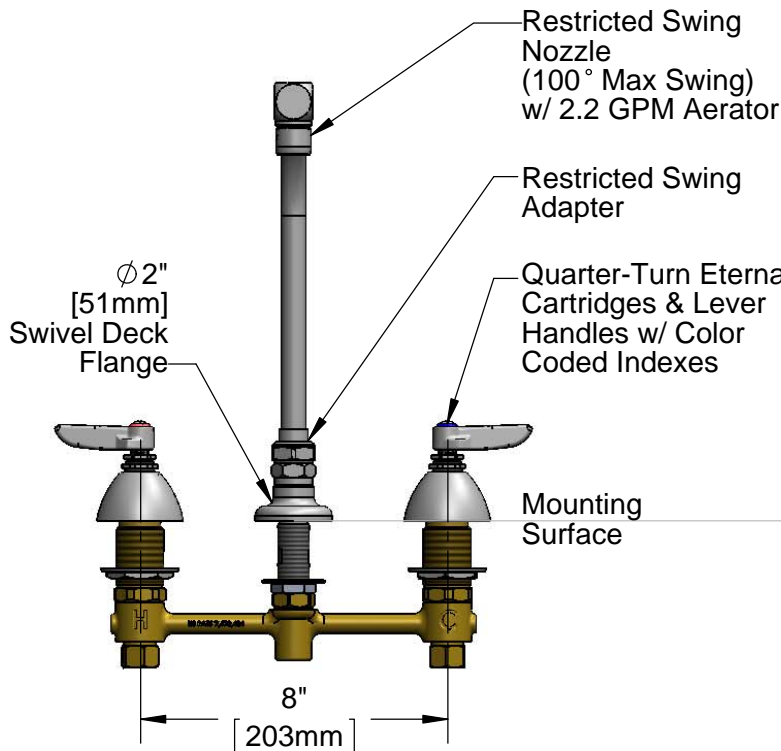
Customer/Wholesaler \_\_\_\_\_

Contractor \_\_\_\_\_

Architect/Engineer \_\_\_\_\_



**ADA Compliant**



**Rough-In Requirement:**  
Ø 1" [25mm] for Center Shank  
Ø 1 1/2" [38mm] for Hot/Cold Side

**Product Specifications:**  
EasyInstall Faucet, Lever Handles, Quarter-Turn Eterna Cartridges, 8" Inlet Centers & High Rise Restricted Swing Nozzle w/ 2.2 GPM Aerator

**Product Compliance:**  
ASME A112.18.1 / CSA B125.1  
NSF 61 - Section 9  
NSF 372 (Low Lead Content)  
ANSI A117.1 (ADA)

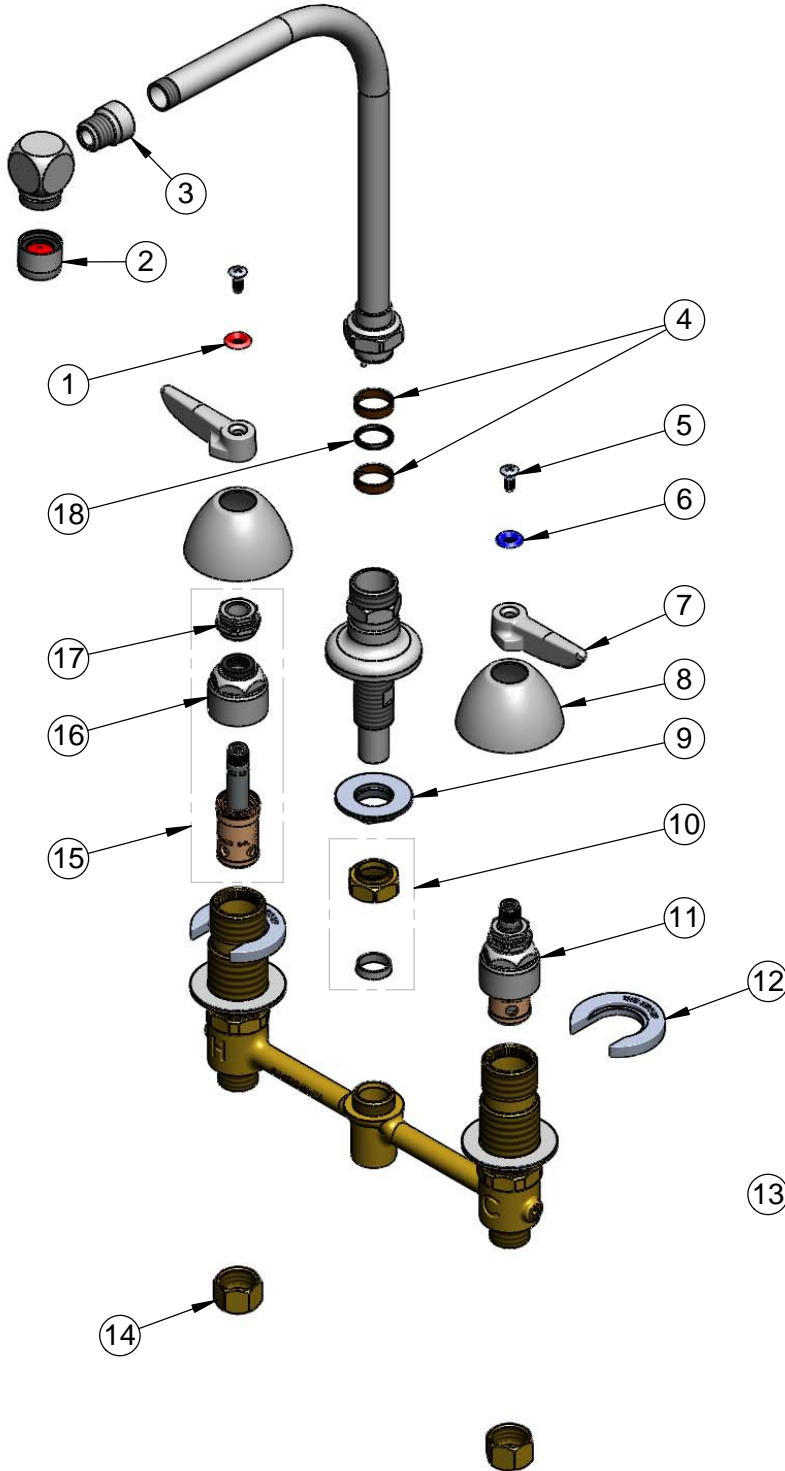


**T&S BRASS AND BRONZE WORKS, INC.**  
 2 Saddleback Cove / P.O. Box 1088  
 Travelers Rest, SC 29690

Model No.  
**B-2853-RSW**

Item No.

Travelers Rest, SC: 800-476-4103 • Simi Valley, CA: 800-423-0150 • Fax: 864-834-3518 • www.tsbrass.com



ITEM NO.	SALES NO.	DESCRIPTION
1	001661-45	Red Index-HW
2	B-0199-01	2.2 GPM Aerator
3	000564-25	Adapter
4	011429-45	Swivel Sleeve (2)
5	001660-45	Blue Index-CW
6	000922-45	Lever Handle Screw
7	001638-45	Lever Handle
8	001257-40	Bell Escutcheon
9	016742-45	Center Flange Nut
10	016745-45	Compression Nut & Fitting
11	016925-40	EasyInstall CWS LTC Quarter-Turn Eterna (Teflon)
12	016749-45	C-Washer
13	016777-45	CWS Hanger
14	000958-20	Coupling Nut
15	016926-40	EasyInstall CWS RTC Quarter-Turn Eterna (Teflon)
16	016743-25	CWS Bonnet Assembly
17	009002-25	Packing Nut Assembly
18	001074-45	O-Ring



017245-40  
 Installation Repair Kit  
 Includes #9, (2)#12, & #13

Product Specifications:  
 EasyInstall Faucet, Lever Handles, Quarter-Turn Eterna Cartridges, 8" Inlet Centers & High Rise Restricted Swing Nozzle w/ 2.2 GPM Aerator

Product Compliance:  
 ASME A112.18.1 / CSA B125.1  
 NSF 61 - Section 9  
 NSF 372 (Low Lead Content)  
 ANSI A117.1 (ADA)



**T&S BRASS AND BRONZE WORKS, INC.**

2 Saddleback Cove / P.O. Box 1088  
Travelers Rest, SC 29690

Model No.

**B-2853-RSW-061X**

Item No.

Travelers Rest, SC: 800-476-4103 • Simi Valley, CA: 800-423-0150 • Fax: 864-834-3518 • www.tsbrass.com

This Space for Architect/Engineer Approval

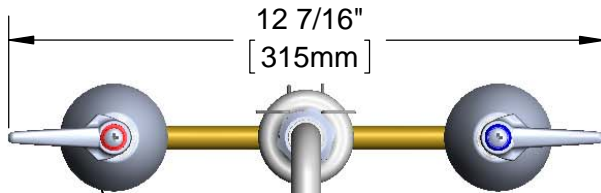
Job Name \_\_\_\_\_ Date \_\_\_\_\_

Model Specified \_\_\_\_\_ Quantity \_\_\_\_\_

Customer/Wholesaler \_\_\_\_\_

Contractor \_\_\_\_\_

Architect/Engineer \_\_\_\_\_



Ø2 1/4"  
[57mm]  
Escutcheons



**ADA Compliant**

Restricted Swing Adapter

10" Restricted Swing Nozzle  
(100° Max Swing) w/  
B-0199-06F-05  
0.5 GPM Flow Control VR Aerator

1/4 Turn Eternas  
& Lever Handles  
w/ Color Coded  
Indexes

Ø2"  
[51mm]  
Swivel Deck  
Flange

4 1/4"  
[109mm]

Mounting Surface

10"  
[254mm]

7 1/2"  
[190mm]

1 1/4"  
[32mm]  
Max Thickness

1/2" NPSM  
Coupling Nuts

8"  
[203mm]

Rough-In Requirement:  
Ø1" [25mm] for Center Shank  
Ø1 1/2" [38mm] for Hot/Cold Sides

Product Specifications:  
EasyInstall Faucet w/ Lever Handles, Eterna Cartridges,  
10" Restricted Swing Nozzle w/ 0.5 GPM Vandal Resistant Aerator

Drawn

**JRM**

Checked

**DMH**

Approved

**JHB**

Scale:

**1:4**

Date:

**06/21/12**

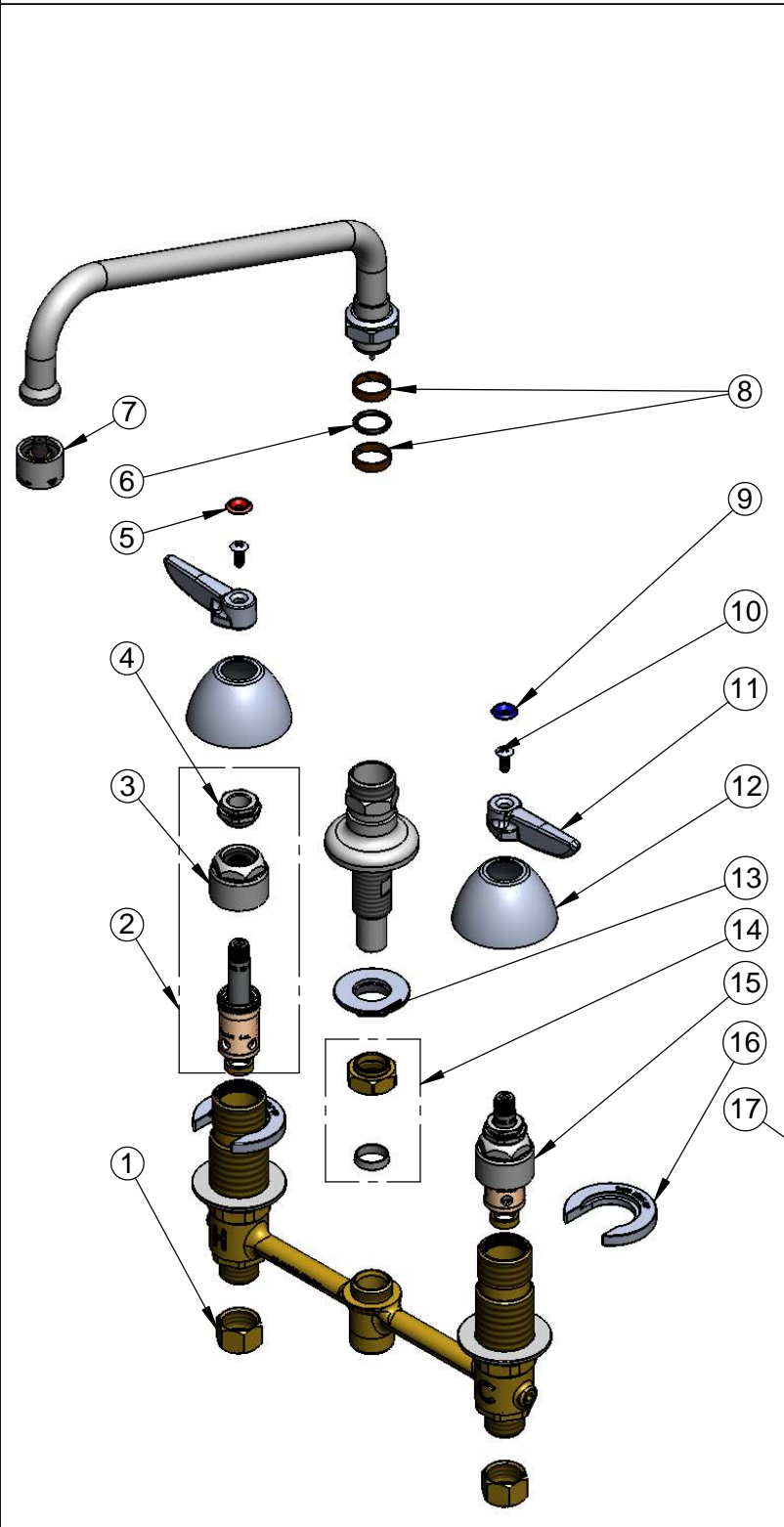


**T&S BRASS AND BRONZE WORKS, INC.**  
 2 Saddleback Cove / P.O. Box 1088  
 Travelers Rest, SC 29690

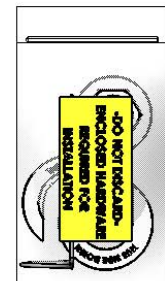
Model No.  
**B-2853-RSW-061X**

Item No.

Travelers Rest, SC: 800-476-4103 • Simi Valley, CA: 800-423-0150 • Fax: 864-834-3518 • www.tsbrass.com



ITEM NO.	SALES NO.	DESCRIPTION
1	000958-20	Coupling Nut
2	016926-40	EasyInstall CWS RTC 1/4 Turn Eterna (Teflon)
3	016743-25	CWS Eterna Bonnet
4	009002-25	Packing Nut Assembly
5	001661-45	Red Index-HW
6	001074-45	O-Ring
7	B-0199-06F-05	VR Aerator w/ 0.5 GPM Flow Control w/ VR Key
8	011429-45	Swivel Sleeves (2)
9	001660-45	Blue Index-CW
10	000922-45	Lever Handle Screw
11	001638-45	Lever Handle
12	001257-40	Bell Escutcheon
13	016742-45	Center Flange Nut
14	016745-45	Compression Nut & Fitting
15	016925-40	EasyInstall CWS LTC 1/4 Turn Eterna (Teflon)
16	016749-45	Sidebody C-Washer
17	016777-45	CWS Hanger



017245-40  
 Installation Repair Kit  
 Includes #13, (2) #16, & #17



015425-45  
 Vandal Resistant Aerator Key

Product Specifications:  
 EasyInstall Faucet w/ Lever Handles, Eterna Cartridges,  
 10" Restricted Swing Nozzle w/ 0.5 GPM Vandal Resistant Aerator

Drawn <b>JRM</b>	Checked <b>DMH</b>	Approved <b>JHB</b>
Scale: <b>NTS</b>		Date: <b>06/21/12</b>



**T&S BRASS AND BRONZE WORKS, INC.**  
 2 Saddleback Cove / P.O. Box 1088  
 Travelers Rest, SC 29690

Model No.  
**B-2853-RSW-VR05**

Item No.

Travelers Rest, SC: 800-476-4103 • Simi Valley, CA: 800-423-0150 • Fax: 864-834-3518 • www.tsbrass.com

This Space for Architect/Engineer Approval

Job Name \_\_\_\_\_ Date \_\_\_\_\_

Model Specified \_\_\_\_\_ Quantity \_\_\_\_\_

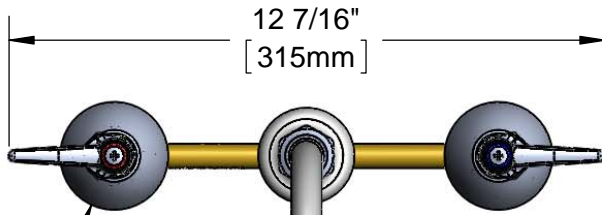
Customer/Wholesaler \_\_\_\_\_

Contractor \_\_\_\_\_

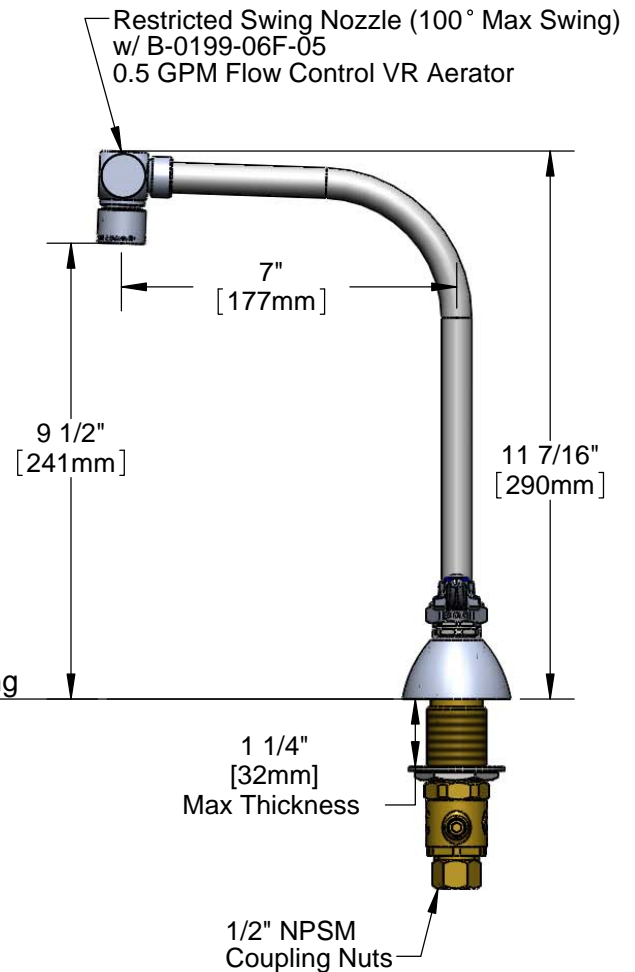
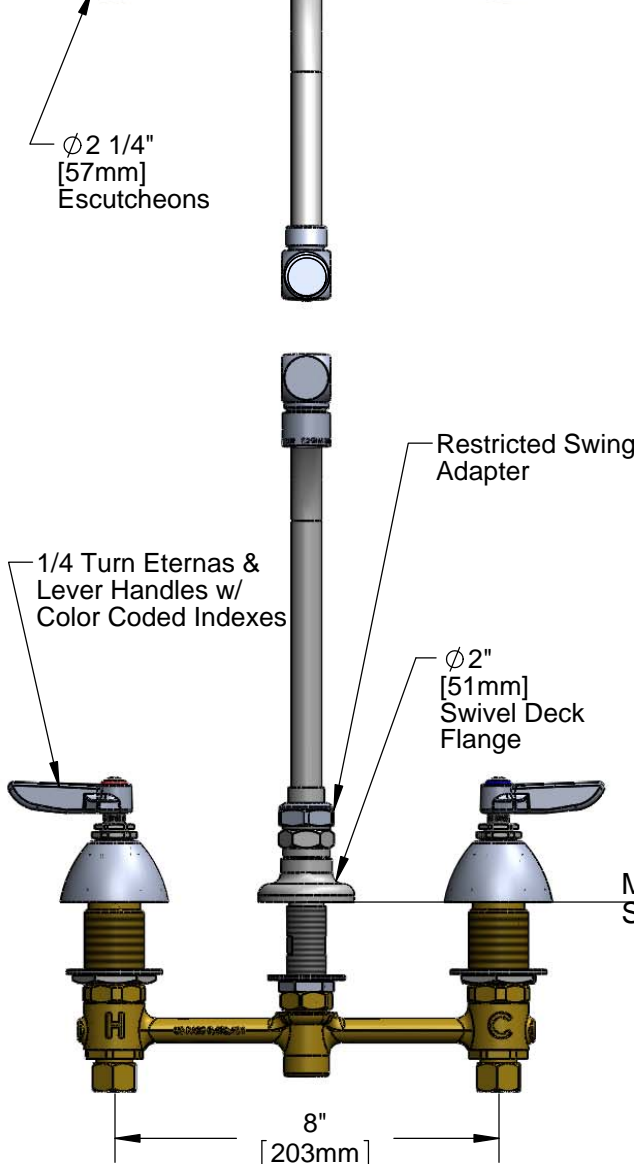
Architect/Engineer \_\_\_\_\_



**ADA Compliant**



Ø2 1/4"  
 [57mm]  
 Escutcheons



Rough-In Requirement:  
 Ø1" [25mm] for Center Shank  
 Ø1 1/2" [38mm] for Hot/Cold Side

Product Specifications:  
 EasyInstall Faucet, Lever Handles, Restricted Swing Nozzle  
 w/ 0.5 GPM Flow Control VR Aerator, Eterna, 8" Inlet Centers

Drawn <b>JRM</b>	Checked <b>DMH</b>	Approved <b>JHB</b>
Scale: <b>1:4</b>		Date: <b>06/21/12</b>





# T&S BRASS AND BRONZE WORKS, INC.

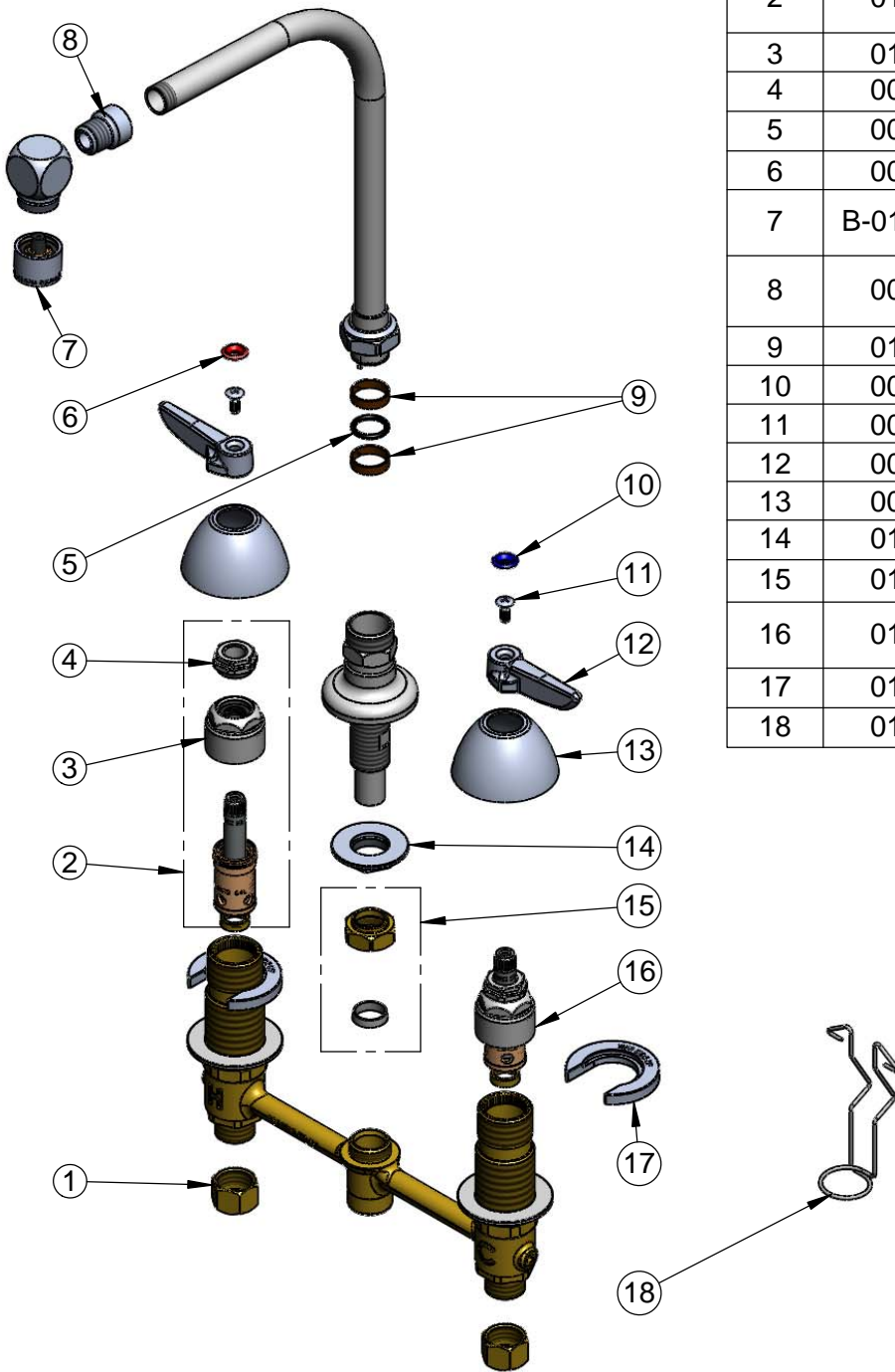
2 Saddleback Cove / P.O. Box 1088  
Travelers Rest, SC 29690

Model No.

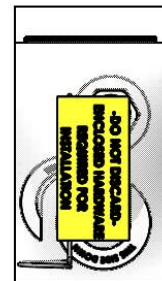
**B-2853-RSW-VR05**

Item No.

Travelers Rest, SC: 800-476-4103 • Simi Valley, CA: 800-423-0150 • Fax: 864-834-3518 • www.tsbrass.com



ITEM NO.	SALES NO.	DESCRIPTION
1	000958-20	Coupling Nut
2	016926-40	EasyInstall CWS RTC 1/4 Turn Eterna (Teflon)
3	016743-25	CWS Eterna Bonnet
4	009002-25	Packing Nut Assembly
5	001074-45	O-Ring
6	001661-45	Red Index-HW
7	B-0199-06F-05	55/64-27 Female VR Aerator w/ VR Key
8	000564-25	Adapter, 3/8 NPT Male x 5/8-27 Female
9	011429-45	Swivel Sleeves (2)
10	001660-45	Blue Index-CW
11	000922-45	Lever Handle Screw
12	001638-45	Lever Handle
13	001257-40	Bell Escutcheon
14	016742-45	Center Flange Nut
15	016745-45	Compression Nut & Fitting
16	016925-40	EasyInstall CWS LTC 1/4 Turn Eterna (Teflon)
17	016749-45	Sidebody C-Washer
18	016777-45	CWS Hanger



017245-40  
Installation Repair Kit  
Includes #14, (2)#17, & #18



015425-45  
Vandal Resistant Aerator Key

Product Specifications:  
EasyInstall Faucet, Lever Handles, Restricted Swing Nozzle  
w/ 0.5 GPM Flow Control VR Aerator, Eterna, 8" Inlet Centers

Drawn <b>JRM</b>	Checked <b>DMH</b>	Approved <b>JHB</b>
Scale: <b>NTS</b>		Date: <b>06/21/12</b>