



T&S BRASS AND BRONZE WORKS, INC.

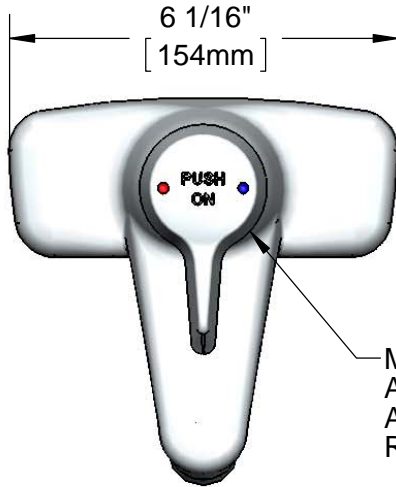
2 Saddleback Cove / P.O. Box 1088
Travelers Rest, SC 29690

Model No.

B-2760-H

Item No.

Travelers Rest, SC: 800-476-4103 • Simi Valley, CA: 800-423-0150 • Fax: 864-834-3518 • www.tsbrass.com



ADA Compliant

This Space for Architect/Engineer Approval

Job Name _____ Date _____

Model Specified _____ Quantity _____

Customer/Wholesaler _____

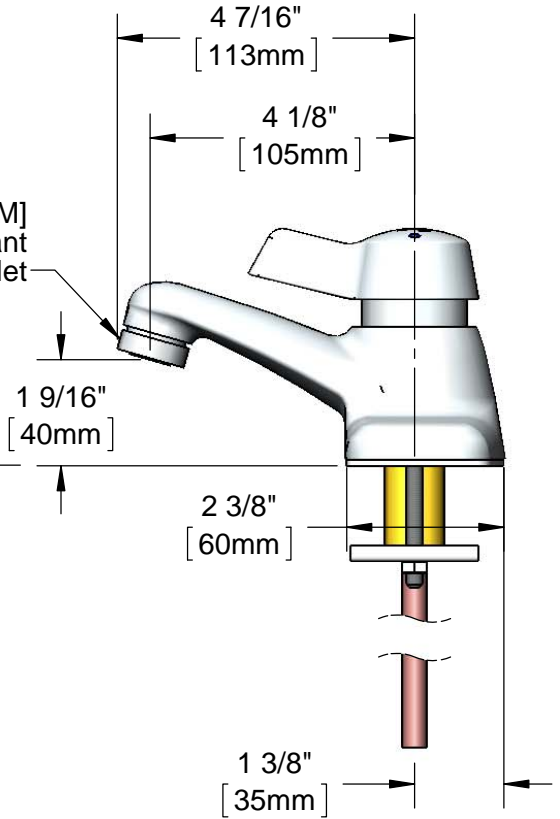
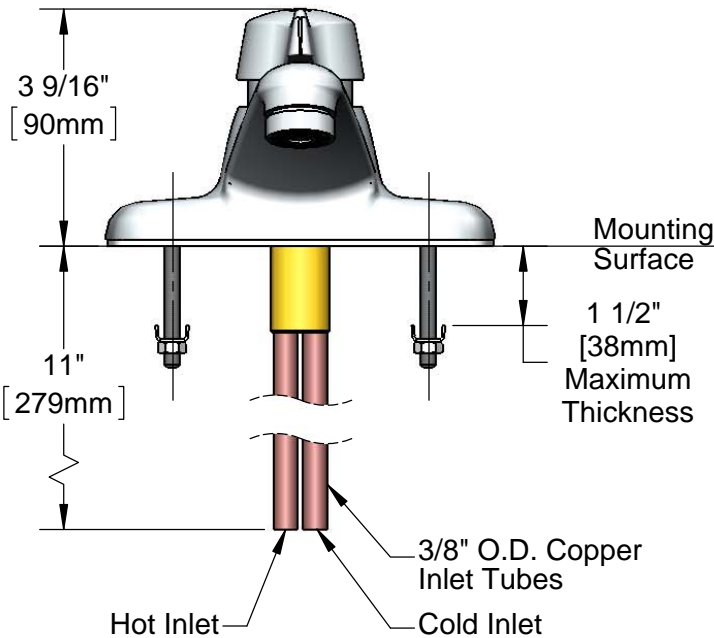
Contractor _____

Architect/Engineer _____

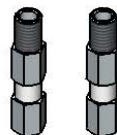
Metering and Temperature Adjustment Handle. Push to Activate Metered Water Flow, Rotate to Adjust Temperature.



0.5 GPM [1.9 LPM]
Vandal Resistant
Spray Outlet



Rough-In Dimensions:
(3) Holes on 2" Centers,
Ø 1" Min. for Center Hole



Furnished with (2) In-line Check / Screen Assemblies with 9/16-24 UN Threads (3/8 Compression) to fit Supply Stops. (Stops Supplied by Others)

Product Specifications:

Metering Lavatory Faucet, Chrome Plated Solid Brass, Single Handle Temperature Control, Adjustable Temperature Limit and Time Limit Stops, 0.5 GPM Vandal Resistant Spray Outlet and Inlet Check Valves / Filter Screens.

Product Compliance:

ASME A112.18.1 / CSA B125.1
NSF 61 - Section 9
NSF 372 (Low Lead Content)
ANSI A117.1 (ADA)