



T&S BRASS AND BRONZE WORKS, INC.

2 Saddleback Cove / P.O. Box 1088
Travelers Rest, SC 29690

Model No.

B-2711

Item No.

Travelers Rest, SC: 800-476-4103 • Simi Valley, CA: 800-423-0150 • Fax: 864-834-3518 • www.tsbrass.com



ADA Compliant

This Space for Architect/Engineer Approval

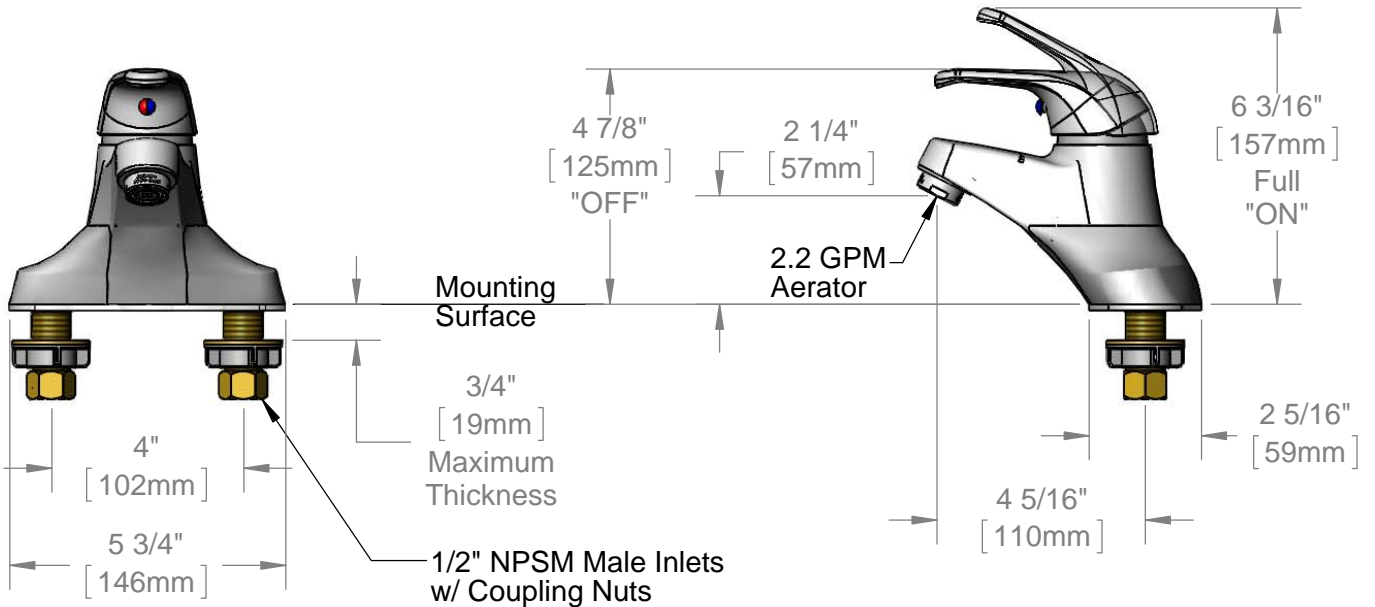
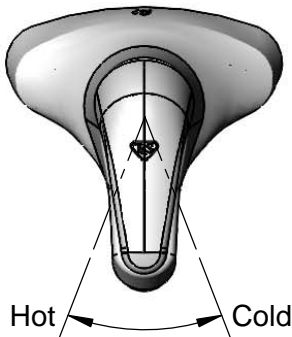
Job Name _____ Date _____

Model Specified _____ Quantity _____

Customer/Wholesaler _____

Contractor _____

Architect/Engineer _____



Rough-In Requirement:
(2) ϕ 1" [25mm] Mounting Holes

Product Specifications:
4" Deck Mount Single Lever Faucet, Temperature Limit Stop,
Ceramic Cartridge & 1/2" NPSM Male Inlets

Product Compliance:
ASME A112.18.1 / CSA B125.1
NSF 61 - Section 9
NSF 372 (Low Lead Content)
ANSI A117.1 (ADA)



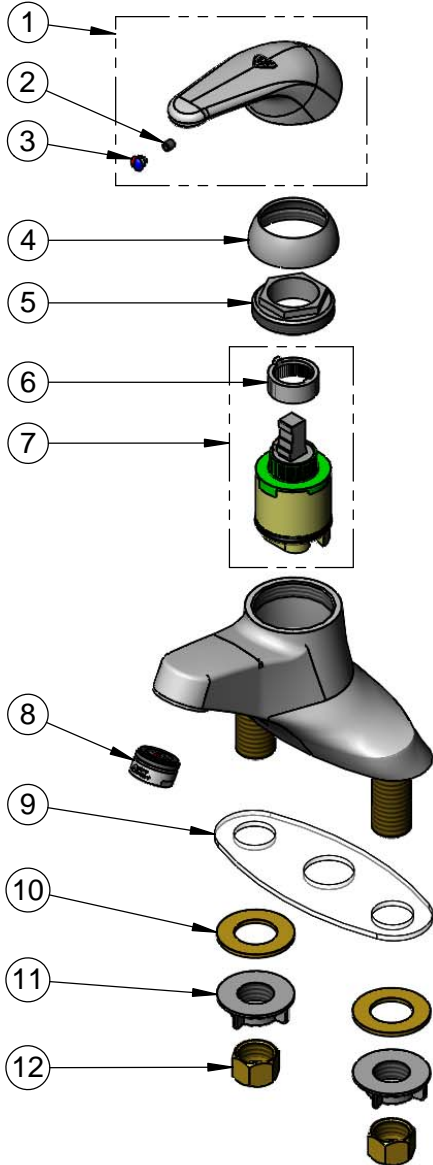
T&S BRASS AND BRONZE WORKS, INC.
 2 Saddleback Cove / P.O. Box 1088
 Travelers Rest, SC 29690

Model No.
B-2711

Item No.

Travelers Rest, SC: 800-476-4103 • Simi Valley, CA: 800-423-0150 • Fax: 864-834-3518 • www.tsbrass.com

ITEM NO.	SALES NO.	DESCRIPTION
1	013113-45	Single Lever Short Handle
2	016675-45	Set Screw
3	014173-45	Index, Temperature
4	016661-45	Trim Ring
5	016663-45	Locking Nut
6	015400-45	Temperature Limit Stop
7	013111-45	Ceramic Cartridge w/ Temperature Limit Stop
8	016671-45	2.2 GPM Aerator
9	014167-45	Deck Gasket
10	000999-45	Brass Lock Washer
11	016673-45	Shank Nut
12	000958-20	Coupling Nut



Product Specifications:
 4" Deck Mount Single Lever Faucet, Temperature Limit Stop,
 Ceramic Cartridge & 1/2" NPSM Male Inlets

Product Compliance:
 ASME A112.18.1 / CSA B125.1
 NSF 61 - Section 9
 NSF 372 (Low Lead Content)
 ANSI A117.1 (ADA)



T&S BRASS AND BRONZE WORKS, INC.

2 Saddleback Cove / P.O. Box 1088
Travelers Rest, SC 29690

Model No.

B-2711-LF15

Item No.

Travelers Rest, SC: 800-476-4103 • Simi Valley, CA: 800-423-0150 • Fax: 864-834-3518 • www.tsbrass.com



ADA Compliant

This Space for Architect/Engineer Approval

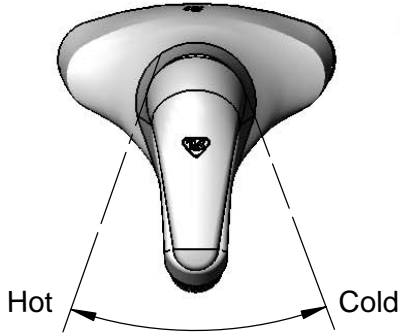
Job Name _____ Date _____

Model Specified _____ Quantity _____

Customer/Wholesaler _____

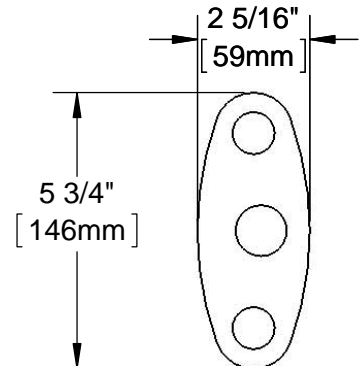
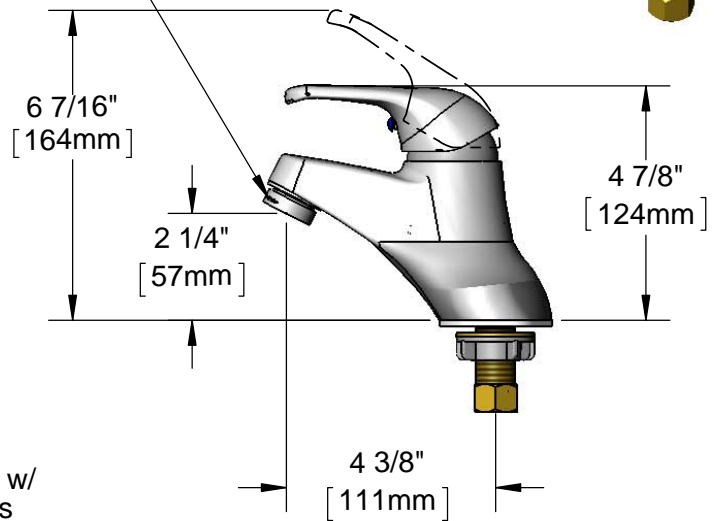
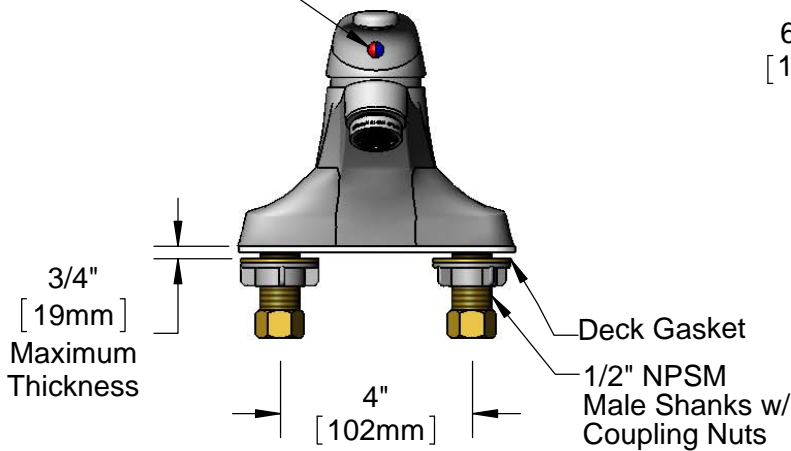
Contractor _____

Architect/Engineer _____



B-0199-09-LF15
Vandal Resistant
1.5 GPM Laminar
Flow Device

Removable Index for
Access to Handle
Screw

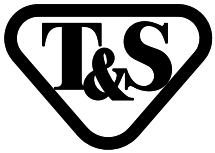


Note: Faucet Contains Temperature Limit Adjustment.
Remove Handle With Hex Key to Access and
Reposition Stop, to the Left or Right of Original
Position for Lower or Higher Maximum Temperature

Rough-In Requirement:
(3) ϕ 1" [25mm] Mounting Holes

Product Specifications:
4" Centerset Single Lever Faucet, Temperature Limit Stop, Ceramic
Cartridge & Vandal Resistant 1.5 GPM Laminar Flow Device

Drawn KJG	Checked DHL	Approved JHB
Scale: 1:4		Date: 07/06/12



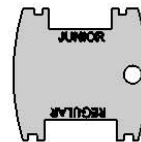
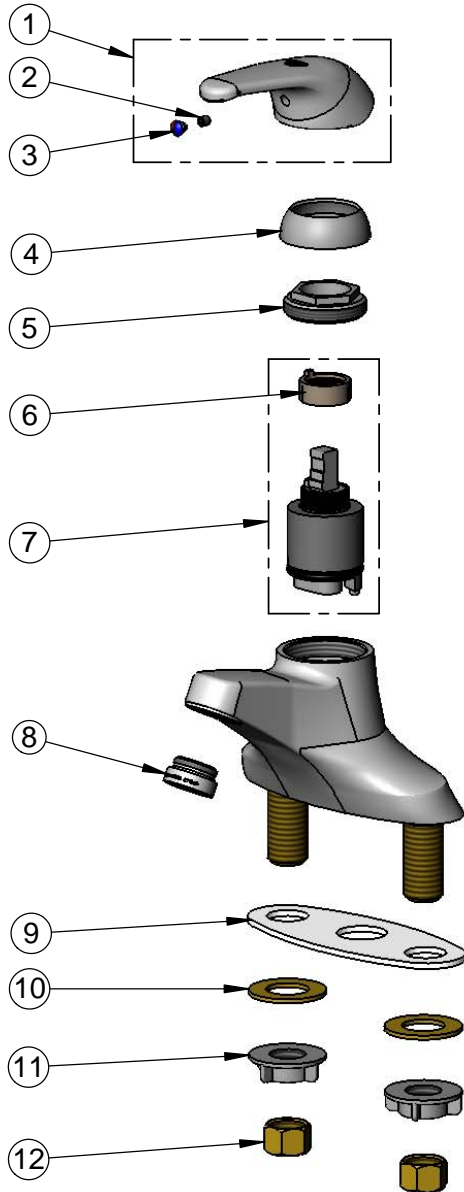
T&S BRASS AND BRONZE WORKS, INC.
 2 Saddleback Cove / P.O. Box 1088
 Travelers Rest, SC 29690

Model No.
B-2711-LF15

Item No.

Travelers Rest, SC: 800-476-4103 • Simi Valley, CA: 800-423-0150 • Fax: 864-834-3518 • www.tsbrass.com

ITEM NO.	SALES NO.	DESCRIPTION
1	013113-45	Handle, Single Lever
2	016675-45	Set Screw
3	014173-45	Index, Temperature
4	016661-45	Trim Ring
5	016663-45	Locking Nut
6	015400-45	Temperature Limit Stop
7	013111-45	Ceramic Cartridge
8	B-0199-09-LF15	VR 1.5 GPM Laminar Flow Device,
9	014167-45	Deck Gasket
10	000999-45	Brass Lock Washer
11	016673-45	Shank Nut
12	000958-20	Coupling Nut



015425-45
 Vandal Resistant Key
 (Included)

Product Specifications:
 4" Centerset Single Lever Faucet, Temperature Limit Stop, Ceramic Cartridge & Vandal Resistant 1.5 GPM Laminar Flow Device

Drawn KJG	Checked DHL	Approved JHB
Scale: NTS		Date: 07/06/12



T&S BRASS AND BRONZE WORKS, INC.

2 Saddleback Cove / P.O. Box 1088
Travelers Rest, SC 29690

Model No.

B-2711-LH

Item No.

Travelers Rest, SC: 800-476-4103 • Simi Valley, CA: 800-423-0150 • Fax: 864-834-3518 • www.tsbrass.com



ADA Compliant

This Space for Architect/Engineer Approval

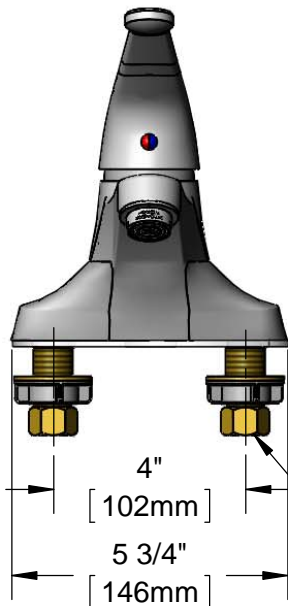
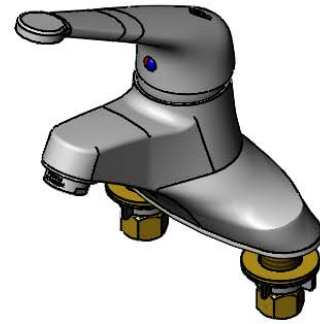
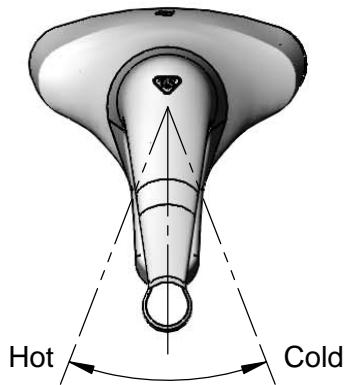
Job Name _____ Date _____

Model Specified _____ Quantity _____

Customer/Wholesaler _____

Contractor _____

Architect/Engineer _____



2.2 GPM
Aerator

6 15/16"
[176mm]
"OFF"

2 1/4"
[57mm]

4 5/16"
[110mm]

1/2" NPSM Male Inlets
w/ Coupling Nuts

4"
[102mm]

5 3/4"
[146mm]

5 9/16"
[142mm]

8 9/16"
[218mm]
Full
"ON"

3/4"
[19mm]
Maximum
Thickness

Rough-In Requirement:
(2) ϕ 1" [25mm] Mounting Holes

Product Specifications:

4" Deck Mount Single Lever Faucet, Long Handle, Temperature Limit Stop, Ceramic Cartridge & 1/2" NPSM Male Inlets

Product Compliance:

ASME A112.18.1 / CSA B125.1
NSF 61 - Section 9
NSF 372 (Low Lead Content)
ANSI A117.1 (ADA)

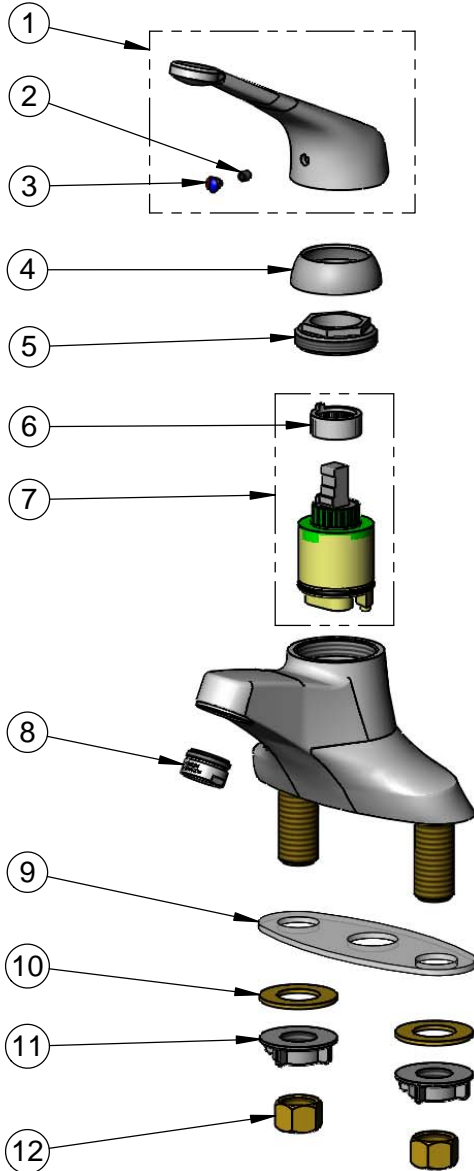


T&S BRASS AND BRONZE WORKS, INC.
 2 Saddleback Cove / P.O. Box 1088
 Travelers Rest, SC 29690

Model No.
B-2711-LH

Item No.

Travelers Rest, SC: 800-476-4103 • Simi Valley, CA: 800-423-0150 • Fax: 864-834-3518 • www.tsbrass.com



ITEM NO.	SALES NO.	DESCRIPTION
1	013429-45	Single Lever Long Handle
2	016675-45	Set Screw
3	014173-45	Index, Temperature
4	016661-45	Trim Ring
5	016663-45	Locking Nut
6	015400-45	Temperature Limit Stop
7	013111-45	Ceramic Cartridge w/ Temperature Limit Stop
8	016671-45	2.2 GPM Aerator
9	014167-45	Deck Gasket
10	000999-45	Brass Lock Washer
11	016673-45	Shank Nut
12	000958-20	Coupling Nut

Product Specifications:

4" Deck Mount Single Lever Faucet, Long Handle, Temperature Limit Stop, Ceramic Cartridge & 1/2" NPSM Male Inlets

Product Compliance:

ASME A112.18.1 / CSA B125.1
 NSF 61 - Section 9
 NSF 372 (Low Lead Content)
 ANSI A117.1 (ADA)



T&S BRASS AND BRONZE WORKS, INC.

2 Saddleback Cove / P.O. Box 1088
Travelers Rest, SC 29690



REG. #A2601
ISO #9001

Model No.

B-2711-VF05

Item No.

Travelers Rest, SC: 800-476-4103 Simi Valley, CA: 800-423-0150 Fax: 864-834-3518 www.tsbrass.com

This Space for Architect/Engineer Approval

Job Name _____ Date _____

Model Specified _____ Quantity _____

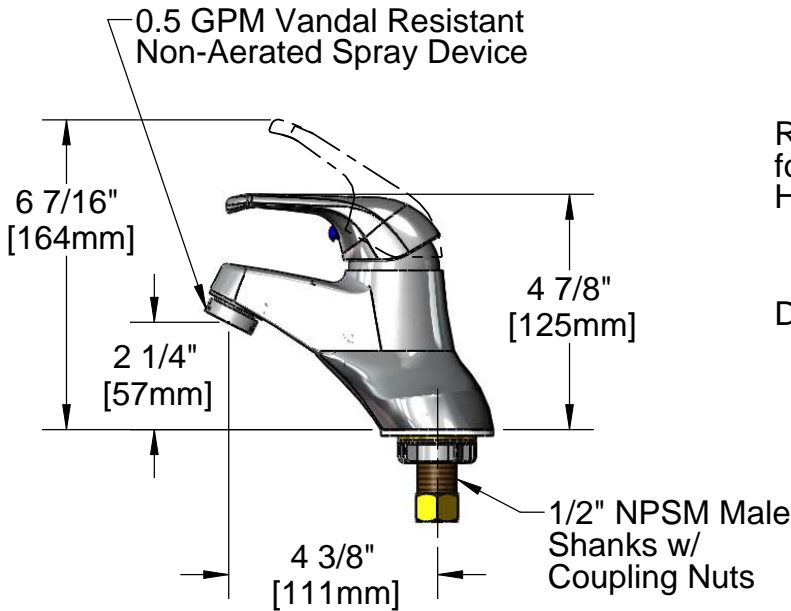
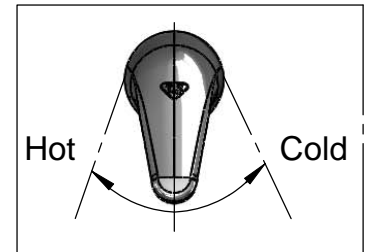
Customer/Wholesaler _____

Contractor _____

Architect/Engineer _____



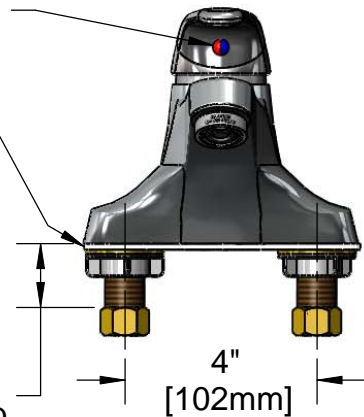
ADA Compliant



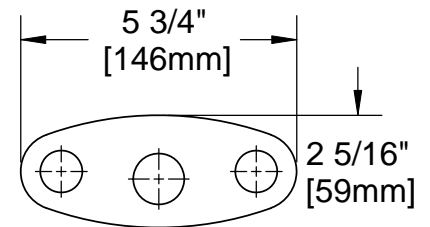
Removable Index for Access to Handle Screw

Deck Gasket

1" [25mm] Max. C'Top Thickness



Note: Faucet Contains Temperature Limit Adjustment. Remove Handle with Hex Key to Access and Reposition Stop, to the Left or Right of Original Position for Lower or Higher Maximum Temperature



Rough-in Requirement: ϕ 1" [25mm] Holes

Product Specifications:

4" Centerset Single Lever Faucet, 1/2" NPSM Male Inlet Shanks, Temperature Limit Stop & Ceramic Cartridge, 0.5 GPM Vandal Resistant Non-Aerated Spray Device

Drawn DMH	Checked KJG	Approved JHB
Scale: 1:4		Date: 07/09/10



T&S BRASS AND BRONZE WORKS, INC.

2 Saddleback Cove / P.O. Box 1088
Travelers Rest, SC 29690



REG. #A2601
ISO #9001

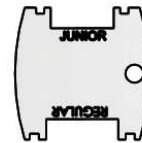
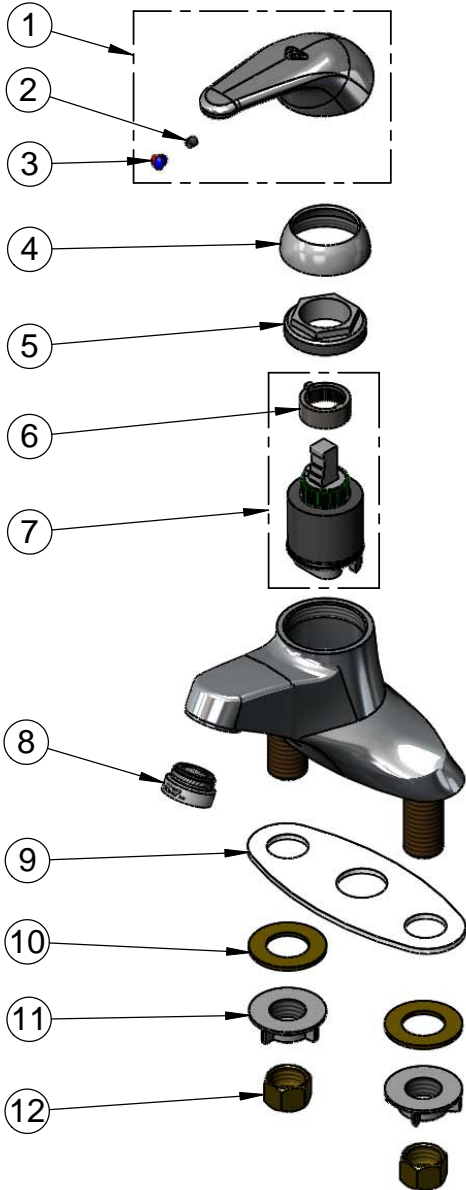
Model No.

B-2711-VF05

Item No.

Travelers Rest, SC: 800-476-4103 Simi Valley, CA: 800-423-0150 Fax: 864-834-3518 www.tsbrass.com

ITEM NO.	SALES NO.	DESCRIPTION
1	013113-45	B-2710 Handle, Single Lever
2	016675-45	Set Screw
3	014173-45	Index, Temperature
4	016661-45	Trim Ring
5	016663-45	Locking Nut
6	015400-45	Temperature Limit Stop
7	013111-45	B-2710 Cartridge Assembly
8	B-0199-09-N05	0.5 GPM VR Spray Device, 15/16-27 Male
9	014167-45	Deck Gasket
10	000999-45	Brass Lock Washer
11	016673-45	Shank Nut
12	000958-20	Coupling Nut



015425-45
Vandal Resistant Key
(Included with Spray Device)

Product Specifications:

4" Centerset Single Lever Faucet, 1/2" NPSM Male Inlet Shanks, Temperature Limit Stop & Ceramic Cartridge, 0.5 GPM Vandal Resistant Non-Aerated Spray Device

Drawn DMH	Checked KJG	Approved JHB
Scale: 1:4		Date: 07/09/10



T&S BRASS AND BRONZE WORKS, INC.

2 Saddleback Cove / P.O. Box 1088
Travelers Rest, SC 29690

Model No.

B-2711-VF22

Item No.

Travelers Rest, SC: 800-476-4103 • Simi Valley, CA: 800-423-0150 • Fax: 864-834-3518 • www.tsbrass.com



ADA Compliant

This Space for Architect/Engineer Approval

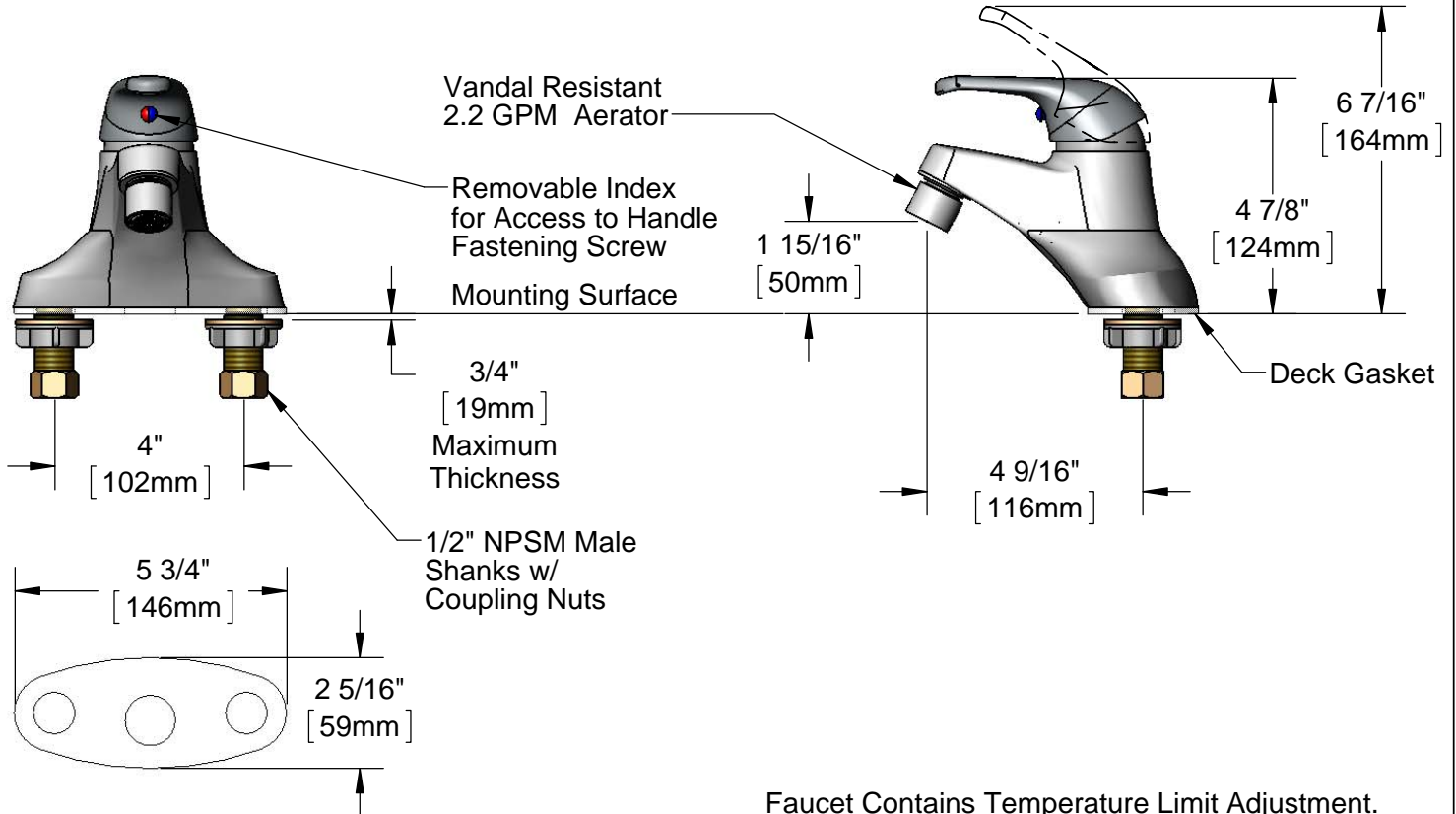
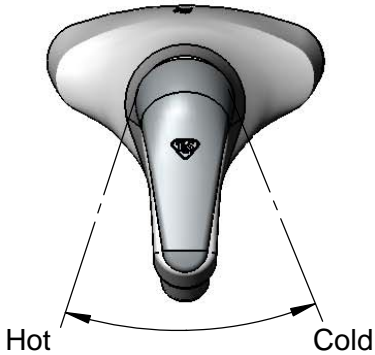
Job Name _____ Date _____

Model Specified _____ Quantity _____

Customer/Wholesaler _____

Contractor _____

Architect/Engineer _____



Rough-In Requirement:
(2) ϕ 1" [25mm] Mounting Holes

Faucet Contains Temperature Limit Adjustment.
Remove Handle with Hex Key to Access and
Reposition Stop, to the left or Right of Original
Position for Lower or Higher Maximum Temperature

Product Specifications:

4" Centerset Single Lever Faucet, 1/2" NPSM Male Inlet Shanks
Temperature Limit Stop, Ceramic Cartridge, Vandal Resistant
2.2 GPM Aerator

Drawn

KJG

Checked

DMH

Approved

JHB

Scale:

1:4

Date:

10/04/12

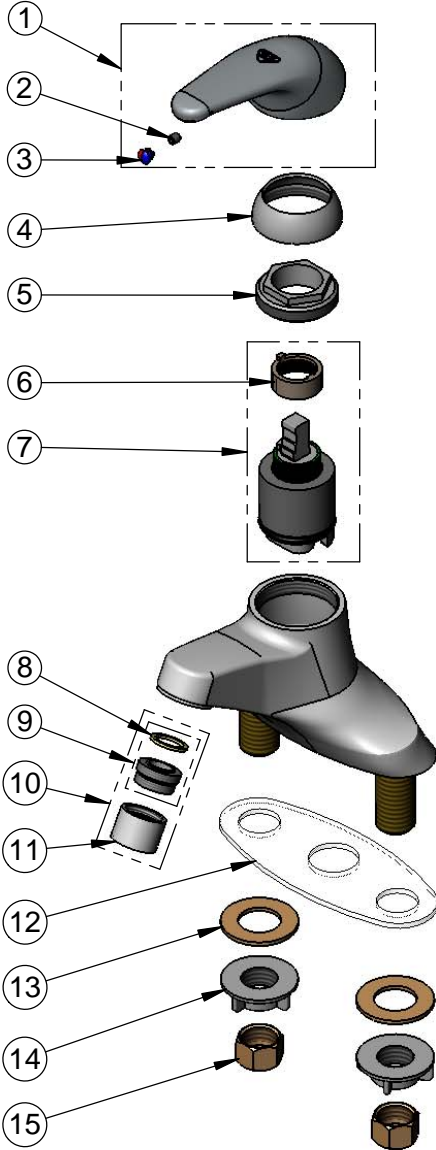


T&S BRASS AND BRONZE WORKS, INC.
 2 Saddleback Cove / P.O. Box 1088
 Travelers Rest, SC 29690

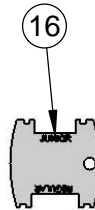
Model No.
B-2711-VF22

Item No.

Travelers Rest, SC: 800-476-4103 • Simi Valley, CA: 800-423-0150 • Fax: 864-834-3518 • www.tsbrass.com



ITEM NO.	SALES NO.	DESCRIPTION
1	013113-45	B-2710 Handle, Single Lever
2	016675-45	Set Screw
3	014173-45	Index, Temperature
4	016661-45	Trim Ring
5	016663-45	Locking Nut
6	015400-45	Limit Switch
7	013111-45	Ceramic Cartridge
8	001048-45	Nozzle Tip Washer
9	001650-25	Aerator Adapter
10	B-0199-09	VR 2.2 GPM Aerator, 15/16"-27UN Male
11	B-0199-06	VR 2.2 GPM Aerator, 55/64"-27UN Female
12	014167-45	Deck Gasket
13	000999-45	Brass Lock Washer
14	016673-45	Shank Nut
15	000958-20	Coupling Nut
16	015425-45	Vandal Resistant Key



Product Specifications:
 4" Centerset Single Lever Faucet, 1/2" NPSM Male Inlet Shanks
 Temperature Limit Stop, Ceramic Cartridge, Vandal Resistant
 2.2 GPM Aerator

Drawn KJG	Checked DMH	Approved JHB
Scale: NTS		Date: 10/04/12



T&S BRASS AND BRONZE WORKS, INC.

2 Saddleback Cove / P.O. Box 1088
Travelers Rest, SC 29690



REG. #A2601
ISO #9001

Model No.

B-2711-WS

Item No.

Travelers Rest, SC: 800-476-4103 Simi Valley, CA: 800-423-0150 Fax: 864-834-3518 www.tsbrass.com

This Space for Architect/Engineer Approval

Job Name _____ Date _____

Model Specified _____ Quantity _____

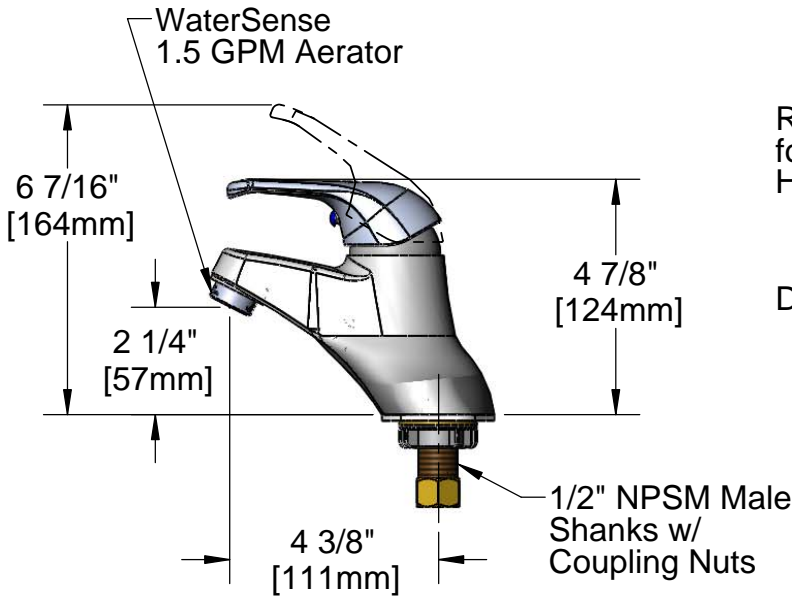
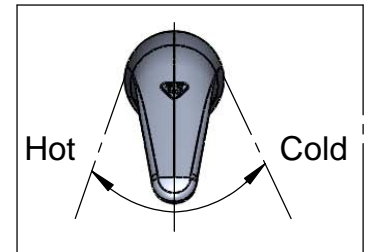
Customer/Wholesaler _____

Contractor _____

Architect/Engineer _____



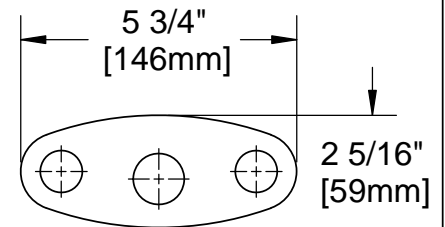
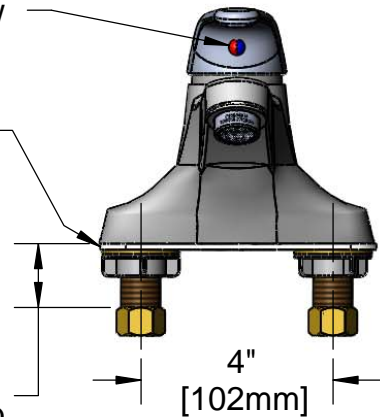
ADA Compliant



Removable Index for Access to Handle Screw

Deck Gasket

1" [25mm] Max. C'Top Thickness



Note: Faucet Contains Temperature Limit Adjustment. Remove Handle with Hex Key to Access and Reposition Stop, to the Left or Right of Original Position for Lower or Higher Maximum Temperature

Rough-in Requirement: ϕ 1" [25mm] Holes

Product Specifications:

4" Centerset Single Lever Faucet, 1/2" NPSM Male Inlet Shanks, Temperature Limit Stop & Ceramic Cartridge, 1.5 GPM Aerator

Drawn KJG	Checked GEF	Approved JHB
Scale: 1:4		Date: 06/1611



T&S BRASS AND BRONZE WORKS, INC.

2 Saddleback Cove / P.O. Box 1088
Travelers Rest, SC 29690



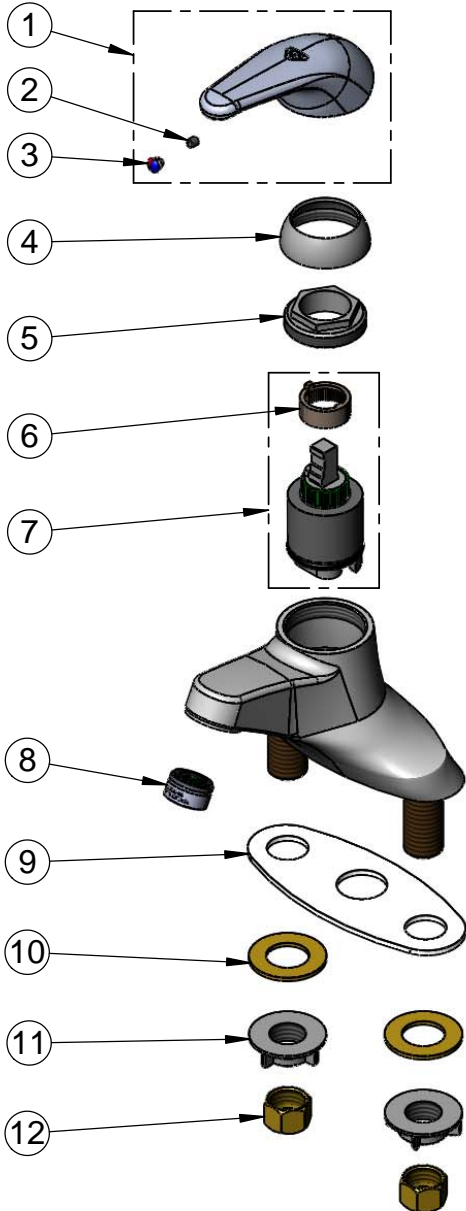
REG. #A2601
ISO #9001

Model No.

B-2711-WS

Item No.

Travelers Rest, SC: 800-476-4103 Simi Valley, CA: 800-423-0150 Fax: 864-834-3518 www.tsbrass.com



ITEM NO.	SALES NO.	DESCRIPTION
1	013113-45	B-2710 Handle, Single Lever
2	016675-45	Set Screw
3	014173-45	Index, Temperature
4	016661-45	Trim Ring
5	016663-45	Locking Nut
6	015400-45	Temperature Limit Stop
7	013111-45	B-2710 Cartridge Assembly
8	B-0199-04-WS	1.5 GPM Aerator, 15/16-27 Male
9	014167-45	Deck Gasket
10	000999-45	Brass Lock Washer
11	016673-45	Shank Nut
12	000958-20	Coupling Nut

Product Specifications:

4" Centerset Single Lever Faucet, 1/2" NPSM Male Inlet Shanks, Temperature Limit Stop & Ceramic Cartridge, 1.5 GPM Aerator

Drawn KJG	Checked GEF	Approved JHB
Scale: 1:4		Date: 06/1611



T&S BRASS AND BRONZE WORKS, INC.

2 Saddleback Cove / P.O. Box 1088
Travelers Rest, SC 29690

Model No.

B-2711-WS-VR

Item No.

Travelers Rest, SC: 800-476-4103 • Simi Valley, CA: 800-423-0150 • Fax: 864-834-3518 • www.tsbrass.com



ADA Compliant

This Space for Architect/Engineer Approval

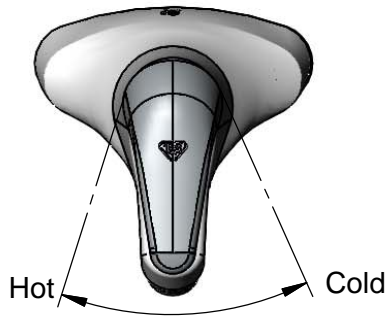
Job Name _____ Date _____

Model Specified _____ Quantity _____

Customer/Wholesaler _____

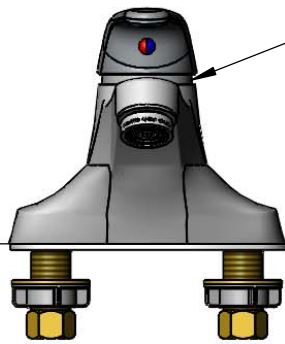
Contractor _____

Architect/Engineer _____



B-0199-09-WS
1.5 GPM Vandal
Resistant Aerator

Ceramic Cartridge
w/ Temperature
Limit Stop



Mounting Surface

3/4"
[19mm]
Maximum
Thickness

4"
[102mm]

2 1/4"
[57mm]

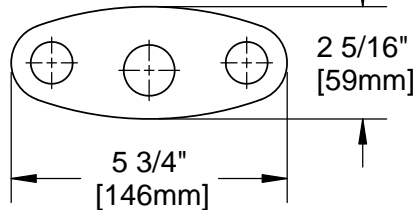
6 3/16"
[157mm]
Full
"ON"

4 7/8"
[124mm]
"OFF"

Deck Gasket

1/2" NPSM
Male Inlets w/
Coupling Nuts

4 3/8"
[111mm]



2 5/16"
[59mm]

5 3/4"
[146mm]

Rough-In Requirement:
(2) \varnothing 1" [25mm] Mounting Holes

Product Specifications:

4" Deck Mount Single Lever Faucet, Ceramic Cartridge w/ Temperature Limit Stop, 1.5 GPM VR Aerator & 1/2" NPSM Male Inlets

Product Compliance:

ASME A112.18.1 / CSA B125.1
NSF 61 - Section 9
NSF 372 (Low Lead Content)
ANSI A117.1 (ADA)



T&S BRASS AND BRONZE WORKS, INC.

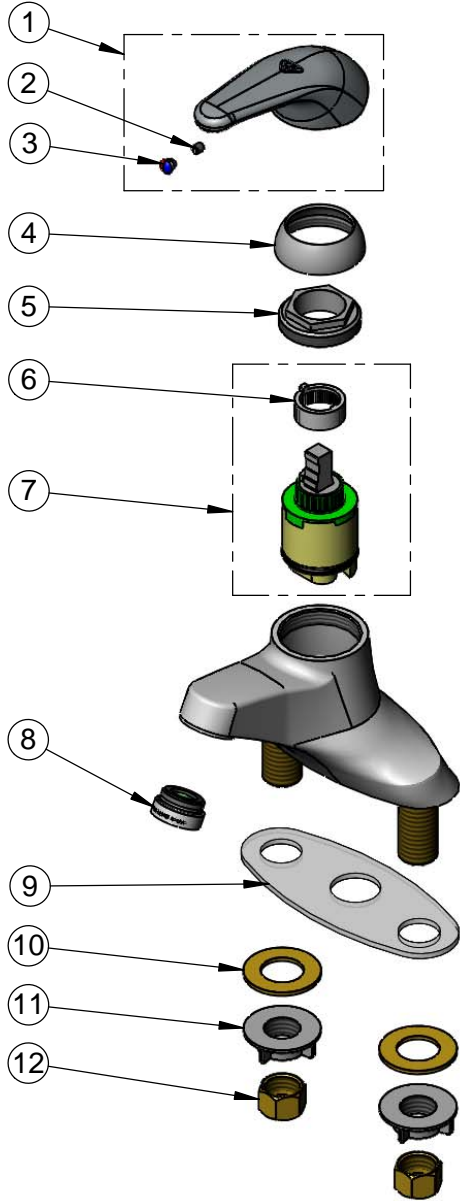
2 Saddleback Cove / P.O. Box 1088
Travelers Rest, SC 29690

Model No.

B-2711-WS-VR

Item No.

Travelers Rest, SC: 800-476-4103 • Simi Valley, CA: 800-423-0150 • Fax: 864-834-3518 • www.tsbrass.com



ITEM NO.	SALES NO.	DESCRIPTION
1	013113-45	Single Lever Short Handle
2	016675-45	Set Screw
3	014173-45	Index, Temperature
4	016661-45	Trim Ring
5	016663-45	Locking Nut
6	015400-45	Temperature Limit Stop
7	013111-45	Ceramic Cartridge w/ Temperature Limit Stop
8	B-0199-09-WS	VR 1.5 GPM Aerator, 15/16-27 UN Male w/ Key
9	014167-45	Deck Gasket
10	000999-45	Brass Lock Washer
11	016673-45	Shank Nut
12	000958-20	Coupling Nut



015425-45
Vandal Resistant Key

Product Specifications:

4" Deck Mount Single Lever Faucet, Ceramic Cartridge w/ Temperature Limit Stop, 1.5 GPM VR Aerator & 1/2" NPSM Male Inlets

Product Compliance:

ASME A112.18.1 / CSA B125.1
NSF 61 - Section 9
NSF 372 (Low Lead Content)
ANSI A117.1 (ADA)