



T&S BRASS AND BRONZE WORKS, INC.

2 Saddleback Cove / P.O. Box 1088
Travelers Rest, SC 29690

Model No.

B-2490-PA

Item No.

Travelers Rest, SC: 800-476-4103 • Simi Valley, CA: 800-423-0150 • Fax: 864-834-3518 • www.tsbrass.com



ADA Compliant

This Space for Architect/Engineer Approval

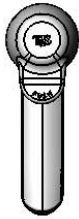
Job Name _____ Date _____

Model Specified _____ Quantity _____

Customer/Wholesaler _____

Contractor _____

Architect/Engineer _____



Pivot Action Metering Cartridge
w/ Blank Pivot Action Handle

Vandal Resistant Screw.
Loosen Screw (Do Not
Remove) and Flip Handle
Up to Access Metering
Adjustment.
(Metering Adjustment
Requires 3/32" Hex Key)



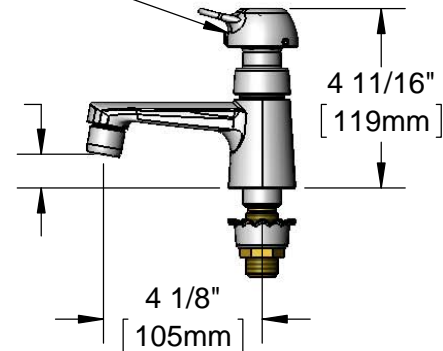
Ø 1 3/4"
[44mm]
Base

B-0199-02
2.2 GPM Aerator

7/8"
[22mm]

Mounting Surface

13/16"
[21mm]
Maximum
Thickness



4 11/16"
[119mm]

4 1/8"
[105mm]

Temperature Mixing Valve
w/ Integral Check Valves

18" Flexible Stainless Steel
Supply Hoses

Compression Fittings
for 5/8" O.D. Copper Tubing
(Remove Compression Nut
for 1/2" NPSM Male)

Spanner Bit for
Access to Metering
Adjustment Included.
(Metering Adjustment
Requires 3/32" Hex Key)



Rough-In Requirement:
Ø 1 1/8" [29mm] Mounting Hole

Product Specifications:

Single Hole Single Temperature Deck Mount Basin Faucet, Pivot Action Metering Cartridge, Blank Pivot Action Handle w/ VR Screw, 2.2 GPM Aerator, Temperature Control Mixing Valve w/ Integral Check Valves & 18" Flexible Stainless Steel Supply Hoses w/ 1/2" NPSM Male Inlets

Product Compliance:

ASME A112.18.1 / CSA B125.1
NSF 61 - Section 9
NSF 372 (Low Lead Content)
ANSI A117.1 (ADA)



T&S BRASS AND BRONZE WORKS, INC.

2 Saddleback Cove / P.O. Box 1088
Travelers Rest, SC 29690

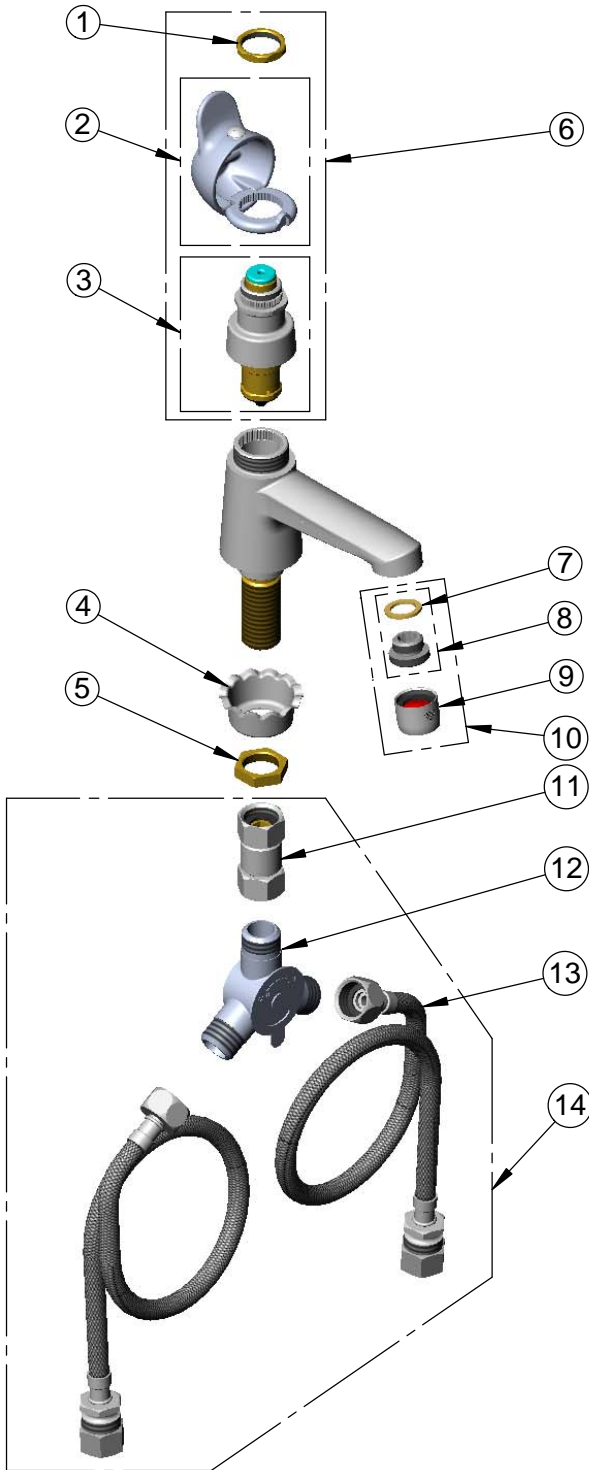
Model No.

B-2490-PA

Item No.

Travelers Rest, SC: 800-476-4103 • Simi Valley, CA: 800-423-0150 • Fax: 864-834-3518 • www.tsbrass.com

ITEM NO.	SALES NO.	DESCRIPTION
1	PA-N	Retaining Nut
2	PA-B	Blank Pivot Action Handle w/ Retaining Nut and Spanner Bit
3	238A-PA	Pivot Action Metering Cartridge w/ Retaining Nut
4	001000-45	Rosette Washer
5	002954-45	Shank Lock Nut
6	238AB-PA	Pivot Action Metering Cartridge w/ Blank PA Handle & Spanner Bit
7	001043-45	Washer
8	044A	3/8" to Aerator Adapter w/ Washer
9	B-0199-01	2.2 GPM Aerator, 55/64"-27 UN Female
10	B-0199-02	2.2 GPM Aerator, 3/8" NPSM Male
11	017506-45	1/2" NPSM Swivel Coupling
12	5EF-0006	Mechanical Mixing Valve
13	019192-45	Flexible Connector Hose (2)
14	019321-40	Temperature Control Mixing Valve w/ Flexible 1/2" NPSM Male Inlets



014734-45
#8 Spanner Bit



016654-45
Pivot Action Handle
VR Screw

Product Specifications:

Single Hole Single Temperature Deck Mount Basin Faucet, Pivot Action Metering Cartridge, Blank Pivot Action Handle w/ VR Screw, 2.2 GPM Aerator, Temperature Control Mixing Valve w/ Integral Check Valves & 18" Flexible Stainless Steel Supply Hoses w/ 1/2" NPSM Male Inlets

Product Compliance:

ASME A112.18.1 / CSA B125.1
NSF 61 - Section 9
NSF 372 (Low Lead Content)
ANSI A117.1 (ADA)