



T&S BRASS AND BRONZE WORKS, INC.

2 Saddleback Cove / P.O. Box 1088
Travelers Rest, SC 29690

Model No.

B-2480

Item No.

Travelers Rest, SC: 800-476-4103 • Simi Valley, CA: 800-423-0150 • Fax: 864-834-3518 • www.tsbrass.com



ADA Compliant

This Space for Architect/Engineer Approval

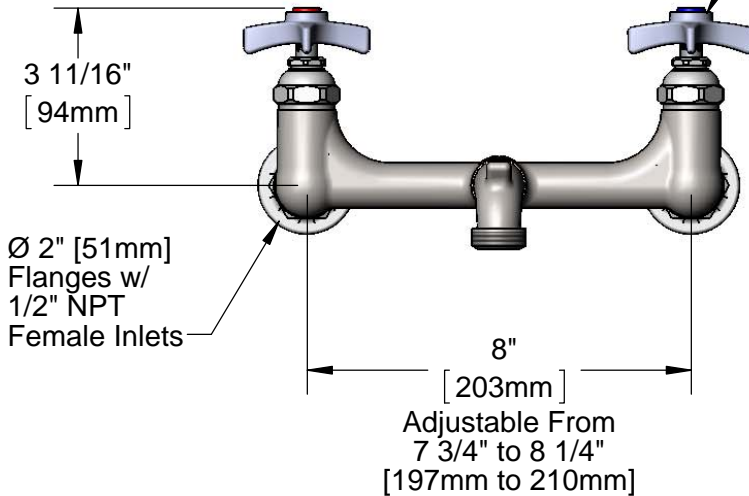
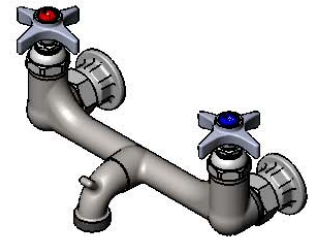
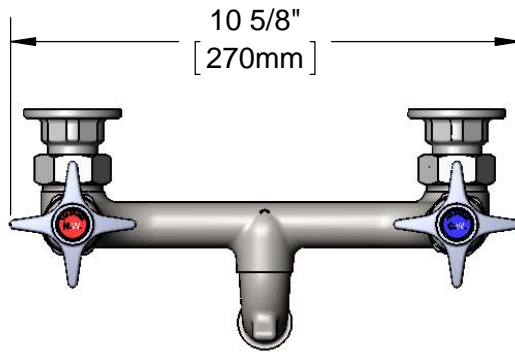
Job Name _____ Date _____

Model Specified _____ Quantity _____

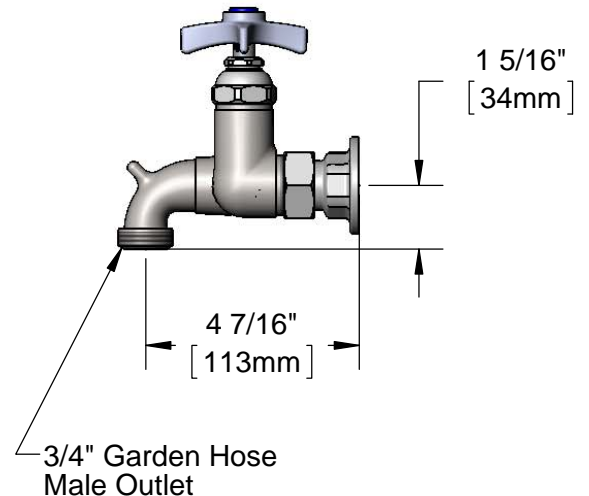
Customer/Wholesaler _____

Contractor _____

Architect/Engineer _____



Eterna Cartridges w/
Spring Checks &
4-Arm Handles w/
Color Coded Indexes



Product Specifications:

8" Wall Mount Rough Chrome Service Sink Mixing Faucet, Eterna Cartridges w/ Spring Checks, 4-Arm Handles, 3/4" Garden Hose Male Outlet & 1/2" NPT Female Inlets

Product Compliance:

ASME A112.18.1 / CSA B125.1
NSF 61 Exempt (Non-Potable)
ANSI A117.1 (ADA)



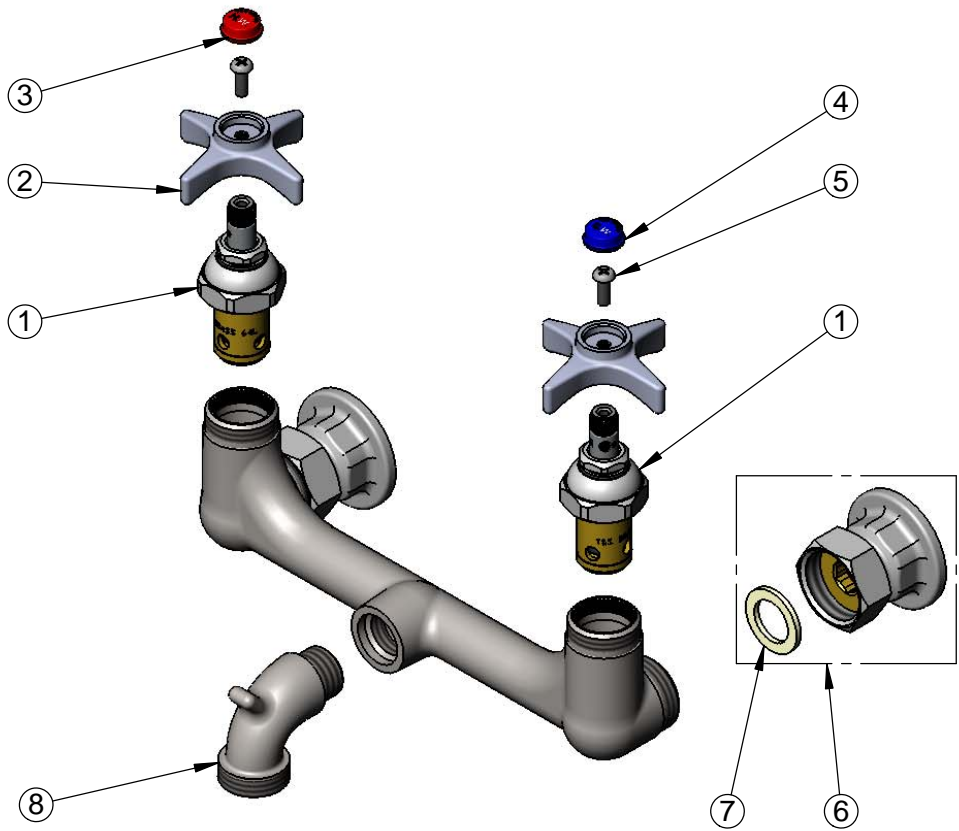
T&S BRASS AND BRONZE WORKS, INC.
 2 Saddleback Cove / P.O. Box 1088
 Travelers Rest, SC 29690

Model No.
B-2480

Item No.

Travelers Rest, SC: 800-476-4103 • Simi Valley, CA: 800-423-0150 • Fax: 864-834-3518 • www.tsbrass.com

ITEM NO.	SALES NO.	DESCRIPTION
1	012443-40	Eterna Cartridge, RTC
2	000059-40	4-Arm Lab Handle
3	001194-45	Red Index - HW
4	001686-45	Blue Index - CW
5	000925-45	Lab Handle Screw
6	00AA	1/2" NPT Female Eccentric Flange
7	001019-45	Coupling Nut Washer
8	000270-25	Short Spout w/ Garden Hose Outlet & Pail Hook



Product Specifications:

8" Wall Mount Rough Chrome Service Sink Mixing Faucet, Eterna Cartridges w/ Spring Checks, 4-Arm Handles, 3/4" Garden Hose Male Outlet & 1/2" NPT Female Inlets

Product Compliance:

ASME A112.18.1 / CSA B125.1
 NSF 61 Exempt (Non-Potable)
 ANSI A117.1 (ADA)