



# T&S BRASS AND BRONZE WORKS, INC.

2 Saddleback Cove / P.O. Box 1088  
Travelers Rest, SC 29690



REG. #A2601  
ISO #9001

Model No.

**B-2320**

Item No.

Travelers Rest, SC: 800-476-4103 • Simi Valley, CA: 800-423-0150 • Fax: 864-834-3518 • www.tsbrass.com

This Space for Architect/Engineer Approval

Job Name \_\_\_\_\_ Date \_\_\_\_\_

Model Specified \_\_\_\_\_ Quantity \_\_\_\_\_

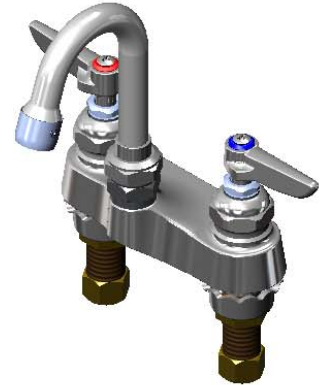
Customer/Wholesaler \_\_\_\_\_

Contractor \_\_\_\_\_

Architect/Engineer \_\_\_\_\_

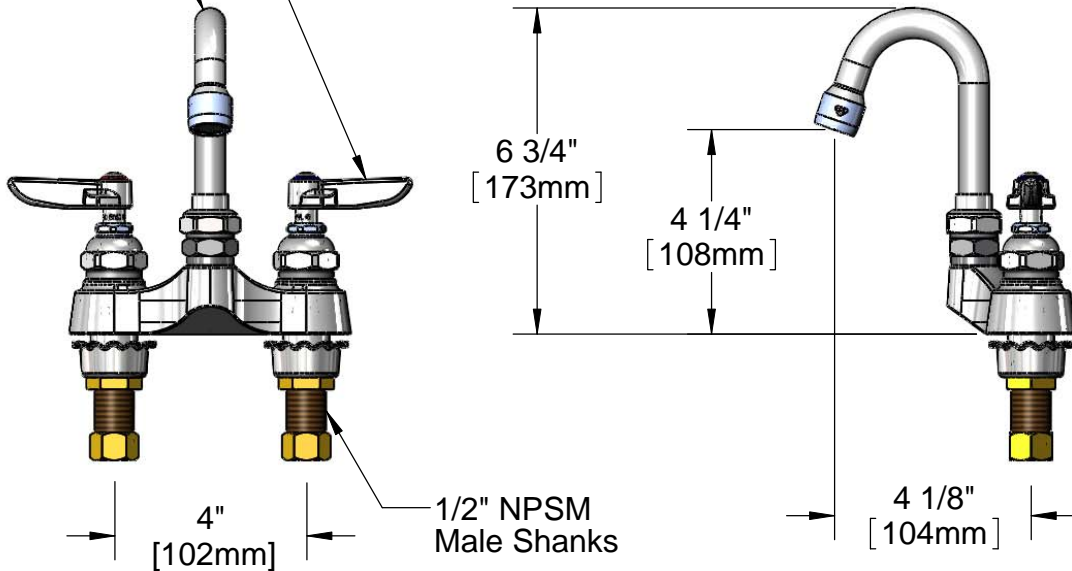


**ADA Compliant**



Swivel Gooseneck  
w/ 2.2 GPM Aerator

Eterna Cartridges &  
Lever Handles w/  
Color Coded Indexes



Note: Rough-In Requirement  
(2) Ø 1 1/8" [29mm] Mounting Holes

Product Specifications:  
4" Centerset Mixing Faucet w/ 1/2" NPSM Male Shanks,  
Eterna Cartridges, Lever Handles, Rigid to Swivel Adapter,  
Swivel Gooseneck, 2.2 GPM Aerator

Drawn  
**JRM**

Checked  
**KJG**

Approved  
**JHB**

Scale:  
**1:4**

Date:  
**05/05/11**



**T&S BRASS AND BRONZE WORKS, INC.**

2 Saddleback Cove / P.O. Box 1088  
Travelers Rest, SC 29690



REG. #A2601  
ISO #9001

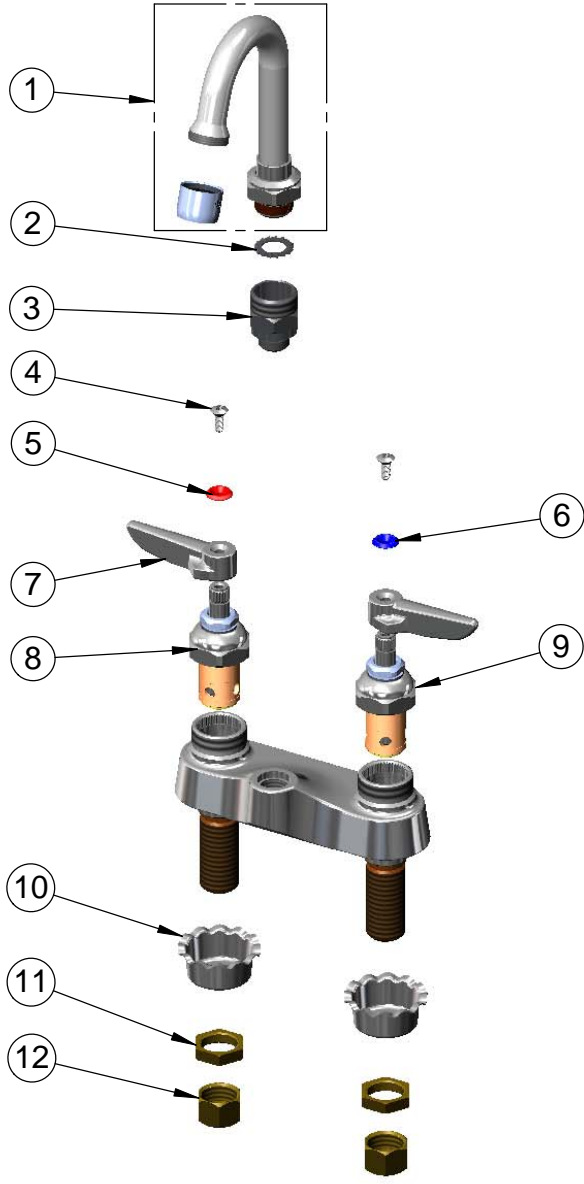
Model No.

**B-2320**

Item No.

Travelers Rest, SC: 800-476-4103 • Simi Valley, CA: 800-423-0150 • Fax: 864-834-3518 • www.tsbrass.com

ITEM NO.	SALES NO.	DESCRIPTION
1	008978-40	Swivel GN Asm.
2	014200-45	Star Washer, Anti-Rotation
3	B-0412	Rigid to Swivel Adapter
4	000922-45	Lever Handle Screw
5	001661-45	Red Index-HW
6	001660-45	Blue Index-CW
7	001638-45	Lever Handle
8	005960-40	Hot Eterna Cartridge (RTC)
9	005959-40	Cold Eterna Cartridge (LTC)
10	001000-45	Rosette Washer
11	002954-45	Shank Lock Nut
12	000958-20	Coupling Nut



Product Specifications:  
4" Centerset Mixing Faucet w/ 1/2" NPSM Male Shanks,  
Eterna Cartridges, Lever Handles, Rigid to Swivel Adapter,  
Swivel Gooseneck, 2.2 GPM Aerator

Drawn	Checked	Approved
JRM	KJG	JHB
Scale:		Date:
NTS		05/05/11