

T&S BRASS AND BRONZE WORKS, INC.

2 SADDLEBACK COVE / P.O. BOX 1088 / TRAVELERS REST, SC 29690

PHONE 800-476-4103

FAX 864-834-3518



REG.#A2601
ISO #9002

Model No.

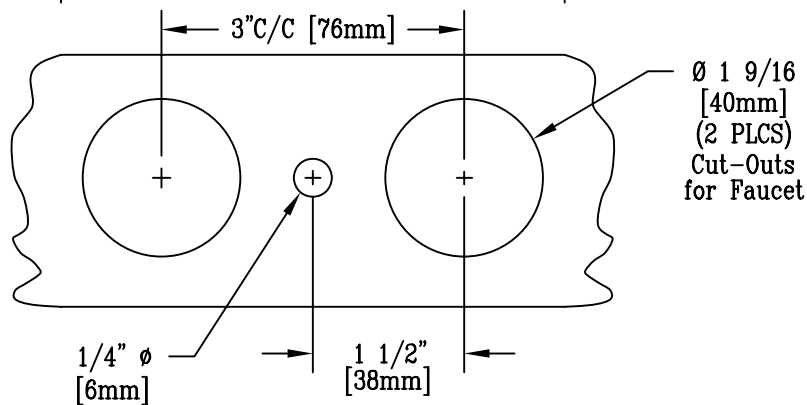
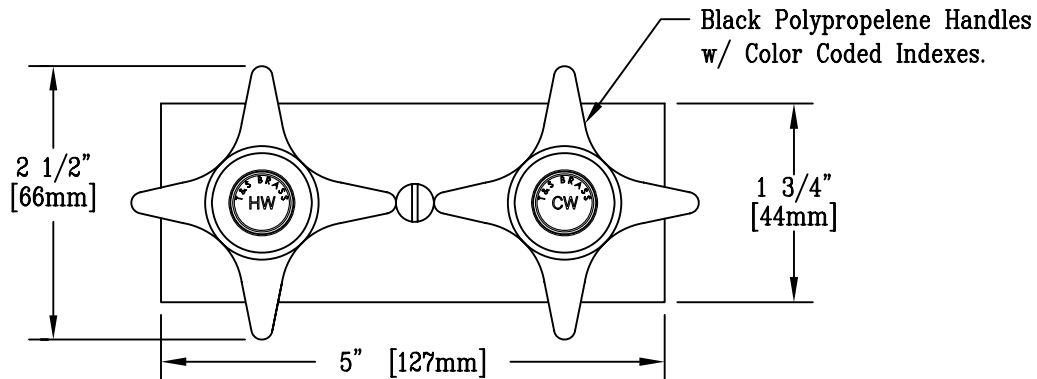
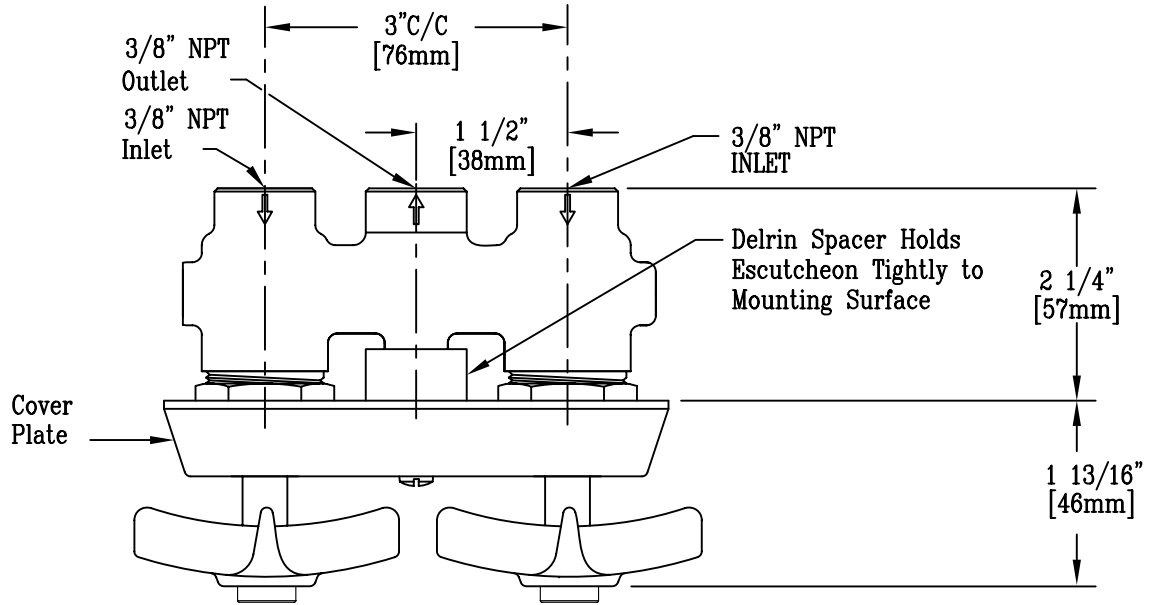
B-2265

Item No.:

Job Name:

Architect/Engineer Approval:

Notes:



Mounting Holes Location

Product Description:

Concealed Mixing Faucet
w/ Black Polypropelene 4-Arm Handles

Drawn:

DHL

Approved

JHB

Checked

MAV

Scale:

1:2

Date:

5/24/07