



**T&S BRASS AND BRONZE WORKS, INC.**  
 2 Saddleback Cove / P.O. Box 1088  
 Travelers Rest, SC 29690

Model No.  
**B-1480**

Item No.

Travelers Rest, SC: 800-476-4103 • Simi Valley, CA: 800-423-0150 • Fax: 864-834-3518 • www.tsbrass.com

This Space for Architect/Engineer Approval

Job Name \_\_\_\_\_ Date \_\_\_\_\_  
 Model Specified \_\_\_\_\_ Quantity \_\_\_\_\_  
 Customer/Wholesaler \_\_\_\_\_  
 Contractor \_\_\_\_\_  
 Architect/Engineer \_\_\_\_\_

B-0963  
 Continuous Pressure  
 Vacuum Breaker  
 w/ Integral  
 Check Valve

1/2" NPT x 36"  
 Flexible Water  
 Connector to  
 Hose Reel

1/2" NPT x 32" Riser

Stainless Steel  
 Quick Disconnect

Control Valve

1/2" NPT x 18" Riser

(2) B-0110  
 Wall Brackets

12 7/16"  
 [315mm]

Ø 2" [51mm]  
 Flanges w/  
 1/2" NPT  
 Female Inlets

Open Stainless Steel Hose Reel  
 w/ 50' of 1/2" Hose

Front Trigger  
 Water Gun

Quarter-Turn  
 Eterna Cartridges  
 w/ Spring Checks  
 & Lever Handles  
 w/ Color Coded  
 Indexes

Ø 1/2"  
 [13mm]  
 Typ

6"  
 [152mm]

3 5/8"  
 [93mm]

8"  
 [203mm]

Adjustable From  
 7 3/4" to 8 1/4"  
 [197mm to 210mm]

6 3/16"  
 [158mm]

3 1/8"  
 [79mm]

7 9/16"  
 [193mm]

13/16"  
 [21mm]

56 1/4"  
 [1429mm]

19 7/16"  
 [494mm]

2 3/8"  
 [61mm]

Product Specifications:

Open Stainless Steel Hose Reel w/ 50' of 1/2" Hose, Front Trigger Water Gun, 1/2" NPT Vacuum Breaker, 1/2" NPT Flexible Water Connector, 8" Wall Mount Mixing Faucet & Control Valve

Product Compliance:

NSF 61 Exempt (Non-Potable)  
 EPA Act 2005 Non-Compliant (PRSV)  
 ASSE 1056 (VB)



# T&S BRASS AND BRONZE WORKS, INC.

2 Saddleback Cove / P.O. Box 1088  
Travelers Rest, SC 29690

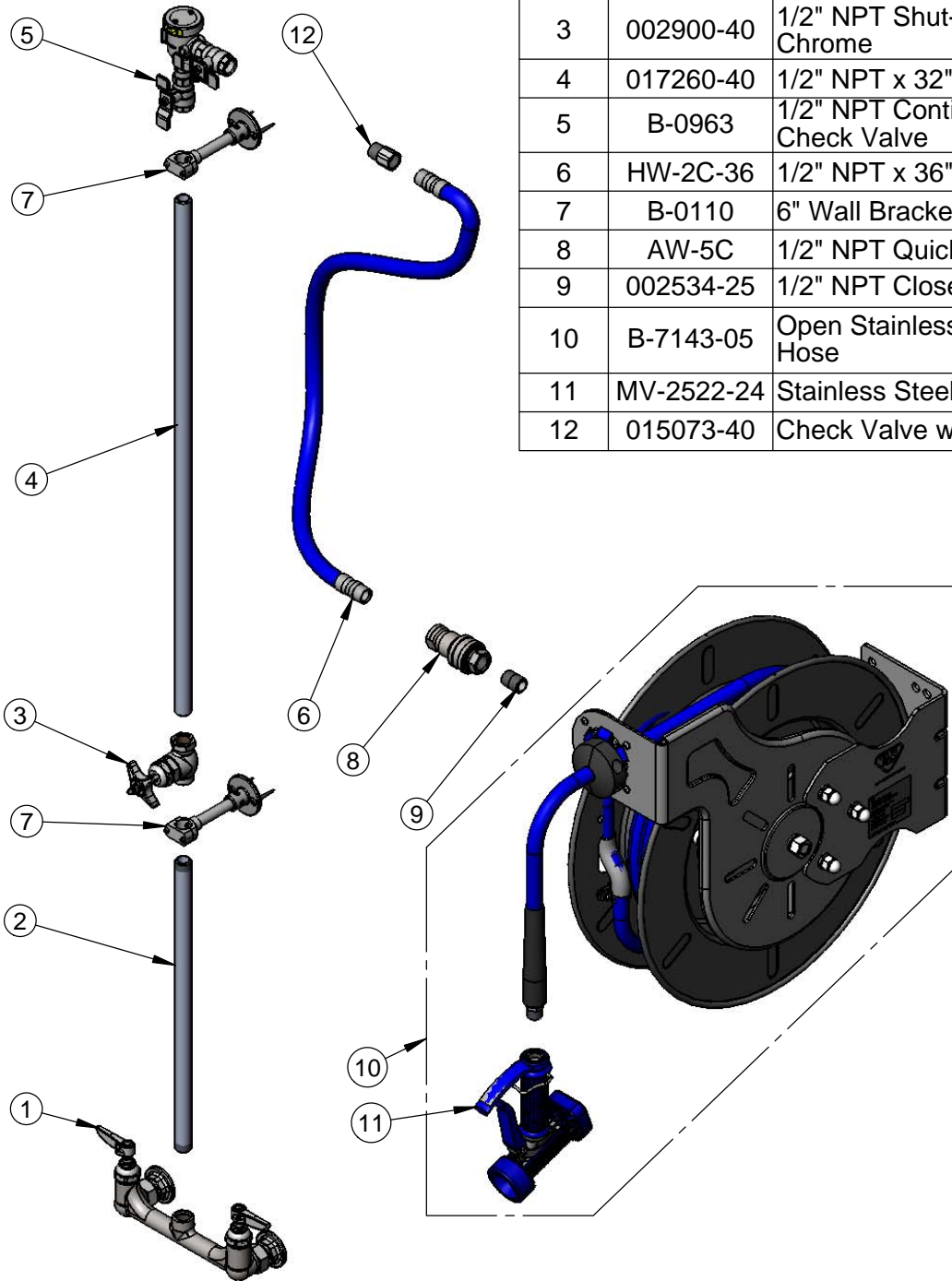
Model No.

**B-1480**

Item No.

Travelers Rest, SC: 800-476-4103 • Simi Valley, CA: 800-423-0150 • Fax: 864-834-3518 • www.tsbrass.com

ITEM NO.	SALES NO.	DESCRIPTION
1	013988-40	8" Wall Mount Mixing Faucet
2	013963-40	1/2" NPT x 18" Riser
3	002900-40	1/2" NPT Shut-Off Control Valve, Polished Chrome
4	017260-40	1/2" NPT x 32" Riser
5	B-0963	1/2" NPT Continuous Pressure VB w/ Integral Check Valve
6	HW-2C-36	1/2" NPT x 36" Flexible Water Hose
7	B-0110	6" Wall Bracket
8	AW-5C	1/2" NPT Quick Disconnect
9	002534-25	1/2" NPT Close Nipple
10	B-7143-05	Open Stainless Steel Hose Reel w/ 50' of 1/2" Hose
11	MV-2522-24	Stainless Steel Water Gun, Front Trigger
12	015073-40	Check Valve w/ 1/2" NPT Adapter



**Product Specifications:**

Open Stainless Steel Hose Reel w/ 50' of 1/2" Hose, Front Trigger Water Gun, 1/2" NPT Vacuum Breaker, 1/2" NPT Flexible Water Connector, 8" Wall Mount Mixing Faucet & Control Valve

**Product Compliance:**

NSF 61 Exempt (Non-Potable)  
EPA Act 2005 Non-Compliant (PRSV)  
ASSE 1056 (VB)