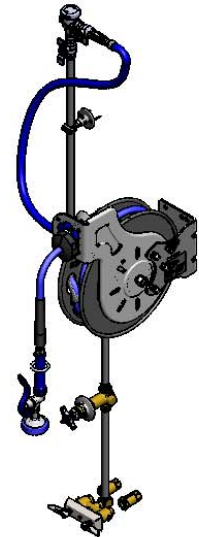
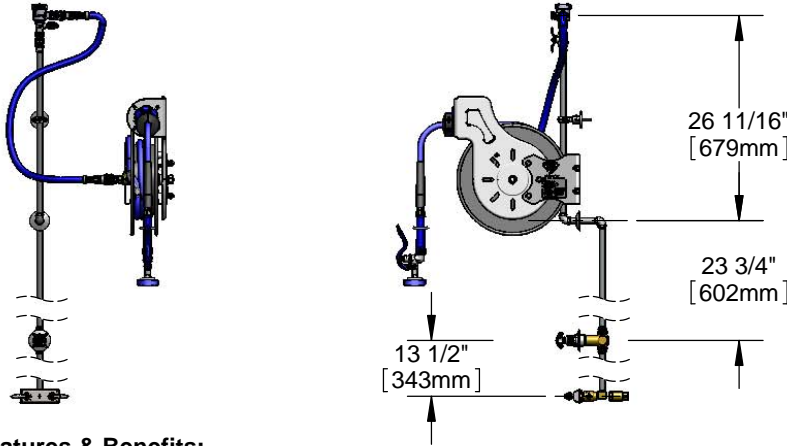




#### Architect/Engineering Specifications:

3" concealed wall mount mixing faucet with brass body, chrome plated brass escutcheon, compression cartridges, lever handles, 3/8" NPT female inlets, 1/2" NPT in-line check valves with 1/2" NPT female inlets, 12" riser, concealed control valve, (2) 22" risers, wall bracket, angled slip flange, continuous pressure vacuum breaker, 36" flexible water hose connector with stainless steel quick disconnect, open coated hose reel with 3/8" x 35' heavy-duty non-marking hose, ratcheting system, high flow spray valve, multi-fit bracket and adjustable hose bumper. Certified to ASSE 1056.

Job Name \_\_\_\_\_  
 Model Specified \_\_\_\_\_ Quantity \_\_\_\_\_  
 Variations Specified \_\_\_\_\_  
 Date \_\_\_\_\_



#### Features & Benefits:

- All-in-one system with exposed piping and accessories
- 3" concealed wall mount mixing faucet w/ brass body
- Eterna compression cartridges
- Lever handles w/ color coded indexes
- Mixing faucet, 3/8" NPT female inlets
- (2) 1/2" NPT in-line check valves w/ 1/2" NPT female inlets
- 12" and (2) 22" risers w/ concealed control valve between risers
- 2 3/8" wall bracket
- Continuous pressure vacuum breaker
- 36" flexible water hose connector with stainless steel quick disconnect
- Open coated hose reel with adjustable hose bumper
- High flow spray valve w/ heat resistant blue handle and hold down ring
- 3/8" x 35' heavy-duty non-marking hose rated to 300 PSI
- Ratcheting system holds the length of hose until a slight tug to retract automatically
- Multi-fit bracket for wall, ceiling or under counter mounting
- Material: brass body faucet, chrome plated brass spray valve & riser, chrome plated metal escutcheon & handles, control valve and vacuum breaker and metal open reel.

#### Product Compliance:

- NSF 61 Exempt (Non-Potable)
- EPA 2005 Non-Compliant (PRSV)
- ASSE 1056 (VB)



#### Warranty: One Year (Limited)

- Hose Reel: Two Year (Limited)
- Hose: 90 Day (Limited)

#### Performance Data:

- Pressure: 20 - 125 psi
- Temperature: 40 °F - 140 °F
- Flow Rate: 2.79 GPM @ 60 psi

#### Optional Hose Reel Spray Valves

- B-0107 Spray Valve
- B-0108 Ergonomic Medium Flow Spray Valve
- B-0108-H Ergonomic High Flow Spray Valve
- EB-0107 High Flow Spray Valve (Standard)
- EB-2322 Extended Spray Wand
- MV-2516-24 Stainless Steel Rear Trigger Water Gun
- MV-2522-24 Stainless Steel Front Trigger Water Gun
- MV-3516-24 Aluminum Rear Trigger Water Gun

