



T&S BRASS AND BRONZE WORKS, INC.
 2 Saddleback Cove / P.O. Box 1088
 Travelers Rest, SC 29690

Model No.
B-1142

Item No.

Travelers Rest, SC: 800-476-4103 • Simi Valley, CA: 800-423-0150 • Fax: 864-834-3518 • www.tsbrass.com



ADA Compliant

This Space for Architect/Engineer Approval

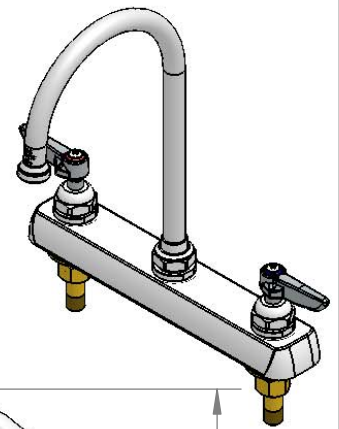
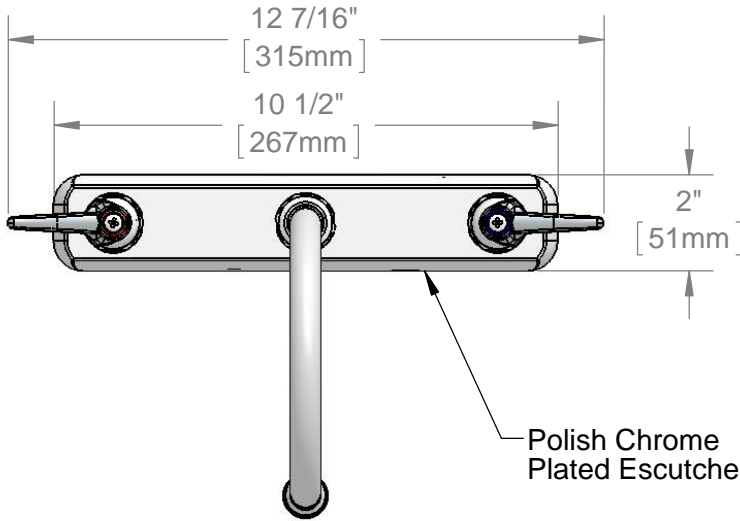
Job Name _____ Date _____

Model Specified _____ Quantity _____

Customer/Wholesaler _____

Contractor _____

Architect/Engineer _____



Polish Chrome Plated Escutcheon

133X
 6" Swivel Gooseneck w/
 Stream Regulator Outlet

Swivel Joint

Lever Handles
 w/ Color Coded
 Indexes

3 1/16"
 [78mm]

7 1/8"
 [180mm]

5 3/4"
 [145mm]

11 1/8"
 [283mm]

Mounting Surface

8"
 [203mm]

1"
 [25mm]

1/4"
 [6mm]
 Maximum
 Thickness

1/2" NPT Male Inlet

(2) 150A
 Optional Tailpiece and Nut
 for 1/4" NPT Connection
 (Included)

Rough-In Requirement:
 (2) ϕ 1" [25mm] Mounting Holes

Product Specifications:
 8" Deck Mount Workboard Mixing Faucet, Lever Handles, 6" Swivel
 Gooseneck & 1/2" NPT Male Inlets

Product Compliance:
 ASME A112.18.1 / CSA B125.1
 NSF 61 - Section 9
 NSF 372 (Low Lead Content)
 ANSI A117.1 (ADA)

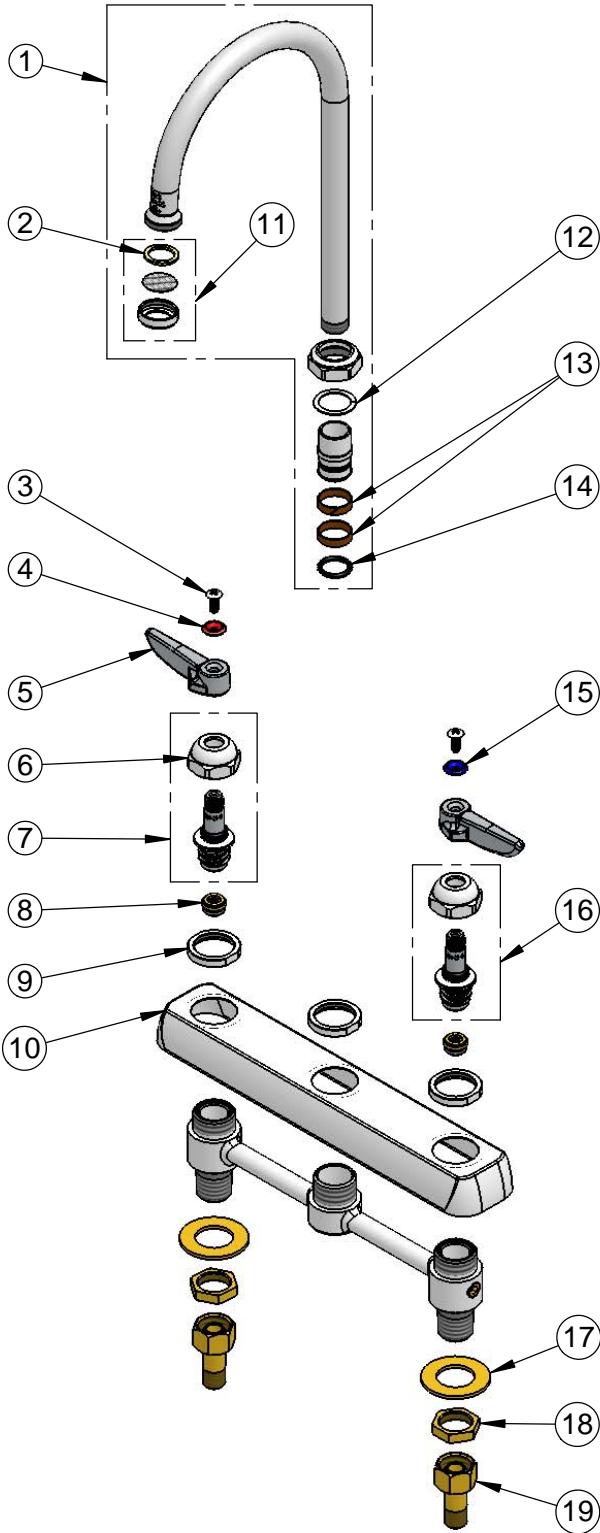


T&S BRASS AND BRONZE WORKS, INC.
 2 Saddleback Cove / P.O. Box 1088
 Travelers Rest, SC 29690

Model No.
B-1142

Item No.

Travelers Rest, SC: 800-476-4103 • Simi Valley, CA: 800-423-0150 • Fax: 864-834-3518 • www.tsbrass.com



ITEM NO.	SALES NO.	DESCRIPTION
1	133X	6" Swivel Gooseneck
2	001048-45	Nozzle Tip Washer
3	000922-45	Lever Handle Screw
4	001661-45	Red Index-HW
5	001638-45	Lever Handle
6	009749-25	Bonnet Nut
7	009753-25	B-1100 Spindle, RTC
8	000763-20	Seat
9	000712-25	Escutcheon Lock Nut
10	001259-40	Escutcheon
11	B-PT	Stream Regulator Outlet
12	009538-45	Swivel Washer
13	011429-45	Swivel Sleeves (2)
14	001074-45	O-Ring
15	001660-45	Blue Index-CW
16	009754-25	B-1100 Spindle, LTC
17	000999-45	Brass Lock Washer
18	002954-45	Shank Lock Nut
19	150A	1/4" NPT Tailpiece & Nut

Product Specifications:
 8" Deck Mount Workboard Mixing Faucet, Lever Handles, 6" Swivel Gooseneck & 1/2" NPT Male Inlets

Product Compliance:
 ASME A112.18.1 / CSA B125.1
 NSF 61 - Section 9
 NSF 372 (Low Lead Content)
 ANSI A117.1 (ADA)