



# T&S BRASS AND BRONZE WORKS, INC.

2 Saddleback Cove / P.O. Box 1088  
Travelers Rest, SC 29690

Model No.

**B-1120-LN**

Item No.

Travelers Rest, SC: 800-476-4103 • Simi Valley, CA: 800-423-0150 • Fax: 864-834-3518 • www.tsbrass.com



**ADA Compliant**

This Space for Architect/Engineer Approval

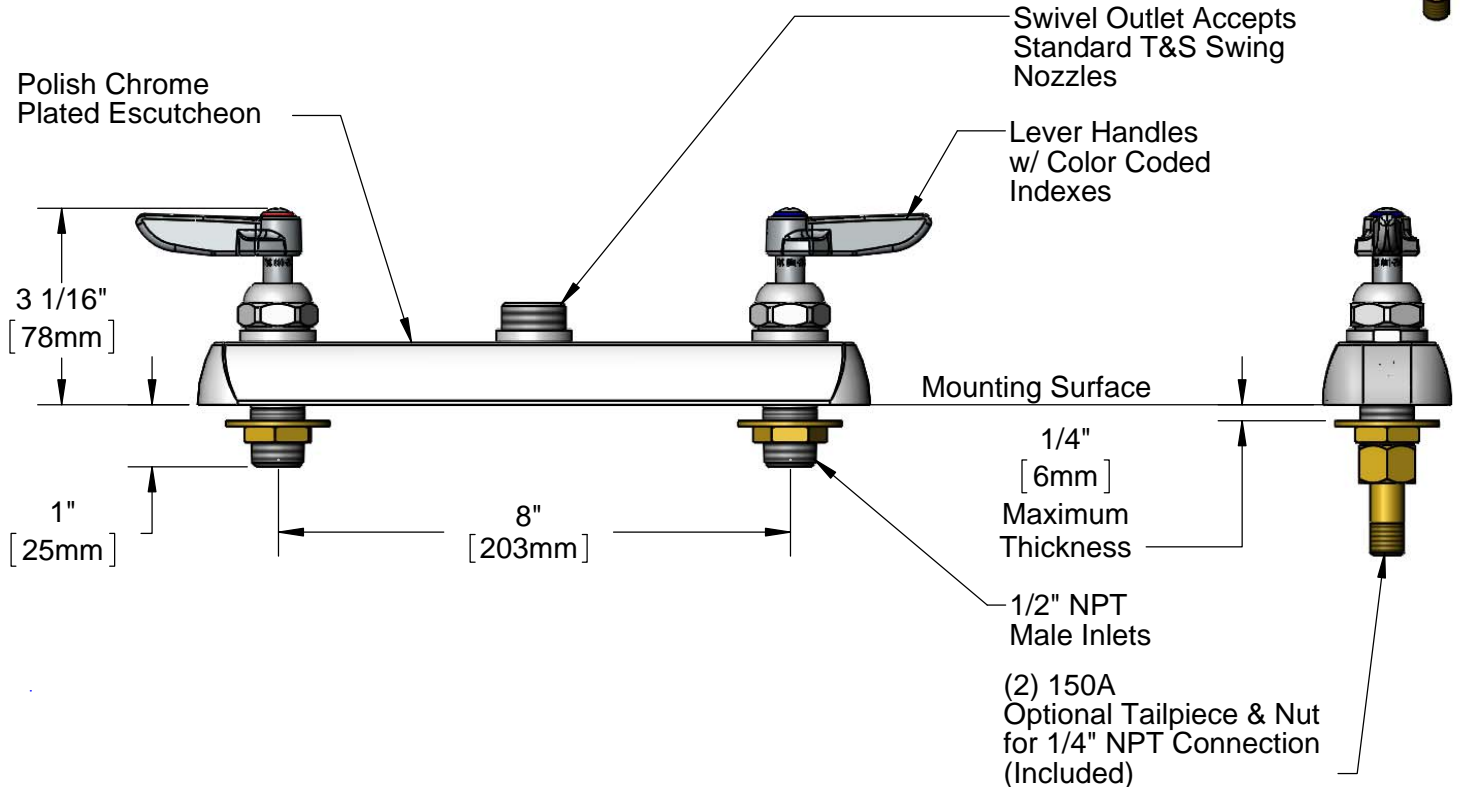
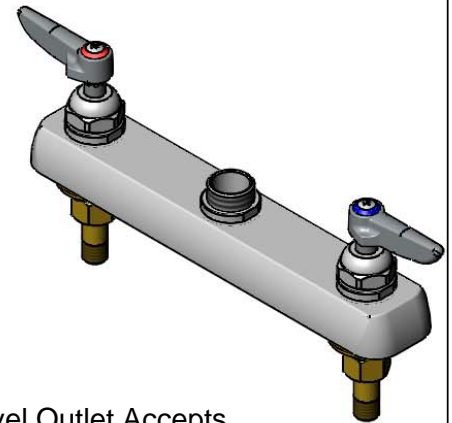
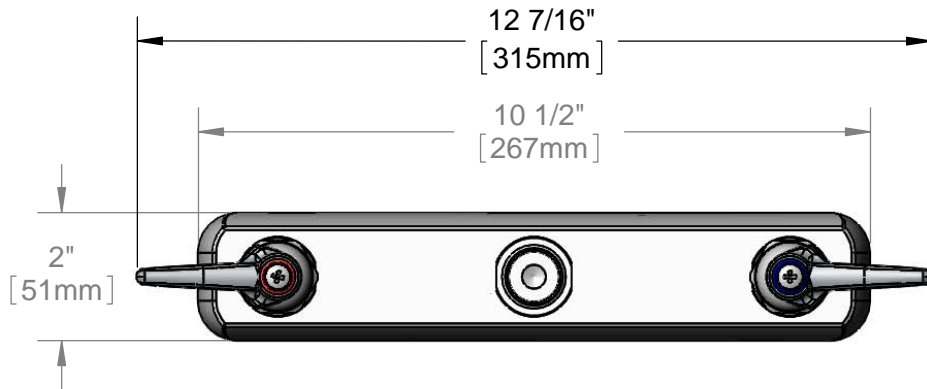
Job Name \_\_\_\_\_ Date \_\_\_\_\_

Model Specified \_\_\_\_\_ Quantity \_\_\_\_\_

Customer/Wholesaler \_\_\_\_\_

Contractor \_\_\_\_\_

Architect/Engineer \_\_\_\_\_



**Rough-In Requirement:**  
(2)  $\phi$  1" [25mm] Mounting Holes

**Product Specifications:**  
8" Deck Mount Workboard Mixing Faucet, Less Nozzle, Lever Handles & 1/2" NPT Male Inlets

**Product Compliance:**  
ASME A112.18.1 / CSA B125.1  
NSF 61 - Section 9  
NSF 372 (Low Lead Content)  
ANSI A117.1 (ADA)

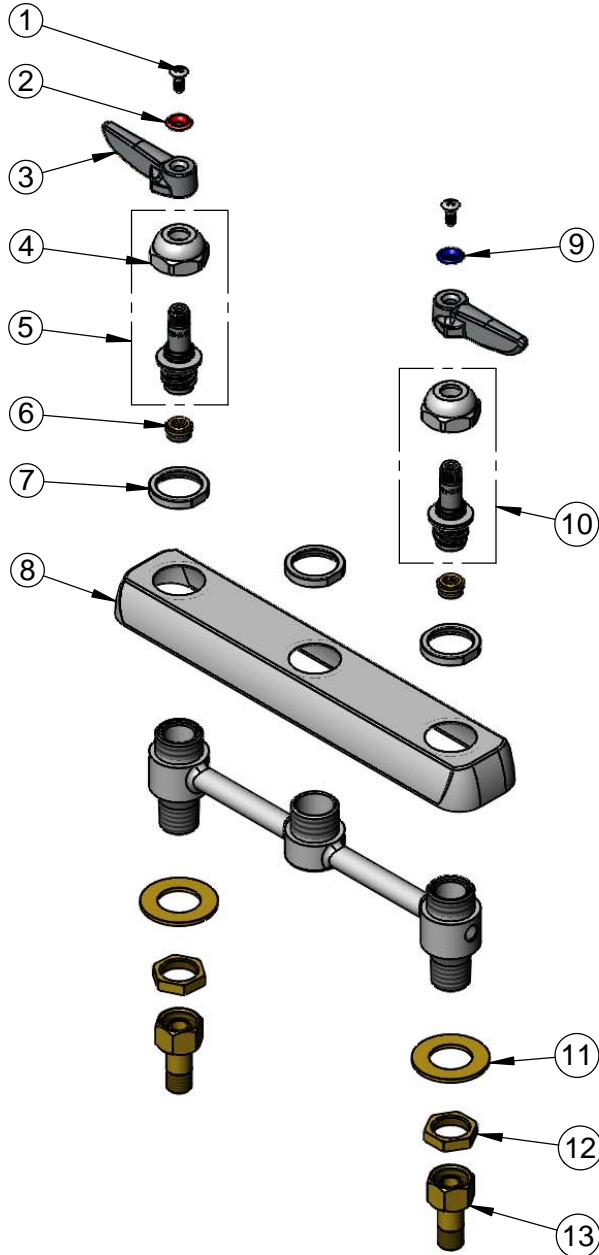


**T&S BRASS AND BRONZE WORKS, INC.**  
 2 Saddleback Cove / P.O. Box 1088  
 Travelers Rest, SC 29690

Model No.  
**B-1120-LN**

Item No.

Travelers Rest, SC: 800-476-4103 • Simi Valley, CA: 800-423-0150 • Fax: 864-834-3518 • www.tsbrass.com



ITEM NO.	SALES NO.	DESCRIPTION
1	000922-45	Lever Handle Screw
2	001661-45	Red Index-HW
3	001638-45	Lever Handle
4	009749-25	Bonnet Nut
5	009753-25	B-1100 Spindle, RTC
6	000763-20	Seat
7	000712-25	Escutcheon Lock Nut
8	001259-40	Escutcheon
9	001660-45	Blue Index-CW
10	009754-25	B-1100 Spindle, LTC
11	000999-45	Brass Lock Washer
12	002954-45	Shank Lock Nut
13	150A	1/4" NPT Tailpiece & Nut

Product Specifications:  
 8" Deck Mount Workboard Mixing Faucet, Less Nozzle, Lever Handles  
 & 1/2" NPT Male Inlets

Product Compliance:  
 ASME A112.18.1 / CSA B125.1  
 NSF 61 - Section 9  
 NSF 372 (Low Lead Content)  
 ANSI A117.1 (ADA)



# T&S BRASS AND BRONZE WORKS, INC.

2 Saddleback Cove / P.O. Box 1088  
Travelers Rest, SC 29690



REG. #A2601  
ISO #9001

Model No.

**B-1120-LN-WH4**

Item No.

Travelers Rest, SC: 800-476-4103 Simi Valley, CA: 800-423-0150 Fax: 864-834-3518 www.tsbrass.com

This Space for Architect/Engineer Approval

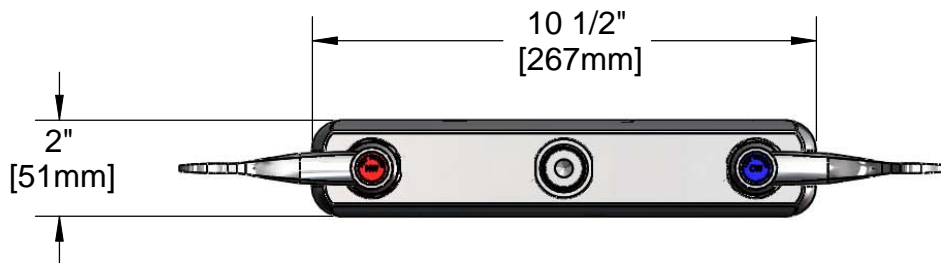
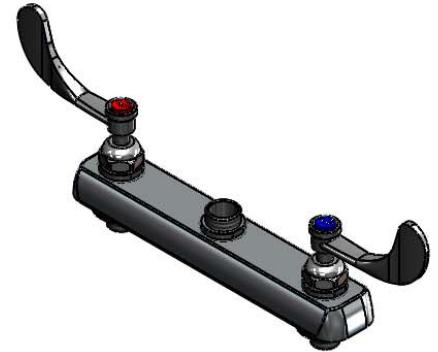
Job Name \_\_\_\_\_ Date \_\_\_\_\_

Model Specified \_\_\_\_\_ Quantity \_\_\_\_\_

Customer/Wholesaler \_\_\_\_\_

Contractor \_\_\_\_\_

Architect/Engineer \_\_\_\_\_



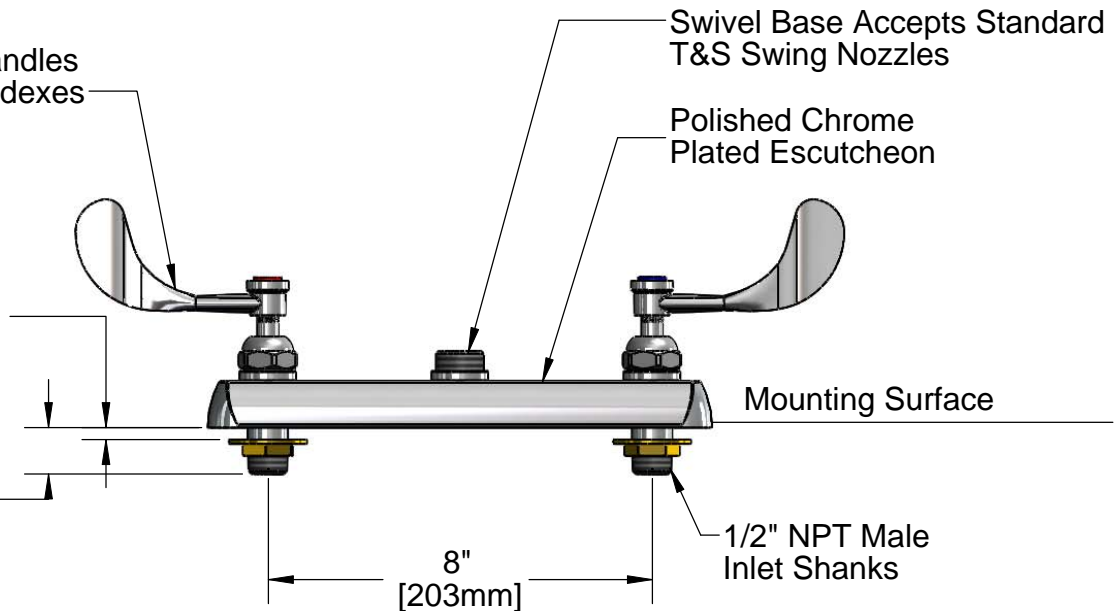
B-WH4  
4" Wrist Action Handles  
w/ Color Coded Indexes

Swivel Base Accepts Standard  
T&S Swing Nozzles

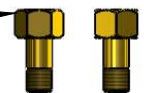
Polished Chrome  
Plated Escutcheon

1/4"  
[6mm]  
Max. Mounting  
Surface Thickness

1"  
[25mm]



150A  
Tailpiece and Nut  
for 1/4" NPT  
Connection  
(Included)



Note: Rough-In Requirements  
(2)  $\phi$  1" [25mm] Holes

Product Specifications:  
8" c/c Workboard Faucet Less Nozzle w/ 4" Wrist  
Action Handles & 1/2" NPT Male Shanks

Drawn KJG	Checked GEF	Approved JHB
Scale: 1:4		Date: 08/18/10



**T&S BRASS AND BRONZE WORKS, INC.**

2 Saddleback Cove / P.O. Box 1088  
Travelers Rest, SC 29690



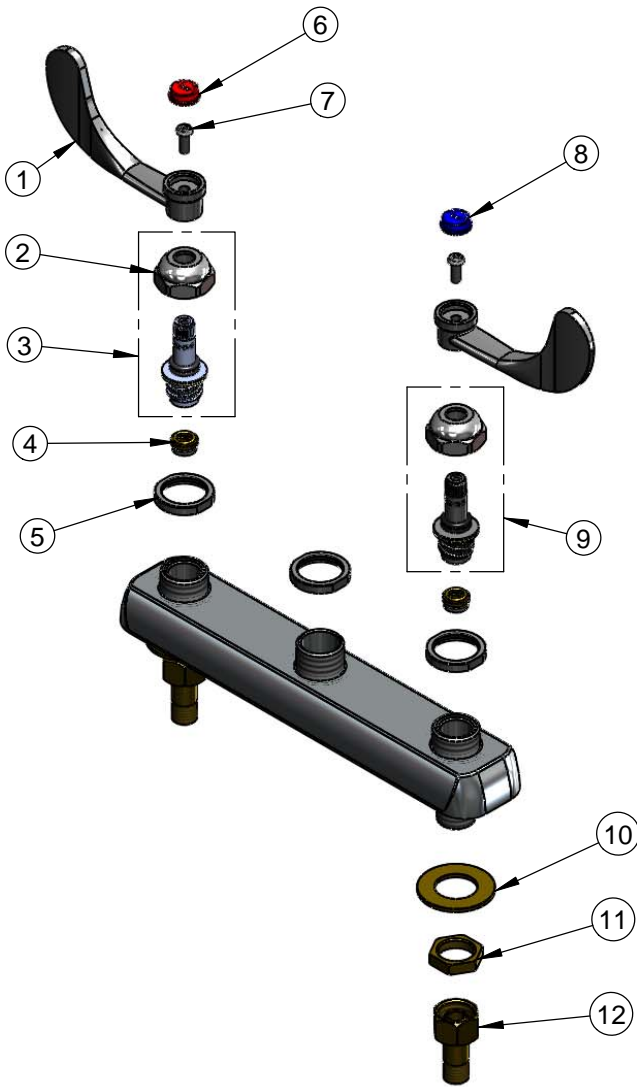
REG. #A2601  
ISO #9001

Model No.

**B-1120-LN-WH4**

Item No.

Travelers Rest, SC: 800-476-4103 Simi Valley, CA: 800-423-0150 Fax: 864-834-3518 www.tsbrass.com



ITEM NO.	SALES NO.	DESCRIPTION
1	B-WH4	4" Wrist Action Handle
2	009749-25	Bonnet Nut
3	009423-40	B-2346 RH Spindle Assembly
4	000763-20	Seat
5	000712-25	Escutcheon Lock Nut
6	001194-45	Red HW Index
7	000925-45	Lab Handle Screw
8	001686-45	Blue CW Index
9	009424-40	B-2346 LH Spindle Assembly
10	000999-45	Brass Lock Washer
11	002954-45	Shank Lock Nut
12	000958-20	Coupling Nut

Product Specifications:

8" c/c Workboard Faucet Less Nozzle w/ 4" Wrist Action Handles & 1/2" NPT Male Shanks

Drawn <b>KJG</b>	Checked <b>GEF</b>	Approved <b>JHB</b>
Scale: <b>NTS</b>		Date: <b>08/18/10</b>



**T&S BRASS AND BRONZE WORKS, INC.**  
 2 Saddleback Cove / P.O. Box 1088  
 Travelers Rest, SC 29690

Model No.

**B-1120-XS-LN**

Item No.

Travelers Rest, SC: 800-476-4103 • Simi Valley, CA: 800-423-0150 • Fax: 864-834-3518 • www.tsbrass.com



**ADA Compliant**

This Space for Architect/Engineer Approval

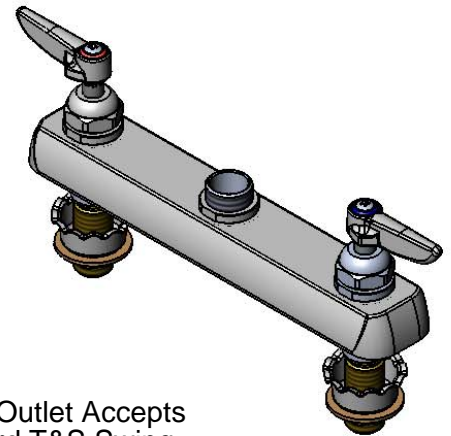
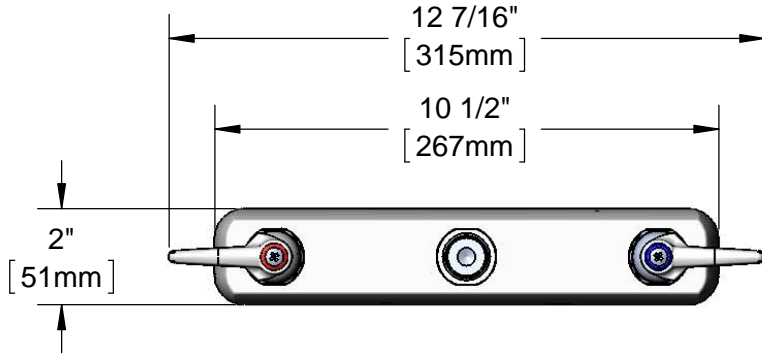
Job Name \_\_\_\_\_ Date \_\_\_\_\_

Model Specified \_\_\_\_\_ Quantity \_\_\_\_\_

Customer/Wholesaler \_\_\_\_\_

Contractor \_\_\_\_\_

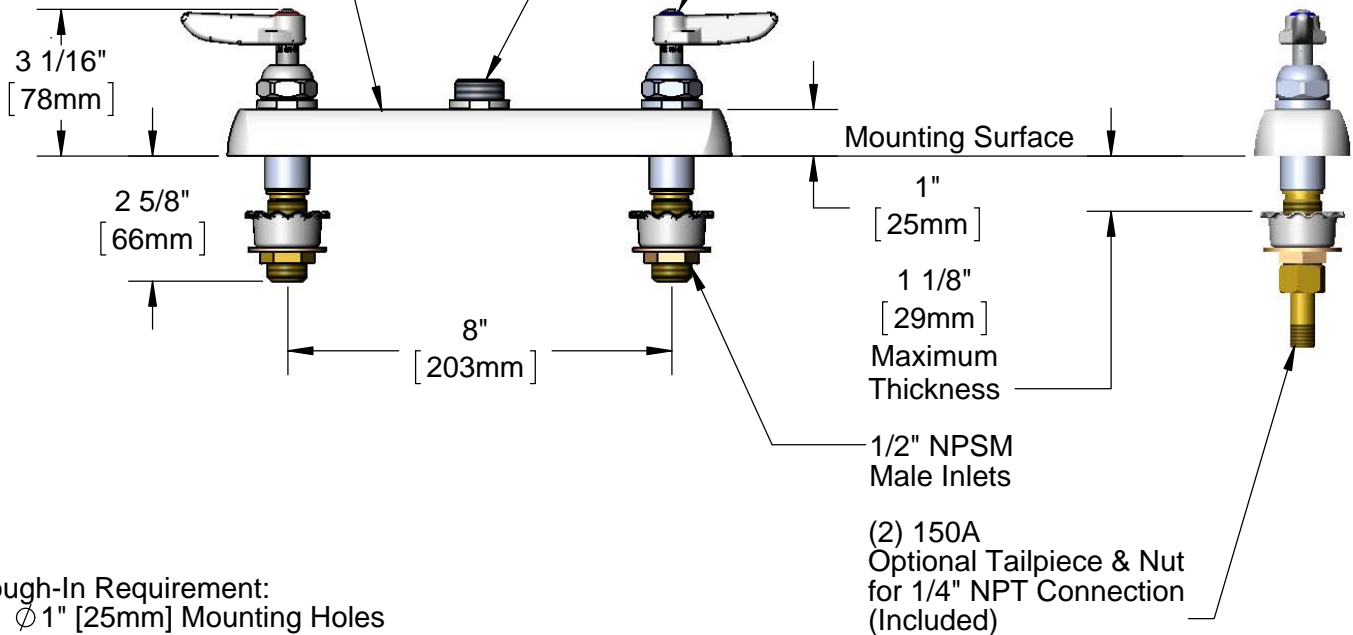
Architect/Engineer \_\_\_\_\_



Polish Chrome  
Plated Escutcheon

Swivel Outlet Accepts  
Standard T&S Swing  
Nozzles

Lever Handles w/  
Color Coded Indexes



Rough-In Requirement:  
(2)  $\phi$  1" [25mm] Mounting Holes

(2) 150A  
Optional Tailpiece & Nut  
for 1/4" NPT Connection  
(Included)

Product Specifications:  
8" Deck Mount Workboard Mixing Faucet, Less Nozzle, Lever Handles  
& Extended 1/2" NPSM Male Inlets

Product Compliance:  
ASME A112.18.1 / CSA B125.1  
NSF 61 - Section 9  
NSF 372 (Low Lead Content)  
ANSI A117.1 (ADA)

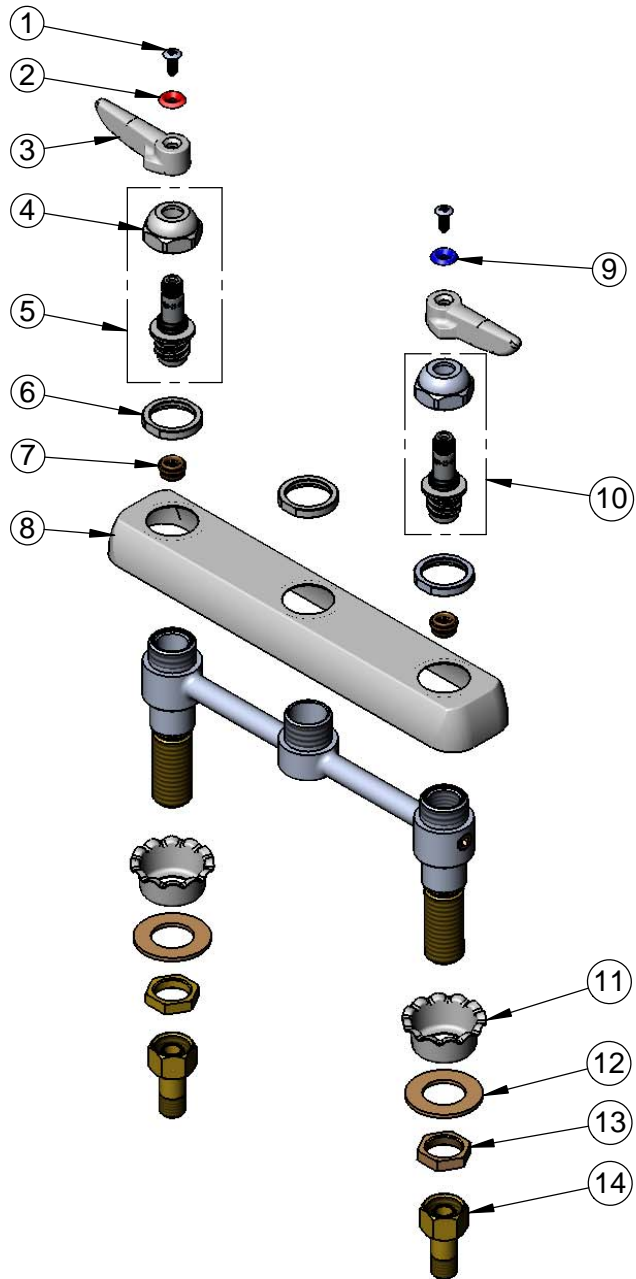


**T&S BRASS AND BRONZE WORKS, INC.**  
 2 Saddleback Cove / P.O. Box 1088  
 Travelers Rest, SC 29690

Model No.  
**B-1120-XS-LN**

Item No.

Travelers Rest, SC: 800-476-4103 • Simi Valley, CA: 800-423-0150 • Fax: 864-834-3518 • www.tsbrass.com



ITEM NO.	SALES NO.	DESCRIPTION
1	000922-45	Lever Handle Screw
2	001661-45	Red Index-HW
3	001638-45	Lever Handle
4	009749-25	Bonnet Nut
5	009753-25	B-1100 Spindle, RTC
6	000712-25	Escutcheon Lock Nut
7	000763-20	Seat
8	001259-40	Escutcheon
9	001660-45	Blue Index-CW
10	009754-25	B-1100 Spindle, LTC
11	001000-45	Rosette Washer
12	000999-45	Brass Lock Washer
13	002954-45	Shank Lock Nut
14	150A	1/4" NPT Tailpiece & Nut

Product Specifications:  
 8" Deck Mount Workboard Mixing Faucet, Less Nozzle, Lever Handles  
 & Extended 1/2" NPSM Male Inlets

Product Compliance:  
 ASME A112.18.1 / CSA B125.1  
 NSF 61 - Section 9  
 NSF 372 (Low Lead Content)  
 ANSI A117.1 (ADA)