



#### Limited One Year Warranty

T&S warrants to the original purchaser (other than for purposes of resale) that such product is free from defects in material and workmanship for a period of one (1) year from the date of purchase. During this one-year warranty period, if the product is found to be defective, T&S shall, at its options, repair and/or replace it. To obtain warranty service, products must be returned to...

*T&S Brass and Bronze Works, Inc.  
Attn: Warranty Repair Department  
2 Saddleback Cove  
Travelers Rest, SC 29690*

Shipping, freight, insurance, and other transportation charges of the product to T&S and the return of repaired or replaced product to the purchaser are the responsibility of the purchaser. Repair and/or replacement shall be made within a reasonable time after receipt by T&S of the returned product. This warranty does not cover items which have received secondary finishing or have been altered or modified after purchase, or for defects caused by physical abuse to or misuse of the product, or shipment of the products.

Any express warranty not provided herein, and any remedy for Breach of Contract which might arise, is hereby excluded and disclaimed. Any implied warranties of merchantability or fitness for a particular purpose are limited to one year in duration. Under no circumstances shall T&S be liable for loss of use or any special consequential costs, expenses or damages.

Some states do not allow limitations on how long and implied warranty lasts or the exclusion or limitation of incidental or consequential damages, so the above limitations or exclusions may not apply to you. Specific rights under this warranty and other rights vary from state to state.

P/N: 098-003122-45 Rev.3  
Date: 04-27-12  
Drawn: TEH  
Checked: JRM 06-05-12  
Approved: JHB 06-05-12

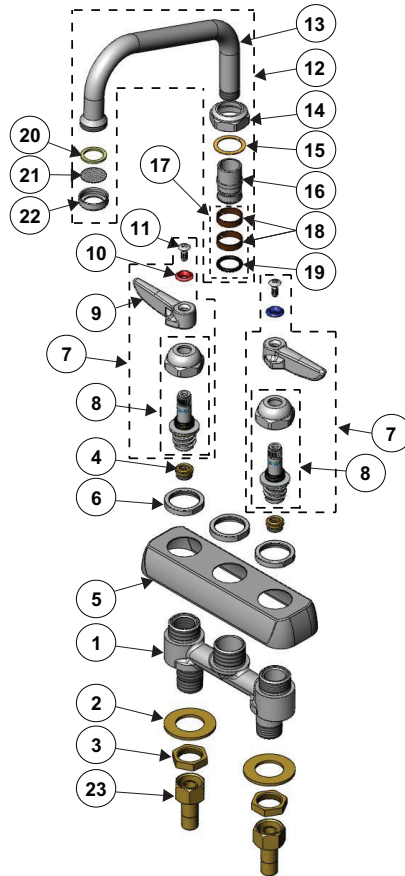
# Installation and Maintenance Instructions



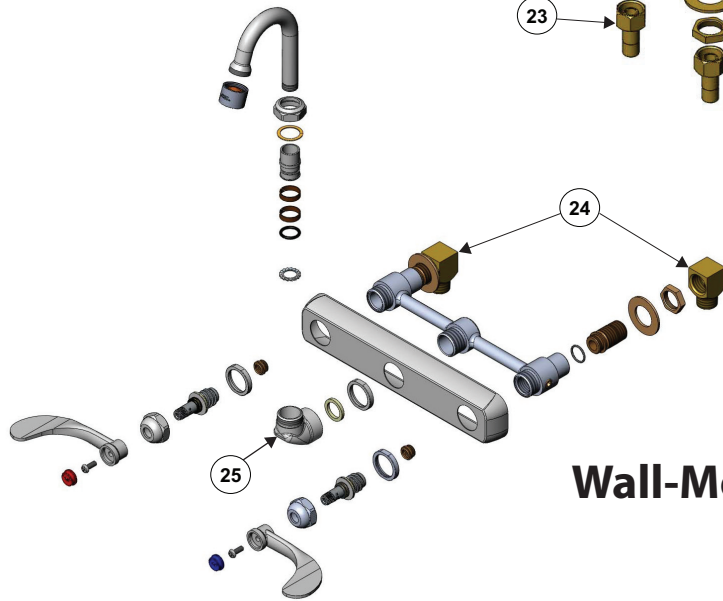
## WORKBOARD FAUCET B-1100 Series

# Exploded View

Deck-Mount



Wall-Mount



# Part Number Guide

## **Base Faucet Assembly**

	Asm, Base Faucet (B-1100 - B-1103)	
1	Base Faucet	N/A
2	Washer, Shank	000999-45
3	Locknut	002954-45
4	Seat	000763-20
5	Escutcheon, Body (3-1/2" - 4" Centers)	001258-40
	Escutcheon, Body (8" Centers)	001259-40
6	Locknut, Cover Plate	000712-25
7	Asm, Spindle - LTC, Includes Screw, Index & Handle	002709-40
	Asm, Spindle - RTC, Includes Screw, Index & Handle	002710-40
8	Spindle - LTC	009754-25
	Spindle - RTC	009753-25
9	Handle	001638-45
10	Index, Button - Blue	001660-45
	Index, Button - Red	001661-45
11	Screw, Lever Handle	000922-45
23	Nut & Tailpiece	150A
	<b>(ITEMS 24-25 FOR WALL-MOUNT ONLY)</b>	
24	* Optional Supply Connector Kit	B-1100-K
25	B-1100 Knob	000082-40

\* Order separately

## **Nozzle Assemblies**

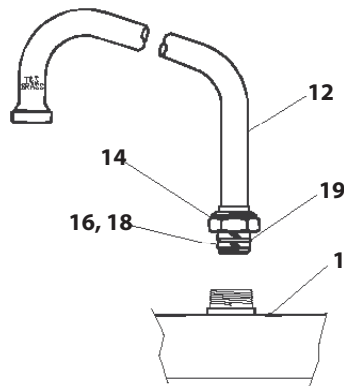
12	Asm, Swing Nozzle - 6"	059X
	Asm, Swing Nozzle - 8"	060X
	Asm, Swing Nozzle - 10"	061X
	Asm, Swing Nozzle - 12"	062X
	<b>Note: Items 15 and 19 are included when ordering nozzles</b>	
13	Nozzle (See Models)	N/A
14	Nut, Swivel	N/A
15	Washer, Swivel	N/A
16	Swivel Piece	N/A
17	Repair Parts Kit	011643-45
18	Sleeve, Swivel	011429-45
19	O-Ring	001074-45
20	Washer, Nozzle Tip	001048-45
21	Screen, Nozzle Tip	001323-45
22	Tip, Nozzle	000863-25

# General Instructions

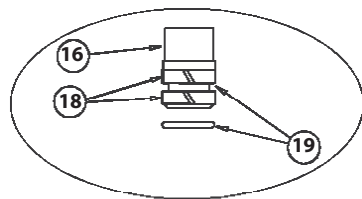
## Nozzle Installation:

**Note: Nozzle should be installed first. See diagram below:**

1. Shut off water supply and drain lines. Insert no.12 into no.1 and rotate to front of sink.
2. Tighten no.14 firmly with a wrench.

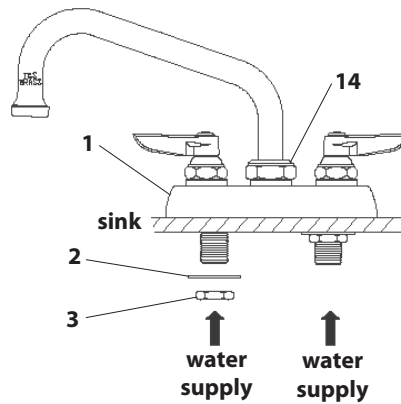


**Note: See repair kit 011643-45 for replacement of no.18 and no.19.**



## Faucet Installation:

3. Drill (2) two holes into sink or countertop where you are installing no.1. **Inlet spacing: 3-1/2", 4" or 8" center to center.**



4. Place no.1 into pre-drilled holes. Reinstall no.2 and no.3 back onto no.1 shank under bottom of sink. Tighten no.3 with a wrench.
5. Turn on water supply and check for leaks.

## RELATED T&S BRASS PRODUCT LINE



**B-2347**  
**Lavatory Faucet**  
**with Hose Spray**

---

## **T&S BRASS AND BRONZE WORKS, INC.**

A firm commitment to application-engineered plumbing products

2 Saddleback Cove, P.O. Box 1088  
Travelers Rest, SC 29690  
Phone: (864) 834-4102  
Fax: (864) 834-3518  
E-mail: [tsbrass@tsbrass.com](mailto:tsbrass@tsbrass.com)

T & S Brass-Europe  
'De Veenhoeve'  
Oude Nieuwveenseweg 84  
2441 CW Nieuwveen  
The Netherlands



**RELIABILITY BUILT IN™**