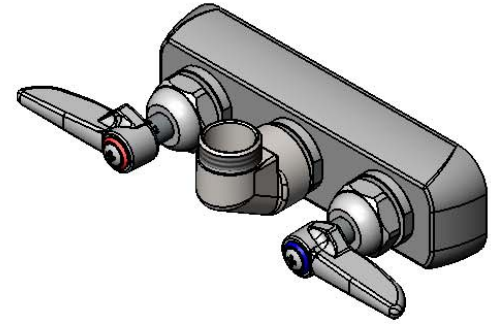
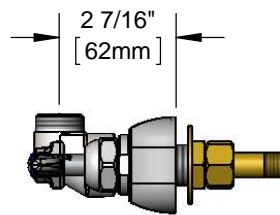
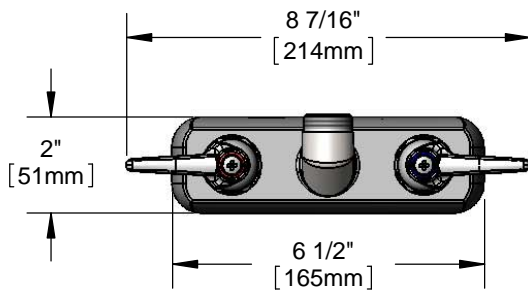




#### Architect/Engineering Specifications:

4" wall mount mixing faucet with chrome plated brass body, swivel outlet (less nozzle), compression spindles, lever handles, 1/2" NPT male inlets, removable brass seats and chrome plated escutcheon. Certified to ASME A112.18.1/CSA B125.1, NSF 61-Section 9 and NSF 372. Meets ADA ANSI/ICC A117.1 requirements.

Job Name _____
Model Specified _____ Quantity _____
Variations Specified _____
Date _____



#### Features & Benefits:

- 4" wall mount mixing faucet w/ chrome plated brass body
- Swivel outlet accepts standard T&S swing nozzles
- Compression spindles
- Lever handles w/ color coded indexes
- 1/2" NPT male inlets
- Tailpieces and nuts for 1/4" NPT male connections
- Removable brass seats
- Chrome plated escutcheon
- Material: Chrome plated brass body and chrome plated metal handles & escutcheon

#### Product Compliance:

- ASME A112.18.1 / CSA B125.1
- NSF 61 - Section 9
- NSF 372 (Low Lead Content)
- ANSI A117.1 (ADA)



**Warranty:** One Year (Limited)

#### Performance Data:

- Pressure: 20 - 125 psi
  - Temperature: 40°F - 140°F
  - Flow Rate: 10.50 GPM @ 60 psi
- (Outlet Device &/or Final Configuration May Reduce Flow Rate)



**ADA Compliant**

#### Optional Handles

- 4" Wrist Action
- Lever (Standard)

