



**T&S BRASS AND BRONZE WORKS, INC.**  
 2 Saddleback Cove / P.O. Box 1088  
 Travelers Rest, SC 29690

Model No.  
**B-1100-LN**

Item No.

Travelers Rest, SC: 800-476-4103 • Simi Valley, CA: 800-423-0150 • Fax: 864-834-3518 • www.tsbrass.com



**ADA Compliant**

This Space for Architect/Engineer Approval

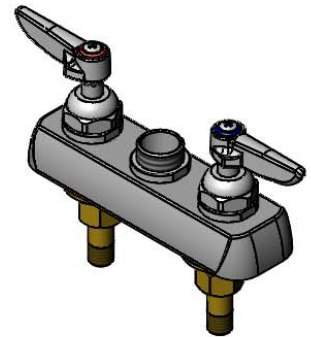
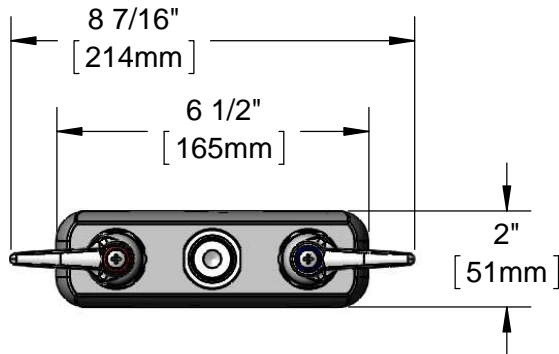
Job Name \_\_\_\_\_ Date \_\_\_\_\_

Model Specified \_\_\_\_\_ Quantity \_\_\_\_\_

Customer/Wholesaler \_\_\_\_\_

Contractor \_\_\_\_\_

Architect/Engineer \_\_\_\_\_



Lever Handles  
w/ Color Coded  
Indexes

Swivel Outlet Accepts  
Standard T&S Swing  
Nozzles

Polish Chrome  
Plated Escutcheon

3 1/16"  
[78mm]

1"  
[25mm]

Mounting Surface

1/4"  
[6mm]  
Maximum  
Thickness

3 1/2"  
[89mm]

1/2" NPT Male Inlets

(2) 150A  
Optional Tailpiece & Nut  
for 1/4" NPT Connection  
(Included)

**Rough-In Requirement:**  
 (2)  $\phi$  1" [25mm] Mounting Holes

**Product Specifications:**  
 3 1/2" Deck Mount Workboard Faucet, Lever Handles  
 & 1/2" NPT Male Inlets, Less Nozzle

**Product Compliance:**  
 ASME A112.18.1 / CSA B125.1  
 NSF 61 - Section 9  
 NSF 372 (Low Lead Content)  
 ANSI A117.1 (ADA)

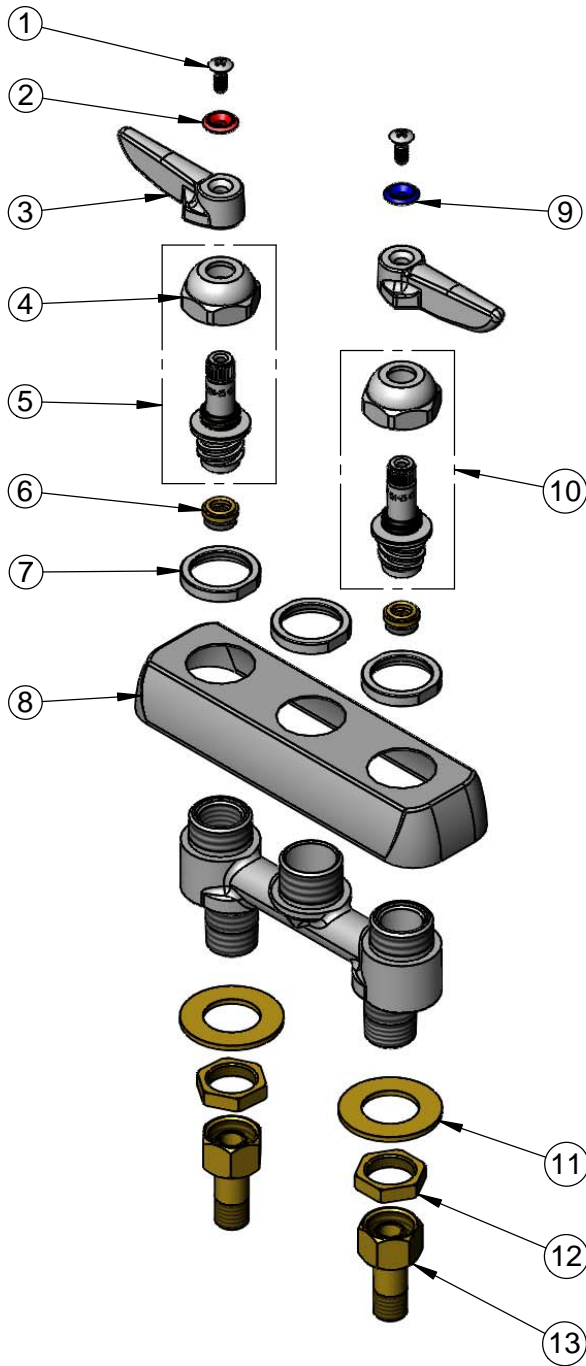


**T&S BRASS AND BRONZE WORKS, INC.**  
 2 Saddleback Cove / P.O. Box 1088  
 Travelers Rest, SC 29690

Model No.  
**B-1100-LN**

Item No.

Travelers Rest, SC: 800-476-4103 • Simi Valley, CA: 800-423-0150 • Fax: 864-834-3518 • www.tsbrass.com



ITEM NO.	SALES NO.	DESCRIPTION
1	000922-45	Lever Handle Screw
2	001661-45	Red Index-HW
3	001638-45	Lever Handle
4	009749-25	Bonnet Nut
5	009753-25	B-1100 Spindle, RTC
6	000763-20	Seat
7	000712-25	Escutcheon Lock Nut
8	001258-40	Escutcheon
9	001660-45	Blue Index-CW
10	009754-25	B-1100 Spindle, LTC
11	000999-45	Brass Lock Washer
12	002954-45	Shank Lock Nut
13	150A	1/4" NPT Tailpiece & Nut

**Product Specifications:**

3 1/2" Deck Mount Workboard Faucet, Lever Handles & 1/2" NPT Male Inlets, Less Nozzle

**Product Compliance:**

ASME A112.18.1 / CSA B125.1  
 NSF 61 - Section 9  
 NSF 372 (Low Lead Content)  
 ANSI A117.1 (ADA)