



T&S BRASS AND BRONZE WORKS, INC.

2 Saddleback Cove / P.O. Box 1088
Travelers Rest, SC 29690

Model No.

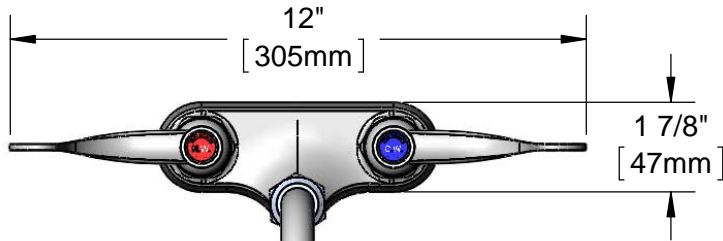
B-0892-01QT

Item No.

Travelers Rest, SC: 800-476-4103 • Simi Valley, CA: 800-423-0150 • Fax: 864-834-3518 • www.tsbrass.com



ADA Compliant



This Space for Architect/Engineer Approval

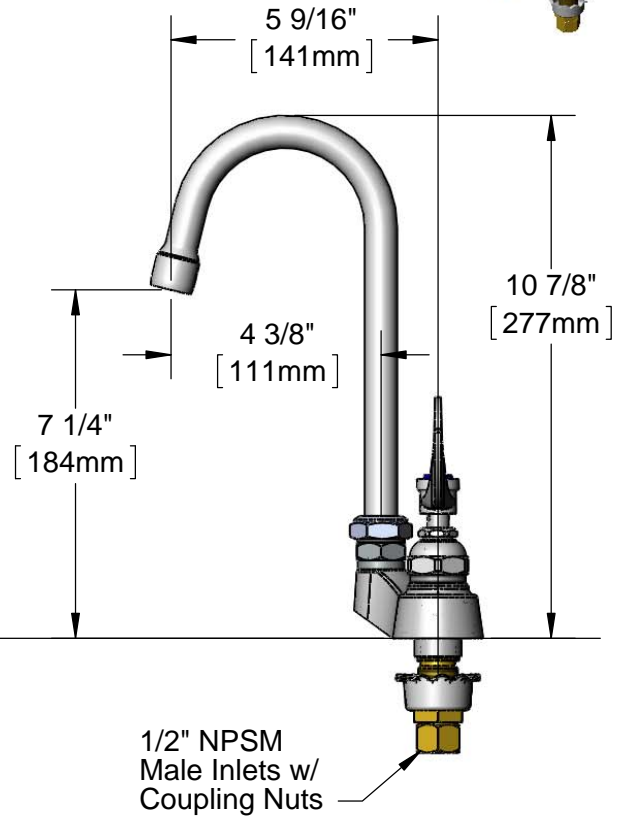
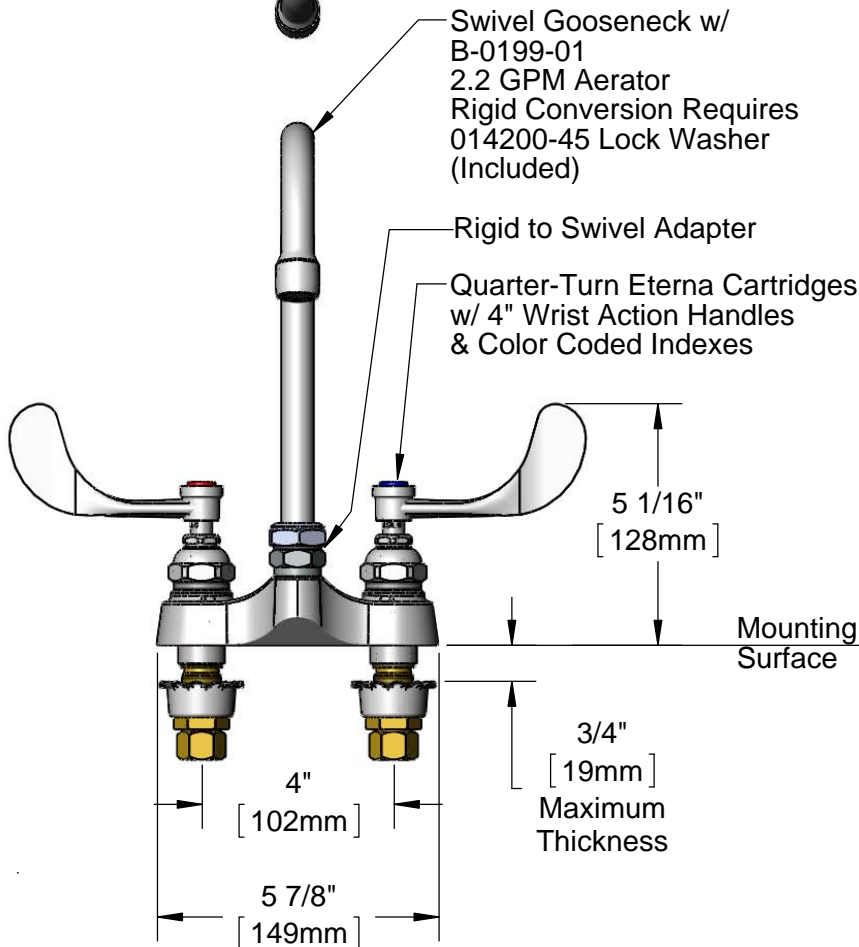
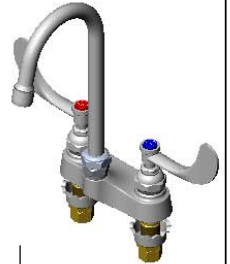
Job Name _____ Date _____

Model Specified _____ Quantity _____

Customer/Wholesaler _____

Contractor _____

Architect/Engineer _____



Rough-In Requirement:
(2) ϕ 1 1/8" [29mm] Mounting Holes

Product Specifications:
4" Centerset Deck Mount Mixing Faucet, Quarter-Turn Eterna Cartridges, 4" Wrist Action Handles, Swivel Gooseneck, 2.2 GPM Aerator, Rigid to Swivel Adapter & 1/2" NPSM Male Inlets

Product Compliance:
ASME A112.18.1 / CSA B125.1
NSF 61 - Section 9
NSF 372 (Low Lead Content)
ANSI A117.1 (ADA)



T&S BRASS AND BRONZE WORKS, INC.

2 Saddleback Cove / P.O. Box 1088
Travelers Rest, SC 29690

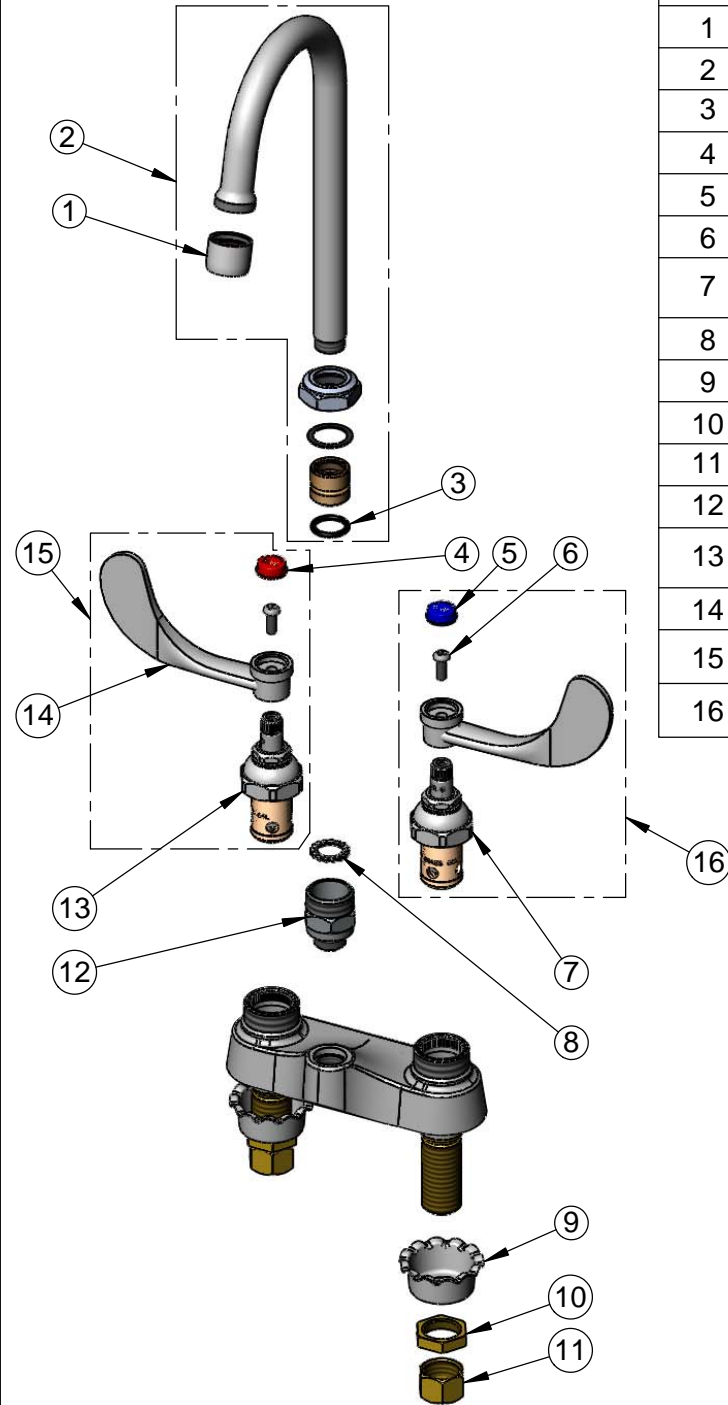
Model No.

B-0892-01QT

Item No.

Travelers Rest, SC: 800-476-4103 • Simi Valley, CA: 800-423-0150 • Fax: 864-834-3518 • www.tsbrass.com

ITEM NO.	SALES NO.	DESCRIPTION
1	B-0199-01	2.2 GPM Aerator, 55/64-27 UN Female
2	017907-40	Swivel Gooseneck
3	001074-45	O-Ring
4	001194-45	Red Index - HW
5	001686-45	Blue Index - CW
6	000925-45	Lab Handle Screw
7	006009-40QT	Quarter-Turn Eterna Cartridge, LTC (Teflon)
8	014200-45	Star Washer, Anti-Rotation
9	001000-45	Rosette Washer
10	002954-45	Shank Lock Nut
11	000958-20	Coupling Nut
12	B-0412	Rigid to Swivel Adapter
13	006010-40QT	Quarter-Turn Eterna Cartridge, RTC (Teflon)
14	B-WH4	4" Wrist Action Handle
15	B-WH4H	4" Wrist Action Handle, Screw & Hot Index
16	B-WH4C	4" Wrist Action Handle, Screw & Cold Index



Product Specifications:

4" Centerset Deck Mount Mixing Faucet, Quarter-Turn Eterna Cartridges, 4" Wrist Action Handles, Swivel Gooseneck, 2.2 GPM Aerator, Rigid to Swivel Adapter & 1/2" NPSM Male Inlets

Product Compliance:

ASME A112.18.1 / CSA B125.1
NSF 61 - Section 9
NSF 372 (Low Lead Content)
ANSI A117.1 (ADA)



T&S BRASS AND BRONZE WORKS, INC.

2 Saddleback Cove / P.O. Box 1088
Travelers Rest, SC 29690

Model No.

B-0892-01CR-L22

Item No.

Travelers Rest, SC: 800-476-4103 • Simi Valley, CA: 800-423-0150 • Fax: 864-834-3518 • www.tsbrass.com



ADA Compliant

This Space for Architect/Engineer Approval

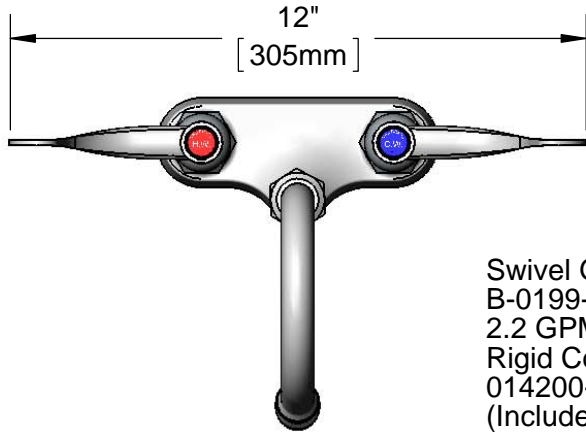
Job Name _____ Date _____

Model Specified _____ Quantity _____

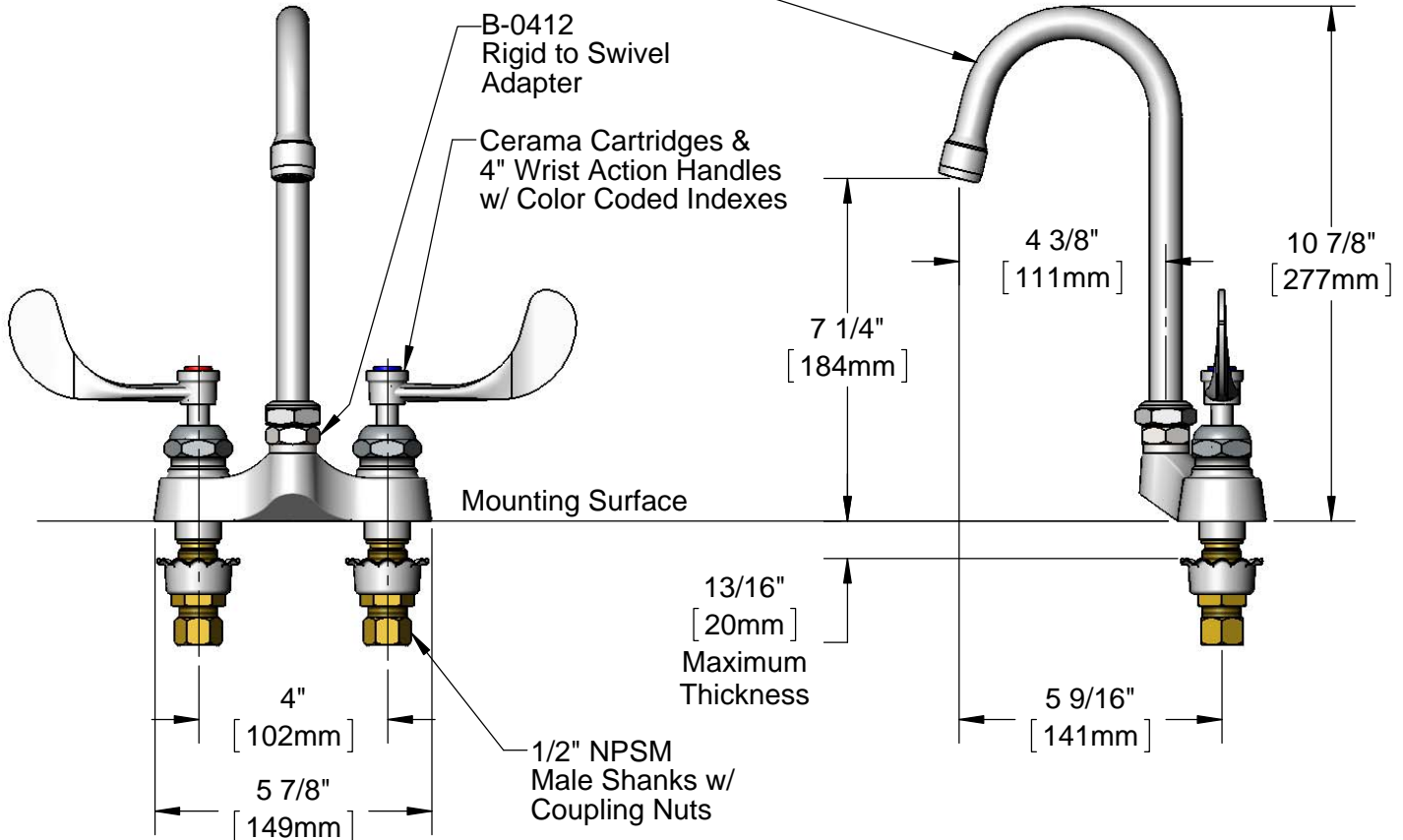
Customer/Wholesaler _____

Contractor _____

Architect/Engineer _____



Swivel Gooseneck w/
B-0199-21
2.2 GPM Laminar Flow Device
Rigid Conversion Requires
014200-45 Lock Washer
(Included)



Rough-In Requirement:
(2) \varnothing 1 1/8" [29mm] Mounting Holes

Product Specifications:
4" Centerset Faucet w/ Cerama Cartridges, 4" Wrist Action Handles, Swivel Gooseneck, 2.2 GPM Laminar Flow Device & 1/2" NPSM Male Shanks

Drawn KJG	Checked DHL	Approved JHB
Scale: 1:4		Date: 07/06/12



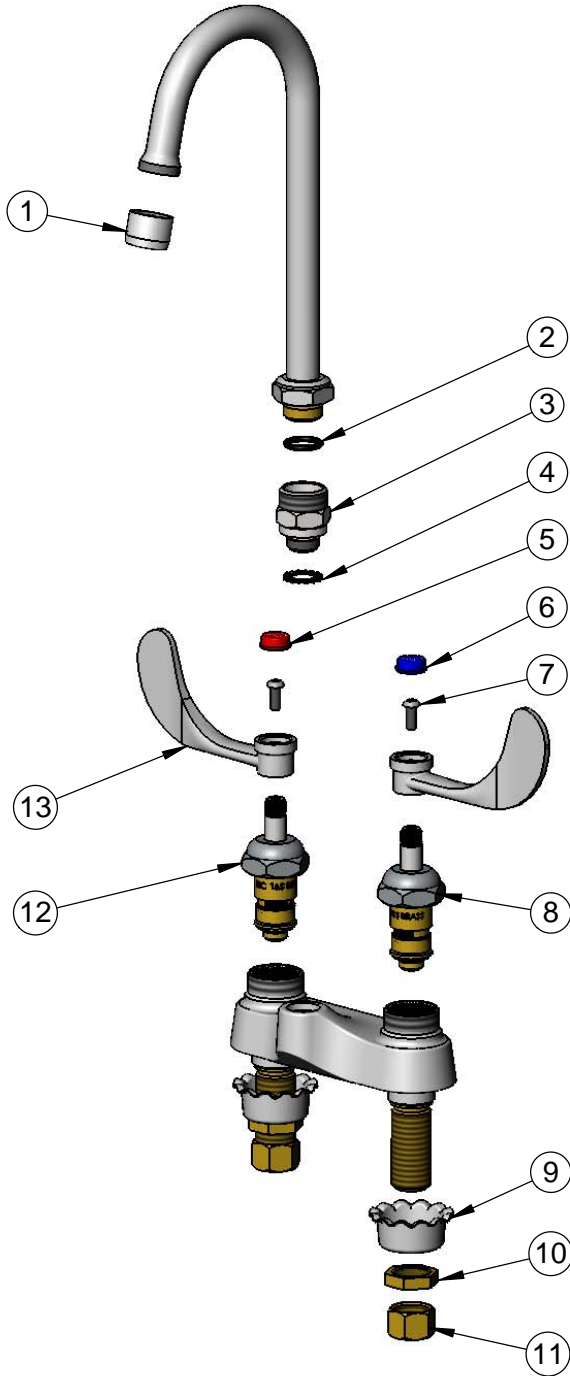
T&S BRASS AND BRONZE WORKS, INC.
 2 Saddleback Cove / P.O. Box 1088
 Travelers Rest, SC 29690

Model No.
B-0892-01CR-L22

Item No.

Travelers Rest, SC: 800-476-4103 • Simi Valley, CA: 800-423-0150 • Fax: 864-834-3518 • www.tsbrass.com

ITEM NO.	SALES NO.	DESCRIPTION
1	B-0199-21	Laminar Flow Device
2	001074-45	O-Ring
3	B-0412	Rigid to Swivel Adapter
4	014200-45	Star Washer, Anti-Rotation
5	001194-45	Red HW Index
6	001686-45	Blue CW Index
7	000925-45	Lab Handle Screw
8	011279-25	Cerama Cartridge, LTC w/ Bonnet
9	001000-45	Rosette Washer
10	002954-45	Shank Lock Nut
11	000958-20	Coupling Nut
12	011278-25	Cerama Cartridge, RTC w/ Bonnet
13	B-WH4	4" Wrist Action Handle



Product Specifications:
 4" Centerset Faucet w/ Cerama Cartridges, 4" Wrist Action Handles,
 Swivel Gooseneck, 2.2 GPM Laminar Flow Device & 1/2" NPSM
 Male Shanks

Drawn KJG	Checked DHL	Approved JHB
Scale: NTS		Date: 07/06/12



T&S BRASS AND BRONZE WORKS, INC.

2 Saddleback Cove / P.O. Box 1088
Travelers Rest, SC 29690

Model No.

B-0892-133X

Item No.

Travelers Rest, SC: 800-476-4103 • Simi Valley, CA: 800-423-0150 • Fax: 864-834-3518 • www.tsbrass.com



ADA Compliant

This Space for Architect/Engineer Approval

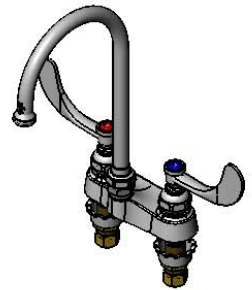
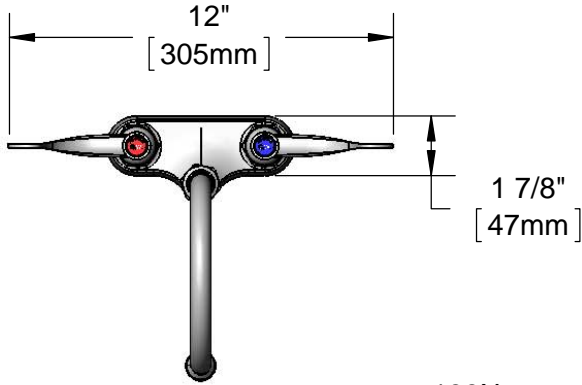
Job Name _____ Date _____

Model Specified _____ Quantity _____

Customer/Wholesaler _____

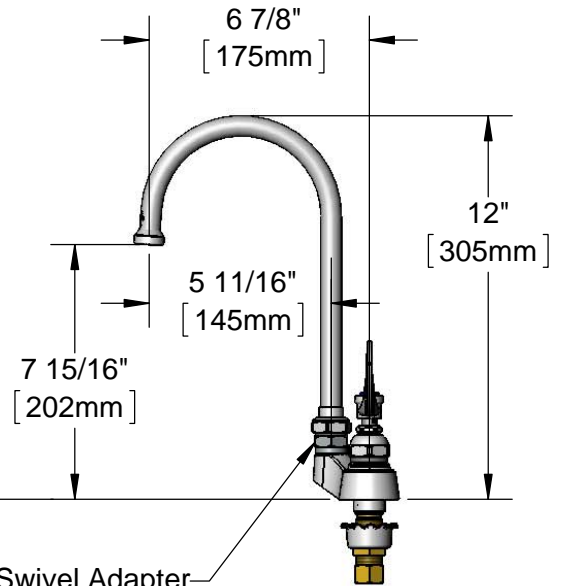
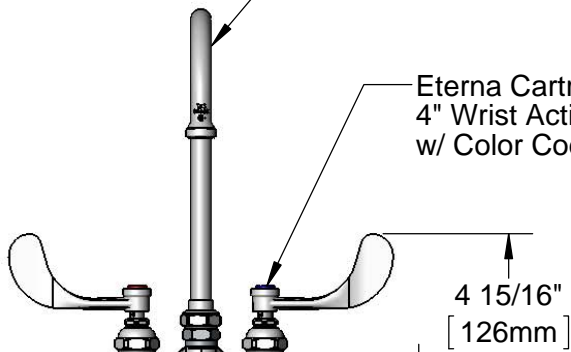
Contractor _____

Architect/Engineer _____



133X Swivel Gooseneck w/ Stream Regulator Outlet

Eterna Cartridges & 4" Wrist Action Handles w/ Color Coded Indexes



Mounting Surface

Rigid to Swivel Adapter

3/4" [19mm] Maximum Thickness

4" [102mm]
5 7/8" [149mm]

1/2" NPSM Male Inlets w/ Coupling Nuts

Rough-In Requirement:
(2) ϕ 1 1/8" [29mm] Mounting Holes

Product Specifications:
4" Centerset Deck Mount Mixing Faucet, Eterna Cartridges, 4" Wrist Action Handles, Swivel Gooseneck w/ Stream Regulator Outlet & 1/2" NPSM Male Inlets w/ Coupling Nuts

Product Compliance:
ASME A112.18.1 / CSA B125.1
NSF 61 - Section 9
NSF 372 (Low Lead Content)
ANSI A117.1 (ADA)



T&S BRASS AND BRONZE WORKS, INC.

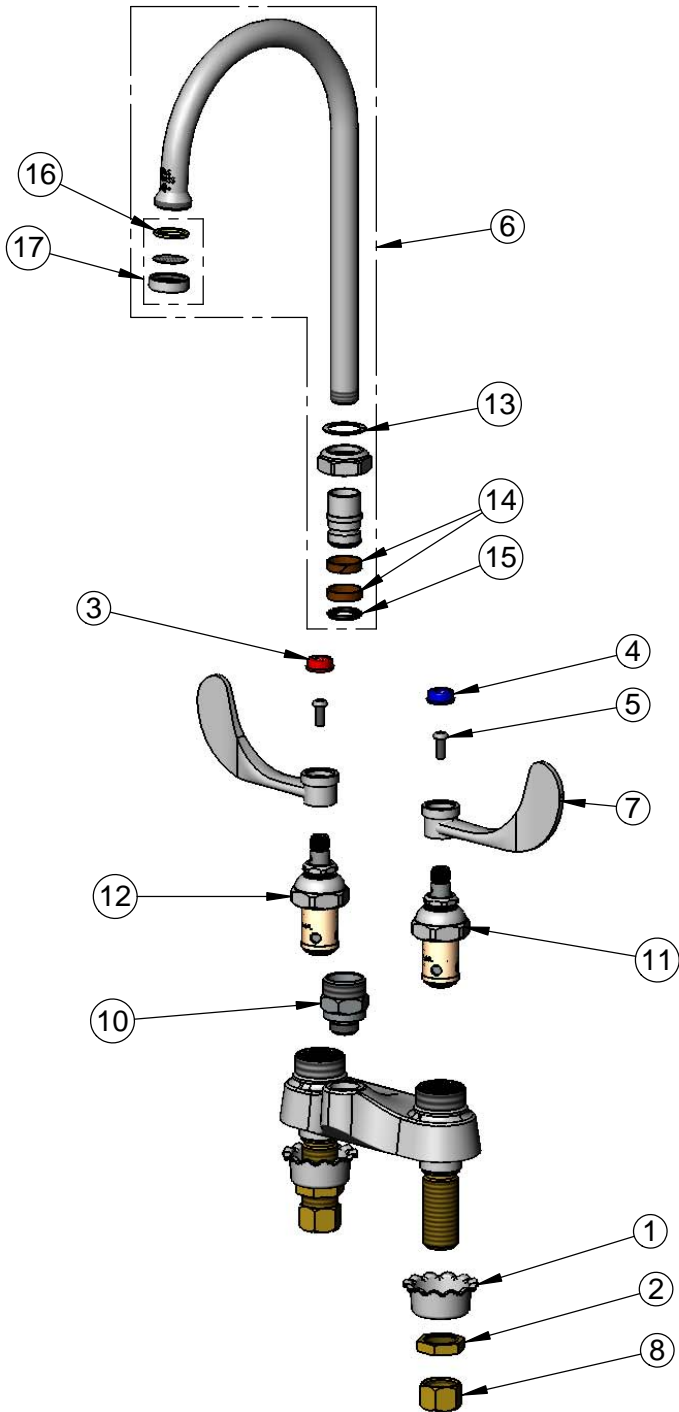
2 Saddleback Cove / P.O. Box 1088
Travelers Rest, SC 29690

Model No.

B-0892-133X

Item No.

Travelers Rest, SC: 800-476-4103 • Simi Valley, CA: 800-423-0150 • Fax: 864-834-3518 • www.tsbrass.com



ITEM NO.	SALES NO.	DESCRIPTION
1	001000-45	Rosette Washer
2	002954-45	Shank Lock Nut
3	001194-45	Red Index - HW
4	001686-45	Blue Index - CW
5	000925-45	Lab Handle Screw
6	133X	Swivel Gooseneck
7	B-WH4	4" Wrist Action Handle
8	000958-20	Coupling Nut
10	B-0412	Rigid to Swivel Adapter
11	006009-40	Eterna Cartridge, LTC (Teflon)
12	006010-40	Eterna Cartridge, RTC (Teflon)
13	009538-45	Swivel Washer
14	011429-45	Swivel Sleeves (2)
15	001074-45	O-Ring
16	001048-45	Nozzle Tip Washer
17	B-PT	Stream Regulator Outlet

Product Specifications:

4" Centerset Deck Mount Mixing Faucet, Eterna Cartridges, 4" Wrist Action Handles, Swivel Gooseneck w/ Stream Regulator Outlet & 1/2" NPSM Male Inlets w/ Coupling Nuts

Product Compliance:

ASME A112.18.1 / CSA B125.1
NSF 61 - Section 9
NSF 372 (Low Lead Content)
ANSI A117.1 (ADA)



T&S BRASS AND BRONZE WORKS, INC.

2 Saddleback Cove / P.O. Box 1088
Travelers Rest, SC 29690

Model No.

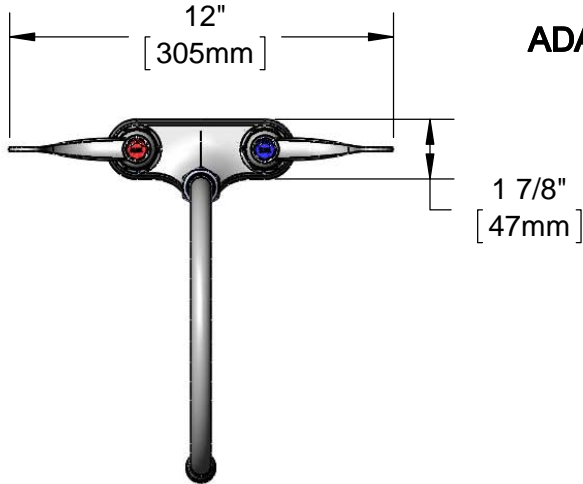
B-0892-135X

Item No.

Travelers Rest, SC: 800-476-4103 • Simi Valley, CA: 800-423-0150 • Fax: 864-834-3518 • www.tsbrass.com



ADA Compliant



This Space for Architect/Engineer Approval

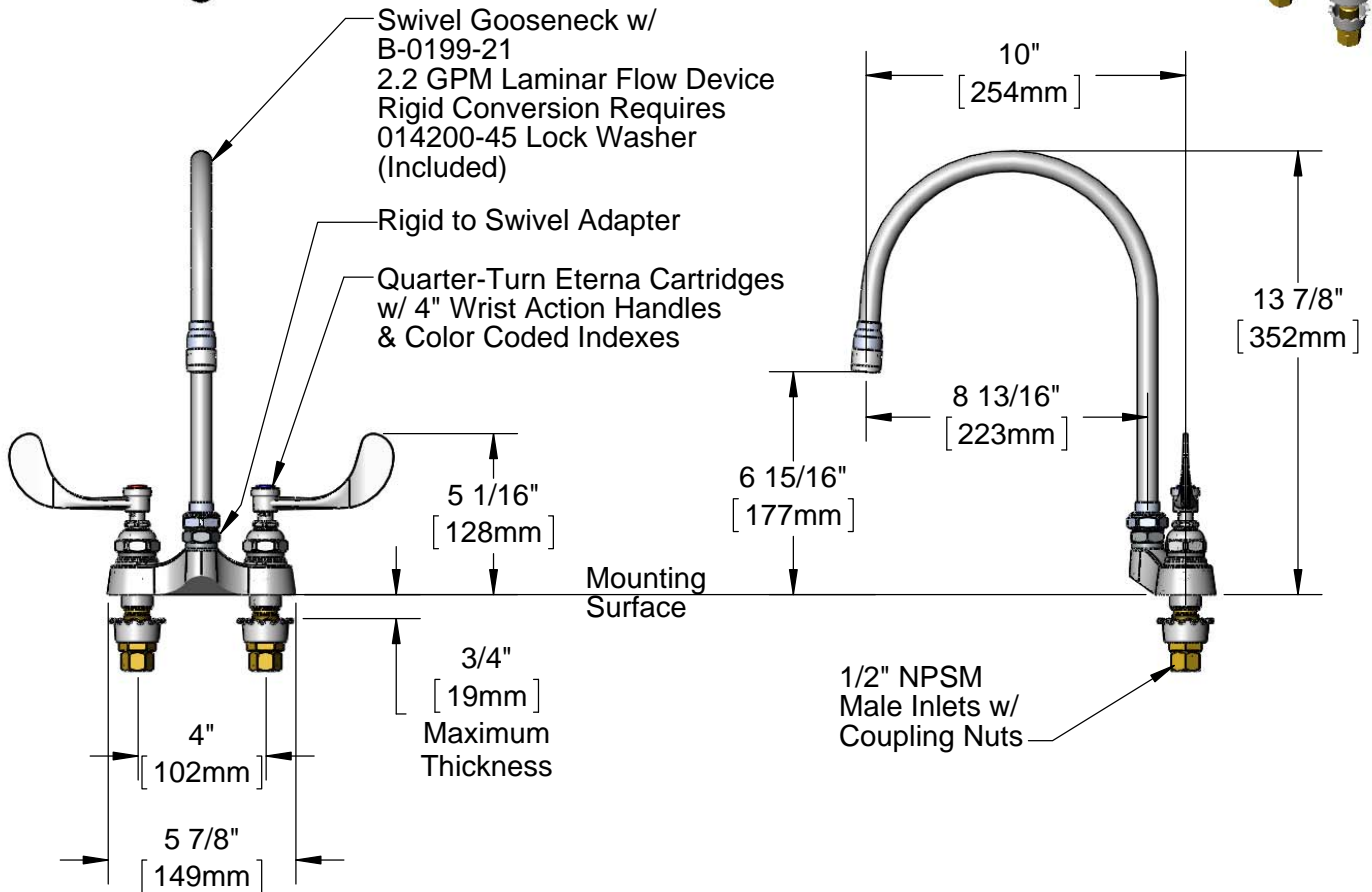
Job Name _____ Date _____

Model Specified _____ Quantity _____

Customer/Wholesaler _____

Contractor _____

Architect/Engineer _____



Rough-In Requirement:
(2) ϕ 1 1/8" [29mm] Mounting Holes

Product Specifications:
4" Centerset Deck Mount Mixing Faucet, Quarter-Turn Eterna Cartridges,
4" Wrist Action Handles, Swivel Gooseneck, 2.2 GPM Laminar Flow Device,
Rigid to Swivel Adapter & 1/2" NPSM Male Inlets

Product Compliance:
ASME A112.18.1 / CSA B125.1
NSF 61 - Section 9
NSF 372 (Low Lead Content)
ANSI A117.1 (ADA)



T&S BRASS AND BRONZE WORKS, INC.

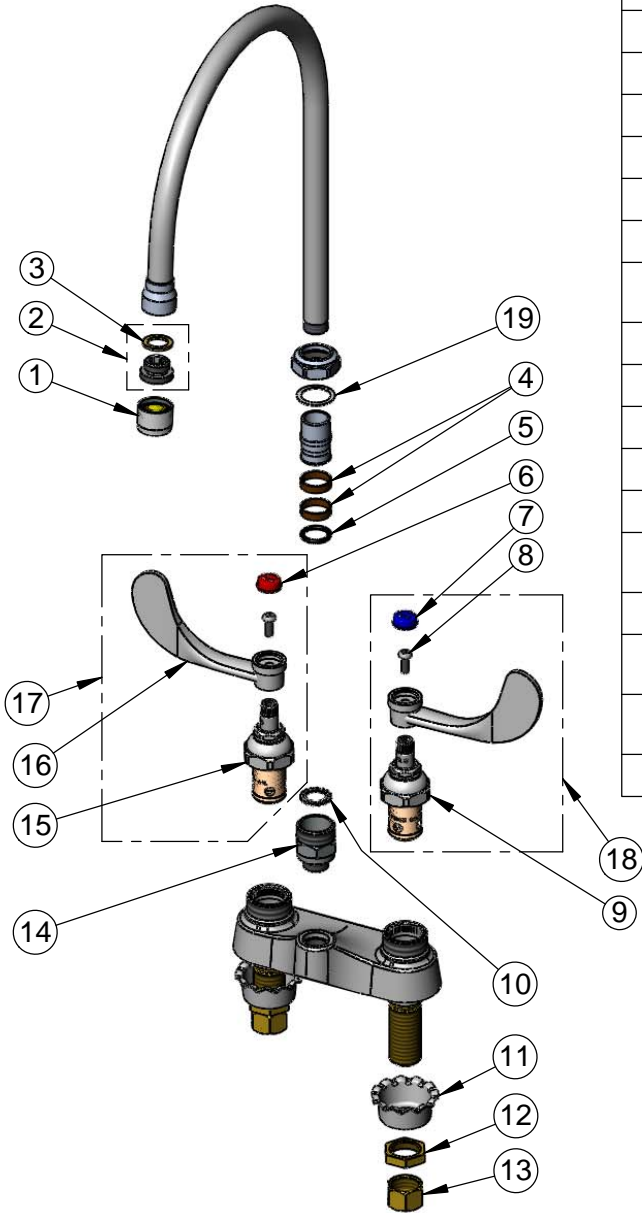
2 Saddleback Cove / P.O. Box 1088
Travelers Rest, SC 29690

Model No.

B-0892-135X

Item No.

Travelers Rest, SC: 800-476-4103 • Simi Valley, CA: 800-423-0150 • Fax: 864-834-3518 • www.tsbrass.com



ITEM NO.	SALES NO.	DESCRIPTION
1	B-0199-21	2.2 GPM Laminar Flow Device, 55/64-27 UN Female
2	044A	3/8" to Aerator Adapter
3	001043-45	Washer
4	011429-45	Swivel Sleeves (2)
5	001074-45	O-Ring
6	001194-45	Red Index - HW
7	001686-45	Blue Index - CW
8	000925-45	Lab Handle Screw
9	006009-40QT	Quarter-Turn Eterna Cartridge, LTC (Teflon)
10	014200-45	Star Washer, Anti-Rotation
11	001000-45	Rosette Washer
12	002954-45	Shank Lock Nut
13	000958-20	Coupling Nut
14	B-0412	Rigid to Swivel Adapter
15	006010-40QT	Quarter-Turn Eterna Cartridge, RTC (Teflon)
16	B-WH4	4" Wrist Action Handle
17	B-WH4H	4" Wrist Action Handle, Screw & Hot Index
18	B-WH4C	4" Wrist Action Handle, Screw & Cold Index
19	009538-45	Swivel Washer

Product Specifications:

4" Centerset Deck Mount Mixing Faucet, Quarter-Turn Eterna Cartridges, 4" Wrist Action Handles, Swivel Gooseneck, 2.2 GPM Laminar Flow Device, Rigid to Swivel Adapter & 1/2" NPSM Male Inlets

Product Compliance:

ASME A112.18.1 / CSA B125.1
NSF 61 - Section 9
NSF 372 (Low Lead Content)
ANSI A117.1 (ADA)



T&S BRASS AND BRONZE WORKS, INC.

2 Saddleback Cove / P.O. Box 1088
Travelers Rest, SC 29690



REG. #A2601
ISO #9001

Model No.

B-0892-CR-HW

Item No.

Travelers Rest, SC: 800-476-4103 Simi Valley, CA: 800-423-0150 Fax: 864-834-3518 www.tsbrass.com

This Space for Architect/Engineer Approval

Job Name _____ Date _____

Model Specified _____ Quantity _____

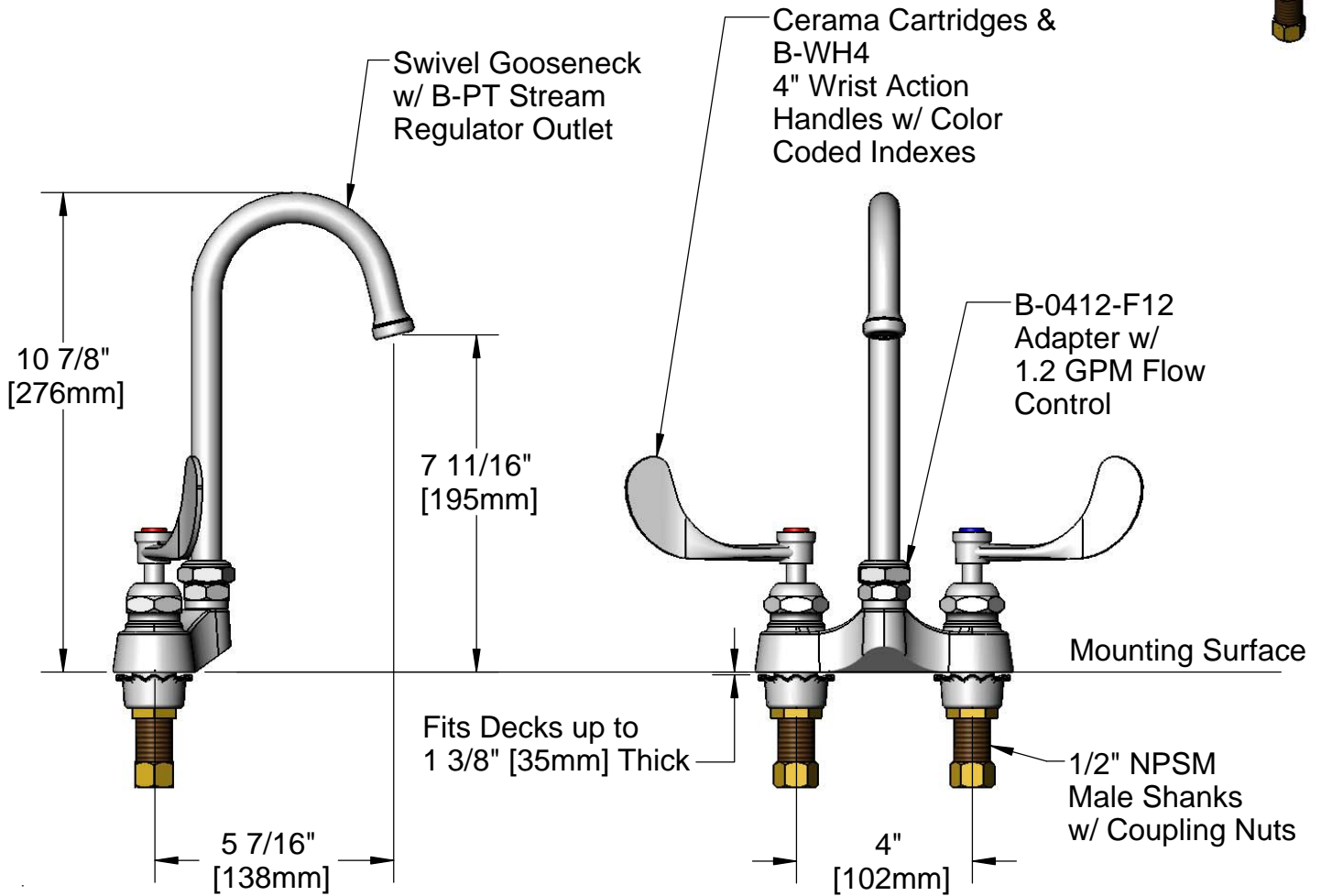
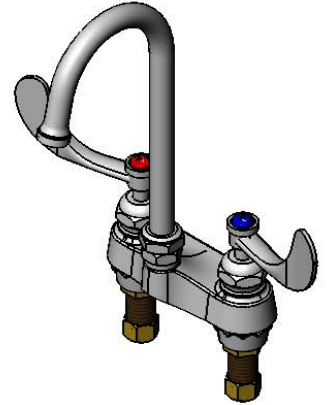
Customer/Wholesaler _____

Contractor _____

Architect/Engineer _____



ADA Compliant



Note: Rough-In Requirement
(2) ϕ 1 1/8" [29mm] Mounting Holes

Product Specifications:

4" Centerset Mixing Faucet, 1/2" NPSM Male Shanks, Cerama Cartridges, 4" Wrist Action Handles, Swivel Gooseneck, Stream Regulator Outlet, & 1.2 GPM Flow Control

Drawn KJG	Checked DMH	Approved JHB
Scale: 1:4		Date: 10/06/11



T&S BRASS AND BRONZE WORKS, INC.

2 Saddleback Cove / P.O. Box 1088
Travelers Rest, SC 29690



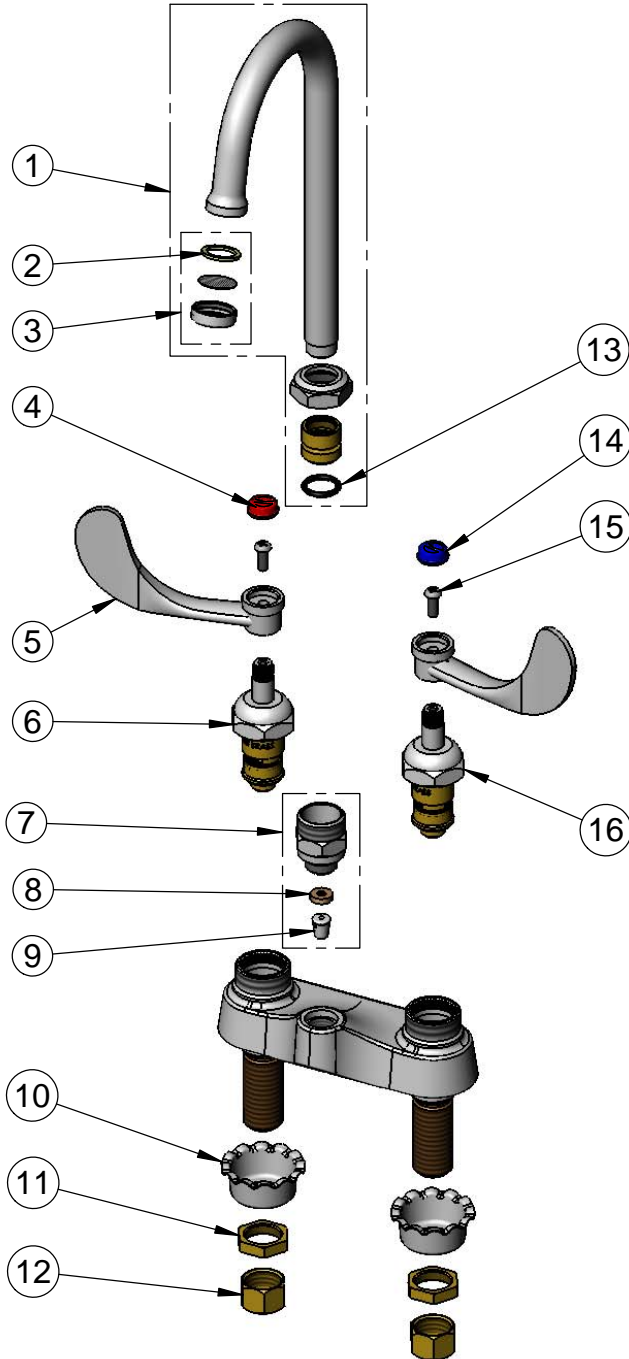
REG. #A2601
ISO #9001

Model No.

B-0892-CR-HW

Item No.

Travelers Rest, SC: 800-476-4103 Simi Valley, CA: 800-423-0150 Fax: 864-834-3518 www.tsbrass.com



ITEM NO.	SALES NO.	DESCRIPTION
1	018176-40	Swivel Gooseneck w/ B-PT
2	001048-45	Nozzle Tip Washer
3	B-PT	Stream Regulator Outlet
4	001194-45	Red HW Index
5	B-WH4	4" Wrist Action Handle
6	011278-25	Cerama Cartridge, (RTC)
7	B-0412-F12	Adapter, Rigid-to-Swivel w/ 1.2 GPM Flow Control
8	009069-45	Flow Control Holder
9	001643-45	1.2 GPM Flow Tower
10	001000-45	Rosette Washer
11	002954-45	Shank Lock Nut
12	000958-20	Coupling Nut
13	001074-45	O-Ring
14	001686-45	Blue CW Index
15	000925-45	Lab Handle Screw
16	011279-25	Cerama Cartridge, (LTC)

Product Specifications:

4" Centerset Mixing Faucet, 1/2" NPSM Male Shanks, Cerama Cartridges, 4" Wrist Action Handles, Swivel Gooseneck, Stream Regulator Outlet, & 1.2 GPM Flow Control

Drawn KJG	Checked DMH	Approved JHB
Scale: NTS		Date: 10/06/11



T&S BRASS AND BRONZE WORKS, INC.

2 Saddleback Cove / P.O. Box 1088
Travelers Rest, SC 29690

Model No.

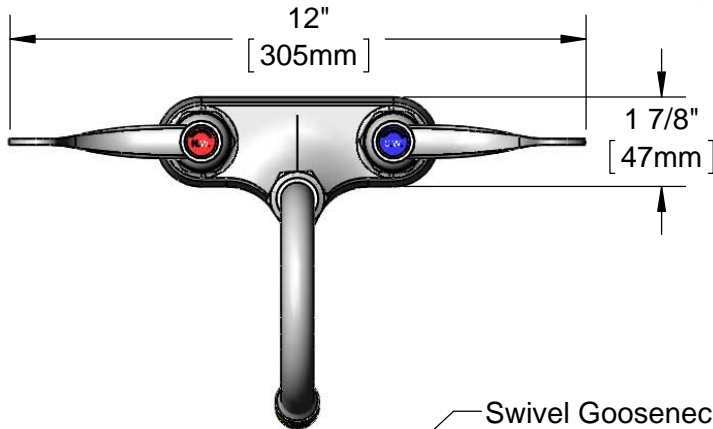
B-0892-QT-F05

Item No.

Travelers Rest, SC: 800-476-4103 • Simi Valley, CA: 800-423-0150 • Fax: 864-834-3518 • www.tsbrass.com



ADA Compliant



This Space for Architect/Engineer Approval

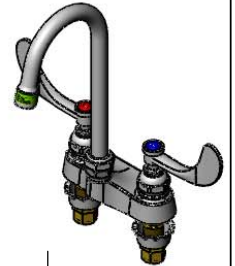
Job Name _____ Date _____

Model Specified _____ Quantity _____

Customer/Wholesaler _____

Contractor _____

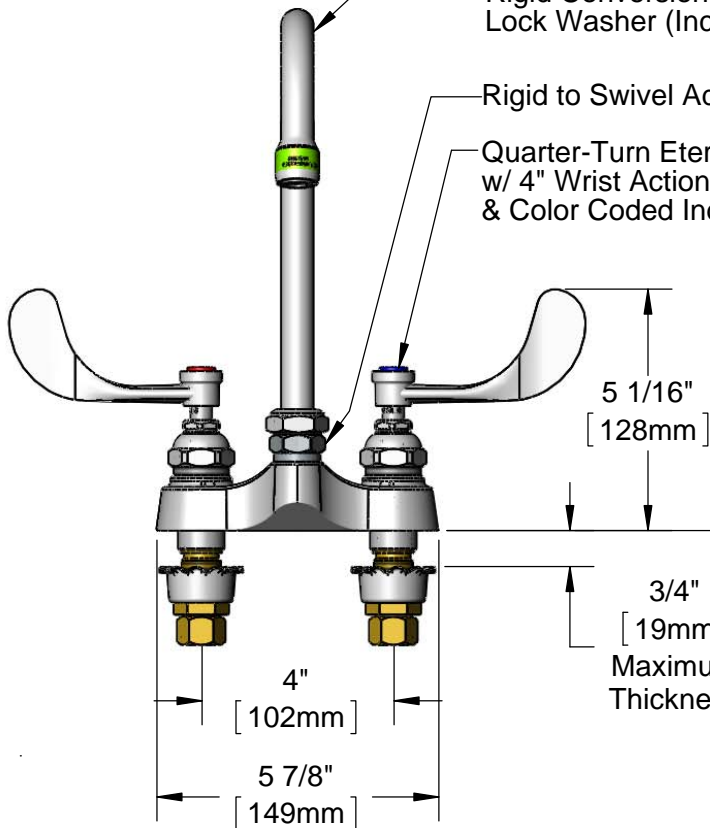
Architect/Engineer _____



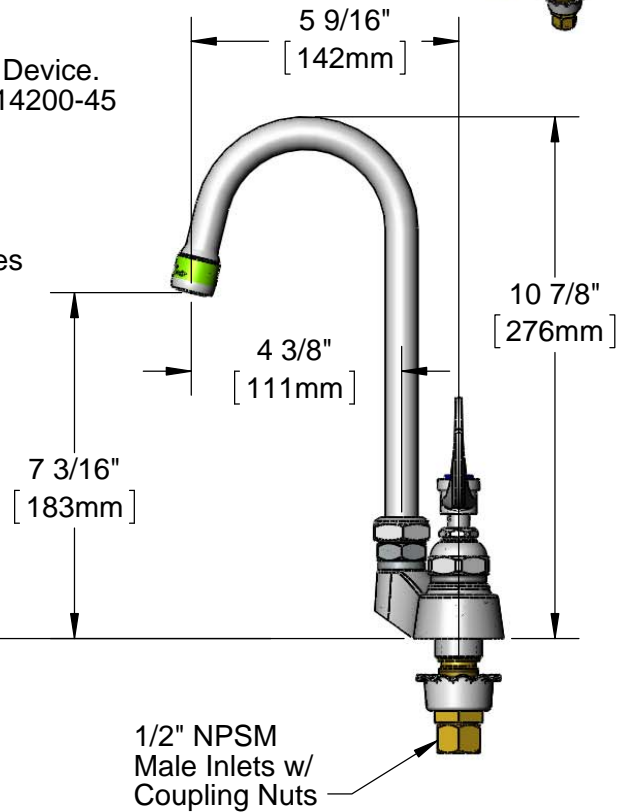
Swivel Gooseneck w/
B-0199-01-N05
0.5 GPM Non-Aerated Spray Device.
Rigid Conversion Requires 014200-45
Lock Washer (Included)

Rigid to Swivel Adapter

Quarter-Turn Eterna Cartridges
w/ 4" Wrist Action Handles
& Color Coded Indexes



Mounting
Surface



1/2" NPSM
Male Inlets w/
Coupling Nuts

Rough-In Requirement:
(2) ϕ 1 1/8" [29mm] Mounting Holes

Product Specifications:
4" Centerset Deck Mount Mixing Faucet, Quarter-Turn Eterna Cartridges,
4" Wrist Action Handles, Swivel Gooseneck, 0.5 GPM Non-Aerated Spray
Device, Rigid to Swivel Adapter & 1/2" NPSM Male Inlets

Product Compliance:
ASME A112.18.1 / CSA B125.1
NSF 61 - Section 9
NSF 372 (Low Lead Content)
ANSI A117.1 (ADA)

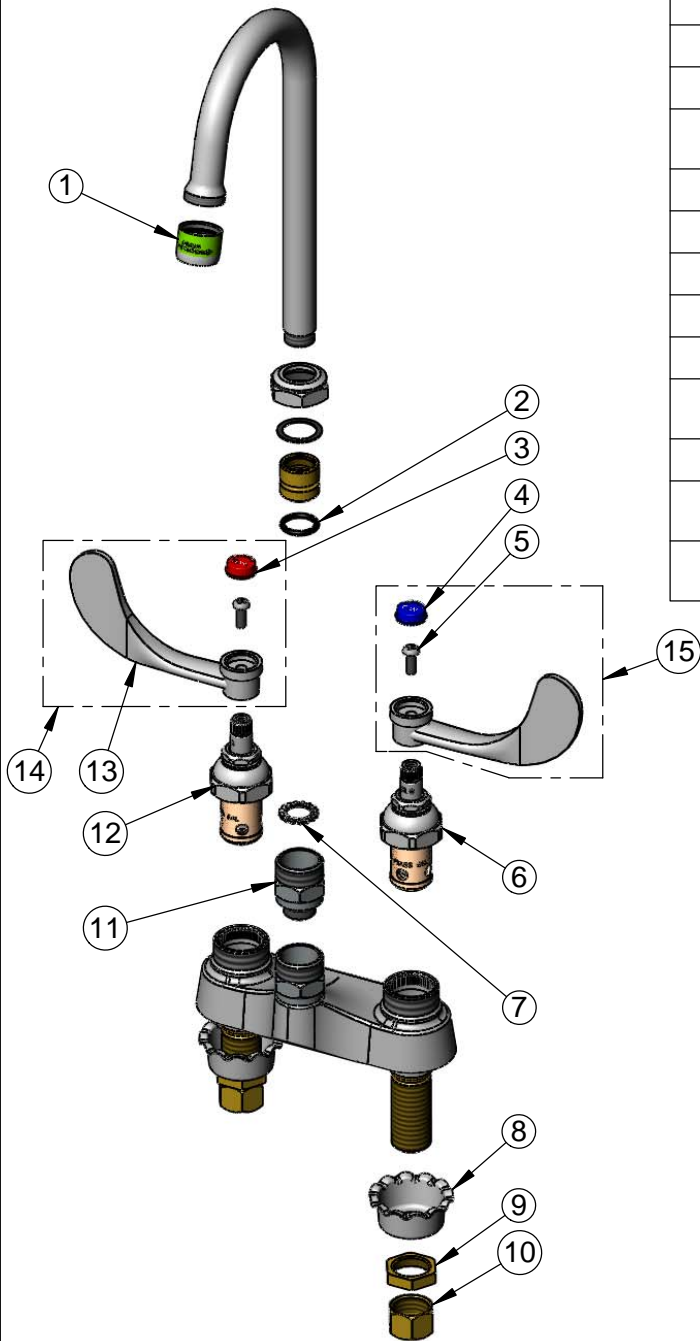


T&S BRASS AND BRONZE WORKS, INC.
 2 Saddleback Cove / P.O. Box 1088
 Travelers Rest, SC 29690

Model No.
B-0892-QT-F05
 Item No.

Travelers Rest, SC: 800-476-4103 • Simi Valley, CA: 800-423-0150 • Fax: 864-834-3518 • www.tsbrass.com

ITEM NO.	SALES NO.	DESCRIPTION
1	B-0199-01-N05	0.5 GPN Non-Aerated Spray Device, 55/64-27 UN Female
2	001074-45	O-Ring
3	001194-45	Red Index - HW
4	001686-45	Blue Index - CW
5	000925-45	Lab Handle Screw
6	006009-40QT	Quarter-Turn Eterna Cartridge, LTC (Teflon)
7	014200-45	Star Washer, Anti-Rotation
8	001000-45	Rosette Washer
9	002954-45	Shank Lock Nut
10	000958-20	Coupling Nut
11	B-0412	Rigid to Swivel Adapter
12	006010-40QT	Quarter-Turn Eterna Cartridge, RTC (Teflon)
13	B-WH4	4" Wrist Action Handle
14	B-WH4H	4" Wrist Action Handle, Screw & Hot Index
15	B-WH4C	4" Wrist Action Handle, Screw & Cold Index



Product Specifications:
 4" Centerset Deck Mount Mixing Faucet, Quarter-Turn Eterna Cartridges, 4" Wrist Action Handles, Swivel Gooseneck, 0.5 GPM Non-Aerated Spray Device, Rigid to Swivel Adapter & 1/2" NPSM Male Inlets

Product Compliance:
 ASME A112.18.1 / CSA B125.1
 NSF 61 - Section 9
 NSF 372 (Low Lead Content)
 ANSI A117.1 (ADA)



T&S BRASS AND BRONZE WORKS, INC.

2 Saddleback Cove / P.O. Box 1088
Travelers Rest, SC 29690

Model No.

B-0892-LF12-CR4

Item No.

Travelers Rest, SC: 800-476-4103 • Simi Valley, CA: 800-423-0150 • Fax: 864-834-3518 • www.tsbrass.com



ADA Compliant

This Space for Architect/Engineer Approval

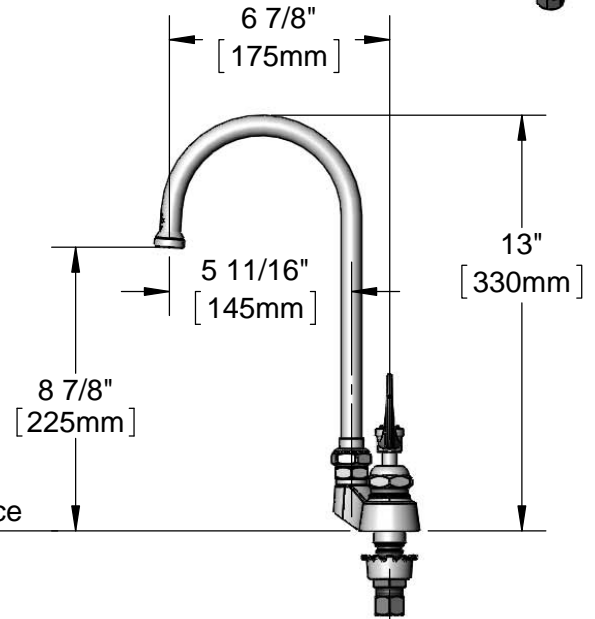
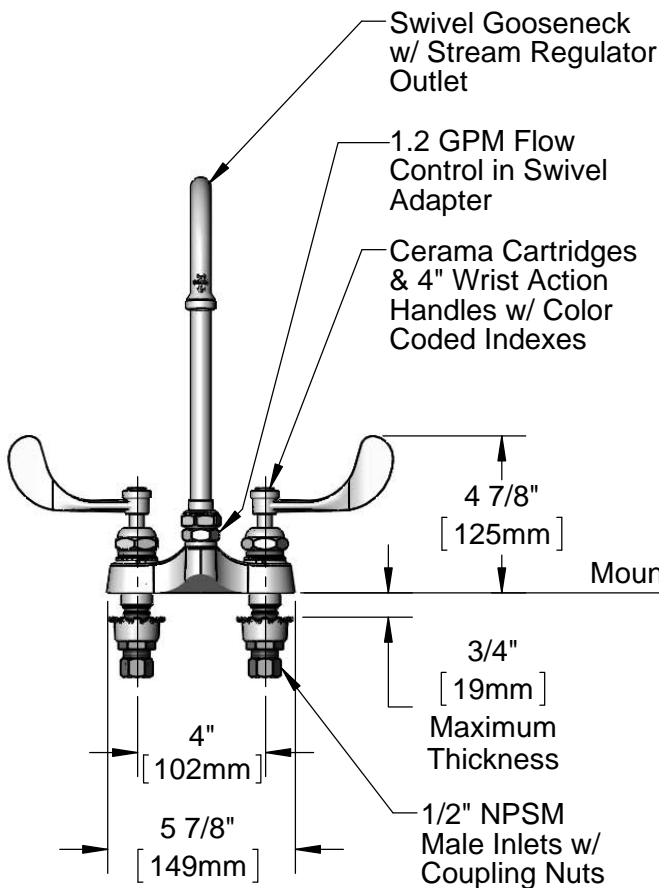
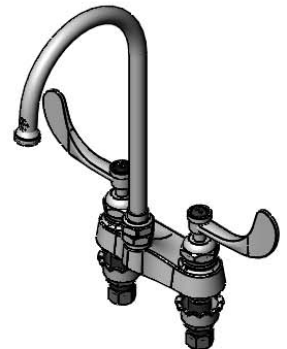
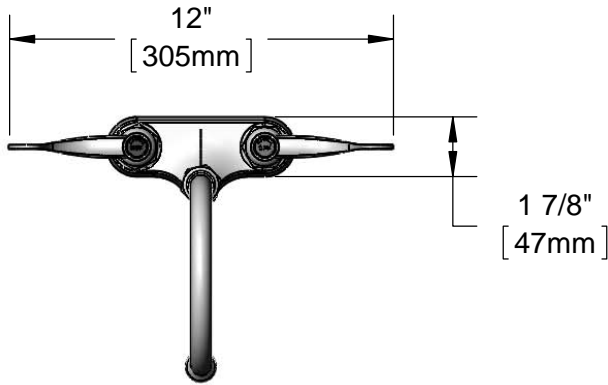
Job Name _____ Date _____

Model Specified _____ Quantity _____

Customer/Wholesaler _____

Contractor _____

Architect/Engineer _____



Rough-in Requirement :
(2) ϕ 1 1/8" [29mm] Mounting Holes

Product Specifications:

4" Centerset Deck Mount Mixing Faucet, Cerama Cartridges, 4" Wrist Action Handles, Swivel Gooseneck w/ Stream Regulator Outlet, 1.2 GPM Flow Control, 1/2" NPSM Male Inlets w/ Coupling Nuts

Product Compliance:

ASME A112.18.1 / CSA B125.1
NSF 61 - Section 9
NSF 372 (Low Lead Content)
ANSI A117.1 (ADA)



T&S BRASS AND BRONZE WORKS, INC.

2 Saddleback Cove / P.O. Box 1088
Travelers Rest, SC 29690

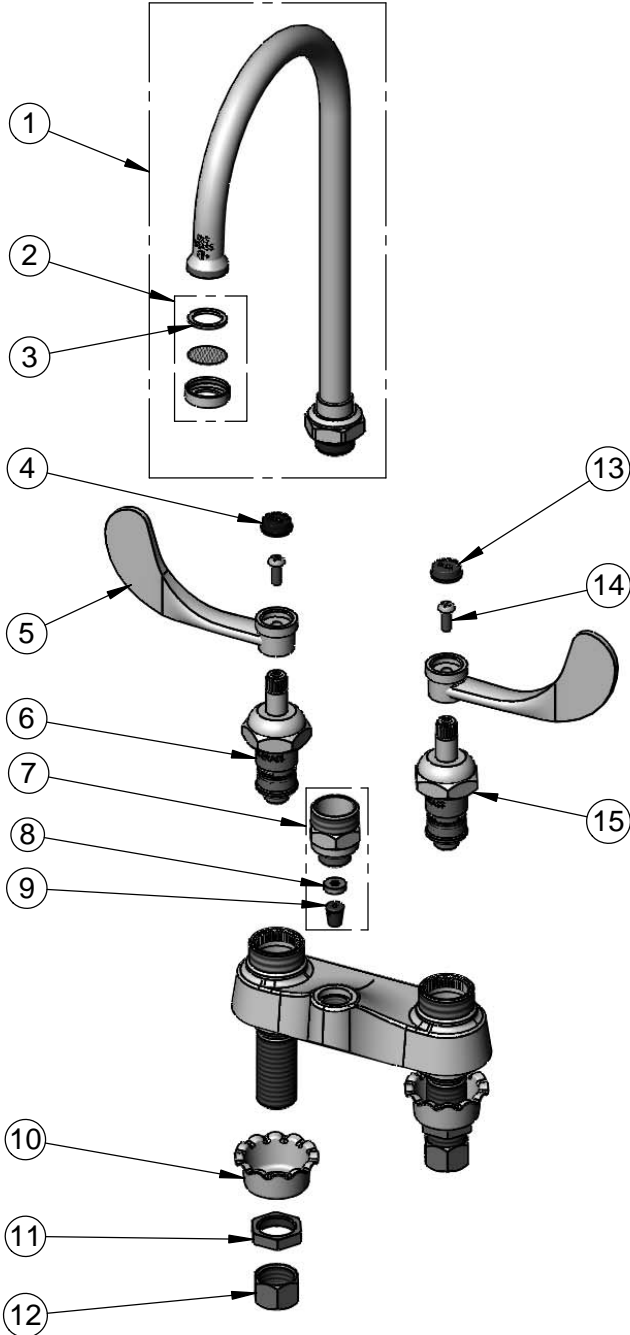
Model No.

B-0892-LF12-CR4

Item No.

Travelers Rest, SC: 800-476-4103 • Simi Valley, CA: 800-423-0150 • Fax: 864-834-3518 • www.tsbrass.com

ITEM NO.	SALES NO.	DESCRIPTION
1	016887-40	Swivel Gooseneck
2	B-PT	Stream Reguator Outlet
3	001048-45	Nozzle Tip Washer
4	001194-45	Red Index - HW
5	B-WH4	4" Wrist Action Handle
6	011278-25	Ceramic Cartridge, RTC
7	B-0412-F12	Adapter, Rigid-to-Swivel w/ 1.2 GPM Flow Control
8	009069-45	Flow Control Holder
9	001643-45	1.2 GPM Flow Control
10	001000-45	Rosette Washer
11	002954-45	Shank Lock Nut
12	000958-20	Coupling Nut
13	001686-45	Blue Index - CW
14	000925-45	Lab Handle Screw
15	011279-25	Ceramic Cartridge, LTC



Product Specifications:

4" Centerset Deck Mount Mixing Faucet, Cerama Cartridges, 4" Wrist Action Handles, Swivel Gooseneck w/ Stream Regulator Outlet, 1.2 GPM Flow Control, 1/2" NPSM Male Inlets w/ Coupling Nuts

Product Compliance:

ASME A112.18.1 / CSA B125.1
NSF 61 - Section 9
NSF 372 (Low Lead Content)
ANSI A117.1 (ADA)



T&S BRASS AND BRONZE WORKS, INC.
 2 Saddleback Cove / P.O. Box 1088
 Travelers Rest, SC 29690

Model No.

B-0892-LN-QT

Item No.

Travelers Rest, SC: 800-476-4103 • Simi Valley, CA: 800-423-0150 • Fax: 864-834-3518 • www.tsbrass.com



ADA Compliant

This Space for Architect/Engineer Approval

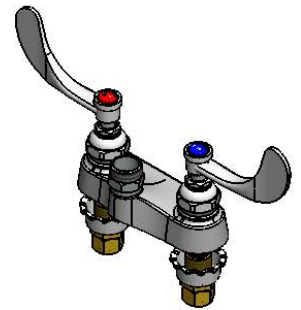
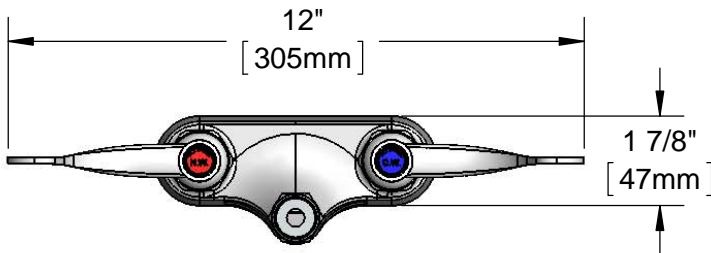
Job Name _____ Date _____

Model Specified _____ Quantity _____

Customer/Wholesaler _____

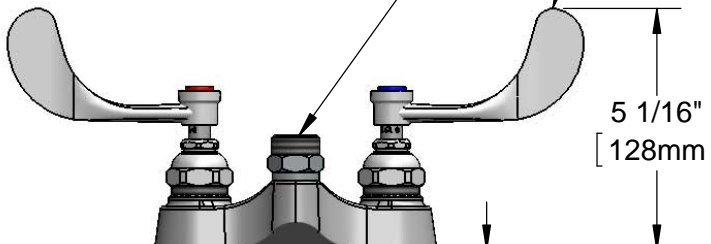
Contractor _____

Architect/Engineer _____



Rigid to Swivel Adapter
 Accepts Standard T&S
 Swing Nozzles

Quarter-Turn Eterna
 Cartridges & 4" Wrist
 Action Handles w/
 Color Coded Indexes



5 1/16"
 [128mm]

Mounting Surface

1 3/16"
 [30mm]

3/4"
 [19mm]
 Maximum
 Thickness

1/2" NPSM
 Male Inlets w/
 Coupling Nuts

4"
 [102mm]

5 7/8"
 [149mm]

Rough-In Requirements:
 (2) \varnothing 1 1/8" [29mm] Mounting Holes

Product Specifications:
 4" Centerset Deck Mount Mixing Faucet, Quarter-Turn Eterna Cartridges,
 4" Wrist Action Handles, Rigid to Swivel Adapter & 1/2" NPSM Male Inlets,
 Less Nozzle

Product Compliance:
 ASME A112.18.1 / CSA B125.1
 NSF 61 - Section 9
 NSF 372 (Low Lead Content)
 ANSI A117.1 (ADA)



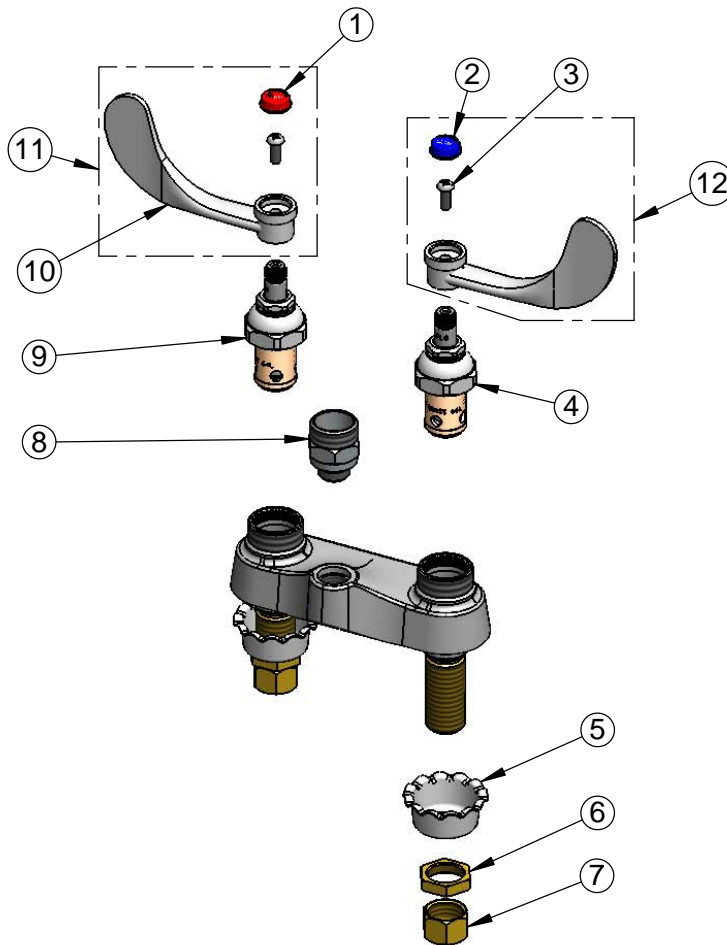
T&S BRASS AND BRONZE WORKS, INC.
 2 Saddleback Cove / P.O. Box 1088
 Travelers Rest, SC 29690

Model No.
B-0892-LN-QT

Item No.

Travelers Rest, SC: 800-476-4103 • Simi Valley, CA: 800-423-0150 • Fax: 864-834-3518 • www.tsbrass.com

ITEM NO.	SALES NO.	DESCRIPTION
1	001194-45	Red Index - HW
2	001686-45	Blue Index - CW
3	000925-45	Lab Handle Screw
4	006009-40QT	Quarter-Turn Eterna Cartridge, LTC (Teflon)
5	001000-45	Rosette Washer
6	002954-45	Shank Lock Nut
7	000958-20	Coupling Nut
8	B-0412	Rigid to Swivel Adapter
9	006010-40QT	Quarter-Turn Eterna Cartridge, RTC (Teflon)
10	B-WH4	4" Wrist Action Handle
11	B-WH4H	4" Wrist Action Handle, Screw & Hot Index
12	B-WH4C	4" Wrist Action Handle, Screw & Cold Index



Product Specifications:

4" Centerset Deck Mount Mixing Faucet, Quarter-Turn Eterna Cartridges, 4" Wrist Action Handles, Rigid to Swivel Adapter & 1/2" NPSM Male Inlets, Less Nozzle

Product Compliance:

ASME A112.18.1 / CSA B125.1
 NSF 61 - Section 9
 NSF 372 (Low Lead Content)
 ANSI A117.1 (ADA)



T&S BRASS AND BRONZE WORKS, INC.

2 Saddleback Cove / P.O. Box 1088
Travelers Rest, SC 29690

Model No.

B-0892-LN

Item No.

Travelers Rest, SC: 800-476-4103 • Simi Valley, CA: 800-423-0150 • Fax: 864-834-3518 • www.tsbrass.com



ADA Compliant

This Space for Architect/Engineer Approval

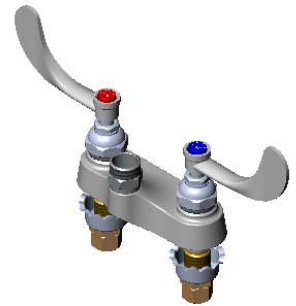
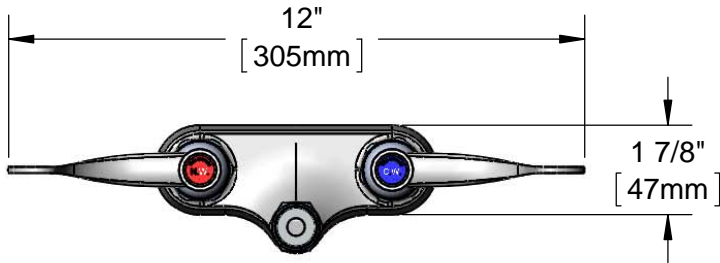
Job Name _____ Date _____

Model Specified _____ Quantity _____

Customer/Wholesaler _____

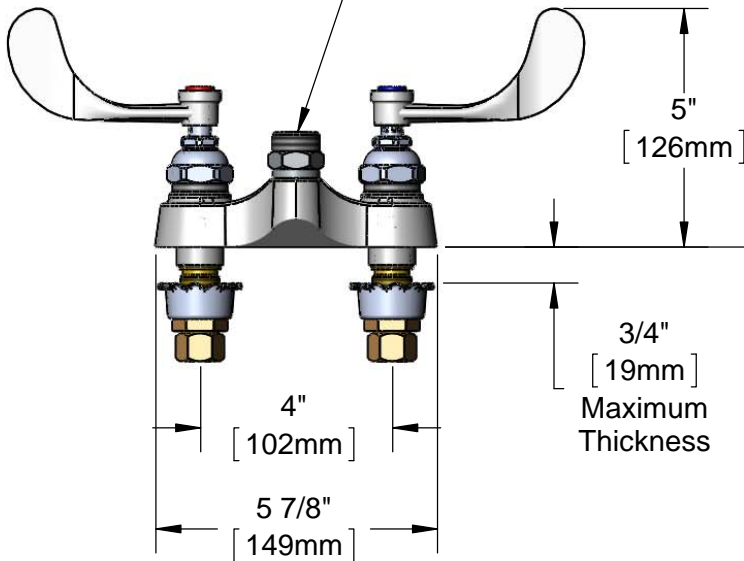
Contractor _____

Architect/Engineer _____

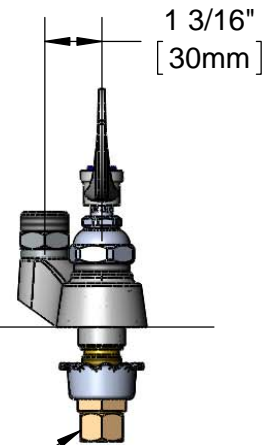


Rigid to Swivel Adapter
Accepts Standard T&S
Swing Nozzles

Eterna Cartridges w/
4" Wrist Action Handles
& Color Coded Indexes



Mounting Surface



1/2" NPSM
Male Inlets w/
Coupling Nuts

Rough-In Requirement:
(2) \varnothing 1 1/8" [29mm] Mounting Holes

Product Specifications:
4" Centerset Deck Mount Mixing Faucet, Eterna Cartridges, 4" Wrist Action
Handles, Rigid to Swivel Adapter & 1/2" NPSM Male Inlets, Less Nozzle

Product Compliance:
ASME A112.18.1 / CSA B125.1
NSF 61 - Section 9
NSF 372 (Low Lead Content)
ANSI A117.1 (ADA)



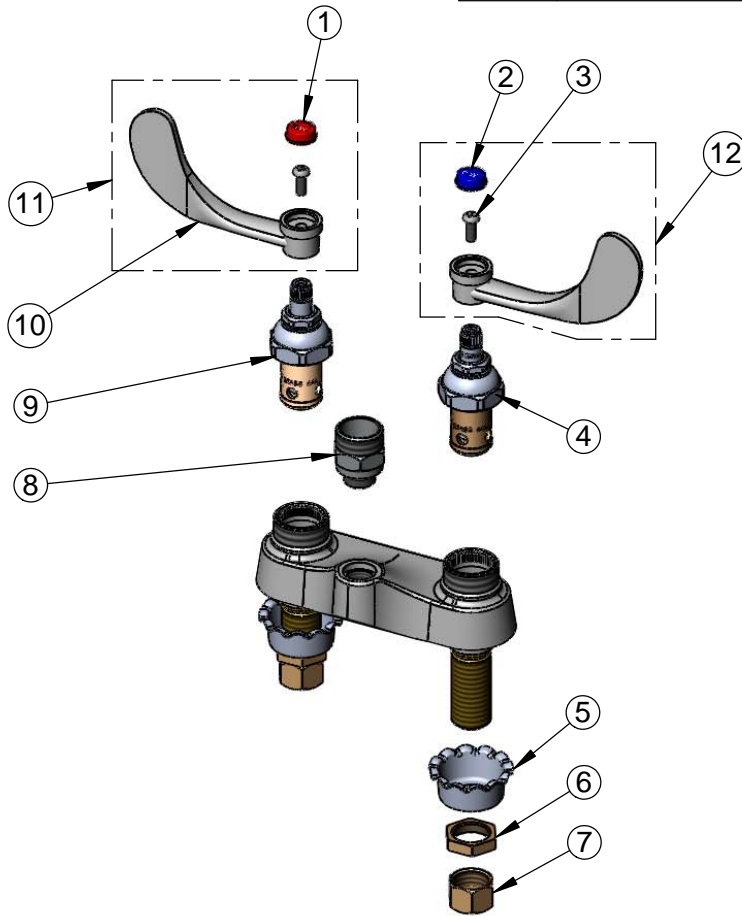
T&S BRASS AND BRONZE WORKS, INC.
 2 Saddleback Cove / P.O. Box 1088
 Travelers Rest, SC 29690

Model No.
B-0892-LN

Item No.

Travelers Rest, SC: 800-476-4103 • Simi Valley, CA: 800-423-0150 • Fax: 864-834-3518 • www.tsbrass.com

ITEM NO.	SALES NO.	DESCRIPTION
1	001194-45	Red Index - HW
2	001686-45	Blue Index - CW
3	000925-45	Lab Handle Screw
4	006009-40	Eterna Cartridge, LTC (Teflon)
5	001000-45	Rosette Washer
6	002954-45	Shank Lock Nut
7	000958-20	Coupling Nut
8	B-0412	Rigid to Swivel Adapter
9	006010-40	Eterna Cartridge, RTC (Teflon)
10	B-WH4	4" Wrist Action Handle
11	B-WH4H	4" Wrist Action Handle, Screw & Hot Index
12	B-WH4C	4" Wrist Action Handle, Screw & Cold Index



Product Specifications:

4" Centerset Deck Mount Mixing Faucet, Eterna Cartridges, 4" Wrist Action Handles, Rigid to Swivel Adapter & 1/2" NPSM Male Inlets, Less Nozzle

Product Compliance:

ASME A112.18.1 / CSA B125.1
 NSF 61 - Section 9
 NSF 372 (Low Lead Content)
 ANSI A117.1 (ADA)



T&S BRASS AND BRONZE WORKS, INC.

2 Saddleback Cove / P.O. Box 1088
Travelers Rest, SC 29690

Model No.

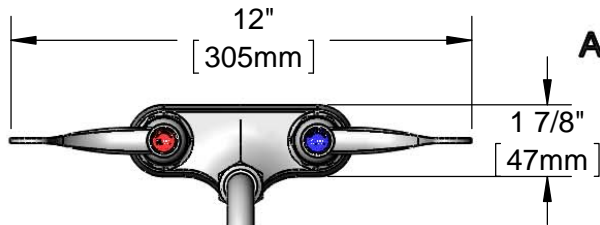
B-0892-QT-LF16

Item No.

Travelers Rest, SC: 800-476-4103 • Simi Valley, CA: 800-423-0150 • Fax: 864-834-3518 • www.tsbrass.com



ADA Compliant



This Space for Architect/Engineer Approval

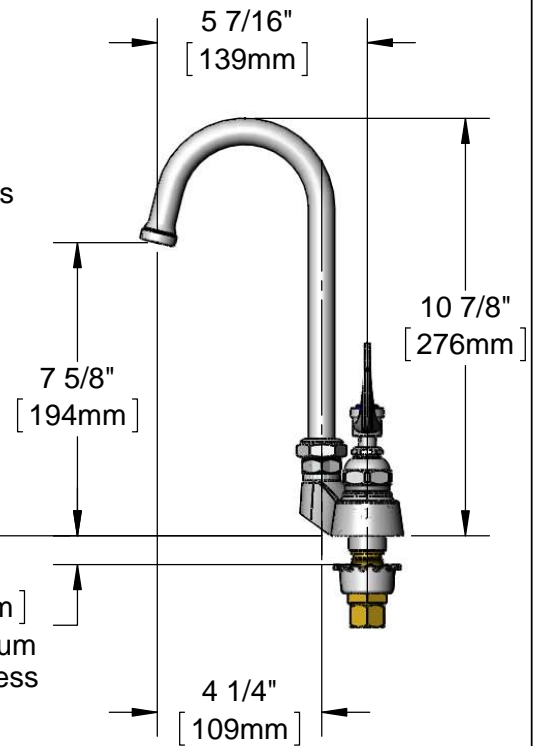
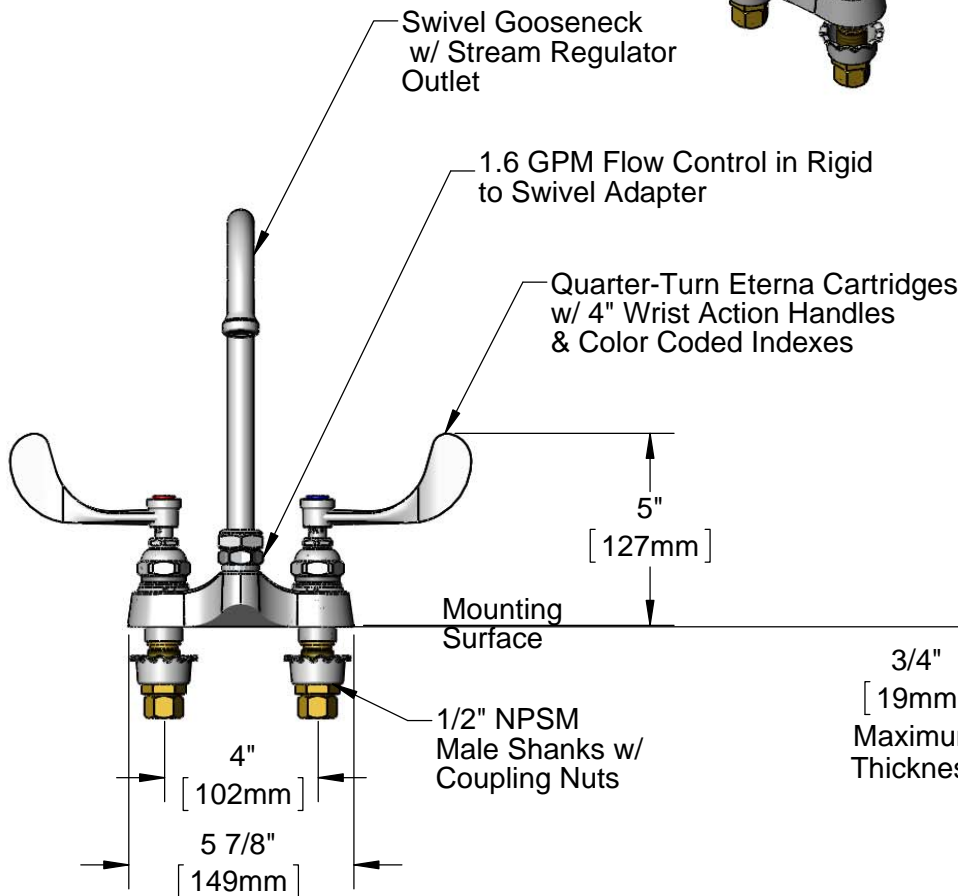
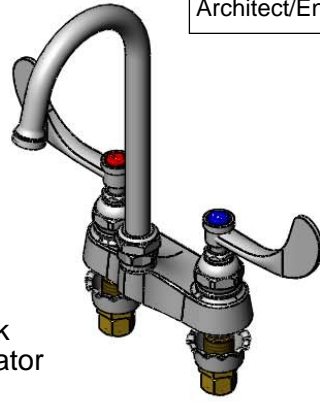
Job Name _____ Date _____

Model Specified _____ Quantity _____

Customer/Wholesaler _____

Contractor _____

Architect/Engineer _____



Rough-in Requirement:
(2) \varnothing 1 1/8" [29mm] Mounting Holes

Product Specifications:

4" Centerset Mixing Faucet, Quarter-Turn Eterna Cartridges, 4" Wrist Action Handles, Swivel Gooseneck, Stream Regulator Outlet, 1.6 GPM Flow Control & 1/2" NPSM Male Inlets

Product Compliance:

ASME A112.18.1 / CSA B125.1
NSF 61 - Section 9
NSF 372 (Low Lead Content)
ANSI A117.1 (ADA)



T&S BRASS AND BRONZE WORKS, INC.

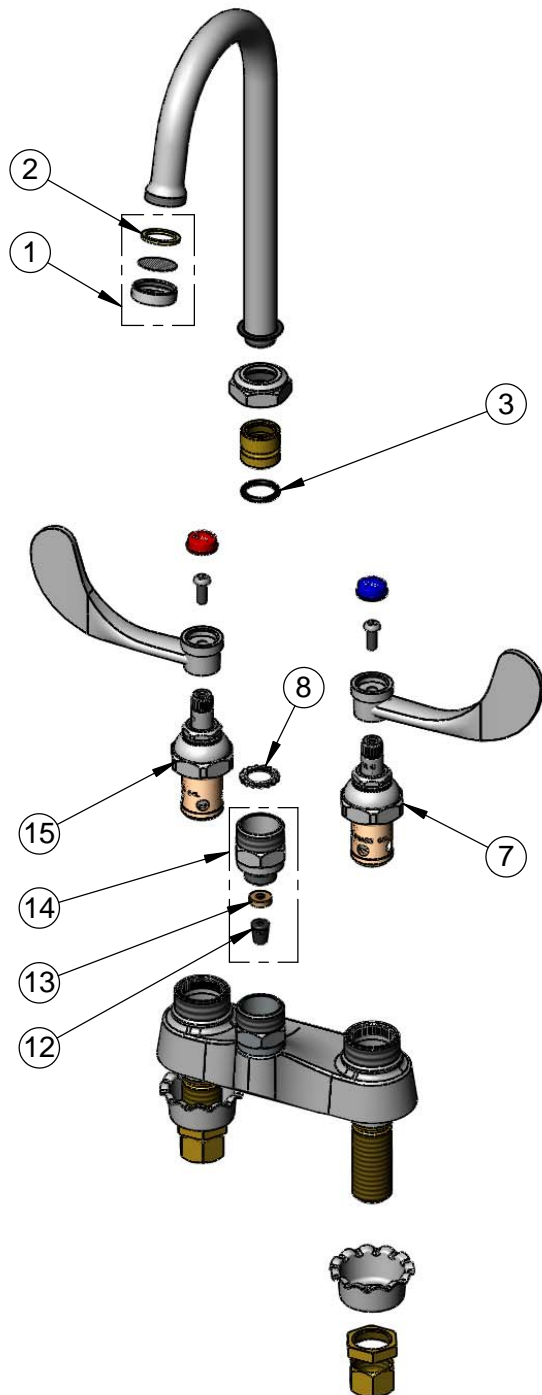
2 Saddleback Cove / P.O. Box 1088
Travelers Rest, SC 29690

Model No.

B-0892-QT-LF16

Item No.

Travelers Rest, SC: 800-476-4103 • Simi Valley, CA: 800-423-0150 • Fax: 864-834-3518 • www.tsbrass.com



ITEM NO.	SALES NO.	DESCRIPTION
2	001048-45	Nozzle Tip Washer
3	001074-45	O-Ring
8	014200-45	Star Washer, Anti-Rotation
12	016232-45	1.6 GPM Flow Control
13	009069-45	Flow Control Holder
14	B-0412-F16	Rigid-to-Swivel Adapter w/ 1.6 GPM Flow Control
15		4" Centered Body
16	Shank, Faucet	Shank, Faucet
17	000789-20	Removable Insert, LH Thread
18	001022-45	Washer
19	009744-25	Cerama Cartridge, RTC
20	002601-45	Washer
21		Seal, Eterna Bonnet Packing
22	000718-25	Nut, Plated Packing
23		LTC Spindle (LH Thread)
24	000933-45	B-1100 Seat Washer Screw
25	001136-45	Seat Washer
26	001466-20	1/4 Turn Sleeve
27	000788-20	Removable Insert, RH Thread
28		RTC Spindle (RH Thread)
29	001000-45	Rosette Washer
30	002954-45	Shank Lock Nut
31	000958-20	Coupling Nut
32	B-WH4	4" Wrist Action Handle
33	001686-45	Blue Index - CW
34	001194-45	Red Index - HW
35	000925-45	Lab Handle Screw
36	001079-45	O-ring, Size -016
37	B-0412	Product Rigid-to-Swivel Adapter

Product Specifications:
4" Centerset Mixing Faucet, Quarter-Turn Eterna Cartridges, 4" Wrist Action Handles, Swivel Gooseneck, Stream Regulator Outlet, 1.6 GPM Flow Control & 1/2" NPSM Male Inlets

ASME A112.18.1 / CSA B125.1
NSF 61 - Section 9
NSF 372 (Low Lead Content)
ANSI A117.1 (ADA)



T&S BRASS AND BRONZE WORKS, INC.

2 Saddleback Cove / P.O. Box 1088
Travelers Rest, SC 29690

Model No.

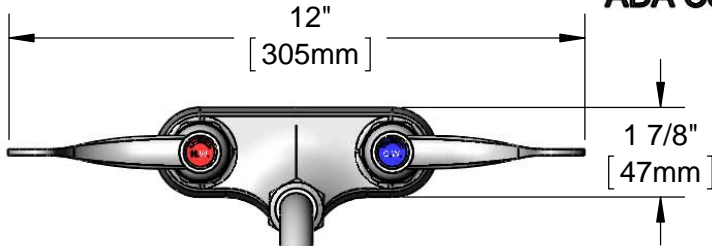
B-0892-QT-VF05

Item No.

Travelers Rest, SC: 800-476-4103 • Simi Valley, CA: 800-423-0150 • Fax: 864-834-3518 • www.tsbrass.com



ADA Compliant



This Space for Architect/Engineer Approval

Job Name _____ Date _____

Model Specified _____ Quantity _____

Customer/Wholesaler _____

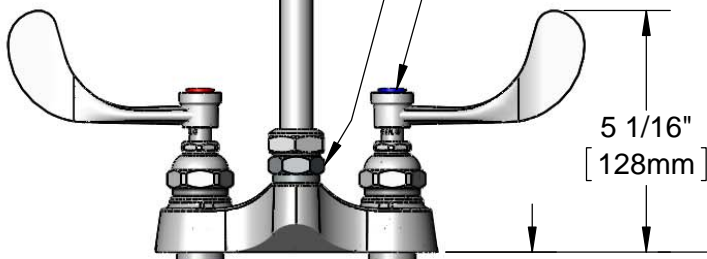
Contractor _____

Architect/Engineer _____

Swivel Gooseneck w/
0.5 GPM Vandal Resistant
Non-Aerated Spray Device.
Rigid Conversion Requires
014200-45 Lock Washer
(Included)

Rigid to Swivel Adapter

Quarter-Turn Eterna Cartridges
& 4" Wrist Action Handles w/
Color Coded Indexes

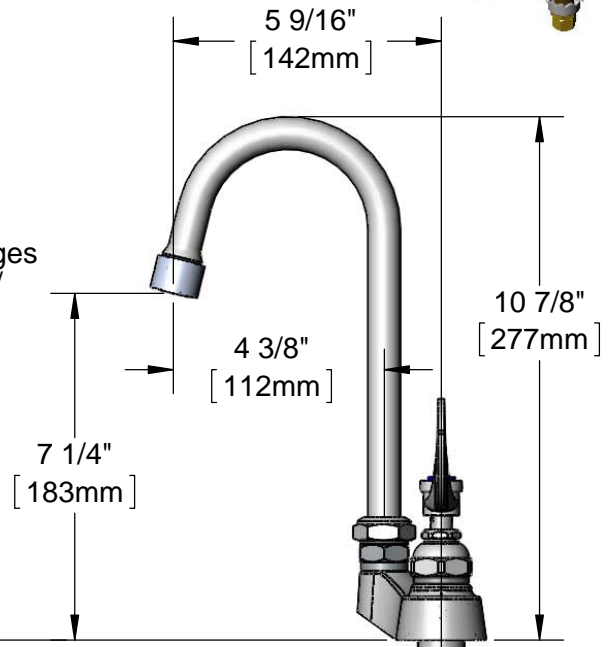


Mounting
Surface

3/4"
[19mm]
Maximum
Thickness

4"
[102mm]

5 7/8"
[149mm]



1/2" NPSM
Male Inlets w/
Coupling Nuts

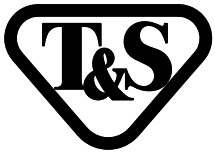
Rough-In Requirement:
(2) ϕ 1 1/8" [29mm] Mounting Holes

Product Specifications:

4" Centerset Deck Mount Mixing Faucet, Quarter-Turn Eterna Cartridges,
4" Wrist Action Handles, Swivel Gooseneck, 0.5 GPM VR Non-Aerated
Spray Device, Rigid to Swivel Adapter & 1/2" NPSM Inlets

Product Compliance:

ASME A112.18.1 / CSA B125.1
NSF 61 - Section 9
NSF 372 (Low Lead Content)
ANSI A117.1 (ADA)



T&S BRASS AND BRONZE WORKS, INC.

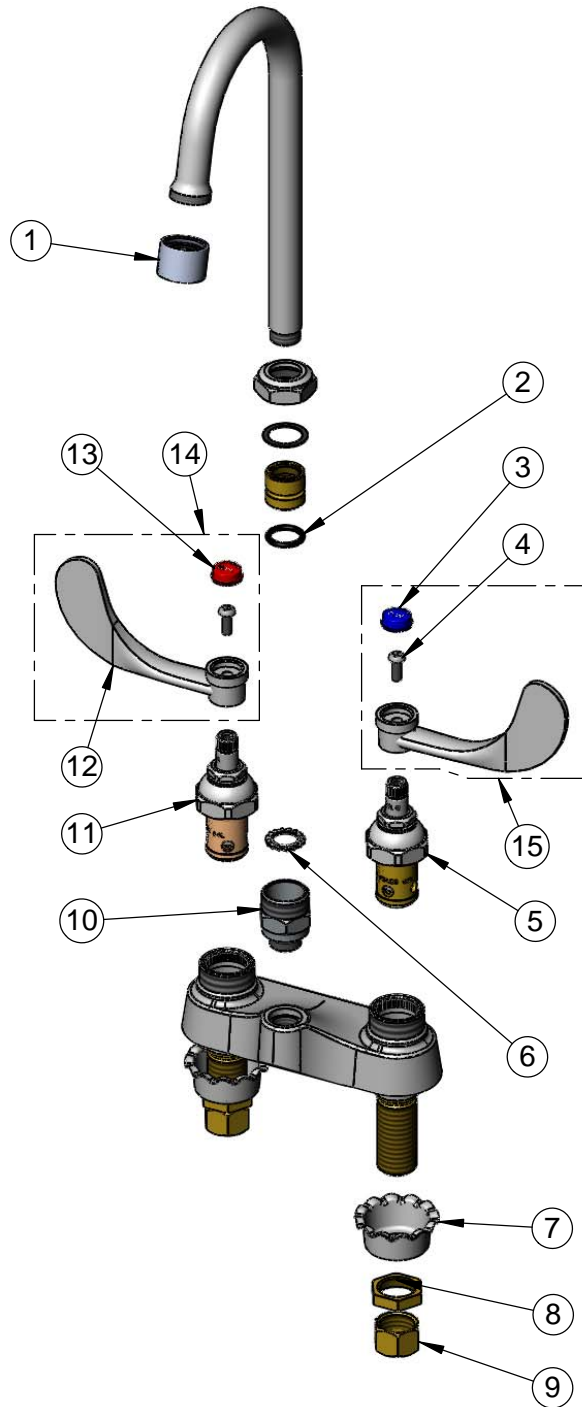
2 Saddleback Cove / P.O. Box 1088
Travelers Rest, SC 29690

Model No.

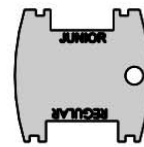
B-0892-QT-VF05

Item No.

Travelers Rest, SC: 800-476-4103 • Simi Valley, CA: 800-423-0150 • Fax: 864-834-3518 • www.tsbrass.com



ITEM NO.	SALES NO.	DESCRIPTION
1	B-0199-06-N05	VR 0.5 GPM Non-Aerated Spray Device, 55/64-27 UN Female w/ Key
2	001074-45	O-Ring
3	001686-45	Blue Index - CW
4	000925-45	Lab Handle Screw
5	006009-40QT	Quarter-Turn Eterna Cartridge, LTC (Teflon)
6	014200-45	Star Washer, Anti-Rotation
7	001000-45	Rosette Washer
8	002954-45	Shank Lock Nut
9	000958-20	Coupling Nut
10	B-0412	Rigid to Swivel Adapter
11	006010-40QT	Quarter-Turn Eterna Cartridge, RTC (Teflon)
12	B-WH4	4" Wrist Action Handle
13	001194-45	Red Index - HW
14	B-WH4H	4" Wrist Action Handle, Screw & Hot Index
15	B-WH4C	4" Wrist Action Handle, Screw & Cold Index



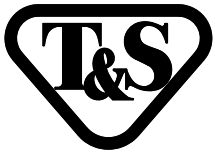
015425-45
Vandal Resistant Key
(Included)

Product Specifications:

4" Centerset Deck Mount Mixing Faucet, Quarter-Turn Eterna Cartridges, 4" Wrist Action Handles, Swivel Gooseneck, 0.5 GPM VR Non-Aerated Spray Device, Rigid to Swivel Adapter & 1/2" NPSM Inlets

Product Compliance:

ASME A112.18.1 / CSA B125.1
NSF 61 - Section 9
NSF 372 (Low Lead Content)
ANSI A117.1 (ADA)



T&S BRASS AND BRONZE WORKS, INC.

2 Saddleback Cove / P.O. Box 1088
Travelers Rest, SC 29690

Model No.

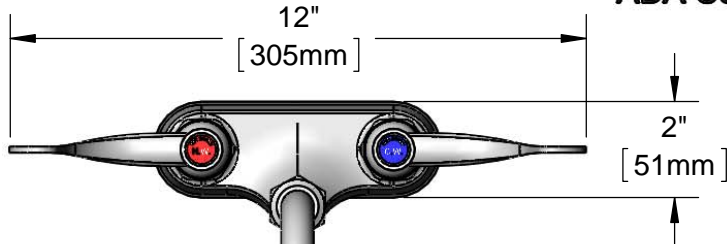
B-0892-QT-VF05G

Item No.

Travelers Rest, SC: 800-476-4103 • Simi Valley, CA: 800-423-0150 • Fax: 864-834-3518 • www.tsbrass.com



ADA Compliant



This Space for Architect/Engineer Approval

Job Name _____ Date _____

Model Specified _____ Quantity _____

Customer/Wholesaler _____

Contractor _____

Architect/Engineer _____

Swivel Gooseneck w/
0.5 GPM Vandal Resistant
Non-Aerated Spray Device.
Rigid Conversion Requires
014200-45 Lock Washer
(Included)

Rigid to Swivel Adapter

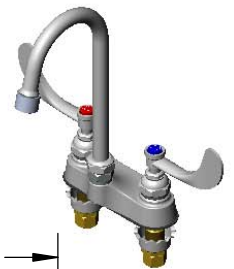
Quarter-Turn Eterna Cartridges
& 4" Wrist Action Handles w/
Color Coded Indexes

Rubber
Gasket

Mounting
Surface

11/16"
[17mm]
Maximum
Thickness

1/2" NPSM
Male Inlets w/
Coupling Nuts



5 5/8"
[142mm]

10 15/16"
[278mm]

4 7/16"
[112mm]

7 5/16"
[185mm]

5 1/8"
[129mm]

4"
[102mm]

6"
[152mm]

Rough-In Requirement:
(2) ϕ 1 1/8" [29mm] Mounting Holes

Product Specifications:

4" Centerset Deck Mount Mixing Faucet, Quarter-Turn Eterna Cartridges, 4" Wrist Action Handles, Swivel Gooseneck, 0.5 GPM VR Non-Aerated Spray Device, Rubber Gasket, Rigid to Swivel Adapter & 1/2" NPSM Male Inlets

Product Compliance:

ASME A112.18.1 / CSA B125.1
NSF 61 - Section 9
NSF 372 (Low Lead Content)
ANSI A117.1 (ADA)



T&S BRASS AND BRONZE WORKS, INC.

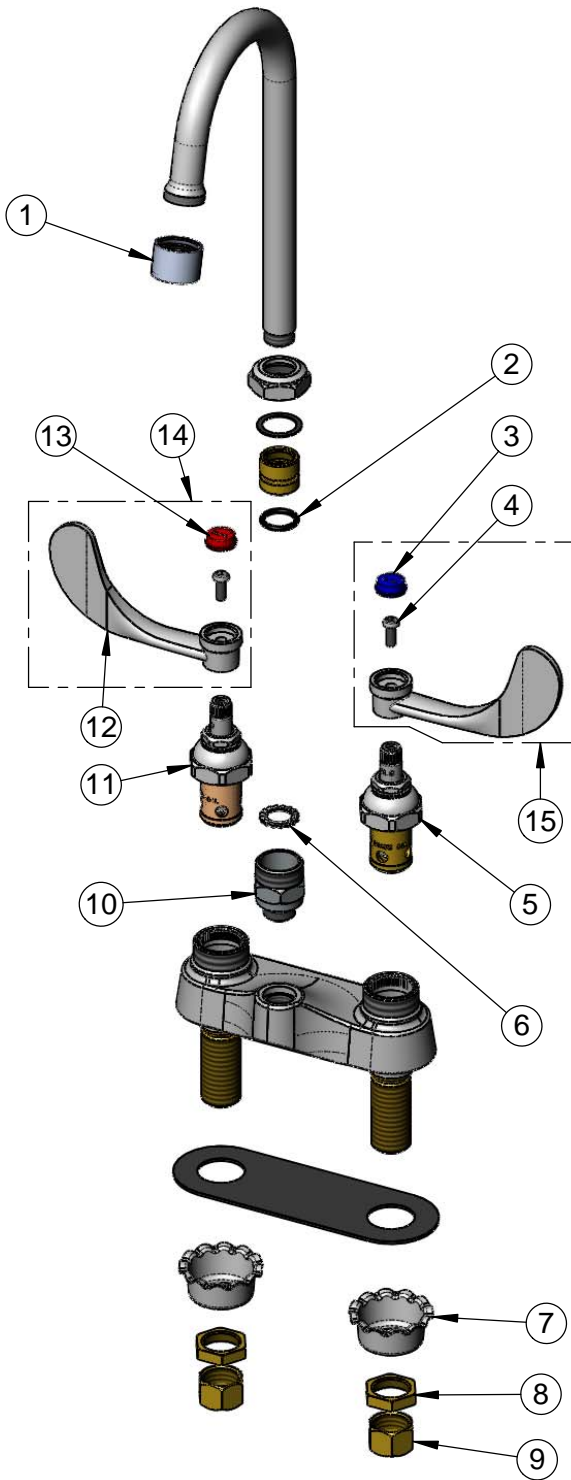
2 Saddleback Cove / P.O. Box 1088
Travelers Rest, SC 29690

Model No.

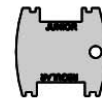
B-0892-QT-VF05G

Item No.

Travelers Rest, SC: 800-476-4103 • Simi Valley, CA: 800-423-0150 • Fax: 864-834-3518 • www.tsbrass.com



ITEM NO.	SALES NO.	DESCRIPTION
1	B-0199-06-N05	VR 0.5 GPM Non-Aerated Spray Device, 55/64-27 UN Female w/ Key
2	001074-45	O-Ring
3	001686-45	Blue Index - CW
4	000925-45	Lab Handle Screw
5	006009-40QT	Quarter-Turn Eterna Cartridge, LTC (Teflon)
6	014200-45	Star Washer, Anti-Rotation
7	001000-45	Rosette Washer
8	002954-45	Shank Lock Nut
9	000958-20	Coupling Nut
10	B-0412	Rigid to Swivel Adapter
11	006010-40QT	Quarter-Turn Eterna Cartridge, RTC (Teflon)
12	B-WH4	4" Wrist Action Handle
13	001194-45	Red Index - HW
14	B-WH4H	4" Wrist Action Handle, Screw & Hot Index
15	B-WH4C	4" Wrist Action Handle, Screw & Cold Index



015425-45
Vandal Resistant Key
(Included)

Product Specifications:

4" Centerset Deck Mount Mixing Faucet, Quarter-Turn Eterna Cartridges, 4" Wrist Action Handles, Swivel Gooseneck, 0.5 GPM VR Non-Aerated Spray Device, Rubber Gasket, Rigid to Swivel Adapter & 1/2" NPSM Male Inlets

Product Compliance:

ASME A112.18.1 / CSA B125.1
NSF 61 - Section 9
NSF 372 (Low Lead Content)
ANSI A117.1 (ADA)



T&S BRASS AND BRONZE WORKS, INC.
 2 Saddleback Cove / P.O. Box 1088
 Travelers Rest, SC 29690

Model No.

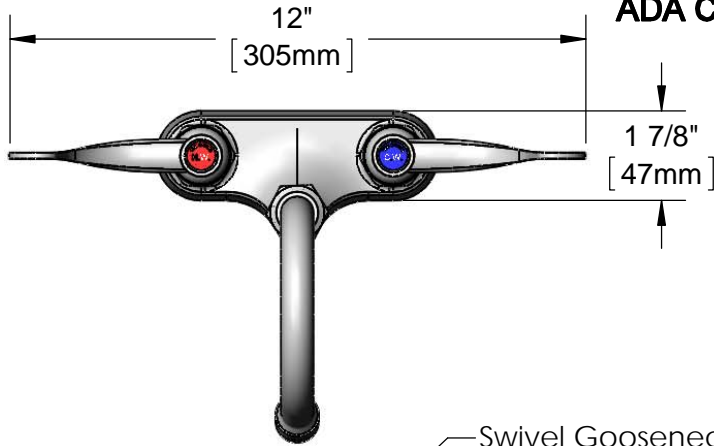
B-0892-QT-WS

Item No.

Travelers Rest, SC: 800-476-4103 • Simi Valley, CA: 800-423-0150 • Fax: 864-834-3518 • www.tsbrass.com



ADA Compliant



This Space for Architect/Engineer Approval

Job Name _____ Date _____

Model Specified _____ Quantity _____

Customer/Wholesaler _____

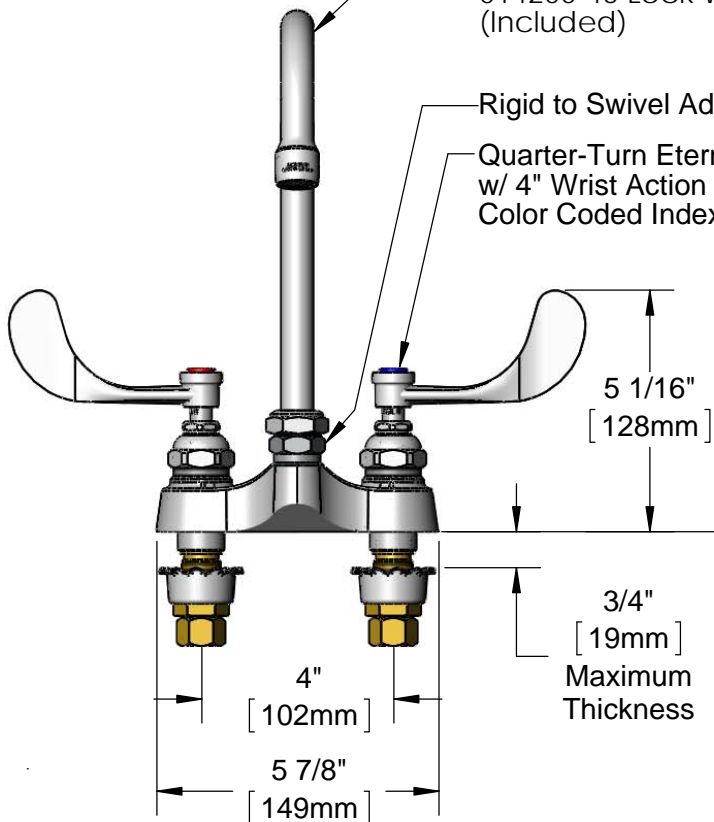
Contractor _____

Architect/Engineer _____

Swivel Gooseneck w/
1.5 GPM Aerator.
Rigid Conversion Requires
014200-45 Lock Washer
(Included)

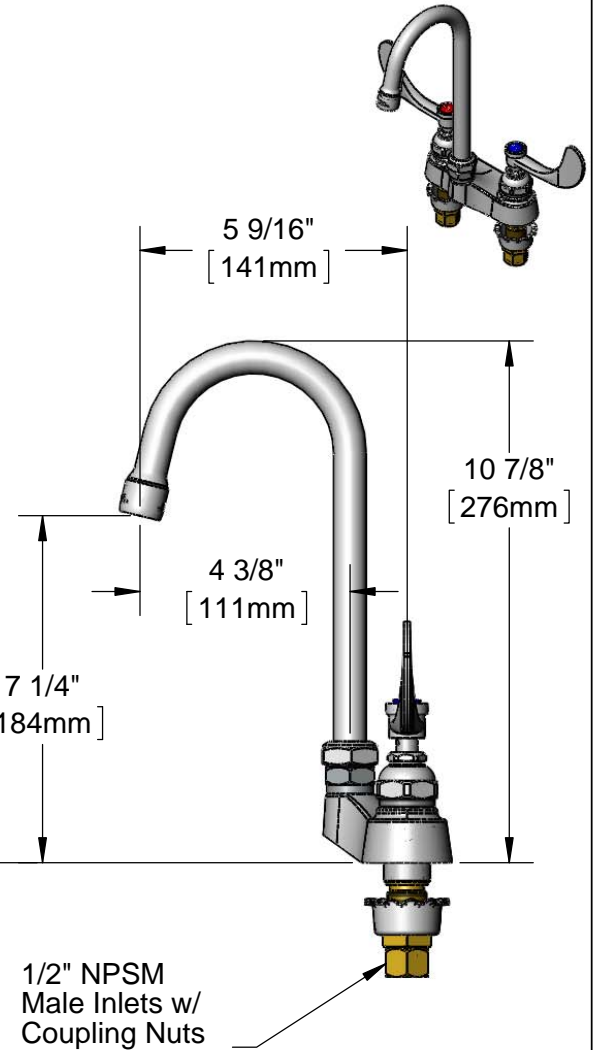
Rigid to Swivel Adapter

Quarter-Turn Eterna Cartridges
w/ 4" Wrist Action Handles &
Color Coded Indexes



Mounting
Surface

3/4"
[19mm]
Maximum
Thickness



1/2" NPSM
Male Inlets w/
Coupling Nuts

Rough-in Requirement:
(2) ϕ 1 1/8" [29mm] Mounting Holes

Product Specifications:

4" Centerset Deck Mount Mixing Faucet, Quarter-Turn Cartridges, 4" Wrist Action Handles, Swivel Gooseneck, 1.5 GPM Aerator, Rigid to Swivel Adapter & 1/2" NPSM Male Inlets

Product Compliance:

ASME A112.18.1 / CSA B125.1
NSF 61 - Section 9
NSF 372 (Low Lead Content)
ANSI A117.1 (ADA)



T&S BRASS AND BRONZE WORKS, INC.

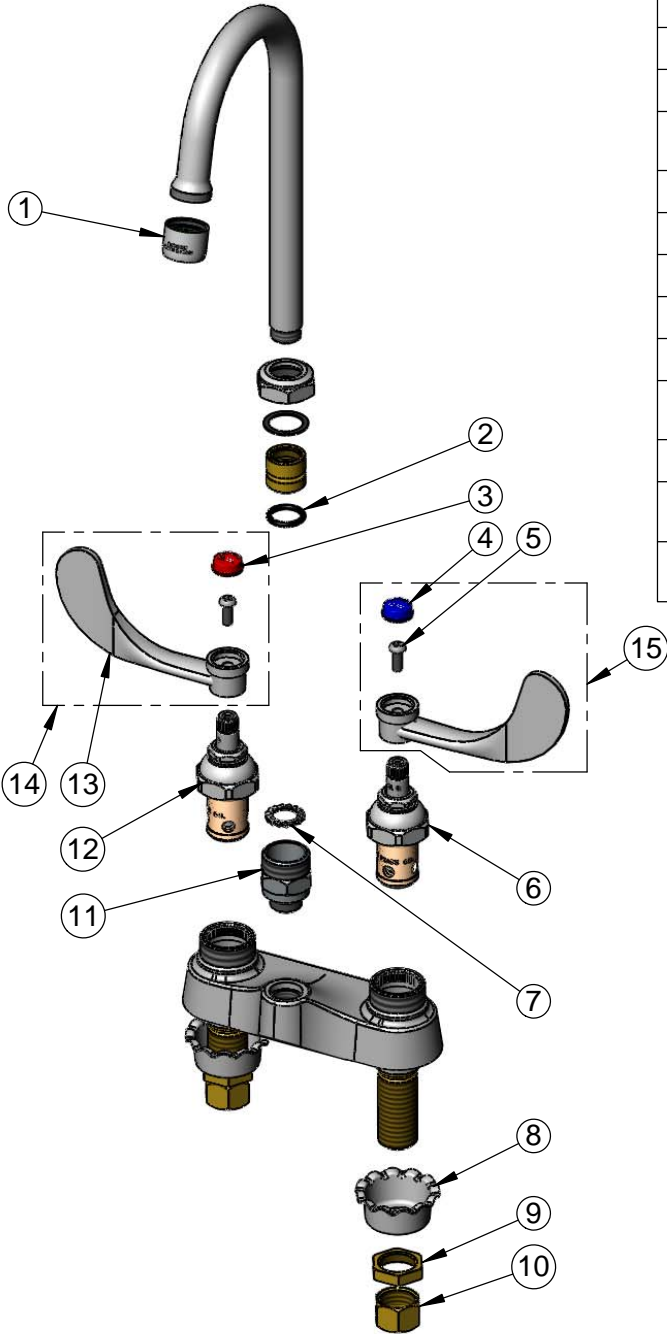
2 Saddleback Cove / P.O. Box 1088
Travelers Rest, SC 29690

Model No.

B-0892-QT-WS

Item No.

Travelers Rest, SC: 800-476-4103 • Simi Valley, CA: 800-423-0150 • Fax: 864-834-3518 • www.tsbrass.com



ITEM NO.	SALES NO.	DESCRIPTION
1	B-0199-01-WS	1.5 GPM Aerator, 55/64-27 UN Female
2	001074-45	O-Ring
3	001194-45	Red Index - HW
4	001686-45	Blue Index - CW
5	000925-45	Lab Handle Screw
6	006009-40QT	Quarter-Turn Eterna Cartridge, LTC (Teflon)
7	014200-45	Star Washer, Anti-Rotation
8	001000-45	Rosette Washer
9	002954-45	Shank Lock Nut
10	000958-20	Coupling Nut
11	B-0412	Rigid to Swivel Adapter
12	006010-40QT	Quarter-Turn Eterna Cartridge, RTC (Teflon)
13	B-WH4	4" Wrist Action Handle
14	B-WH4H	4" Wrist Action Handle, Screw & Hot Index
15	B-WH4C	4" Wrist Action Handle, Screw & Cold Index

Product Specifications:

4" Centerset Deck Mount Mixing Faucet, Quarter-Turn Cartridges, 4" Wrist Action Handles, Swivel Gooseneck, 1.5 GPM Aerator, Rigid to Swivel Adapter & 1/2" NPSM Male Inlets

Product Compliance:

ASME A112.18.1 / CSA B125.1
NSF 61 - Section 9
NSF 372 (Low Lead Content)
ANSI A117.1 (ADA)