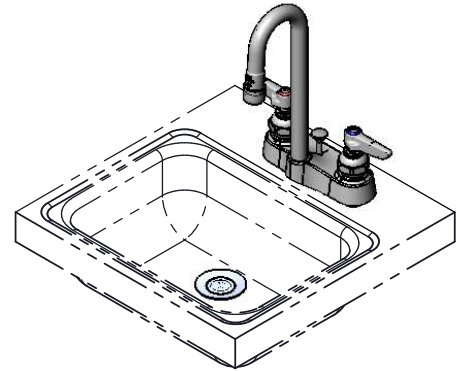
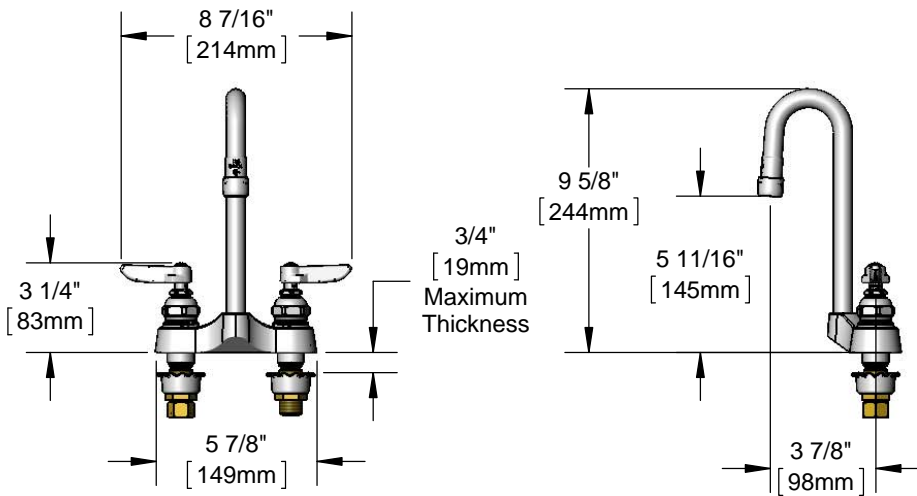




Architect/Engineering Specifications:

4" centerset deck mount mixing faucet with polished chrome plated brass body, rigid gooseneck, 2.2 GPM aerator, compression cartridges, lever handles, pop up drain and 1/2" NPSM male inlets with coupling nuts. Certified to ASME A112.18.1/CSA B125.1, NSF 61-Section 9 and NSF 372. Meets ADA ANSI/ICC A117.1 requirements.

Job Name _____
 Model Specified _____ Quantity _____
 Variations Specified _____
 Date _____



Features & Benefits:

- 4" centerset deck mount lavatory faucet with polished chrome plated brass cast body
- 2 11/16" Rigid gooseneck w/ 2.2 GPM aerator, Series 2 (B-0199-02)
- Eterna compression cartridges
- Lever handles with color coded indexes
- 1/2" NPSM male inlets with coupling nuts
- Pop-up drain
- Material: Polished chrome plated brass cast body & chrome plated metal handles

Product Compliance:

- ASME A112.18.1 / CSA B125.1
- NSF 61 - Section 9
- NSF 372 (Low Lead Content)
- ANSI A117.1 (ADA)

Warranty: One Year (Limited)

Performance Data:

- Pressure: 20 - 125 psi
- Temperature: 40 °F - 140 °F
- Flow Rate: 2.20 GPM @ 60 psi



ADA Compliant

Optional Outlets (Series 2 / VR Series 7)

GPM	Aerated	Non-Aerated (Laminar)	VR Aerated	VR Non-Aerated (VR Laminar)
0.35	N/A	<input type="checkbox"/> B-0199-02-N035	N/A	<input type="checkbox"/> B-0199-07-N035
0.5	N/A	<input type="checkbox"/> B-0199-02-N05	N/A	<input type="checkbox"/> B-0199-07-N05
1.0	<input type="checkbox"/> B-0199-02-F10	N/A	<input type="checkbox"/> B-0199-07-F10	N/A
1.5	<input type="checkbox"/> B-0199-02-WS	N/A	<input type="checkbox"/> B-0199-07-WS	N/A
2.2	Standard	N/A	<input type="checkbox"/> B-0199-07	N/A

Optional Handles

- 4" Wrist Action
- 4-Arm
- Lever (Standard)

Optional Cartridges

- Quarter Turn Cerama
- Eterna (Standard)
- Quarter Turn Eterna
- Metering

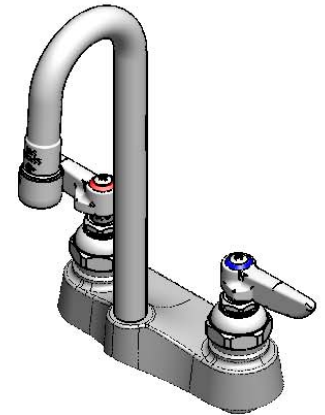
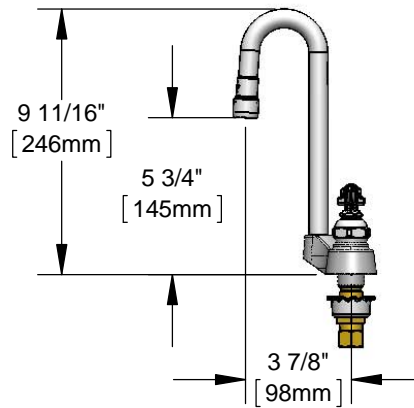
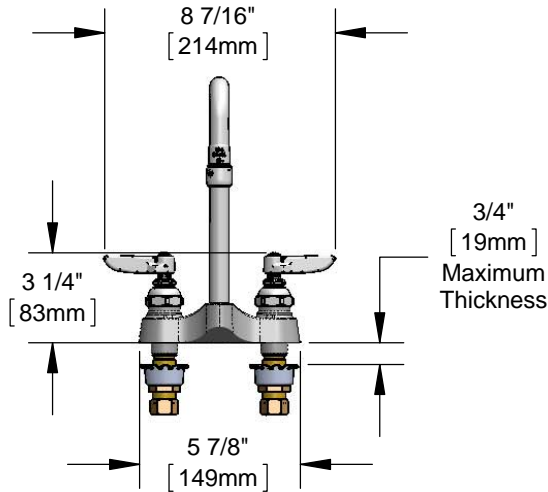




Architect/Engineering Specifications:

4" centerset deck mount mixing faucet with polished chrome plated brass body, rigid gooseneck, 2.2 GPM aerator, compression cartridges, lever handles and 1/2" NPSM male inlets. Certified to ASME A112.18.1/CSA B125.1, NSF 61-Section 9 and NSF 372. Meets ADA ANSI/ICC A117.1 requirements.

Job Name _____
Model Specified _____ Quantity _____
Variations Specified _____
Date _____



Features & Benefits:

- 4" centerset deck mount mixing faucet w/ polished chrome plated brass body
- 2 11/16" Rigid gooseneck
- 2.2 GPM aerator, Series 2 (B-0199-02)
- Eterna compression cartridges
- Lever handles with color coded indexes
- 1/2" NPSM male inlets with coupling nuts
- Material: polished chrome plated brass cast body & tubular spout and chrome plated metal handles

Product Compliance:

- ASME A112.18.1 / CSA B125.1
- NSF 61 - Section 9
- NSF 372 (Low Lead Content)
- ANSI A117.1 (ADA)



Warranty: One Year (Limited)

Performance Data:

- Pressure: 20 - 125 psi
- Temperature: 40°F - 140°F
- Flow Rate: 2.20 GPM @ 60 psi



Optional Outlets (Series 2 / VR Series 7)

GPM	Aerated	Non-Aerated (Laminar)	VR Aerated	VR Non-Aerated (VR Laminar)	Optional Handles	Optional Cartridges
0.35	N/A	<input type="checkbox"/> B-0199-02-N035	N/A	<input type="checkbox"/> B-0199-07-N035	<input type="checkbox"/> 4" Wrist Action	<input type="checkbox"/> Quarter Turn Cerama
0.5	N/A	<input type="checkbox"/> B-0199-02-N05	N/A	<input type="checkbox"/> B-0199-07-N05	<input type="checkbox"/> Lever (Standard)	<input type="checkbox"/> Eterna (Standard)
1.0	<input type="checkbox"/> B-0199-02-F10	N/A	<input type="checkbox"/> B-0199-07-F10	N/A	<input type="checkbox"/> 4-Arm	<input type="checkbox"/> Quarter Turn Eterna
1.5	<input type="checkbox"/> B-0199-02-WS	N/A	<input type="checkbox"/> B-0199-07-WS	N/A		<input type="checkbox"/> Push Button Metering
2.2	Standard	N/A	<input type="checkbox"/> B-0199-07	N/A		<input type="checkbox"/> Pivot Action Metering
						<input type="checkbox"/> Wrist Action Metering

