



T&S BRASS AND BRONZE WORKS, INC.

2 Saddleback Cove / P.O. Box 1088
Travelers Rest, SC 29690

Model No.

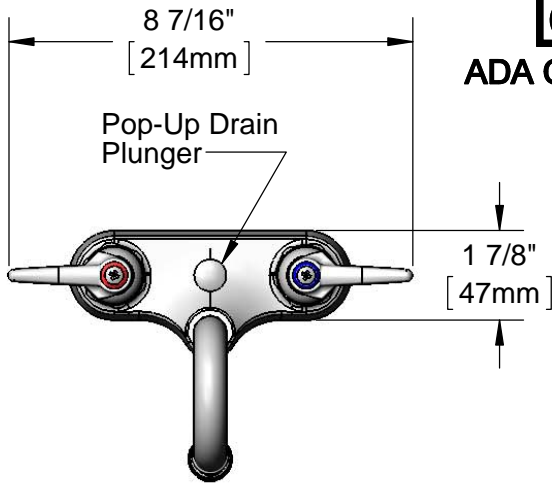
B-0873

Item No.

Travelers Rest, SC: 800-476-4103 • Simi Valley, CA: 800-423-0150 • Fax: 864-834-3518 • www.tsbrass.com



ADA Compliant



This Space for Architect/Engineer Approval

Job Name _____ Date _____

Model Specified _____ Quantity _____

Customer/Wholesaler _____

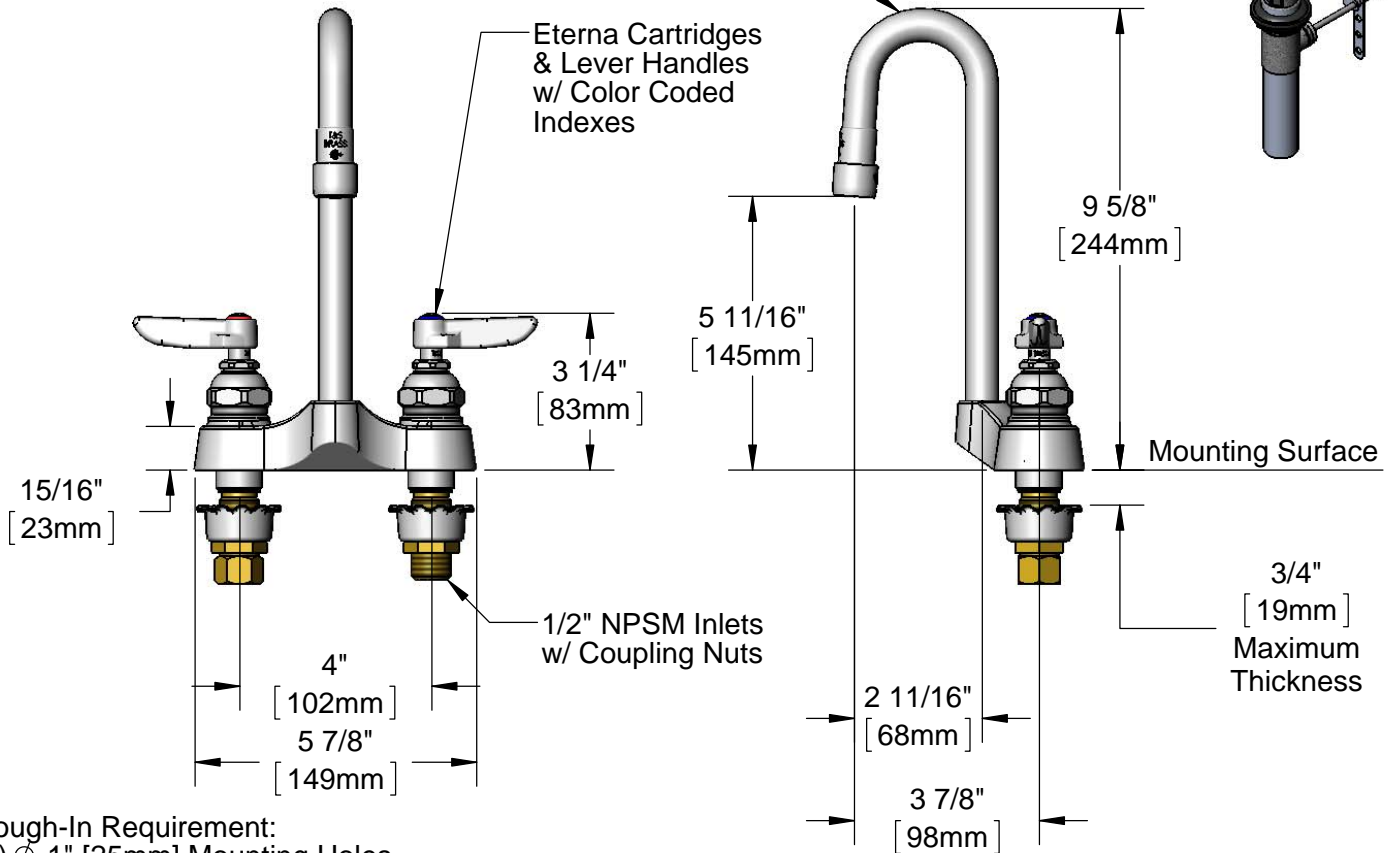
Contractor _____

Architect/Engineer _____

Rigid Gooseneck w/
B-0199-02
2.2 GPM Aerator

Pop-Up Drain
(Included)

Eterna Cartridges
& Lever Handles
w/ Color Coded
Indexes



Rough-In Requirement:
(2) ϕ 1" [25mm] Mounting Holes

Product Specifications:

4" Centerset Mixing Faucet, Eterna Cartridges, Lever Handles, Rigid Gooseneck, 2.2 GPM Aerator, Pop-Up Drain & 1/2" NPSM Male Inlets w/ Coupling Nuts

Product Compliance:

ASME A112.18.1 / CSA B125.1
NSF 61 - Section 9
NSF 372 (Low Lead Content)
ANSI A117.1 (ADA)

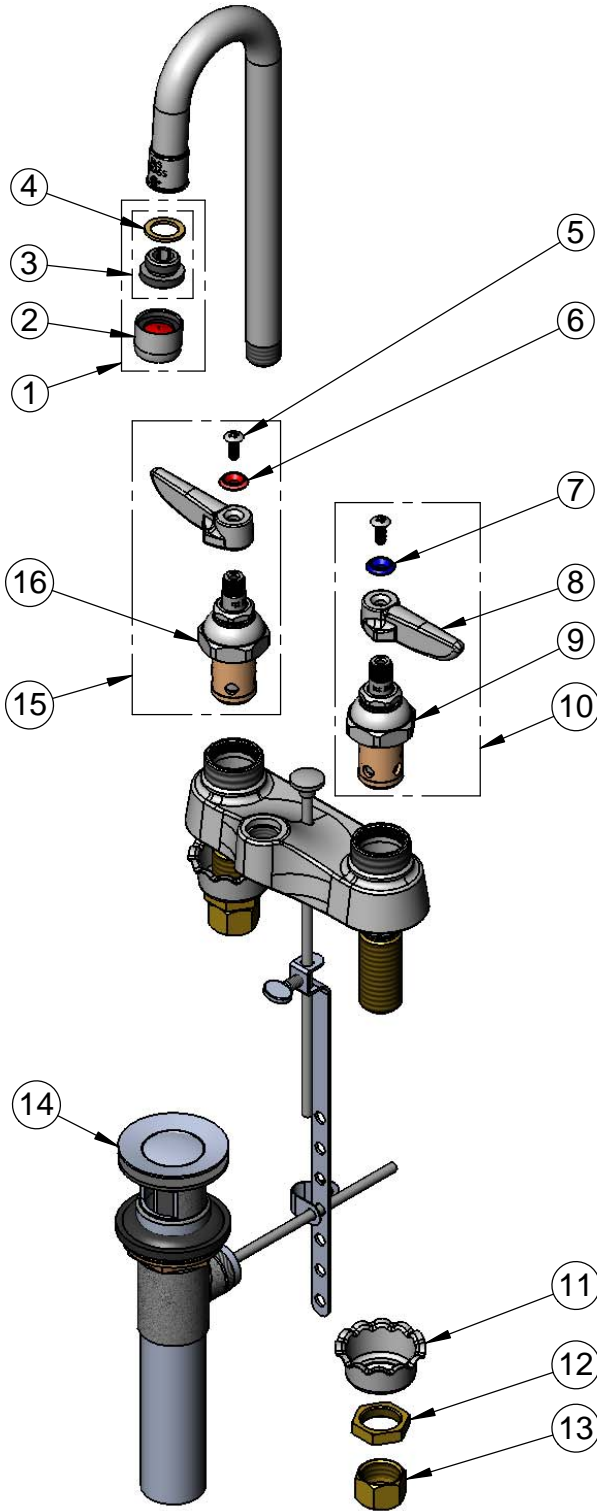


T&S BRASS AND BRONZE WORKS, INC.
 2 Saddleback Cove / P.O. Box 1088
 Travelers Rest, SC 29690

Model No.
B-0873

Item No.

Travelers Rest, SC: 800-476-4103 • Simi Valley, CA: 800-423-0150 • Fax: 864-834-3518 • www.tsbrass.com



ITEM NO.	SALES NO.	DESCRIPTION
1	B-0199-02	2.2 GPM Aerator, 3/8" NPSM Male
2	B-0199-01	2.2 GPM Aerator, 55/64"-27 UN Female
3	044A	3/8" to Aerator Adapter
4	001043-45	Washer
5	000922-45	Lever Handle Screw
6	001661-45	Red Index-HW
7	001660-45	Blue Index-CW
8	001638-45	Lever Handle
9	005959-40	Eterna Cartridge, LTC
10	002713-40	Eterna Cartridge, LTC w/ Handle, Index & Screw
11	001000-45	Rosette Washer
12	002954-45	Shank Lock Nut
13	000958-20	Coupling Nut
14	B-0898	Pop-Up Drain
15	002714-40	Eterna Cartridge, RTC w/ Handle, Index & Screw
16	005960-40	Eterna Cartridge, RTC

Product Specifications:
 4" Centerset Mixing Faucet, Eterna Cartridges, Lever Handles, Rigid Gooseneck, 2.2 GPM Aerator, Pop-Up Drain & 1/2" NPSM Male Inlets w/ Coupling Nuts

Product Compliance:
 ASME A112.18.1 / CSA B125.1
 NSF 61 - Section 9
 NSF 372 (Low Lead Content)
 ANSI A117.1 (ADA)



T&S BRASS AND BRONZE WORKS, INC.

2 Saddleback Cove / P.O. Box 1088
Travelers Rest, SC 29690

Model No.

B-0874

Item No.

Travelers Rest, SC: 800-476-4103 • Simi Valley, CA: 800-423-0150 • Fax: 864-834-3518 • www.tsbrass.com



ADA Compliant

This Space for Architect/Engineer Approval

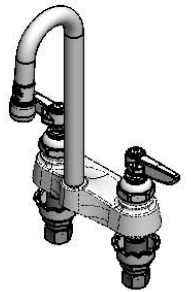
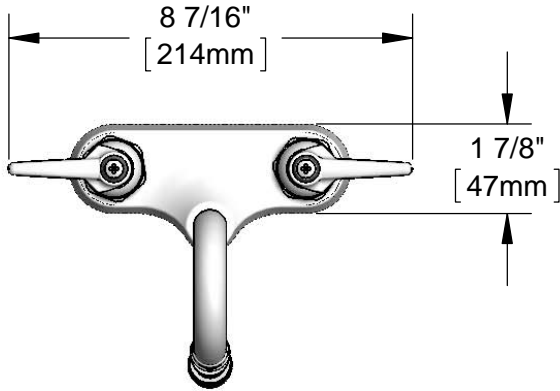
Job Name _____ Date _____

Model Specified _____ Quantity _____

Customer/Wholesaler _____

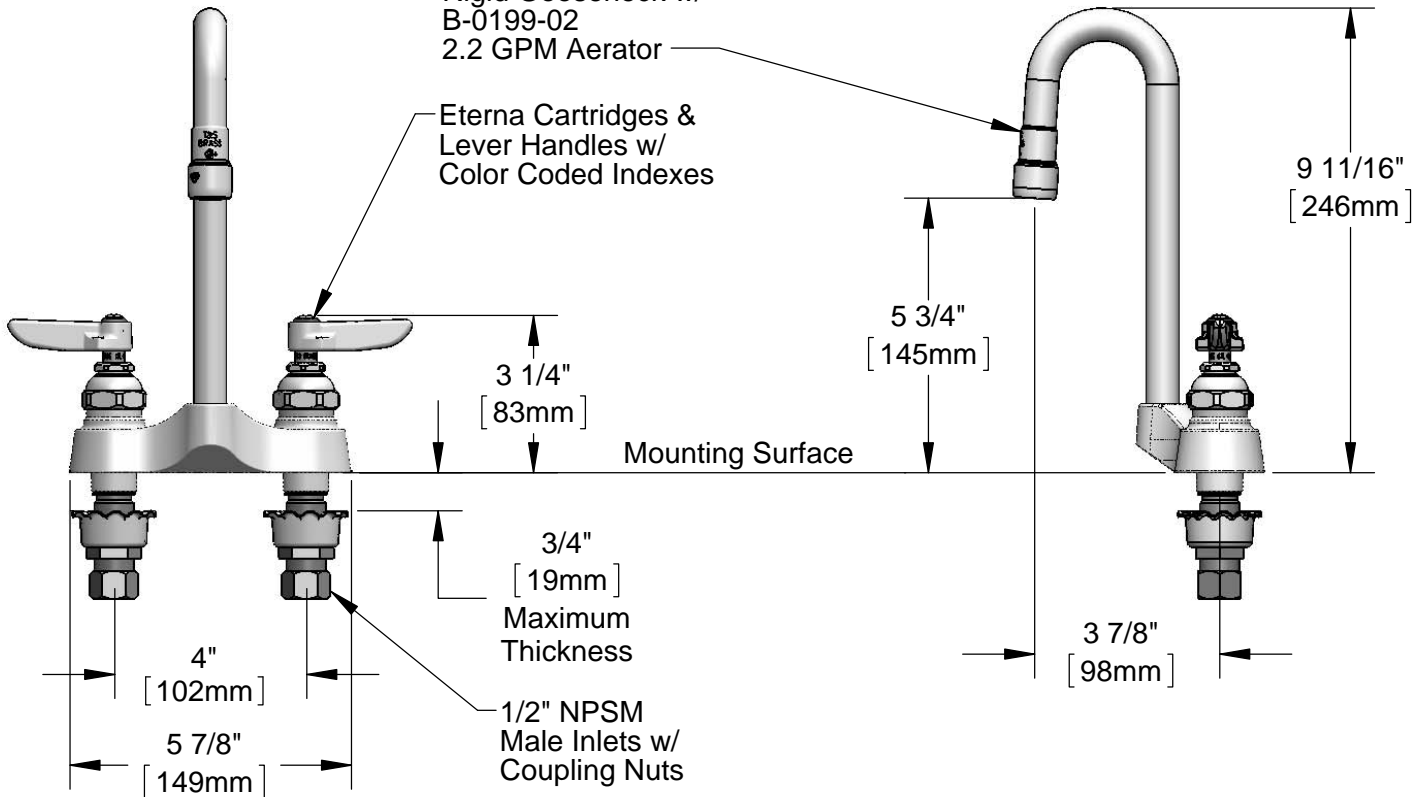
Contractor _____

Architect/Engineer _____



Rigid Gooseneck w/
B-0199-02
2.2 GPM Aerator

Eterna Cartridges &
Lever Handles w/
Color Coded Indexes



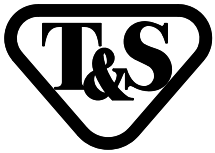
Rough-In Requirement:
(2) ϕ 1 1/8" [29mm] Mounting Holes

Product Specifications:

4" Centerset Deck Mount Faucet, Eterna Cartridges, Lever Handles, Rigid Gooseneck, 2.2 GPM Aerator & 1/2" NPSM Male Inlets w/ Coupling Nuts

Product Compliance:

ASME A112.18.1 / CSA B125.1
NSF 61 - Section 9
NSF 372 (Low Lead Content)
ANSI A117.1 (ADA)



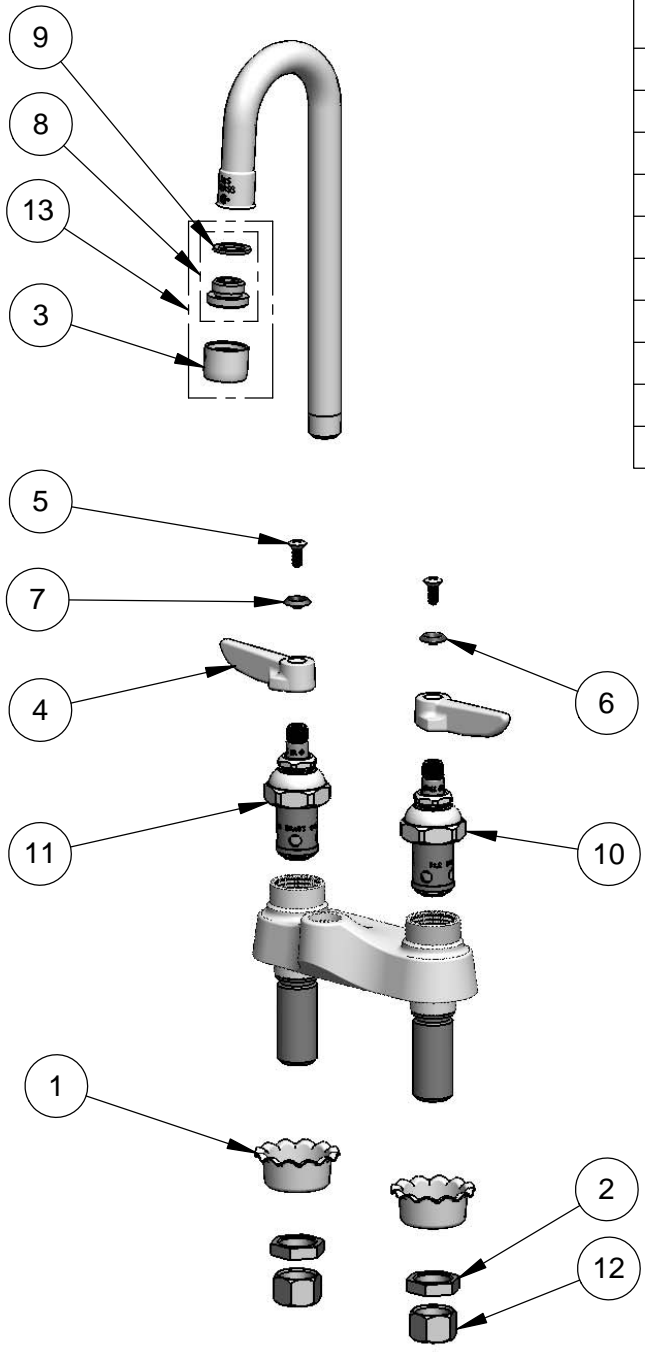
T&S BRASS AND BRONZE WORKS, INC.
 2 Saddleback Cove / P.O. Box 1088
 Travelers Rest, SC 29690

Model No.
B-0874

Item No.

Travelers Rest, SC: 800-476-4103 • Simi Valley, CA: 800-423-0150 • Fax: 864-834-3518 • www.tsbrass.com

ITEM NO.	SALES NO.	DESCRIPTION
1	001000-45	Rosette Washer
2	002954-45	Shank Lock Nut
3	B-0199-01	2.2 GPM Aerator, 55/64"-27 UN Female
4	001638-45	Lever Handle
5	000922-45	Lever Handle Screw
6	001660-45	Blue Index-CW
7	001661-45	Red Index-HW
8	044A	3/8" to Aerator Adapter
9	001043-45	Washer
10	005959-40	Eterna Cartridge, LTC
11	005960-40	Eterna Cartridge, RTC
12	000958-20	Coupling Nut
13	B-0199-02	Aerator, 2.2 GPM, 3/8" NPSM



Product Specifications:
 4" Centerset Deck Mount Faucet, Eterna Cartridges, Lever Handles, Rigid Gooseneck, 2.2 GPM Aerator & 1/2" NPSM Male Inlets w/ Coupling Nuts

Product Compliance:
 ASME A112.18.1 / CSA B125.1
 NSF 61 - Section 9
 NSF 372 (Low Lead Content)
 ANSI A117.1 (ADA)



T&S BRASS AND BRONZE WORKS, INC.

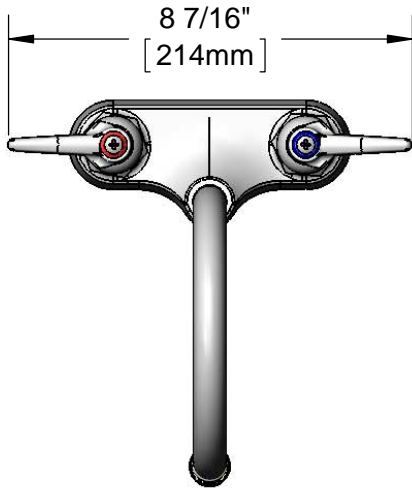
2 Saddleback Cove / P.O. Box 1088
Travelers Rest, SC 29690

Model No.

B-0874-122X-CR

Item No.

Travelers Rest, SC: 800-476-4103 • Simi Valley, CA: 800-423-0150 • Fax: 864-834-3518 • www.tsbrass.com



ADA Compliant

This Space for Architect/Engineer Approval

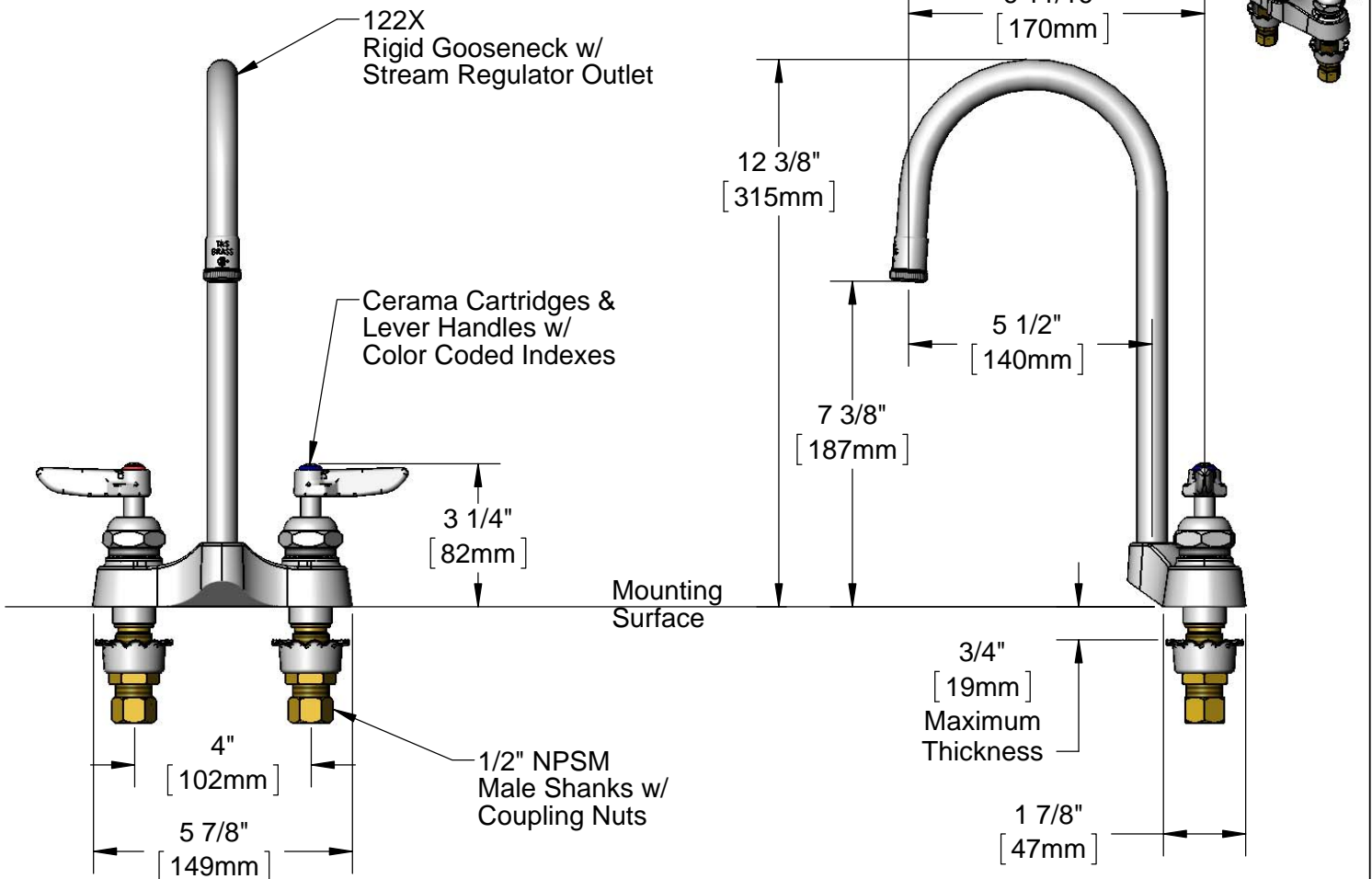
Job Name _____ Date _____

Model Specified _____ Quantity _____

Customer/Wholesaler _____

Contractor _____

Architect/Engineer _____



Rough-In Requirement:
(2) ϕ 1 1/8" [29mm] Mounting Holes

Product Specifications:
4" Centerset Mixing Faucet w/ Cerama Cartridges, Lever Handles, Rigid Gooseneck w/ Stream Regulator Outlet, & 1/2" NPSM Male Shanks

Drawn KJG	Checked JRM	Approved JHB
Scale: 1:4		Date: 11/26/13

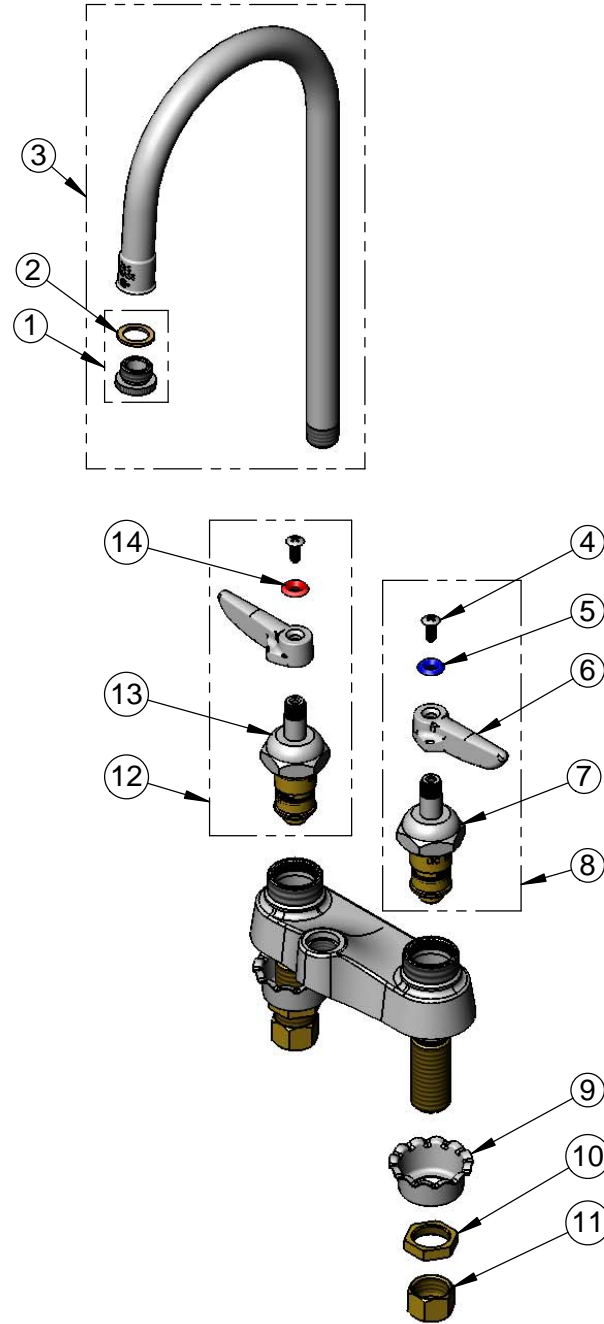


T&S BRASS AND BRONZE WORKS, INC.
 2 Saddleback Cove / P.O. Box 1088
 Travelers Rest, SC 29690

Model No.
B-0874-122X-CR

Item No.

Travelers Rest, SC: 800-476-4103 • Simi Valley, CA: 800-423-0150 • Fax: 864-834-3518 • www.tsbrass.com



ITEM NO.	SALES NO.	DESCRIPTION
1	B-LT	Stream Regulator Outlet
2	001043-45	Washer
3	122X	Rigid Gooseneck w/ B-LT Stream Regulator Outlet
4	000922-45	Lever Handle Screw
5	001660-45	Blue Index-CW
6	001638-45	Lever Handle
7	011279-25	Cerama Cartridge, LTC
8	012445-25	Cerama Cartridge, LTC w/ Handle, Index & Screw
9	001000-45	Rosette Washer
10	002954-45	Shank Lock Nut
11	000958-20	Coupling Nut
12	012444-25	Cerama Cartridge, RTC w/ Handle, Index & Screw
13	011278-25	Cerama Cartridge, RTC
14	001661-45	Red Index-HW

Product Specifications:
 4" Centerset Mixing Faucet w/ Cerama Cartridges, Lever Handles, Rigid Gooseneck w/ Stream Regulator Outlet, & 1/2" NPSM Male Shanks

Drawn KJG	Checked JRM	Approved JHB
---------------------	-----------------------	------------------------

Scale: NTS	Date: 11/26/13
----------------------	--------------------------



T&S BRASS AND BRONZE WORKS, INC.

2 Saddleback Cove / P.O. Box 1088
Travelers Rest, SC 29690



REG. #A2601
ISO #9001

Model No.

B-0874-133X

Item No.

Travelers Rest, SC: 800-476-4103 • Simi Valley, CA: 800-423-0150 • Fax: 864-834-3518 • www.tsbrass.com

This Space for Architect/Engineer Approval

Job Name _____ Date _____

Model Specified _____ Quantity _____

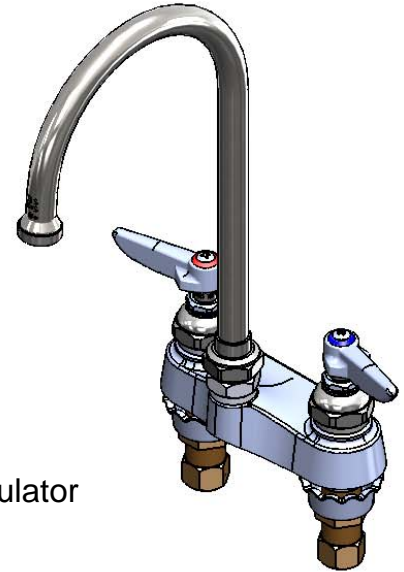
Customer/Wholesaler _____

Contractor _____

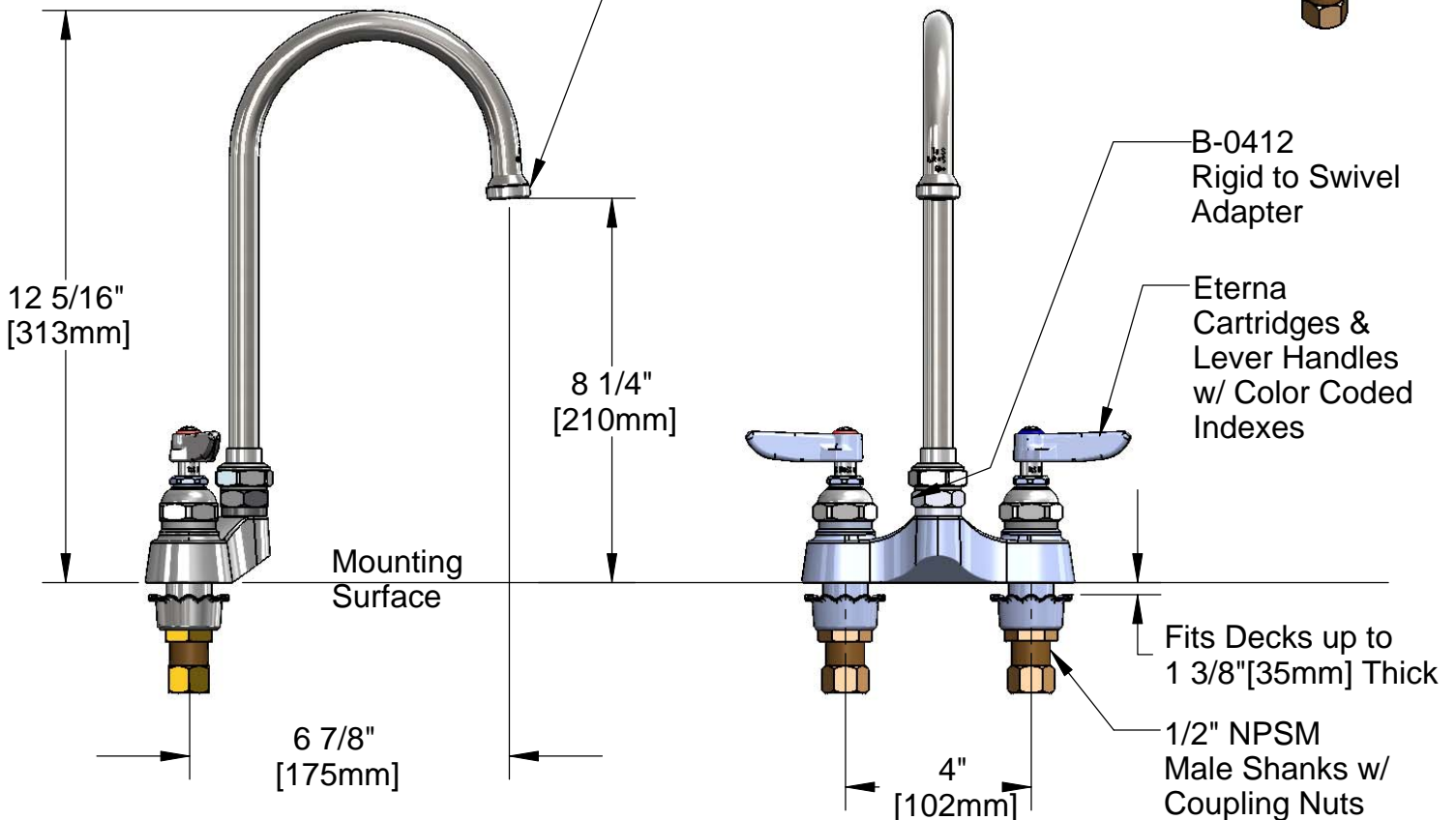
Architect/Engineer _____



ADA Compliant



133X
Swivel Gooseneck
w/ B-PT Stream Regulator



Note: Rough-In Requirements:
(2) ϕ 1 1/8" [29mm] Mounting Holes

Product Specifications:
4" Centerset Mixing Faucet w/ 1/2" NPSM Male Shanks, Eterna Cartridges, Lever Handles, Swivel Gooseneck, & Stream Regulator

Drawn
JRM

Checked
KJG

Approved
JHB

Scale:
1:4

Date:
05/15/11



T&S BRASS AND BRONZE WORKS, INC.

2 Saddleback Cove / P.O. Box 1088
Travelers Rest, SC 29690



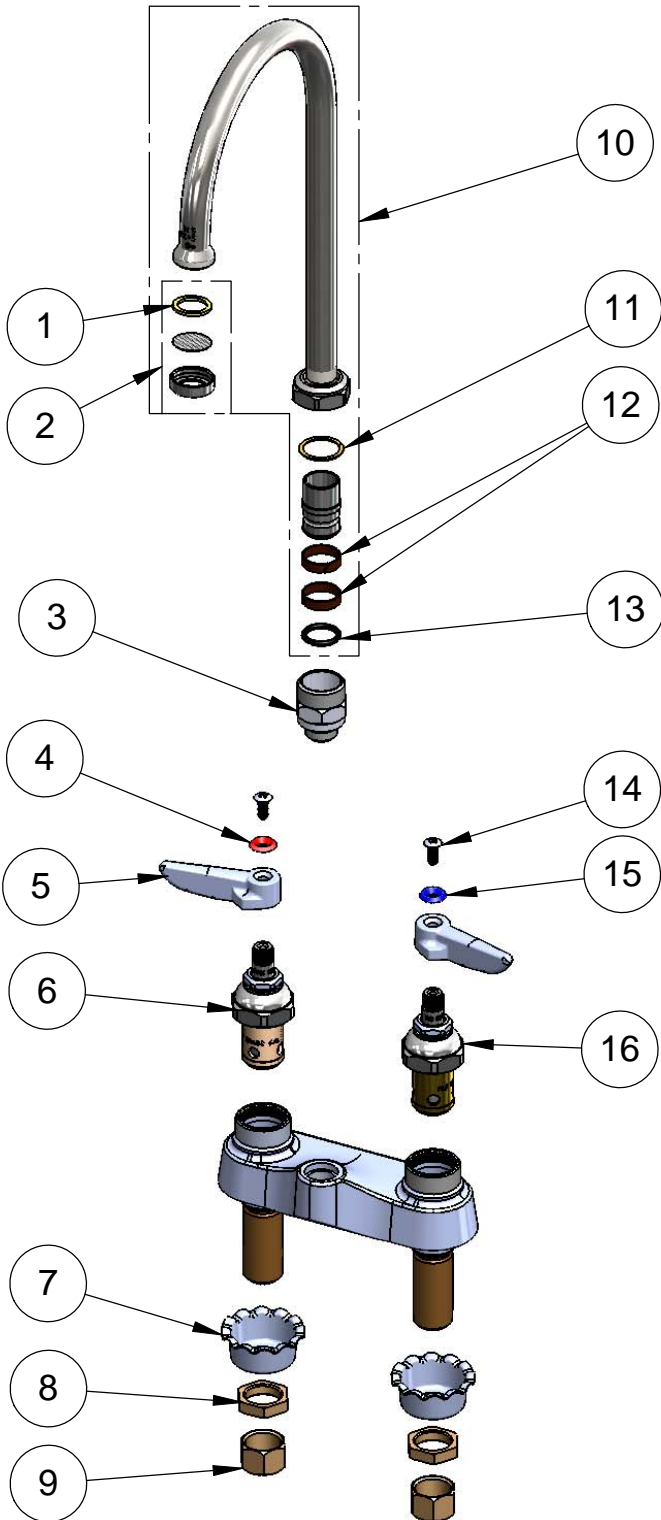
REG. #A2601
ISO #9001

Model No.

B-0874-133X

Item No.

Travelers Rest, SC: 800-476-4103 • Simi Valley, CA: 800-423-0150 • Fax: 864-834-3518 • www.tsbrass.com



ITEM NO.	SALES NO.	DESCRIPTION
1	001048-45	Nozzle Tip Washer
2	B-PT	Stream Regulator Outlet
3	B-0412	Rigid to Swivel Adapter
4	001661-45	Red Index-HW
5	001638-45	Lever Handle
6	005960-40	Hot Eterna Cartridge (RTC)
7	001000-45	Rosette Washer
8	002954-45	Shank Lock Nut
9	000958-20	Coupling Nut
10	133X	Swivel Gooseneck
11	009538-45	Swivel Washer
12	011429-45	Swivel Sleeves (2)
13	001074-45	O-Ring
14	000922-45	Lever Handle Screw
15	001660-45	Blue Index-CW
16	005959-40	Cold Eterna Cartridge (LTC)

Product Specifications:

4" Centerset Mixing Faucet w/ 1/2" NPSM Male Shanks, Eterna Cartridges, Lever Handles, Swivel Gooseneck, & Stream Regulator

Drawn	Checked	Approved
JRM	KJG	JHB
Scale:		Date:
NTS		05/15/11