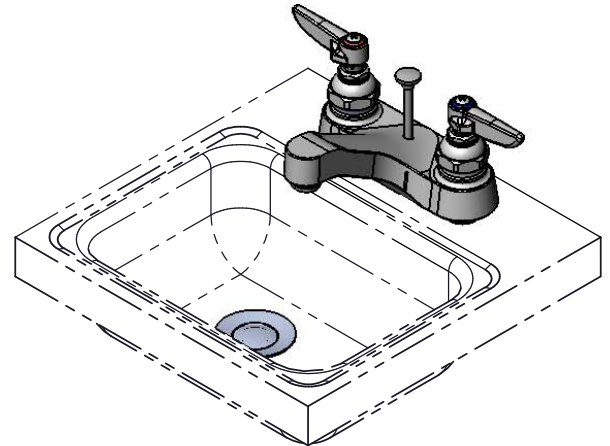
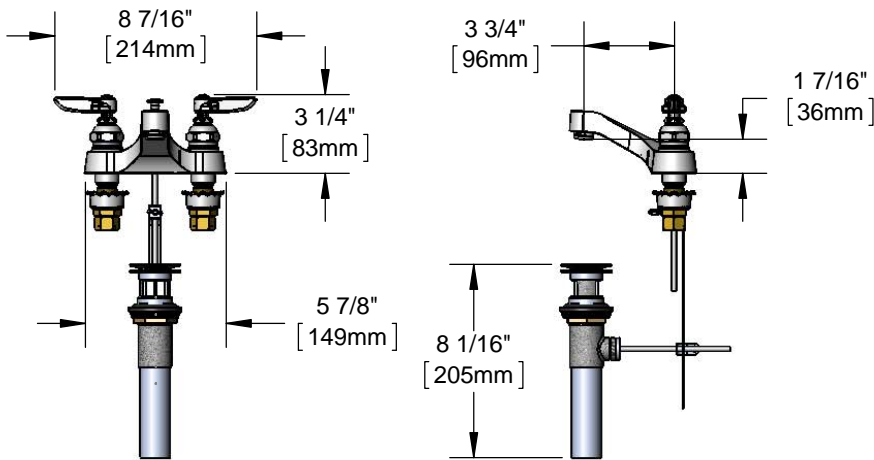




Architect/Engineering Specifications:

4" centerset deck mount mixing faucet with polished chrome plated brass body and integral spout, 2.2 GPM aerator, compression cartridges, lever handles, 1/2" NPSM male inlets and pop-up drain. Certified to ASME A112.18.1/CSA B125.1, NSF 61-Section 9 and NSF 372. Meets ADA ANSI/ICC A117.1 requirements.

Job Name _____
 Model Specified _____ Quantity _____
 Variations Specified _____
 Date _____



Features & Benefits:

- 4" centerset deck mount mixing faucet w/ polished chrome plated brass body and integral spout
- 2.2 GPM aerator, Series 3 (B-0199-03)
- Eterna compression cartridges
- Lever handles w/ color coded indexes
- 1/2" NPSM male inlets w/ coupling nuts
- Pop-up drain assembly
- Material: Polished chrome plated brass body & spout, chrome plated brass drain assembly and chrome plated metal handles

Product Compliance:

- ASME A112.18.1 / CSA B125.1
- NSF 61 - Section 9
- NSF 372 (Low Lead Content)
- ANSI A117.1 (ADA)



Warranty: One Year (Limited)

Performance Data:

- Pressure: 20 - 125 psi
- Temperature: 40°F - 140°F
- Flow Rate: 2.20 GPM @ 60 psi



ADA Compliant

Optional Outlets (Series 3 / VR Series 8)

| GPM | Aerated | Non-Aerated (Laminar) | VR Aerated | VR Non-Aerated (VR Laminar) | Optional Handles | Optional Cartridges |
|------|---------------------------------------|---|---------------------------------------|--|---|--|
| 0.35 | N/A | <input type="checkbox"/> B-0199-03-N035 | N/A | <input type="checkbox"/> B-0199-08-N035 | <input type="checkbox"/> 4" Wrist Action | <input type="checkbox"/> Quarter Turn Cerama |
| 0.5 | N/A | <input type="checkbox"/> B-0199-03-N05 | N/A | <input type="checkbox"/> B-0199-08-N05 | <input type="checkbox"/> Lever (Standard) | <input type="checkbox"/> Eterna (Standard) |
| 1.0 | N/A | N/A | N/A | <input type="checkbox"/> B-0199-08-LF-10 | <input type="checkbox"/> 4-Arm | <input type="checkbox"/> Quarter Turn Eterna |
| 1.5 | <input type="checkbox"/> B-0199-03-WS | N/A | <input type="checkbox"/> B-0199-08-WS | N/A | | <input type="checkbox"/> Push Button Metering |
| 2.2 | <input type="checkbox"/> B-0199-03 | <input type="checkbox"/> B-0199-26 | <input type="checkbox"/> B-0199-08 | <input type="checkbox"/> B-0199-28 | | <input type="checkbox"/> Pivot Action Metering <input type="checkbox"/> Wrist Action Metering |





Architect/Engineering Specifications:

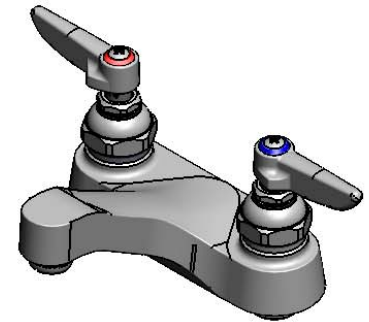
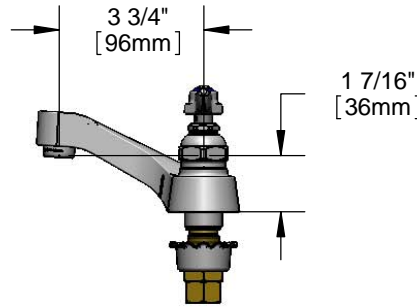
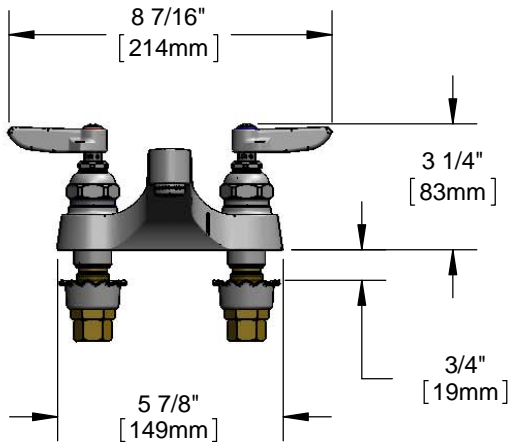
4" centerset deck mount mixing faucet with polished chrome plated brass body and integral spout, 2.2 GPM aerator, compression cartridges, lever handles, 1/2" NPSM male inlets. Certified to ASME A112.18.1/CSA B125.1, NSF 61-Section 9 and NSF 372. Meets ADA ANSI/ICC A117.1 requirements.

Job Name _____

Model Specified _____ Quantity _____

Variations Specified _____

Date _____



Features & Benefits:

- 4" centerset deck mount mixing faucet w/ polished chrome plated brass cast body and spout
- 2.2 GPM aerator, Series 3 (B-0199-03)
- Eterna compression cartridges
- Lever handles with color coded indexes
- 1/2" NPSM male inlets with coupling nuts
- Material: Polished chrome plated brass cast body & spout and chrome plated metal handles

Product Compliance:

- ASME A112.18.1 / CSA B125.1
- NSF 61 - Section 9
- NSF 372 (Low Lead Content)
- ANSI A117.1 (ADA)

Warranty: One Year (Limited)

Performance Data:

- Pressure: 20 - 125 psi
- Temperature: 40°F - 140°F
- Flow Rate: 2.2 GPM @ 60 psi



ADA Compliant

Optional Outlets (Series 3 / VR Series 8)

| GPM | Aerated | Non-Aerated (Laminar) | VR Aerated | VR Non-Aerated (VR Laminar) | Optional Handles | Optional Cartridges |
|------|---------------------------------------|---|---------------------------------------|--|---|--|
| 0.35 | N/A | <input type="checkbox"/> B-0199-03-N035 | N/A | <input type="checkbox"/> B-0199-08-N035 | <input type="checkbox"/> 4" Wrist Action | <input type="checkbox"/> Quarter Turn Cerama |
| 0.5 | N/A | <input type="checkbox"/> B-0199-03-N05 | N/A | <input type="checkbox"/> B-0199-08-N05 | <input type="checkbox"/> Lever (Standard) | <input type="checkbox"/> Eterna (Standard) |
| 1.0 | N/A | N/A | N/A | <input type="checkbox"/> B-0199-08-LF-10 | <input type="checkbox"/> 4-Arm | <input type="checkbox"/> Quarter Turn Eterna |
| 1.5 | <input type="checkbox"/> B-0199-03-WS | N/A | <input type="checkbox"/> B-0199-08-WS | N/A | | <input type="checkbox"/> Push Button Metering |
| 2.2 | <input type="checkbox"/> B-0199-03 | <input type="checkbox"/> B-0199-26 | <input type="checkbox"/> B-0199-08 | <input type="checkbox"/> B-0199-28 | | <input type="checkbox"/> Pivot Action Metering |
| | | | | | | <input type="checkbox"/> Wrist Action Metering |

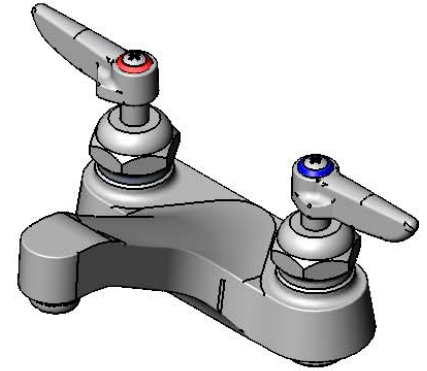
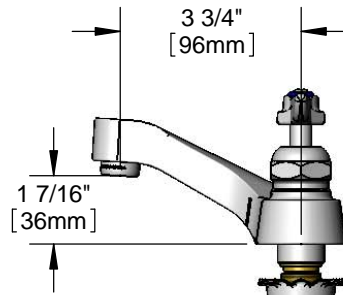
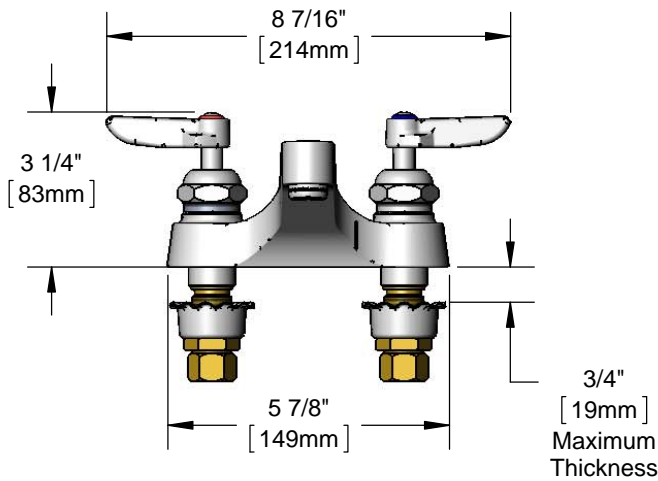




Architect/Engineering Specifications:

4" centerset deck mount mixing faucet with polished chrome plated brass body and integral spout, 2.2 GPM aerator, ceramic cartridges, lever handles and 1/2" NPSM male inlets. Certified to ASME A112.18.1/CSA B125.1, NSF 61-Section 9 and NSF 372. Meets ADA ANSI/ICC A117.1 requirements.

| | | | |
|----------------------|-------|----------|-------|
| Job Name | _____ | | |
| Model Specified | _____ | Quantity | _____ |
| Variations Specified | _____ | | |
| Date | _____ | | |



Features & Benefits:

- 4" centerset deck mount mixing faucet w/ polished chrome plated brass body and integral spout
- 2.2 GPM aerator, Series 3 (B-0199-03)
- Cerama cartridges
- Lever handles w/ color coded indexes
- 1/2" NPSM male inlets w/ coupling nuts
- Material: Polished chrome plated brass body & spout and chrome plated metal handles

Product Compliance:

- ASME A112.18.1 / CSA B125.1
- NSF 61 - Section 9
- NSF 372 (Low Lead Content)
- ANSI A117.1 (ADA)



Warranty: One Year (Limited)

- Cerama Cartridge: Lifetime (Limited)



Performance Data:

- Pressure: 20 - 125 psi
- Temperature: 40°F - 180°F
- Flow Rate: 2.20 GPM @ 60 psi

Optional Outlets (Series 3 / VR Series 8)

| GPM | Aerated | Non-Aerated (Laminar) | VR Aerated | VR Non-Aerated (VR Laminar) | Optional Handles | Optional Cartridges |
|------|---------------------------------------|---|---------------------------------------|--|--|--|
| 0.35 | N/A | <input type="checkbox"/> B-0199-03-N035 | N/A | <input type="checkbox"/> B-0199-08-N035 | <input type="checkbox"/> 4" Wrist Action | <input type="checkbox"/> Quarter Turn Cerama (Std) |
| 0.5 | N/A | <input type="checkbox"/> B-0199-03-N05 | N/A | <input type="checkbox"/> B-0199-08-N05 | <input type="checkbox"/> Lever (Std) | <input type="checkbox"/> Eterna |
| 1.0 | N/A | N/A | N/A | <input type="checkbox"/> B-0199-08-LF-10 | <input type="checkbox"/> 4-Arm | <input type="checkbox"/> Quarter Turn Eterna |
| 1.5 | <input type="checkbox"/> B-0199-03-WS | N/A | <input type="checkbox"/> B-0199-08-WS | N/A | | <input type="checkbox"/> Push Button Metering |
| 2.2 | Standard | <input type="checkbox"/> B-0199-26 | <input type="checkbox"/> B-0199-08 | <input type="checkbox"/> B-0199-28 | | <input type="checkbox"/> Pivot Action Metering |
| | | | | | | <input type="checkbox"/> Wrist Action Metering |





Medical and Lavatory Faucets

B-0871-VRS

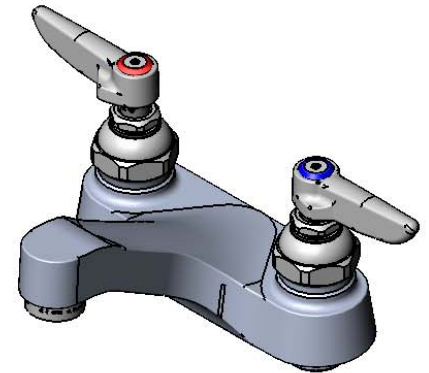
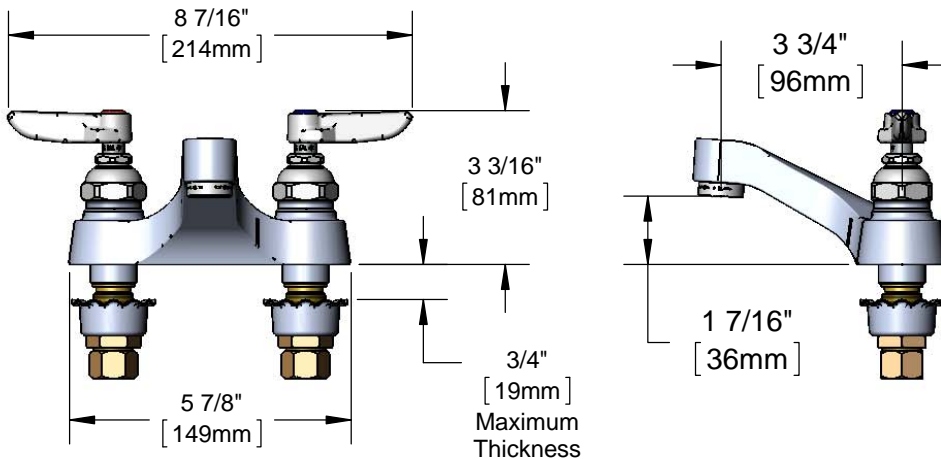
TAG:

Centerset Lavatory Faucet

Architect/Engineering Specifications:

4" centerset deck mount mixing faucet with polished chrome plated brass body and integral spout, 2.2 GPM vandal resistant aerator, compression cartridges, lever handles with vandal resistant screws and 1/2" NPSM male inlets. Certified to ASME A112.18.1/CSA B125.1, NSF 61-Section 9 and NSF 372. Meets ADA ANSI/ICC A117.1 requirements.

| |
|--------------------------------------|
| Job Name _____ |
| Model Specified _____ Quantity _____ |
| Variations Specified _____ |
| Date _____ |



Features & Benefits:

- 4" centerset deck mount mixing faucet w/ polished chrome plated brass body and integral spout
- 2.2 GPM VR aerator, Series 8 (B-0199-08)
- Eterna compression cartridges
- Lever handles w/ VR screws & color coded indexes
- 1/2" NPSM male inlets w/ coupling nuts
- Material: polished chrome plated brass body & spout and chrome plated metal handles

Product Compliance:

- ASME A112.18.1 / CSA B125.1
- NSF 61 - Section 9
- NSF 372 (Low Lead Content)
- ANSI A117.1 (ADA)



Warranty: One Year (Limited)

Performance Data:

- Pressure: 20 - 125 psi
- Temperature: 40°F - 140°F
- Flow Rate: 2.20 GPM @ 60 psi



Optional Outlets (Series 3 / VR Series 8)

| GPM | Aerated | Non-Aerated (Laminar) | VR Aerated | VR Non-Aerated (VR Laminar) | Optional Handles | Optional Cartridges |
|------|---------------------------------------|---|---------------------------------------|--|---|--|
| 0.35 | N/A | <input type="checkbox"/> B-0199-03-N035 | N/A | <input type="checkbox"/> B-0199-08-N035 | <input type="checkbox"/> 4" Wrist Action | <input type="checkbox"/> Quarter Turn Cerama |
| 0.5 | N/A | <input type="checkbox"/> B-0199-03-N05 | N/A | <input type="checkbox"/> B-0199-08-N05 | <input type="checkbox"/> Lever (Standard) | <input type="checkbox"/> Eterna (Standard) |
| 1.0 | N/A | N/A | N/A | <input type="checkbox"/> B-0199-08-LF-10 | <input type="checkbox"/> 4-Arm | <input type="checkbox"/> Quarter Turn Eterna |
| 1.5 | <input type="checkbox"/> B-0199-03-WS | N/A | <input type="checkbox"/> B-0199-08-WS | N/A | | <input type="checkbox"/> Push Button Metering |
| 2.2 | <input type="checkbox"/> B-0199-03 | <input type="checkbox"/> B-0199-26 | Standard | <input type="checkbox"/> B-0199-28 | | <input type="checkbox"/> Pivot Action Metering |
| | | | | | | <input type="checkbox"/> Wrist Action Metering |



T&S BRASS AND BRONZE WORKS, INC.



• 2 Saddleback Cove • Travelers Rest, SC 29690
 Ph 800-476-4103 • Fax 864-834-3518
 • Simi Valley, CA • Ph 800-423-0150 • www.tsbrass.com

Date: 02/16/15