



# T&S BRASS AND BRONZE WORKS, INC.

2 Saddleback Cove / P.O. Box 1088  
Travelers Rest, SC 29690

Model No.

**B-0870**

Item No.

Travelers Rest, SC: 800-476-4103 • Simi Valley, CA: 800-423-0150 • Fax: 864-834-3518 • www.tsbrass.com

This Space for Architect/Engineer Approval

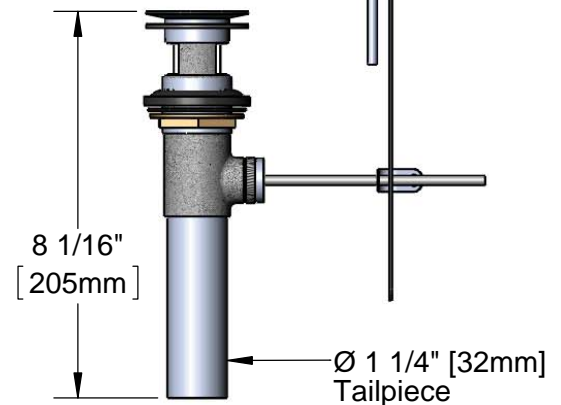
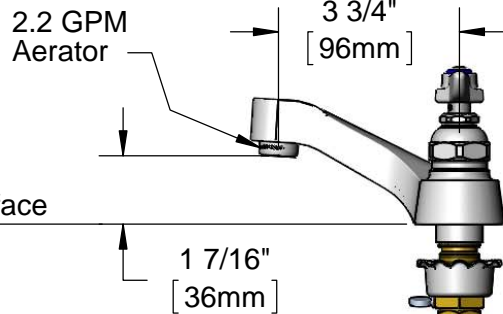
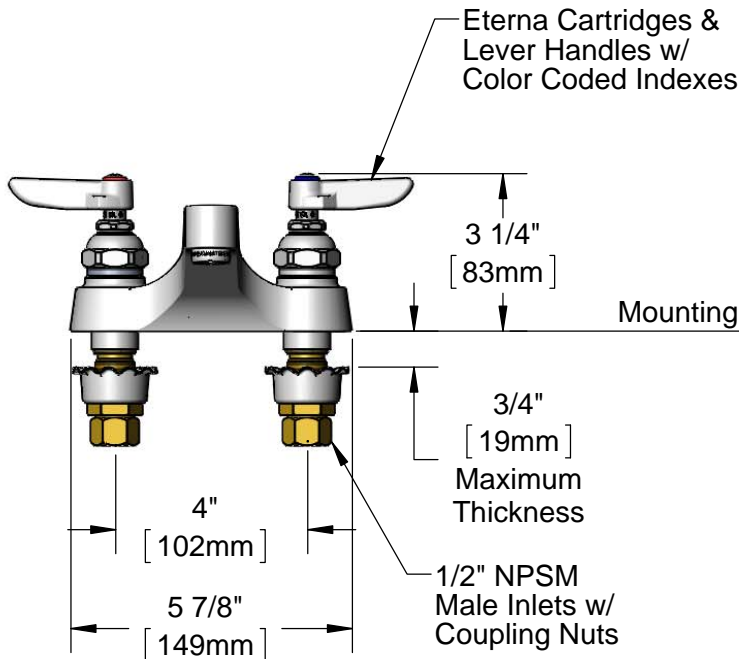
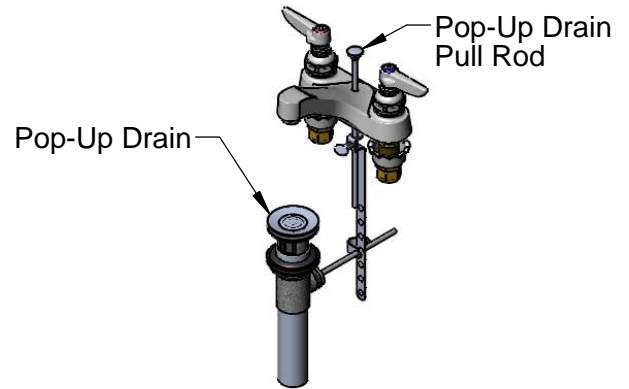
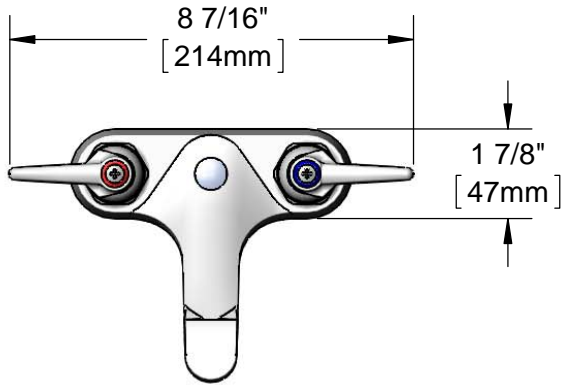
Job Name \_\_\_\_\_ Date \_\_\_\_\_

Model Specified \_\_\_\_\_ Quantity \_\_\_\_\_

Customer/Wholesaler \_\_\_\_\_

Contractor \_\_\_\_\_

Architect/Engineer \_\_\_\_\_



Rough-In Requirement:  
(2) Ø 1 1/8" [29mm] Mounting Holes

Product Specifications:  
4" Centerset Deck Mount Faucet, Eterna Cartridges, Lever Handles,  
2.2 GPM Aerator Outlet, Pop-Up Drain & 1/2" NPSM Male Inlets w/  
Coupling Nuts

Product Compliance:  
ASME A112.18.1 / CSA B125.1  
NSF 61 - Section 9  
NSF 372 (Low Lead Content)  
ANSI A117.1 (ADA)

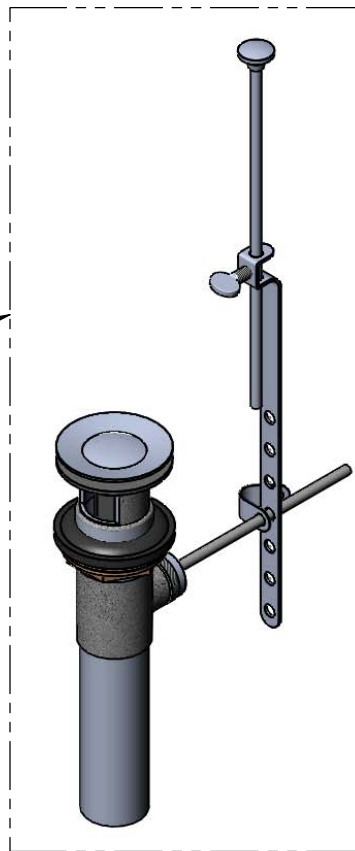
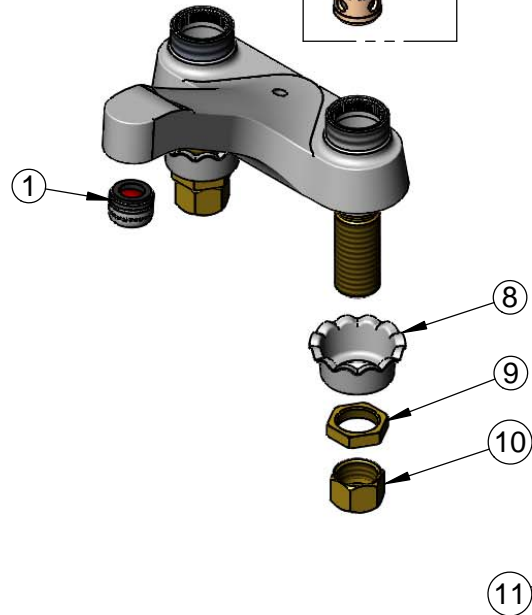
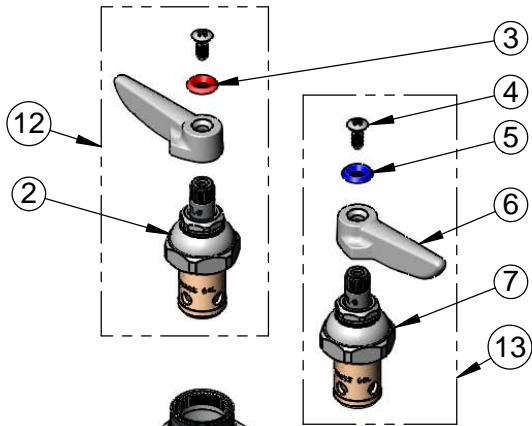


**T&S BRASS AND BRONZE WORKS, INC.**  
 2 Saddleback Cove / P.O. Box 1088  
 Travelers Rest, SC 29690

Model No.  
**B-0870**

Item No.

Travelers Rest, SC: 800-476-4103 • Simi Valley, CA: 800-423-0150 • Fax: 864-834-3518 • www.tsbrass.com



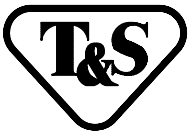
ITEM NO.	SALES NO.	DESCRIPTION
1	B-0199-03	2.2 GPM Aerator, 13/16-27 UN Male
2	005960-40	Eterna Cartridge, RTC
3	001661-45	Red Index-HW
4	000922-45	Lever Handle Screw
5	001660-45	Blue Index-CW
6	001638-45	Lever Handle
7	005959-40	Eterna Cartridge, LTC
8	001000-45	Rosette Washer
9	002954-45	Shank Lock Nut
10	000958-20	Coupling Nut
11	B-0898	Sink Drain w/ Pop-Up
12	002714-40	Eterna Cartridge, RTC w/ Handle, Index & Screw
13	002713-40	Eterna Cartridge, LTC w/ Handle, Index & Screw

**Product Specifications:**

4" Centerset Deck Mount Faucet, Eterna Cartridges, Lever Handles, 2.2 GPM Aerator Outlet, Pop-Up Drain & 1/2" NPSM Male Inlets w/ Coupling Nuts

**Product Compliance:**

ASME A112.18.1 / CSA B125.1  
 NSF 61 - Section 9  
 NSF 372 (Low Lead Content)  
 ANSI A117.1 (ADA)



**T&S BRASS AND BRONZE WORKS, INC.**

2 SADDLEBACK COVE / P.O. BOX 1088 / TRAVELERS REST, SC 29690

PHONE 800-476-4103

FAX 864- 834-3518



REG.#A2601  
ISO #9002

Model No.

B-0870-CR

Item No.:

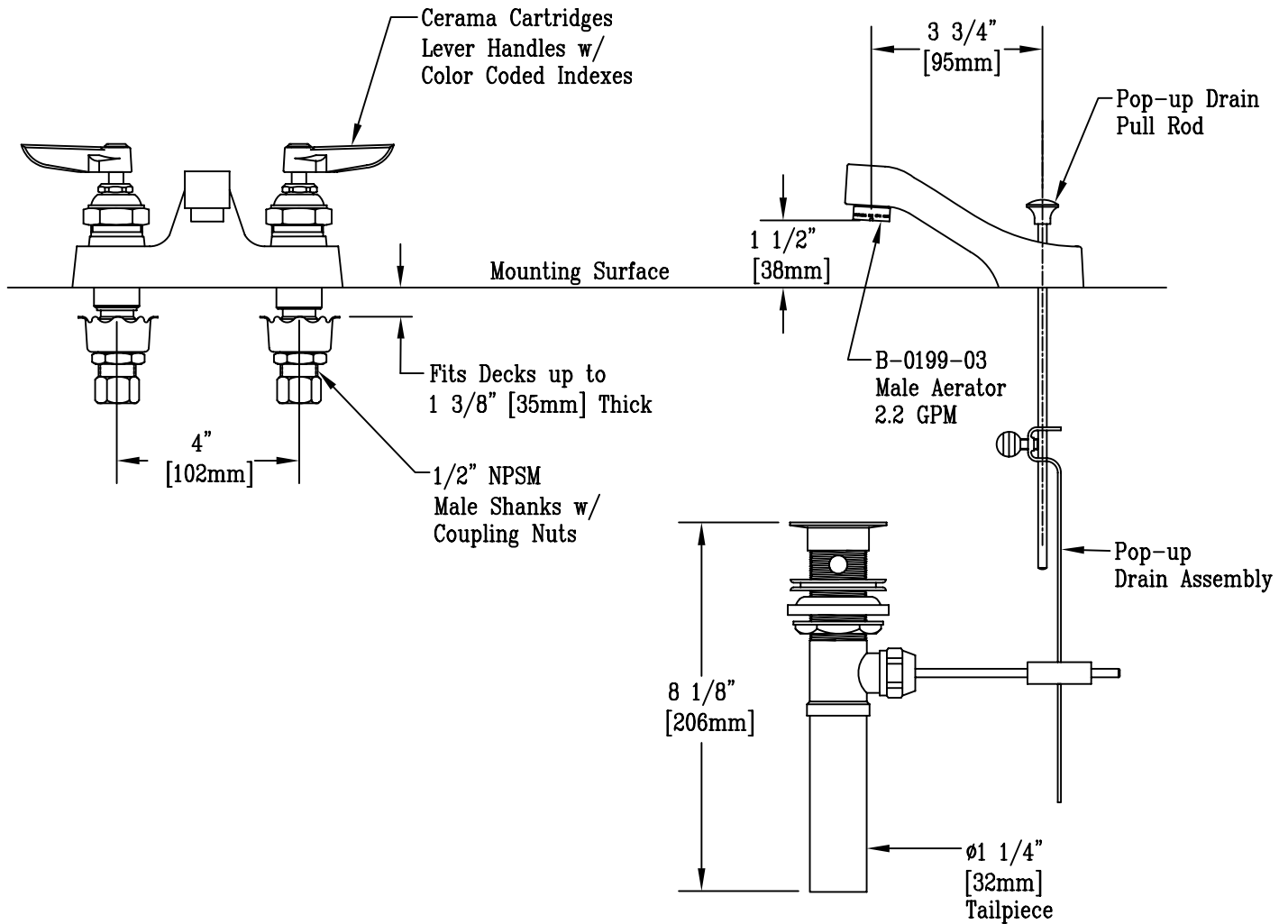
Job Name:

Architect/Engineer Approval:

Notes:



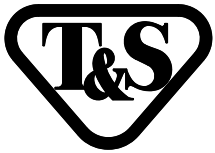
**ADA Compliant**



**Note: Rough-In Requirements**  
(2) Ø 1 1/2" [29mm] Mounting Holes

Product Description:  
4" Centerset Commercial Mixing Faucet w/ Cerama Cartridges, Pop-up Drain, Aerator Outlet, Lever Handles & 1/2" NPSM Male Shanks

Drawn: KJG	Checked JRM	Scale: 1:4
Approved JHB	Date: 05/07/10	



**T&S BRASS AND BRONZE WORKS, INC.**  
 2 Saddleback Cove / P.O. Box 1088  
 Travelers Rest, SC 29690

Model No.  
**B-0871**

Item No.

Travelers Rest, SC: 800-476-4103 • Simi Valley, CA: 800-423-0150 • Fax: 864-834-3518 • www.tsbrass.com



**ADA Compliant**

This Space for Architect/Engineer Approval

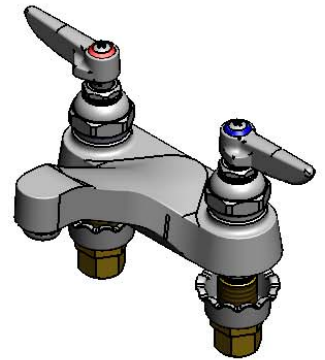
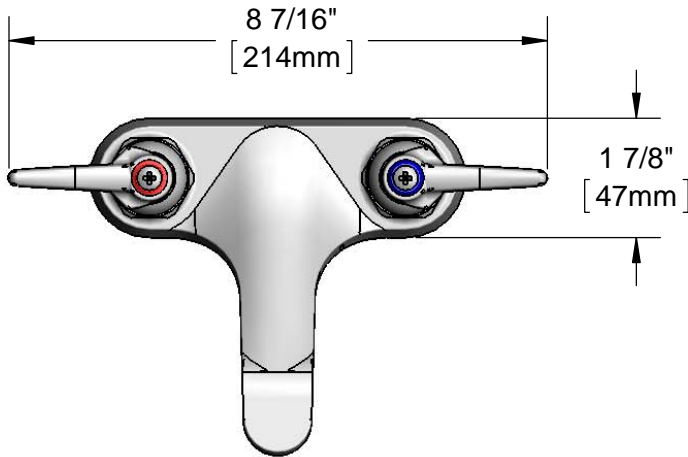
Job Name \_\_\_\_\_ Date \_\_\_\_\_

Model Specified \_\_\_\_\_ Quantity \_\_\_\_\_

Customer/Wholesaler \_\_\_\_\_

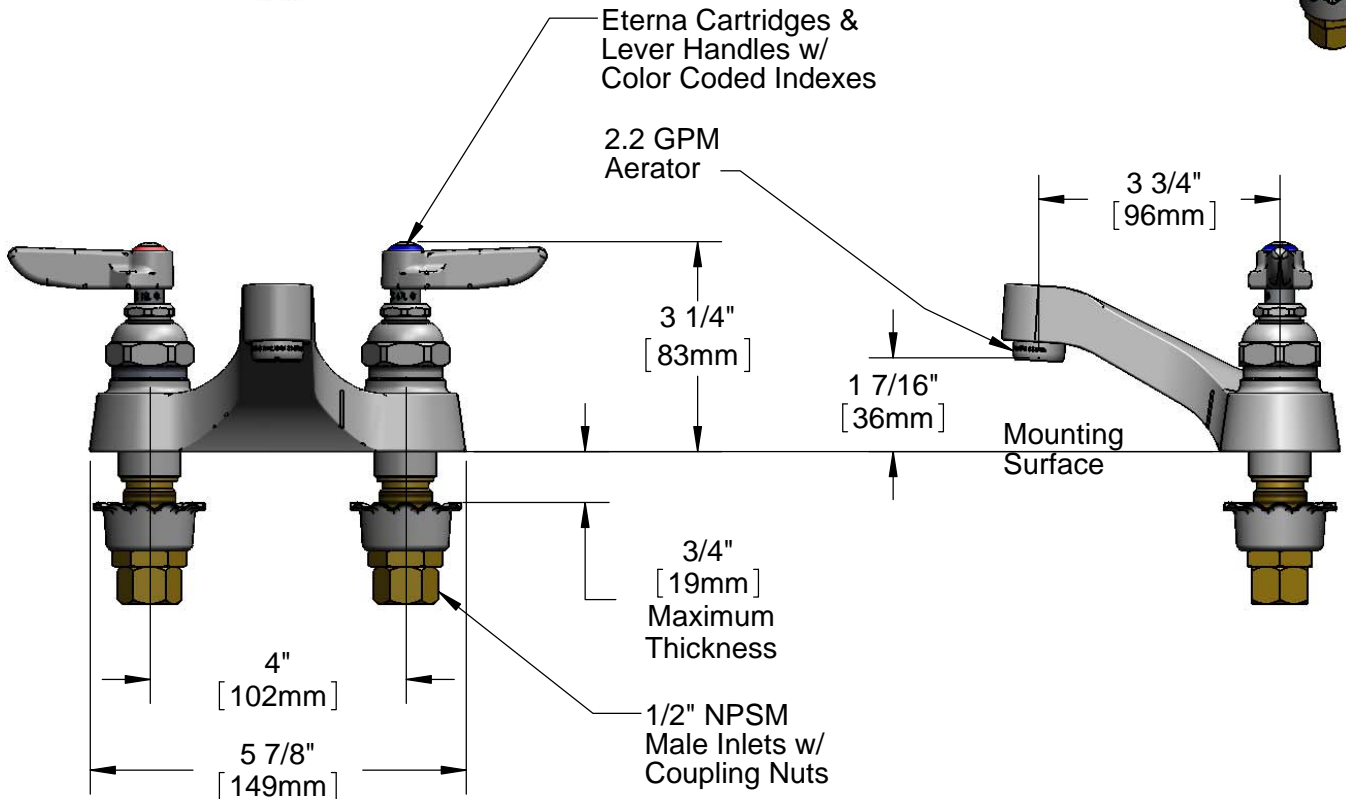
Contractor \_\_\_\_\_

Architect/Engineer \_\_\_\_\_



Eterna Cartridges & Lever Handles w/ Color Coded Indexes

2.2 GPM Aerator



Mounting Surface

3/4" [19mm] Maximum Thickness

1/2" NPSM Male Inlets w/ Coupling Nuts

Rough-In Requirement:  
 (2)  $\varnothing$  1 1/8" [29mm] Mounting Holes

Product Specifications:  
 4" Centerset Deck Mount Faucet, Eterna Cartridges, Lever Handles, 2.2 GPM Aerator & 1/2" NPSM Male Inlets w/ Coupling Nuts

Product Compliance:  
 ASME A112.18.1 / CSA B125.1  
 NSF 61 - Section 9  
 NSF 372 (Low Lead Content)  
 ANSI A117.1 (ADA)

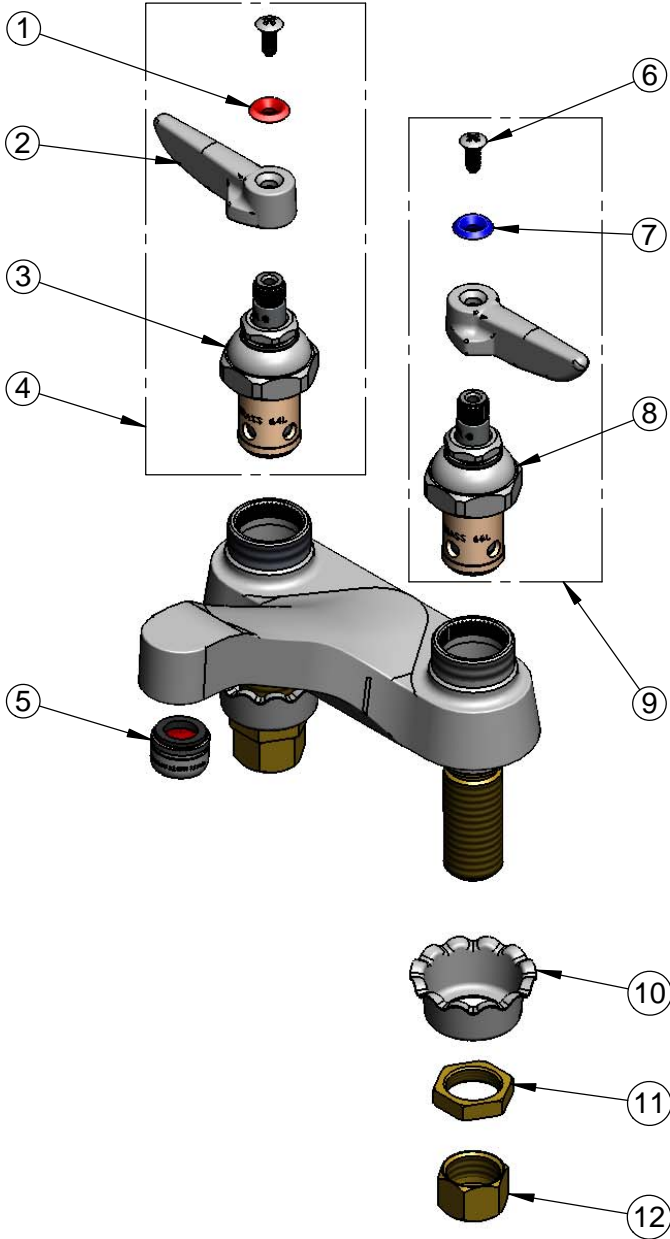


**T&S BRASS AND BRONZE WORKS, INC.**  
 2 Saddleback Cove / P.O. Box 1088  
 Travelers Rest, SC 29690

Model No.  
**B-0871**

Item No.

Travelers Rest, SC: 800-476-4103 • Simi Valley, CA: 800-423-0150 • Fax: 864-834-3518 • www.tsbrass.com



ITEM NO.	SALES NO.	DESCRIPTION
1	001661-45	Red Index-HW
2	001638-45	Lever Handle
3	005960-40	Eterna Cartridge, RTC
4	002714-40	Eterna Cartridge, RTC w/ Handle, Index & Screw
5	B-0199-03	2.2 GPM Aerator, 13/16-27 UN Male
6	000922-45	Lever Handle Screw
7	001660-45	Blue Index-CW
8	005959-40	Eterna Cartridge, LTC
9	002713-40	Eterna Cartridge, LTC w/ Handle, Index & Screw
10	001000-45	Rosette Washer
11	002954-45	Shank Lock Nut
12	000958-20	Coupling Nut

**Product Specifications:**

4" Centerset Deck Mount Faucet, Eterna Cartridges, Lever Handles, 2.2 GPM Aerator & 1/2" NPSM Male Inlets w/ Coupling Nuts

**Product Compliance:**

ASME A112.18.1 / CSA B125.1  
 NSF 61 - Section 9  
 NSF 372 (Low Lead Content)  
 ANSI A117.1 (ADA)



**T&S BRASS AND BRONZE WORKS, INC.**

2 SADDLEBACK COVE / P.O. BOX 1088 / TRAVELERS REST, SC 29690

PHONE 800-476-4103

FAX 864-834-3518



REG.#A2601  
ISO #9002

Model No.

B-0871CR-PRISON

Item No.:

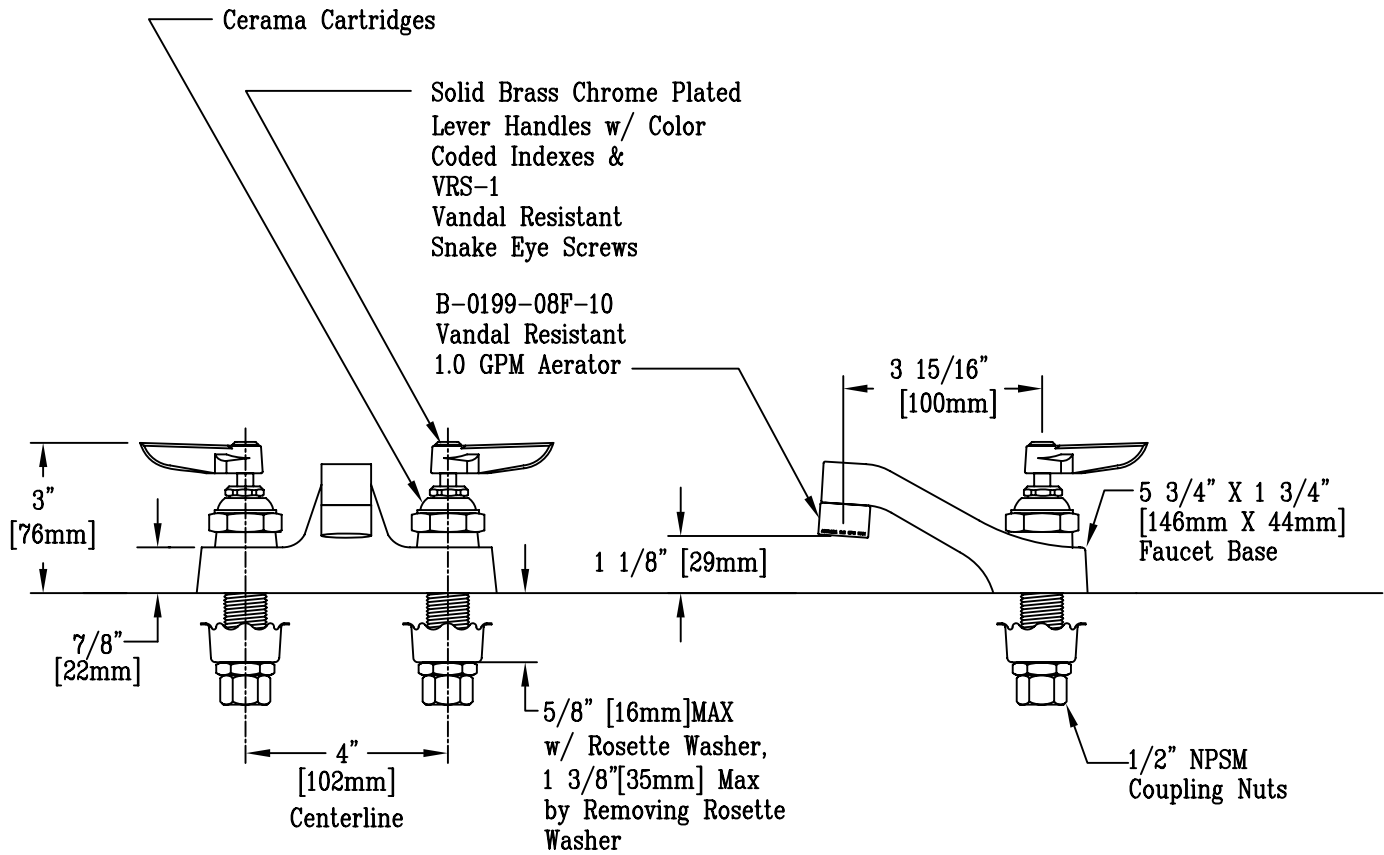
Job Name:

Architect/Engineer Approval:

Notes:



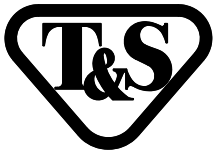
ADA COMPLIANT



014075-45 Handle Vandal Resistant Spanner Bit Supplied.	Q015425-45 Aerator Vandal Resistant Key Supplied.

Product Description:  
B-0871 w/ Solid Brass Chrome Plated Lever Handles w/ VR Snake Eye Screws, Cerama Cartridges & B-0199-08F-10 Vandal Resistant 1.0 GPM Aerator

Drawn: DHL	Checked KJG	Scale: 1:4
Approved JHB	Date: 05/11/09	



# T&S BRASS AND BRONZE WORKS, INC.

2 Saddleback Cove / P.O. Box 1088  
Travelers Rest, SC 29690

Model No.

**B-0871-CR**

Item No.

Travelers Rest, SC: 800-476-4103 • Simi Valley, CA: 800-423-0150 • Fax: 864-834-3518 • www.tsbrass.com



**ADA Compliant**

This Space for Architect/Engineer Approval

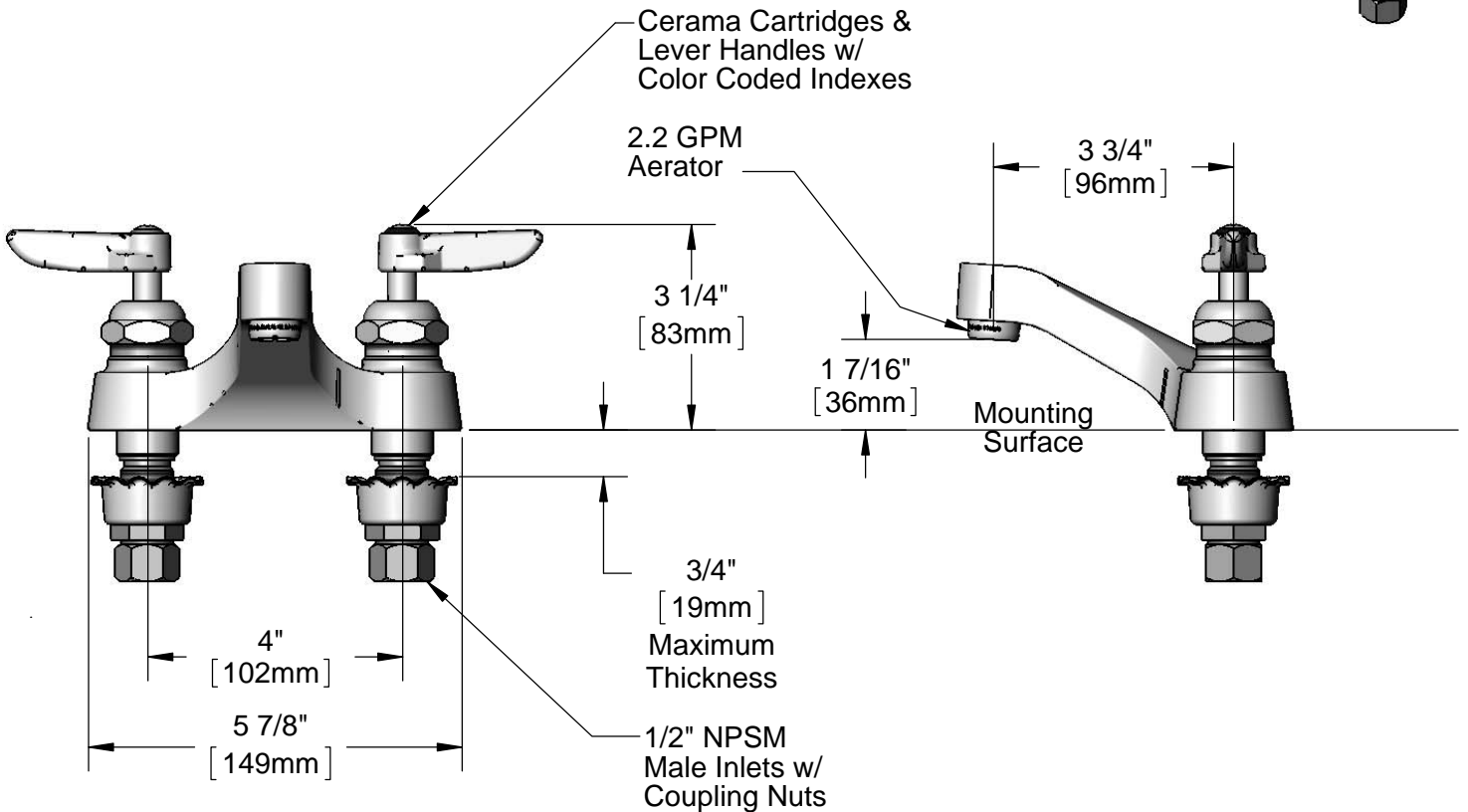
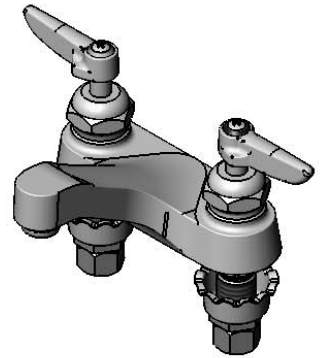
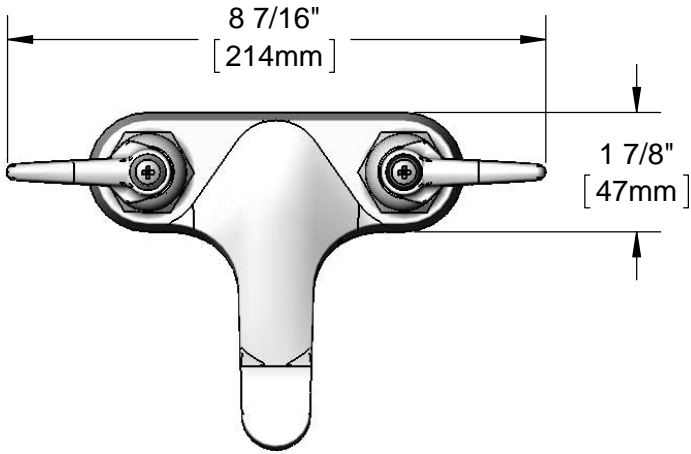
Job Name \_\_\_\_\_ Date \_\_\_\_\_

Model Specified \_\_\_\_\_ Quantity \_\_\_\_\_

Customer/Wholesaler \_\_\_\_\_

Contractor \_\_\_\_\_

Architect/Engineer \_\_\_\_\_



**Rough-In Requirement:**  
(2)  $\phi$  1 1/8" [29mm] Mounting Holes

**Product Specifications:**  
4" Centerset Deck Mount Faucet, Cerama Cartridges, Lever Handles,  
2.2 GPM Aerator & 1/2" NPSM Male Inlets w/ Coupling Nuts

**Product Compliance:**  
ASME A112.18.1 / CSA B125.1  
NSF 61 - Section 9  
NSF 372 (Low Lead Content)  
ANSI A117.1 (ADA)

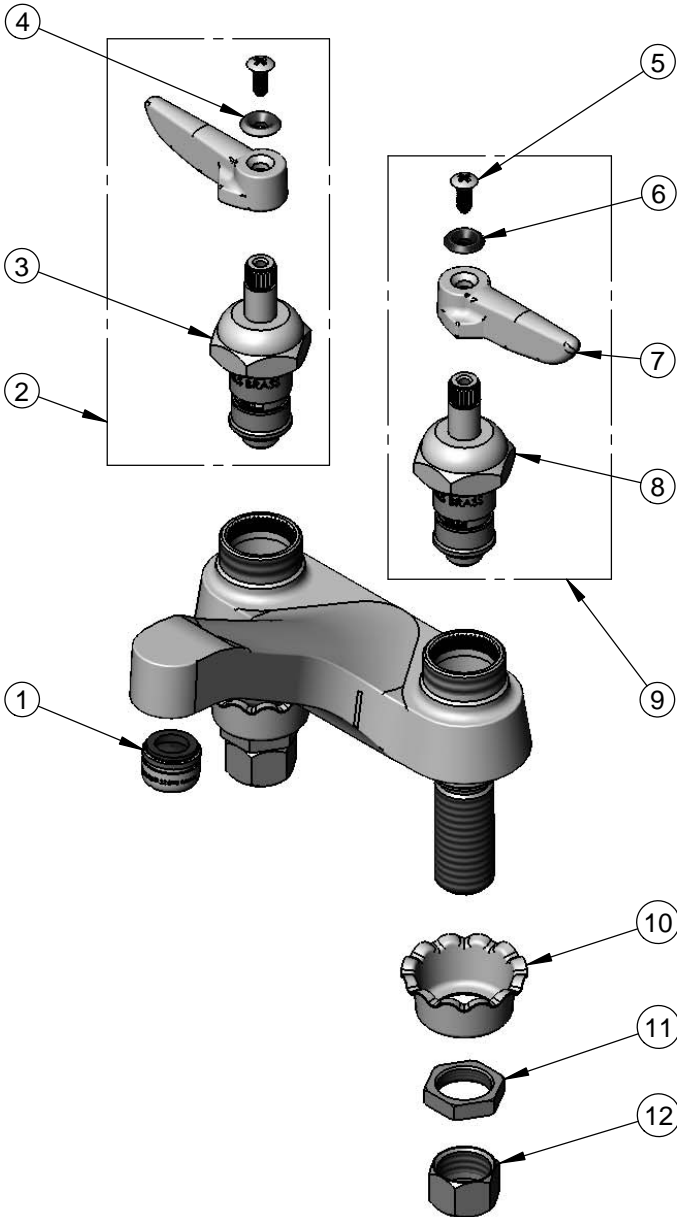


**T&S BRASS AND BRONZE WORKS, INC.**  
 2 Saddleback Cove / P.O. Box 1088  
 Travelers Rest, SC 29690

Model No.  
**B-0871-CR**  
 Item No.

Travelers Rest, SC: 800-476-4103 • Simi Valley, CA: 800-423-0150 • Fax: 864-834-3518 • www.tsbrass.com

ITEM NO.	SALES NO.	DESCRIPTION
1	B-0199-03	2.2 GPM Aerator, 13/16-27 UN Male
2	012444-25	Cerama Cartridge, RTC w/ Handle, Index & Screw
3	011278-25	Cerama Cartridge, RTC
4	001661-45	Red Index-HW
5	000922-45	Lever Handle Screw
6	001660-45	Blue Index-CW
7	001638-45	Lever Handle
8	011279-25	Cerama Cartridge, LTC
9	012445-25	Cerama Cartridge, LTC w/ Handle, Index & Screw
10	001000-45	Rosette Washer
11	002954-45	Shank Lock Nut
12	000958-20	Coupling Nut



Product Specifications:  
 4" Centerset Deck Mount Faucet, Cerama Cartridges, Lever Handles,  
 2.2 GPM Aerator & 1/2" NPSM Male Inlets w/ Coupling Nuts

Product Compliance:  
 ASME A112.18.1 / CSA B125.1  
 NSF 61 - Section 9  
 NSF 372 (Low Lead Content)  
 ANSI A117.1 (ADA)





T&S BRASS AND BRONZE WORKS, INC.

2 SADDLEBACK COVE / P.O. BOX 1088 / TRAVELERS REST, SC 29690

PHONE 800-476-4103

FAX 864- 834-3518



REG.#A2601  
ISO #9002

Model No.

B-0871-CR-LF05

Item No.:

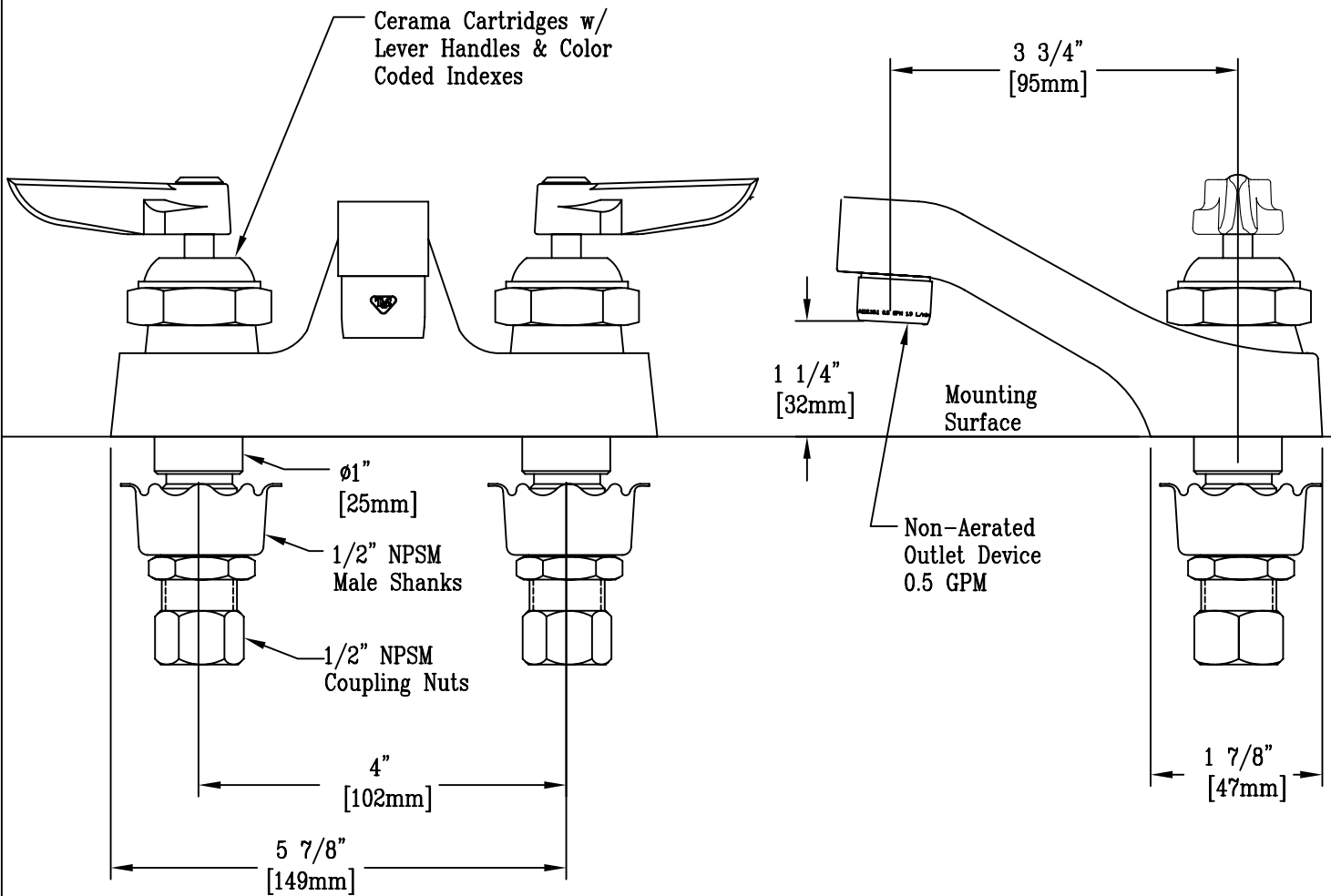
Job Name:

Architect/Engineer Approval:

Notes:



ADA Compliant



Note: Rough-In Requirement  
Ø1 1/8" [29mm] Holes

Product Description:  
4" Centerset Mixing Faucet w/ 1/2" NPSM Male Shanks,  
Cerama Cartridges, Lever Handles & 0.5 GPM Non-Aerated  
Outlet Device

Drawn:

KJG

Checked

ARH

Scale:

1 : 2

Approved

JHB

Date:

3/25/09



# T&S BRASS AND BRONZE WORKS, INC.

2 Saddleback Cove / P.O. Box 1088  
Travelers Rest, SC 29690



REG. #A2601  
ISO #9001

Model No.  
**B-0871-CR-WS**

Item No.

Travelers Rest, SC: 800-476-4103 Simi Valley, CA: 800-423-0150 Fax: 864-834-3518 www.tsbrass.com

This Space for Architect/Engineer Approval

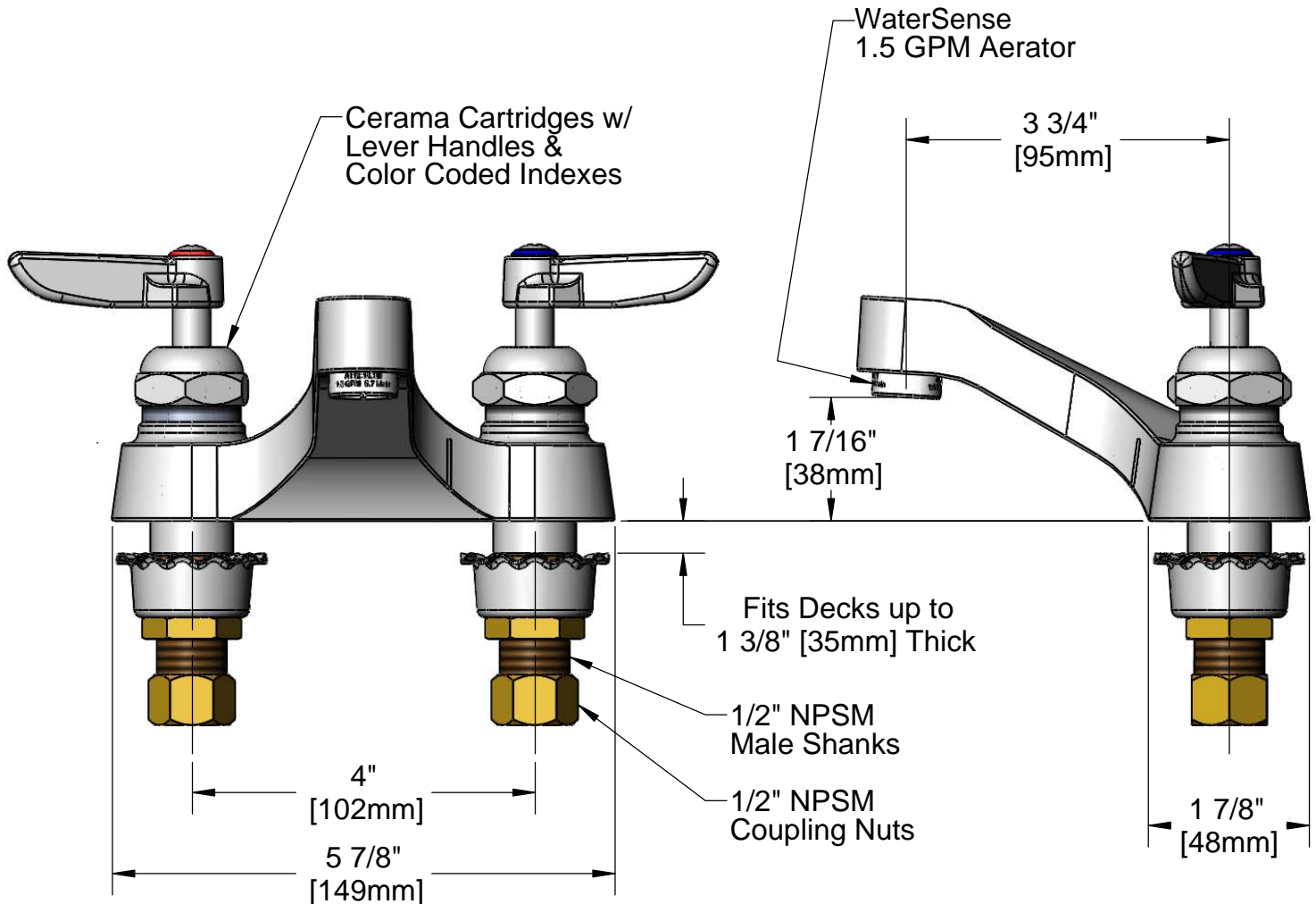
Job Name \_\_\_\_\_ Date \_\_\_\_\_

Model Specified \_\_\_\_\_ Quantity \_\_\_\_\_

Customer/Wholesaler \_\_\_\_\_

Contractor \_\_\_\_\_

Architect/Engineer \_\_\_\_\_



Rough-in:  $\phi$  1 1/8" [29mm] Holes

Product Specifications:

**4" Centerset Commercial Mixing Faucet w/ Cerama Cartridges, Lever Handles & 1.5 GPM Aerator**

Drawn <b>KJG</b>	Checked <b>GEF</b>	Approved <b>JHB</b>
Scale: <b>1:2</b>		Date: <b>06/16/11</b>



**T&S BRASS AND BRONZE WORKS, INC.**

2 Saddleback Cove / P.O. Box 1088  
Travelers Rest, SC 29690



REG. #A2601  
ISO #9001

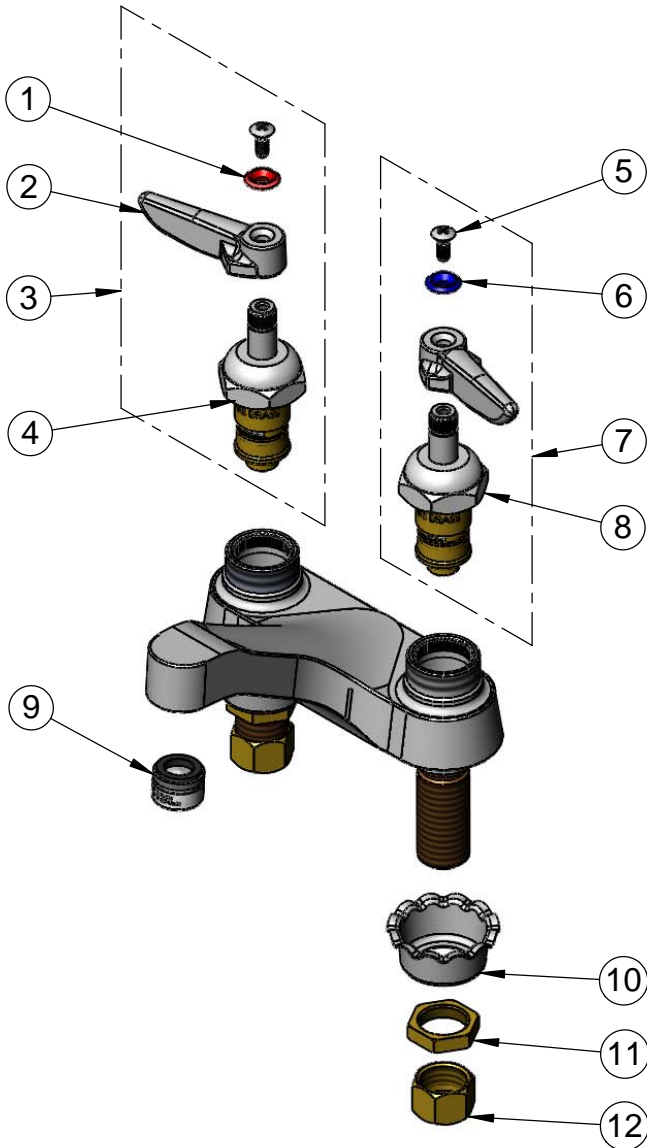
Model No.

**B-0871-CR-WS**

Item No.

Travelers Rest, SC: 800-476-4103 Simi Valley, CA: 800-423-0150 Fax: 864-834-3518 www.tsbrass.com

ITEM NO.	SALES NO.	DESCRIPTION
1	001661-45	Red Index-HW
2	001638-45	Lever Handle
3	012444-25	Hot Ceramic Cartridge w/ Handle, Index & Screw
4	011278-45	Ceramic Cartridge, Hot
5	000922-45	Lever Handle Screw
6	001660-45	Blue Index-CW
7	012445-25	Cold Ceramic Cartridge w/ Handle, Index & Screw
8	011279-25	Ceramic Cartridge, Cold
9	B-0199-03-WS	1.5 GPM Aerator, 13/16-27 Male
10	001000-45	Rosette Washer
11	002954-45	Shank Lock Nut
12	000958-20	Coupling Nut



Product Specifications:

4" Centerset Commercial Mixing Faucet w/ Cerama Cartridges, Lever Handles & 1.5 GPM Aerator

Drawn	Checked	Approved
<b>KJG</b>	<b>GEF</b>	<b>JHB</b>
Scale:		Date:
<b>NTS</b>		<b>06/16/11</b>



# T&S BRASS AND BRONZE WORKS, INC.

2 Saddleback Cove / P.O. Box 1088  
Travelers Rest, SC 29690



REG. #A2601  
ISO #9001

Model No.

**B-0871-F05**

Item No.

Travelers Rest, SC: 800-476-4103 Simi Valley, CA: 800-423-0150 Fax: 864-834-3518 www.tsbrass.com

This Space for Architect/Engineer Approval

Job Name \_\_\_\_\_ Date \_\_\_\_\_

Model Specified \_\_\_\_\_ Quantity \_\_\_\_\_

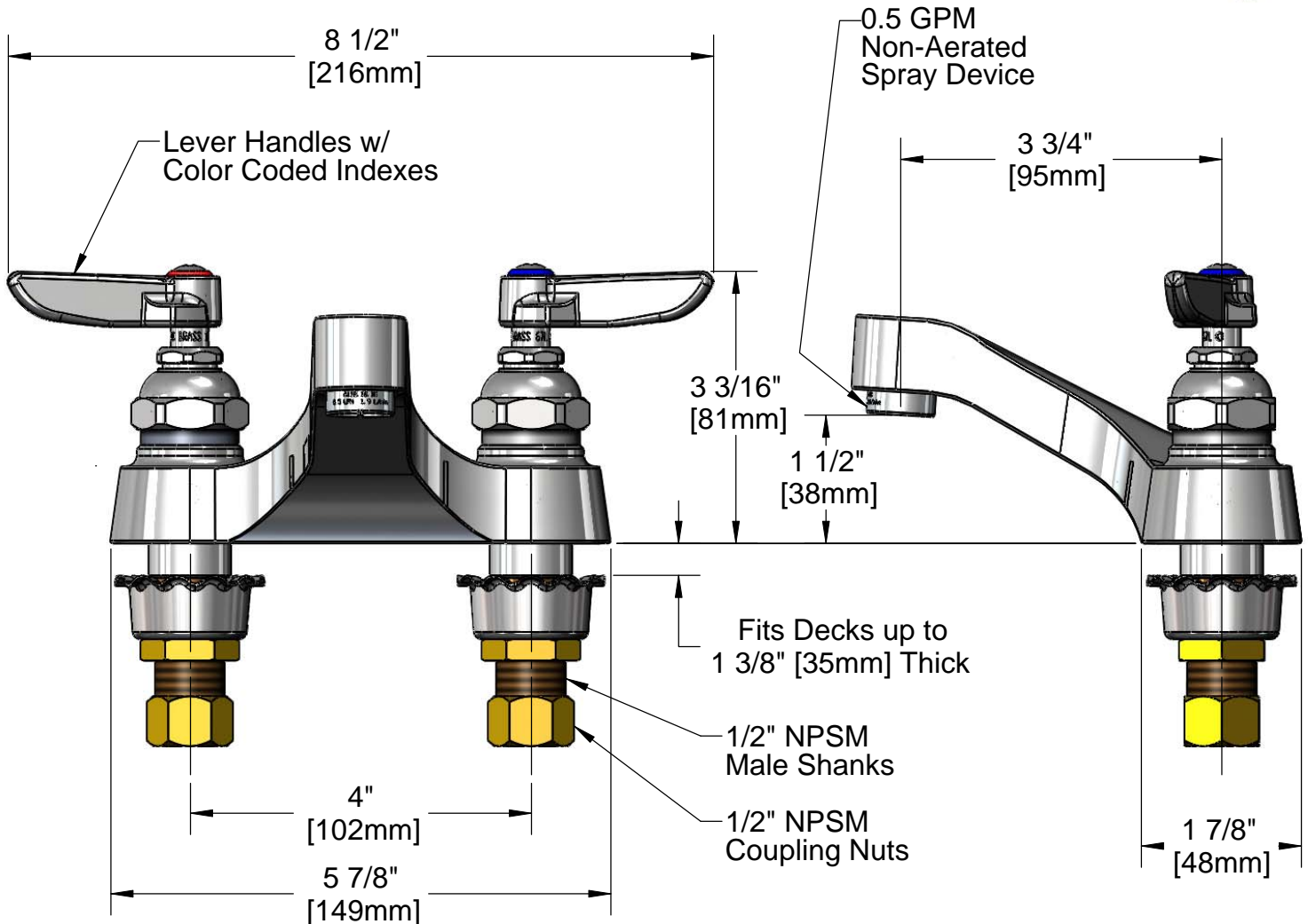
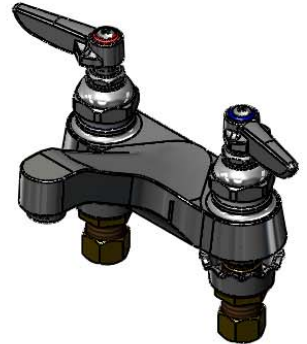
Customer/Wholesaler \_\_\_\_\_

Contractor \_\_\_\_\_

Architect/Engineer \_\_\_\_\_



**ADA Compliant**



Rough-in:  $\phi$  1 1/8" [29mm] Holes

Product Specifications:

**4" Centerset Commercial Mixing Faucet with Eterna Cartridges, Lever Handles and 0.5 GPM Non-Aerated Spray Device**

Drawn	Checked	Approved
<b>DMH</b>	<b>KJG</b>	<b>JHB</b>
Scale:	Date:	
<b>1:2</b>	<b>07/09/10</b>	



**T&S BRASS AND BRONZE WORKS, INC.**

2 Saddleback Cove / P.O. Box 1088  
Travelers Rest, SC 29690



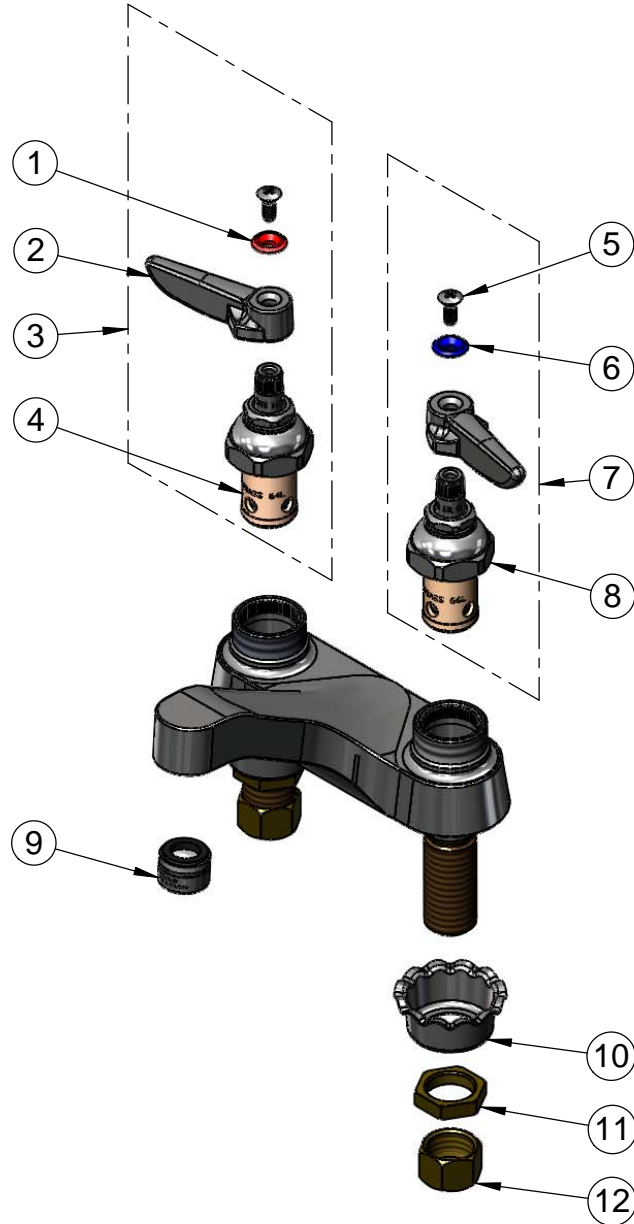
REG. #A2601  
ISO #9001

Model No.

**B-0871-F05**

Item No.

Travelers Rest, SC: 800-476-4103 Simi Valley, CA: 800-423-0150 Fax: 864-834-3518 www.tsbrass.com



ITEM NO.	SALES NO.	DESCRIPTION
1	001661-45	Red Index-HW
2	001638-45	Lever Handle
3	002714-40	Hot Eterna Spindle Asm w/ Handle, Index & Screw
4	005960-40	Spindle Asm, Eterna "Hot"
5	000922-45	Lever Handle Screw
6	001660-45	Blue Index-CW
7	002713-40	Cold Eterna Spindle Asm w/ Handle, Index & Screw
8	005959-40	Spindle Asm, Eterna "Cold"
9	B-0199-03-N05	0.5 GPM Spray Device, 13/16-27 Male
10	001000-45	Rosette Washer
11	002954-45	Shank Lock Nut
12	000958-20	Coupling Nut

Product Specifications:

4" Centerset Commercial Mixing Faucet with Eterna Cartridges, Lever Handles and 0.5 GPM Non-Aerated Spray Device

Drawn	Checked	Approved
<b>DMH</b>	<b>KJG</b>	<b>JHB</b>
Scale:		Date:
<b>NTS</b>		<b>07/09/10</b>



# T&S BRASS AND BRONZE WORKS, INC.

2 Saddleback Cove / P.O. Box 1088  
Travelers Rest, SC 29690



REG. #A2601  
ISO #9001

Model No.

**B-0871-VF05**

Item No.

Travelers Rest, SC: 800-476-4103 Simi Valley, CA: 800-423-0150 Fax: 864-834-3518 www.tsbrass.com

This Space for Architect/Engineer Approval

Job Name \_\_\_\_\_ Date \_\_\_\_\_

Model Specified \_\_\_\_\_ Quantity \_\_\_\_\_

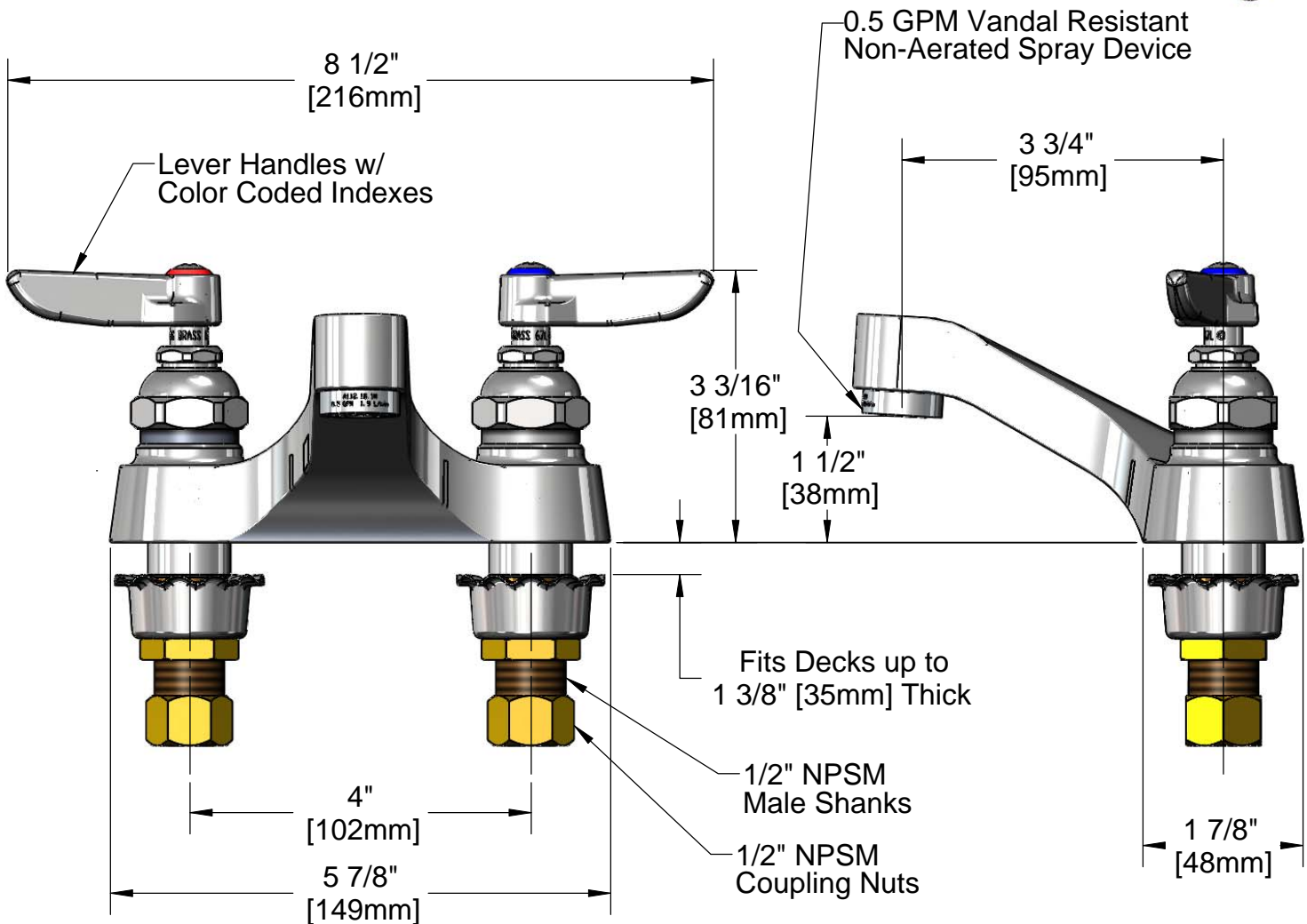
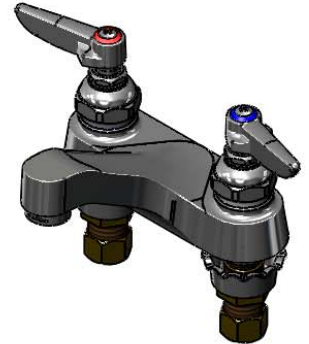
Customer/Wholesaler \_\_\_\_\_

Contractor \_\_\_\_\_

Architect/Engineer \_\_\_\_\_



**ADA Compliant**



Rough-in:  $\phi$  1 1/8" [29mm] Holes

Product Specifications:

**4" Centerset Commercial Mixing Faucet with Eterna Cartridges, Lever Handles and 0.5 GPM Vandal Resistant Non-Aerated Spray Device**

Drawn	Checked	Approved
DMH	KJG	JHB
Scale:	Date:	
1:2	07/09/10	



**T&S BRASS AND BRONZE WORKS, INC.**

2 Saddleback Cove / P.O. Box 1088  
Travelers Rest, SC 29690



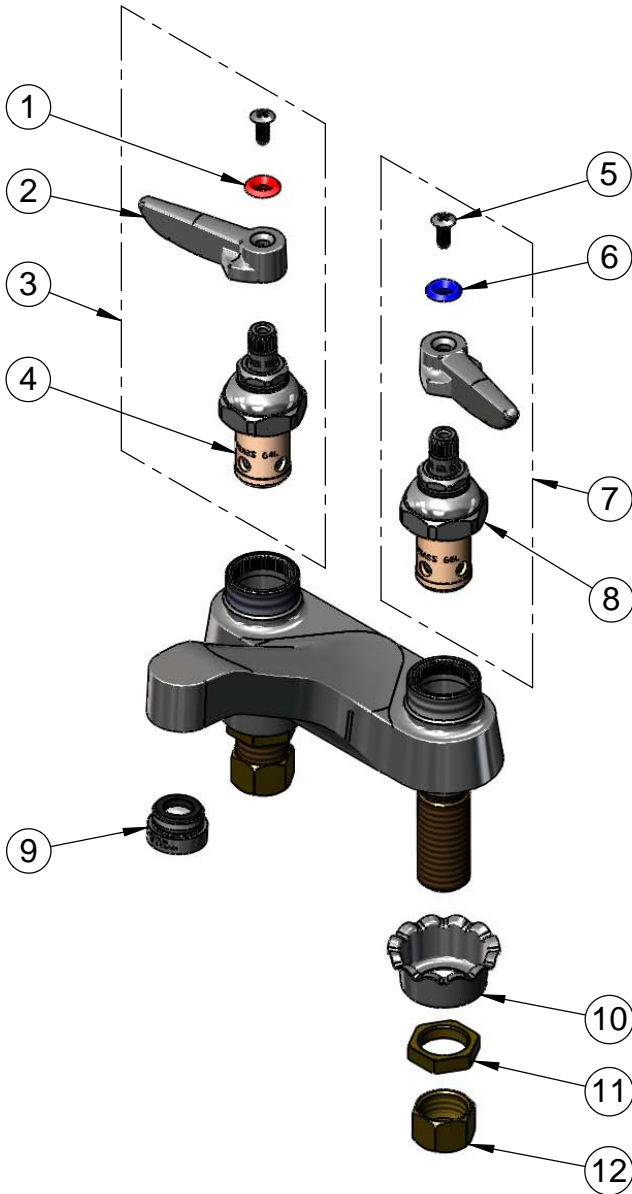
REG. #A2601  
ISO #9001

Model No.

**B-0871-VF05**

Item No.

Travelers Rest, SC: 800-476-4103 Simi Valley, CA: 800-423-0150 Fax: 864-834-3518 www.tsbrass.com



ITEM NO.	SALES NO.	DESCRIPTION
1	001661-45	Red Index-HW
2	001638-45	Lever Handle
3	002714-40	Hot Eterna Spindle Asm w/ Handle, Index & Screw
4	005960-40	Spindle Asm, Eterna "Hot"
5	000922-45	Lever Handle Screw
6	001660-45	Blue Index-CW
7	002713-40	Cold Eterna Spindle Asm w/ Handle, Index & Screw
8	005959-40	Spindle Asm, Eterna "Cold"
9	B-0199-08-N05	0.5 GPM VR Spray Device, 13/16-27 Male
10	001000-45	Rosette Washer
11	002954-45	Shank Lock Nut
12	000958-20	Coupling Nut



015425-45  
Vandal Resistant Key  
(Included with Spray Device)

Product Specifications:

4" Centerset Commercial Mixing Faucet with Eterna Cartridges, Lever Handles and 0.5 GPM Vandal Resistant Non-Aerated Spray Device

Drawn	Checked	Approved
DMH	KJG	JHB
Scale:		Date:
NTS		07/09/10



# T&S BRASS AND BRONZE WORKS, INC.

2 Saddleback Cove / P.O. Box 1088  
Travelers Rest, SC 29690

Model No.

**B-0871-VF22-QT**

Item No.

Travelers Rest, SC: 800-476-4103 • Simi Valley, CA: 800-423-0150 • Fax: 864-834-3518 • www.tsbrass.com



**ADA Compliant**

This Space for Architect/Engineer Approval

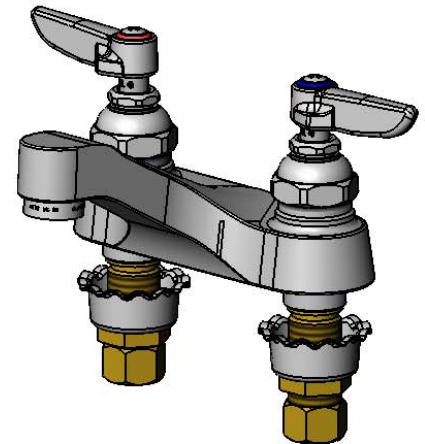
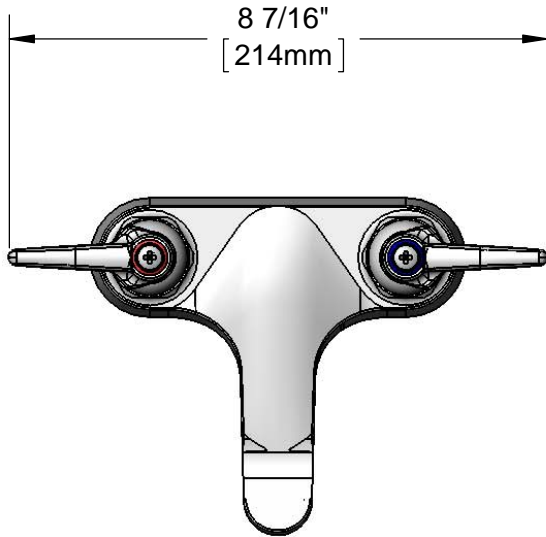
Job Name \_\_\_\_\_ Date \_\_\_\_\_

Model Specified \_\_\_\_\_ Quantity \_\_\_\_\_

Customer/Wholesaler \_\_\_\_\_

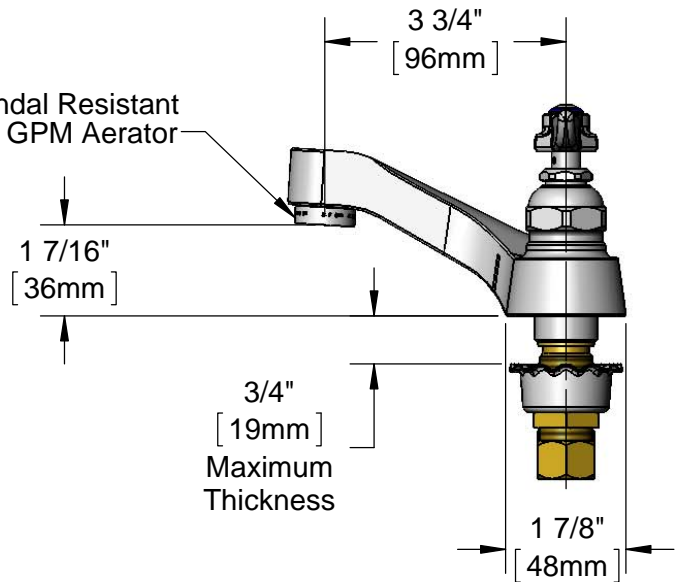
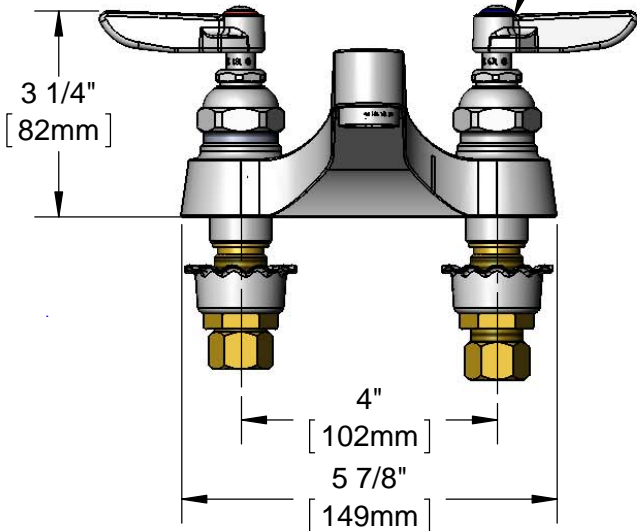
Contractor \_\_\_\_\_

Architect/Engineer \_\_\_\_\_



Quarter Turn Eterna Cartridges & Lever Handles w/ Color Coded Indexes

Vandal Resistant 2.2 GPM Aerator



Rough-In Requirement:  
(2)  $\phi$ 1 1/8" [ $\phi$ 29mm] Mounting Holes

Product Specifications:  
4" Centerset Deck Mount Faucet w/ Quarter Turn Eterna Cartridges, Lever Handles, VR 2.2 GPM Aerator & 1/2" NPSM Male Inlets w/ Coupling Nuts

Product Compliance:  
ASME A112.18.1 / CSA B125.1  
NSF 61 - Section 9  
NSF 372 (Low Lead Content)  
ANSI A117.1 (ADA)





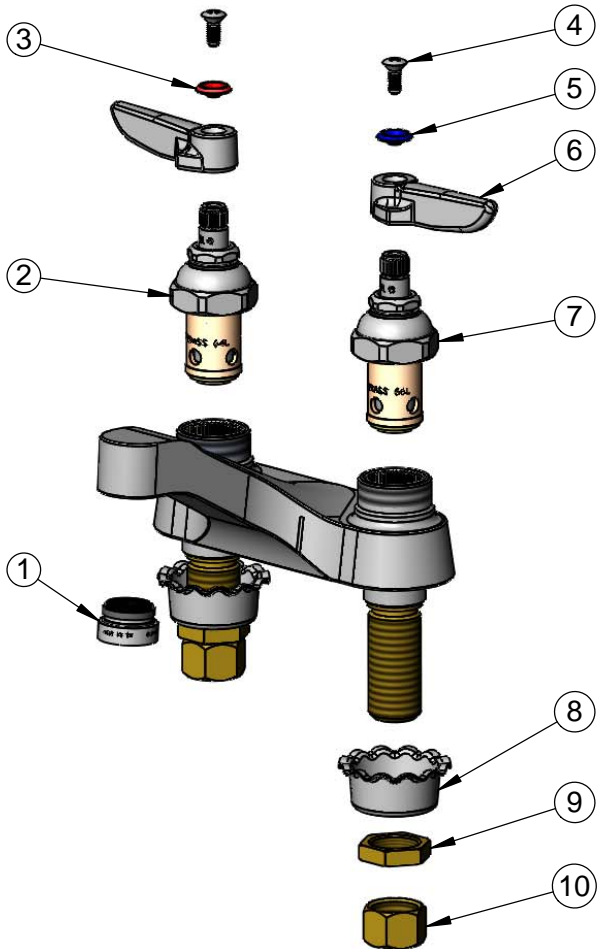
**T&S BRASS AND BRONZE WORKS, INC.**  
 2 Saddleback Cove / P.O. Box 1088  
 Travelers Rest, SC 29690

Model No.  
**B-0871-VF22-QT**

Item No.

Travelers Rest, SC: 800-476-4103 • Simi Valley, CA: 800-423-0150 • Fax: 864-834-3518 • www.tsbrass.com

ITEM NO.	SALES NO.	DESCRIPTION
1	B-0199-08	VR 2.2 GPM Aerator, 13/16-27 UN Male w/ Key
2	005960-40QT	Quarter-Turn Eterna Cartridge, RTC
3	001661-45	Red Index-HW
4	000922-45	Lever Handle Screw
5	001660-45	Blue Index-CW
6	001638-45	Lever Handle
7	005959-40QT	Quarter-Turn Eterna Cartridge, LTC
8	001000-45	Rosette Washer
9	002954-45	Shank Lock Nut
10	000958-20	Coupling Nut



Product Specifications:  
 4" Centerset Deck Mount Faucet w/ Quarter Turn Eterna Cartridges, Lever Handles, VR 2.2 GPM Aerator & 1/2" NPSM Male Inlets w/ Coupling Nuts

Product Compliance:  
 ASME A112.18.1 / CSA B125.1  
 NSF 61 - Section 9  
 NSF 372 (Low Lead Content)  
 ANSI A117.1 (ADA)



**T&S BRASS AND BRONZE WORKS, INC.**  
 2 Saddleback Cove / P.O. Box 1088  
 Travelers Rest, SC 29690

Model No.  
**B-0871-VR-CH-QT**

Item No.

Travelers Rest, SC: 800-476-4103 • Simi Valley, CA: 800-423-0150 • Fax: 864-834-3518 • www.tsbrass.com



**ADA Compliant**

This Space for Architect/Engineer Approval

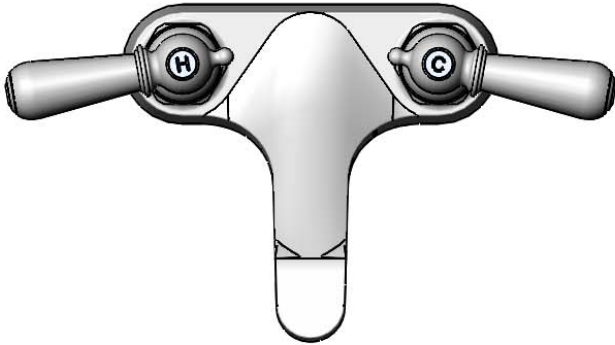
Job Name \_\_\_\_\_ Date \_\_\_\_\_

Model Specified \_\_\_\_\_ Quantity \_\_\_\_\_

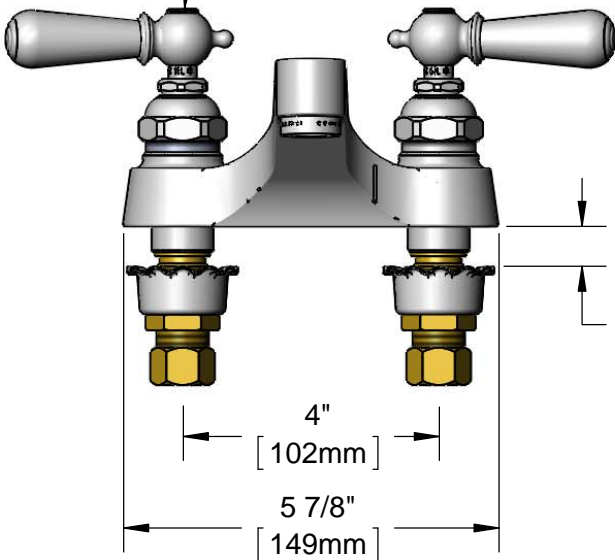
Customer/Wholesaler \_\_\_\_\_

Contractor \_\_\_\_\_

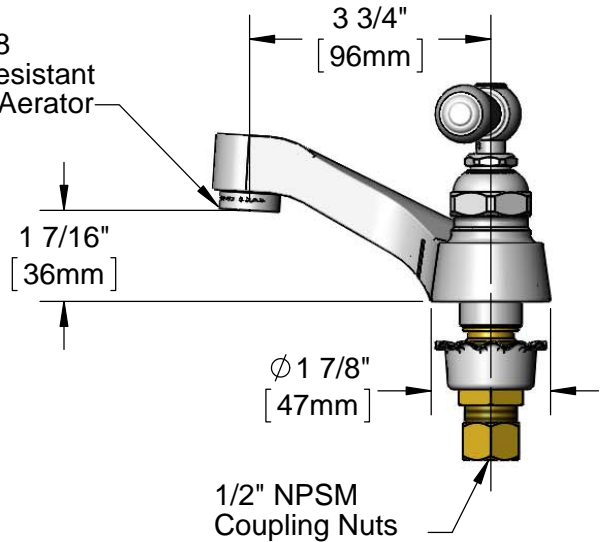
Architect/Engineer \_\_\_\_\_



Quarter-Turn Eterna Cartridges w/  
 Decorative Club Handles,  
 Coded Indexes & Vandal Resistant  
 Handle Screws



B-0199-08  
 Vandal Resistant  
 2.2 GPM Aerator



3/4"  
 [19mm]  
 Maximum  
 Thickness

1/2" NPSM  
 Coupling Nuts

Furnished w/  
 010587-45  
 VR Hex Key for VR Screws

Furnished w/  
 015425-45  
 VR Aerator Key

Rough-in Requirement:  
 (2)  $\phi$  1 1/8" [29mm] Holes

Product Specifications:  
 4" Centerset Mixing Faucet w/ Quarter-Turn Eterna Cartridges, Decorative Club Handles, Vandal Resistant Screws and VR 2.2 GPM Aerator

Product Compliance:  
 ASME A112.18.1 / CSA B125.1  
 NSF 61 - Section 9  
 NSF 372 (Low Lead Content)  
 ANSI A117.1 (ADA)



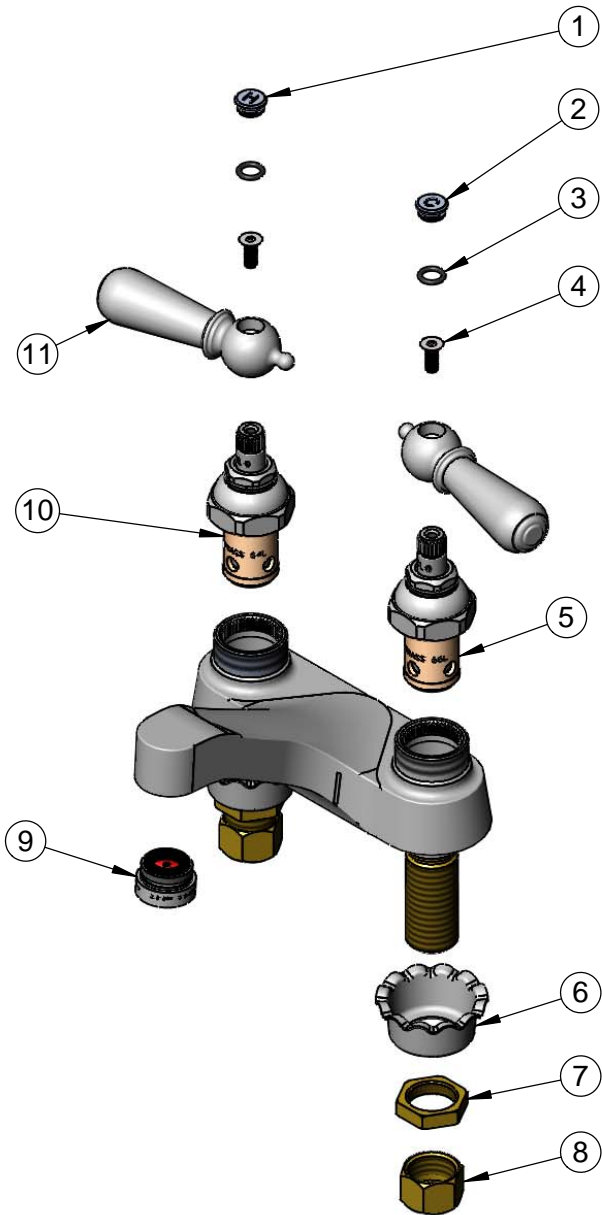
**T&S BRASS AND BRONZE WORKS, INC.**  
 2 Saddleback Cove / P.O. Box 1088  
 Travelers Rest, SC 29690

Model No.  
**B-0871-VR-CH-QT**

Item No.

Travelers Rest, SC: 800-476-4103 • Simi Valley, CA: 800-423-0150 • Fax: 864-834-3518 • www.tsbrass.com

ITEM NO.	SALES NO.	DESCRIPTION
1	009303-41	Decorative Cap Insert, Hot
2	009304-41	Decorative Cap Insert, Cold
3	001066-45	O-Ring
4	B-VRS	Pin-In-Socket Screw w/ Hex Key
5	005959-40QT	Quarter-Turn Eterna Cartridge, LTC
6	001000-45	Rosette Washer
7	002954-45	Shank Lock Nut
8	000958-20	Coupling Nut
9	B-0199-08	VR 2.2 GPM Aerator, 13/16-27 UN Male w/ Key
10	005960-40QT	Quarter-Turn Eterna Cartridge, RTC
11	017229-45	Club Handle



010587-45  
VR Hex Key



015425-45  
VR Aerator Key

Product Specifications:  
 4" Centerset Mixing Faucet w/ Quarter-Turn Eterna Cartridges, Decorative Club Handles, Vandal Resistant Screws and VR 2.2 GPM Aerator

Product Compliance:  
 ASME A112.18.1 / CSA B125.1  
 NSF 61 - Section 9  
 NSF 372 (Low Lead Content)  
 ANSI A117.1 (ADA)



# T&S BRASS AND BRONZE WORKS, INC.

2 Saddleback Cove / P.O. Box 1088  
Travelers Rest, SC 29690

Model No.

**B-0871-VRS**

Item No.

Travelers Rest, SC: 800-476-4103 • Simi Valley, CA: 800-423-0150 • Fax: 864-834-3518 • www.tsbrass.com



**ADA Compliant**

This Space for Architect/Engineer Approval

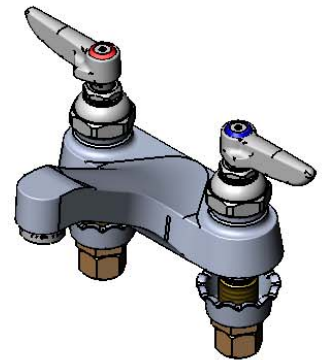
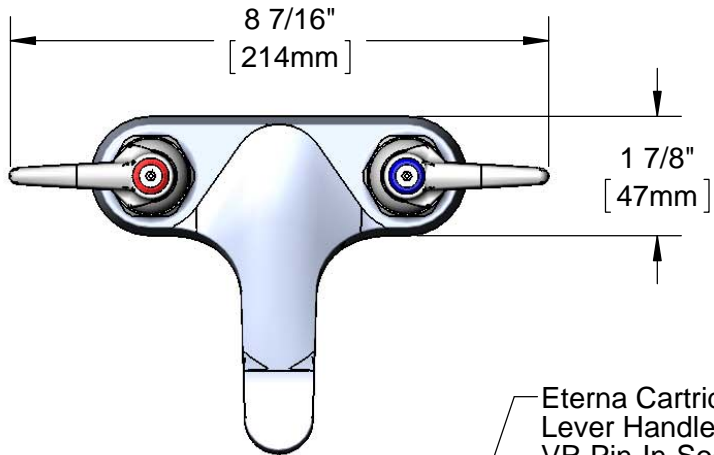
Job Name \_\_\_\_\_ Date \_\_\_\_\_

Model Specified \_\_\_\_\_ Quantity \_\_\_\_\_

Customer/Wholesaler \_\_\_\_\_

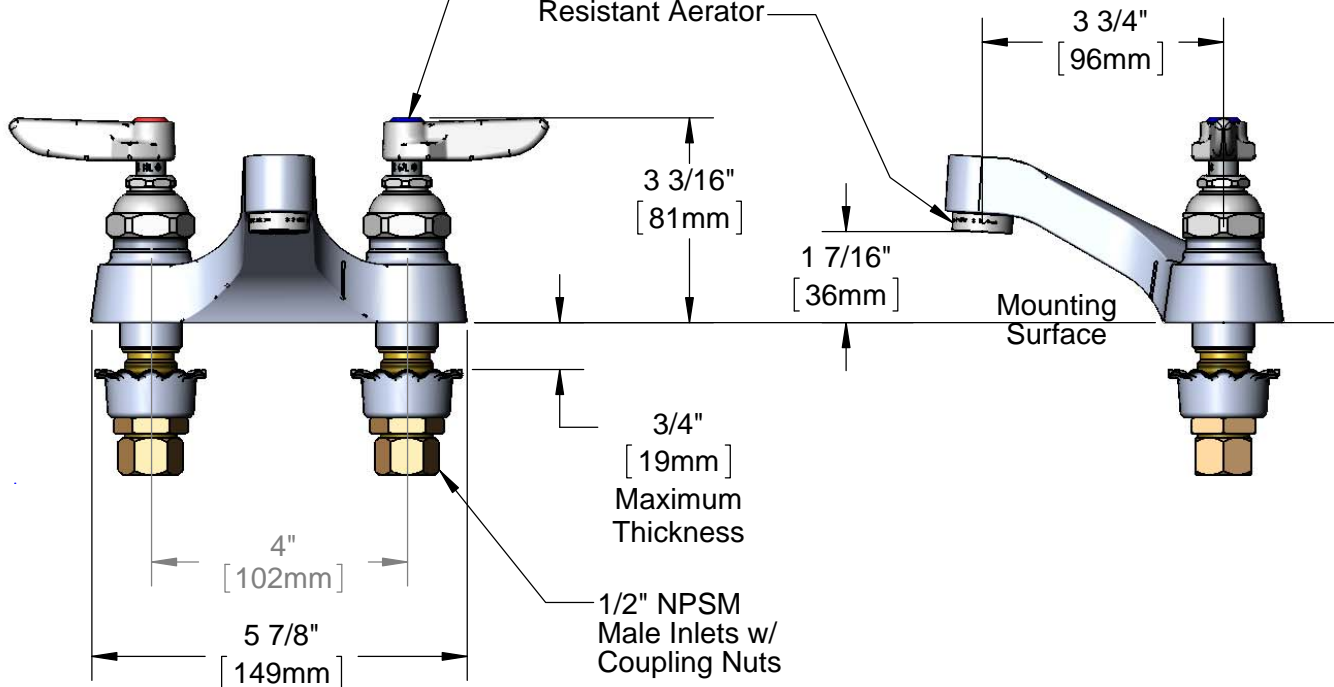
Contractor \_\_\_\_\_

Architect/Engineer \_\_\_\_\_



Eterna Cartridges & Lever Handles w/ VR Pin-In-Socket Screws & Color Coded Indexes

2.2 GPM Vandal Resistant Aerator



**Rough-In Requirement:**  
(2)  $\phi$  1 1/8" [29mm] Mounting Holes

**Product Specifications:**  
4" Centerset Deck Mount Faucet, Eterna Cartridges, Lever Handles, Vandal Resistant Screws, VR 2.2 GPM Aerator & 1/2" NPSM Male Inlets w/ Coupling Nuts

**Product Compliance:**  
ASME A112.18.1 / CSA B125.1  
NSF 61 - Section 9  
NSF 372 (Low Lead Content)  
ANSI A117.1 (ADA)



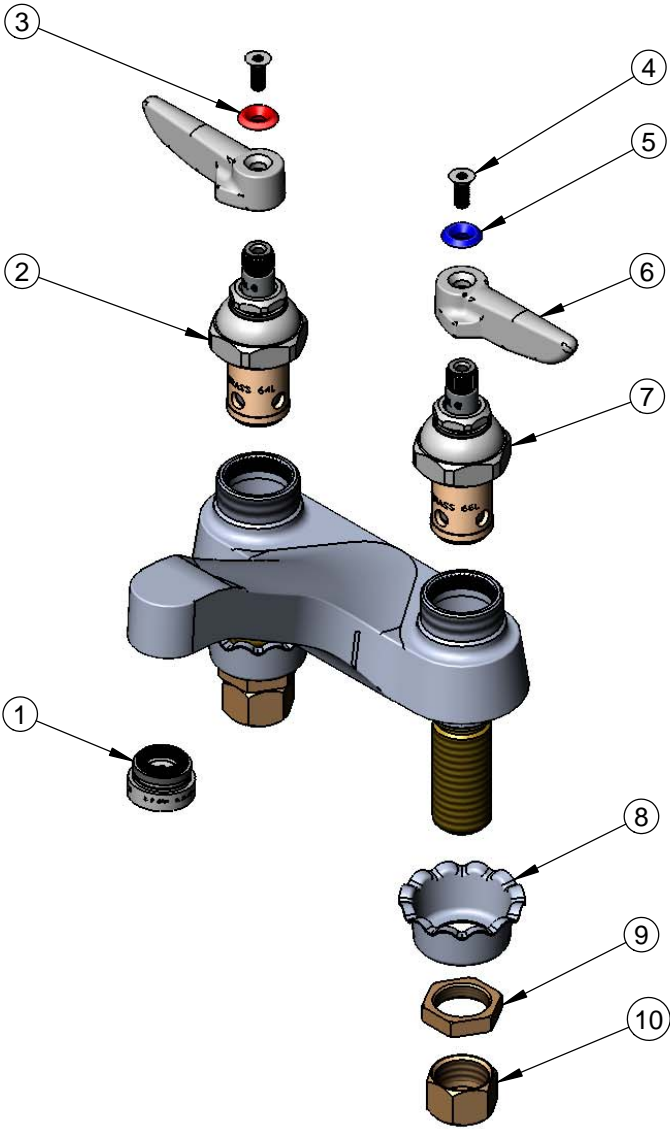
**T&S BRASS AND BRONZE WORKS, INC.**  
 2 Saddleback Cove / P.O. Box 1088  
 Travelers Rest, SC 29690

Model No.  
**B-0871-VRS**

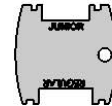
Item No.

Travelers Rest, SC: 800-476-4103 • Simi Valley, CA: 800-423-0150 • Fax: 864-834-3518 • www.tsbrass.com

ITEM NO.	SALES NO.	DESCRIPTION
1	B-0199-08	VR 2.2 GPM Aerator, 13/16-27 UN w/ Key
2	005960-40	Eterna Cartridge, RTC
3	001661-45	Red Index-HW
4	B-VRS	Pin-In-Socket Screw w/ Hex Key
5	001660-45	Blue Index-CW
6	001638-45	Lever Handle
7	005959-40	Eterna Cartridge, LTC
8	001000-45	Rosette Washer
9	002954-45	Shank Lock Nut
10	000958-20	Coupling Nut



010587-45  
 Pin-In-Socket  
 Hex Key  
 (Included)



015425-45  
 Vandal Resistant Key  
 (Included)

Product Specifications:  
 4" Centerset Deck Mount Faucet, Eterna Cartridges, Lever Handles,  
 Vandal Resistant Screws, VR 2.2 GPM Aerator & 1/2" NPSM Male Inlets  
 w/ Coupling Nuts

Product Compliance:  
 ASME A112.18.1 / CSA B125.1  
 NSF 61 - Section 9  
 NSF 372 (Low Lead Content)  
 ANSI A117.1 (ADA)



# T&S BRASS AND BRONZE WORKS, INC.

2 Saddleback Cove / P.O. Box 1088  
Travelers Rest, SC 29690



REG. #A2601  
ISO #9001

Model No.

**B-0871-WS**

Item No.

Travelers Rest, SC: 800-476-4103 Simi Valley, CA: 800-423-0150 Fax: 864-834-3518 www.tsbrass.com

This Space for Architect/Engineer Approval

Job Name \_\_\_\_\_ Date \_\_\_\_\_

Model Specified \_\_\_\_\_ Quantity \_\_\_\_\_

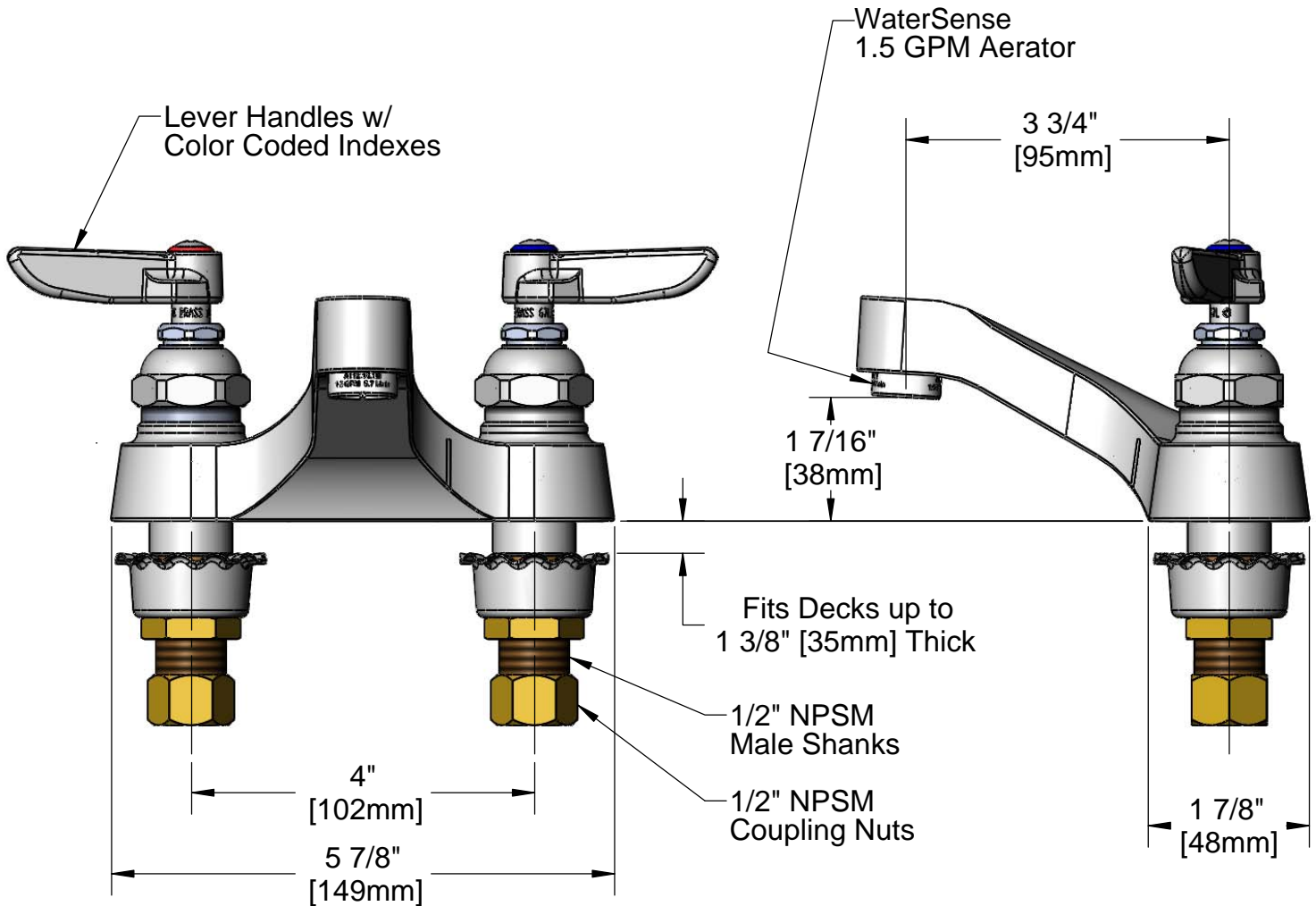
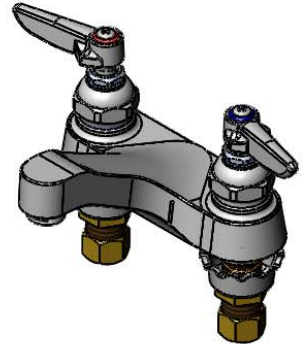
Customer/Wholesaler \_\_\_\_\_

Contractor \_\_\_\_\_

Architect/Engineer \_\_\_\_\_



**ADA Compliant**



Rough-in:  $\phi$  1 1/8" [29mm] Holes

Product Specifications:

**4" Centerset Commercial Mixing Faucet with Eterna Cartridges, Lever Handles and 1.5 GPM Aerator**

Drawn <b>KJG</b>	Checked <b>GEF</b>	Approved <b>JHB</b>
Scale: <b>1:2</b>		Date: <b>06/16/11</b>



**T&S BRASS AND BRONZE WORKS, INC.**

2 Saddleback Cove / P.O. Box 1088  
Travelers Rest, SC 29690



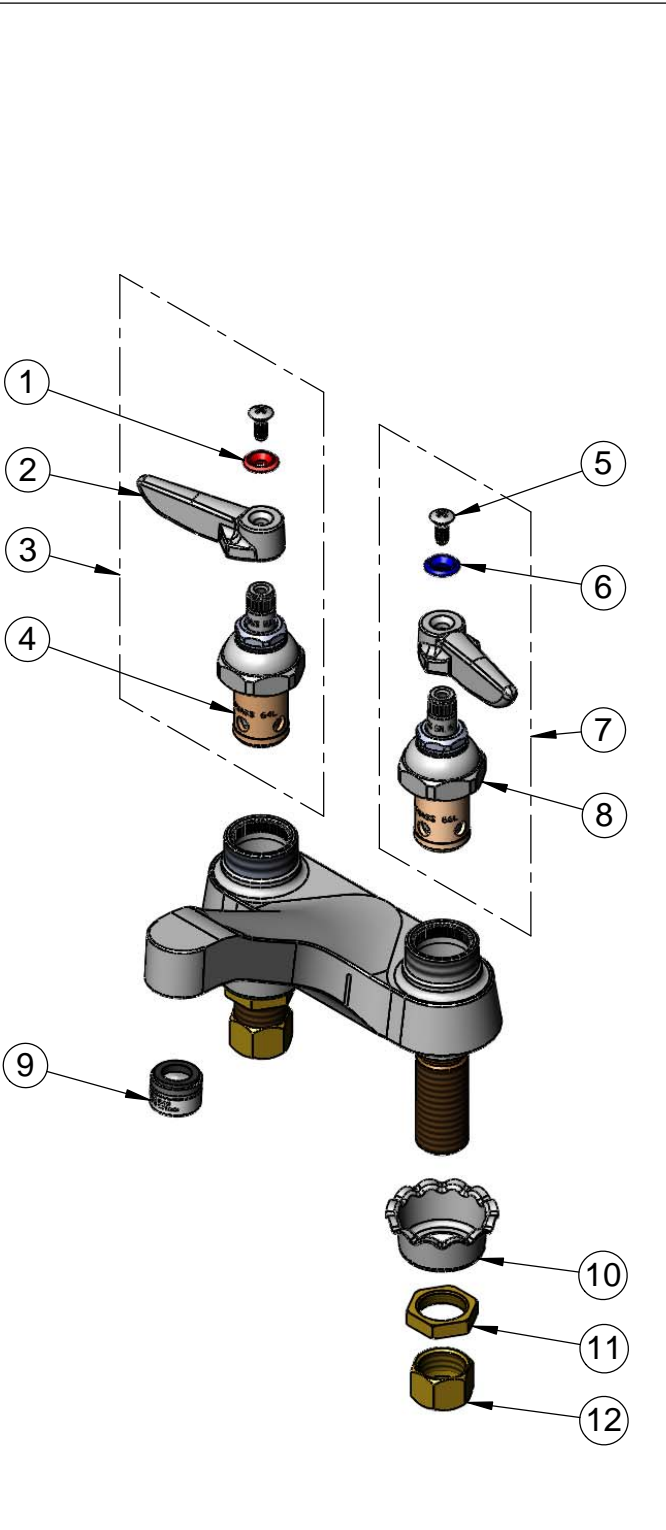
REG. #A2601  
ISO #9001

Model No.

**B-0871-WS**

Item No.

Travelers Rest, SC: 800-476-4103 Simi Valley, CA: 800-423-0150 Fax: 864-834-3518 www.tsbrass.com



ITEM NO.	SALES NO.	DESCRIPTION
1	001661-45	Red Index-HW
2	001638-45	Lever Handle
3	002714-40	Hot Eterna Spindle Asm w/ Handle, Index & Screw
4	005960-40	Spindle Asm, Eterna "Hot"
5	000922-45	Lever Handle Screw
6	001660-45	Blue Index-CW
7	002713-40	Cold Eterna Spindle Asm w/ Handle, Index & Screw
8	005959-40	Spindle Asm, Eterna "Cold"
9	B-0199-03-WS	1.5 GPM Aerator, 13/16-27 Male
10	001000-45	Rosette Washer
11	002954-45	Shank Lock Nut
12	000958-20	Coupling Nut

Product Specifications:  
4" Centerset Commercial Mixing Faucet with Eterna Cartridges, Lever Handles and 1.5 GPM Aerator

Drawn <b>KJG</b>	Checked <b>GEF</b>	Approved <b>JHB</b>
Scale: <b>NTS</b>		Date: <b>06/16/11</b>