



T&S BRASS AND BRONZE WORKS, INC.

2 Saddleback Cove / P.O. Box 1088
Travelers Rest, SC 29690

Model No.

B-0868-04

Item No.

Travelers Rest, SC: 800-476-4103 • Simi Valley, CA: 800-423-0150 • Fax: 864-834-3518 • www.tsbrass.com



ADA Compliant

This Space for Architect/Engineer Approval

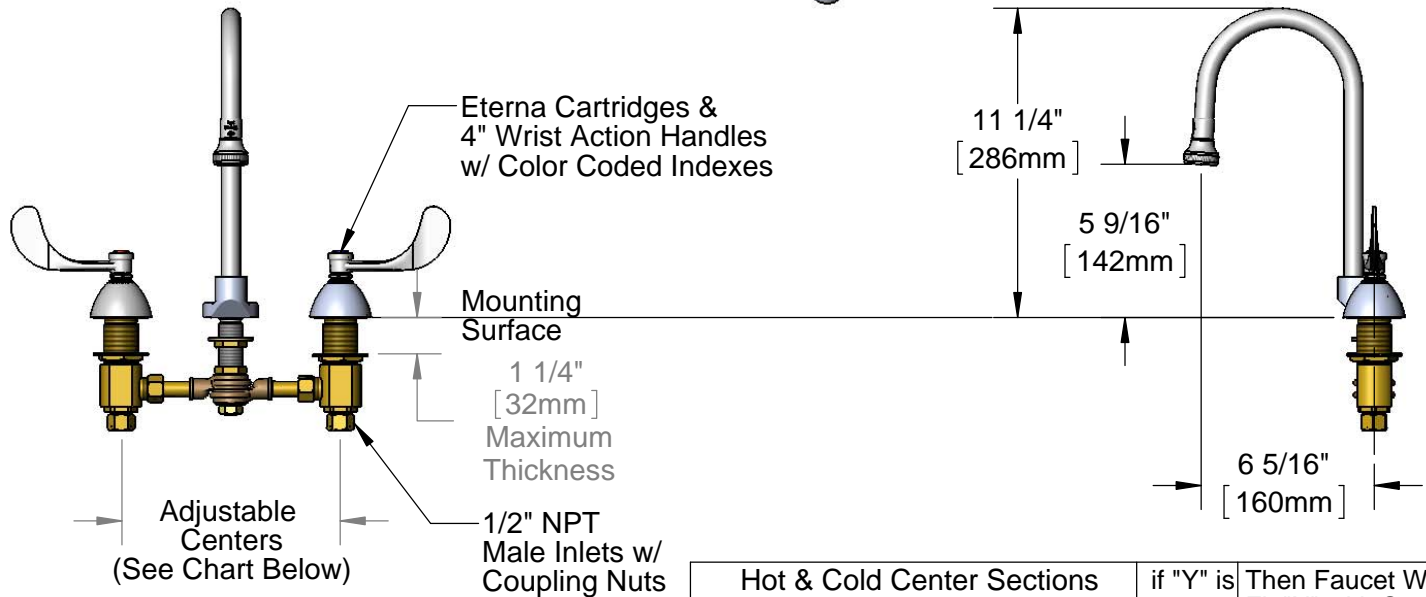
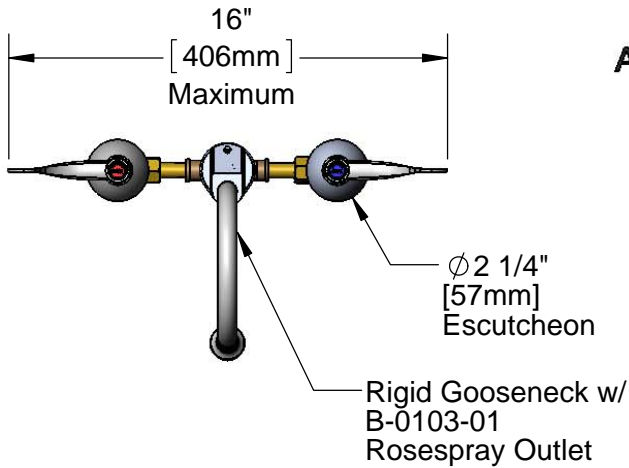
Job Name _____ Date _____

Model Specified _____ Quantity _____

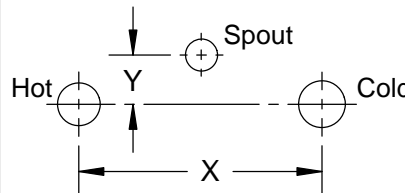
Customer/Wholesaler _____

Contractor _____

Architect/Engineer _____



Hot & Cold Center Sections
Can be at Angle



if "Y" is Then Faucet Will
Fit "X" with Standard
1/4" NPT Cross Pipes
Furnished

1/2" 8"

1" 7 3/4"

1 1/2" 7 3/8"

2" 7"

Rough-In Requirement:

Center Shank: Ø 1" [Ø 25mm] Mounting Hole

Hot/Cold Bodies: Ø 1 1/2" [Ø 38mm] Mounting Holes

Product Specifications:

8" Deck Mount Mixing Faucet, Eterna Cartridges, 4" Wrist Action Handles,
Rigid Gooseneck w/ Rosespray Outlet & 1/2" NPT Male Inlets w/ Coupling Nuts

Product Compliance:

ASME A112.18.1 / CSA B125.1
NSF 61 - Section 9
NSF 372 (Low Lead Content)
ANSI A117.1 (ADA)

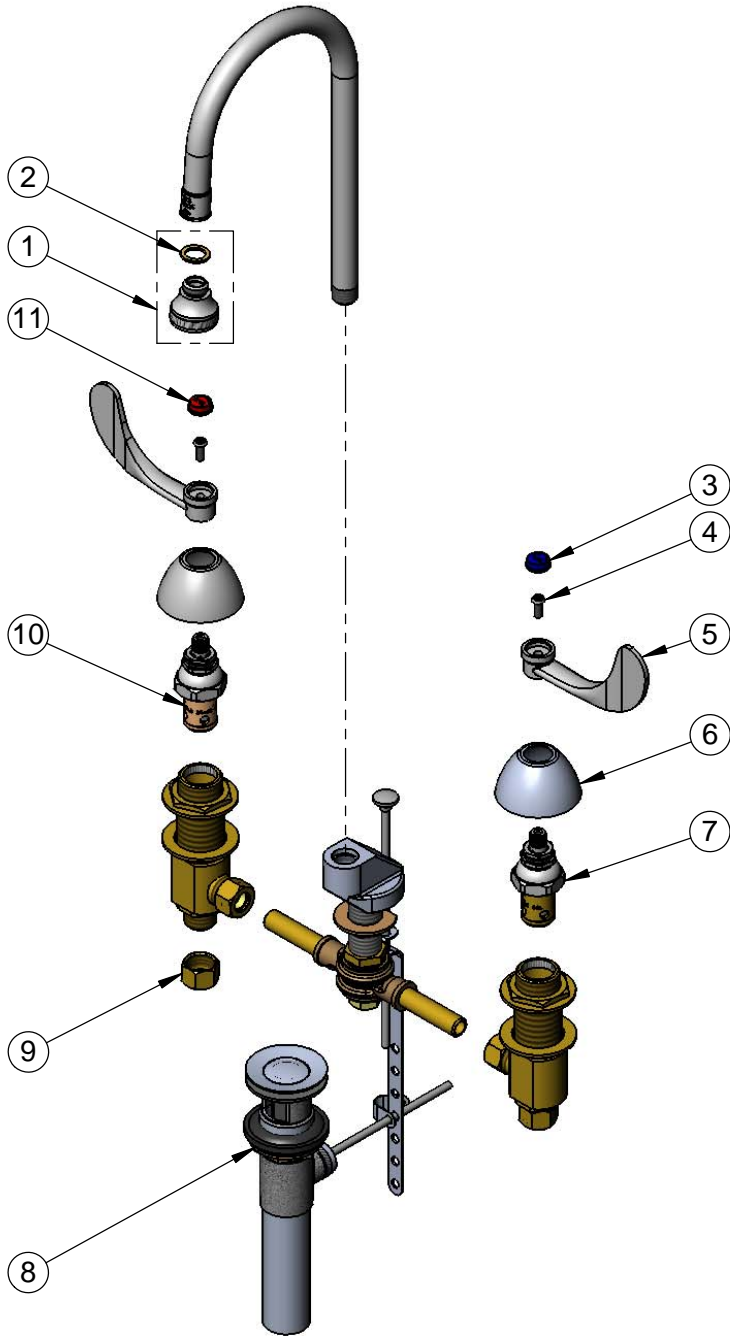


T&S BRASS AND BRONZE WORKS, INC.
 2 Saddleback Cove / P.O. Box 1088
 Travelers Rest, SC 29690

Model No.
B-0868-04
 Item No.

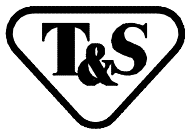
Travelers Rest, SC: 800-476-4103 • Simi Valley, CA: 800-423-0150 • Fax: 864-834-3518 • www.tsbrass.com

ITEM NO.	SALES NO.	DESCRIPTION
1	B-0103-01	Rosespray Outlet, 55/64-27 UN Female
2	001043-45	Washer
3	001686-45	Blue Index - CW
4	000925-45	Lab Handle Screw
5	B-WH4	4" Wrist Action Handle
6	001257-40	Bell Escutcheon
7	006477-40	Eterna Cartridge, LTC (Teflon) w/ Escutcheon Bonnet
8	B-0898	Pop-Up Drain
9	000958-20	Coupling Nut
10	006478-40	Eterna Cartridge, RTC (Teflon) w/ Escutcheon Bonnet
11	001194-45	Red Index - HW



Product Specifications:
 8" Deck Mount Mixing Faucet, Eterna Cartridges, 4" Wrist Action Handles, Rigid Gooseneck w/ Rosespray Outlet & 1/2" NPT Male Inlets w/ Coupling Nuts

Product Compliance:
 ASME A112.18.1 / CSA B125.1
 NSF 61 - Section 9
 NSF 372 (Low Lead Content)
 ANSI A117.1 (ADA)



T&S BRASS AND BRONZE WORKS, INC.

2 SADDLEBACK COVE / P.O. BOX 1088 / TRAVELERS REST, SC 29690

PHONE 800-476-4103

FAX 864-834-3518



REG.#A2601
ISO #9002

Model No.

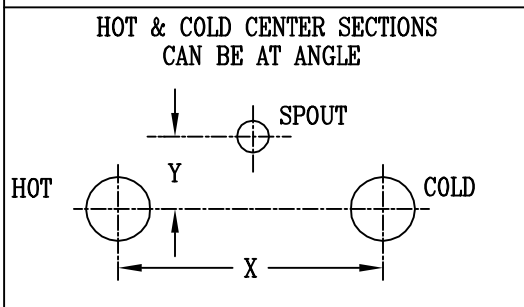
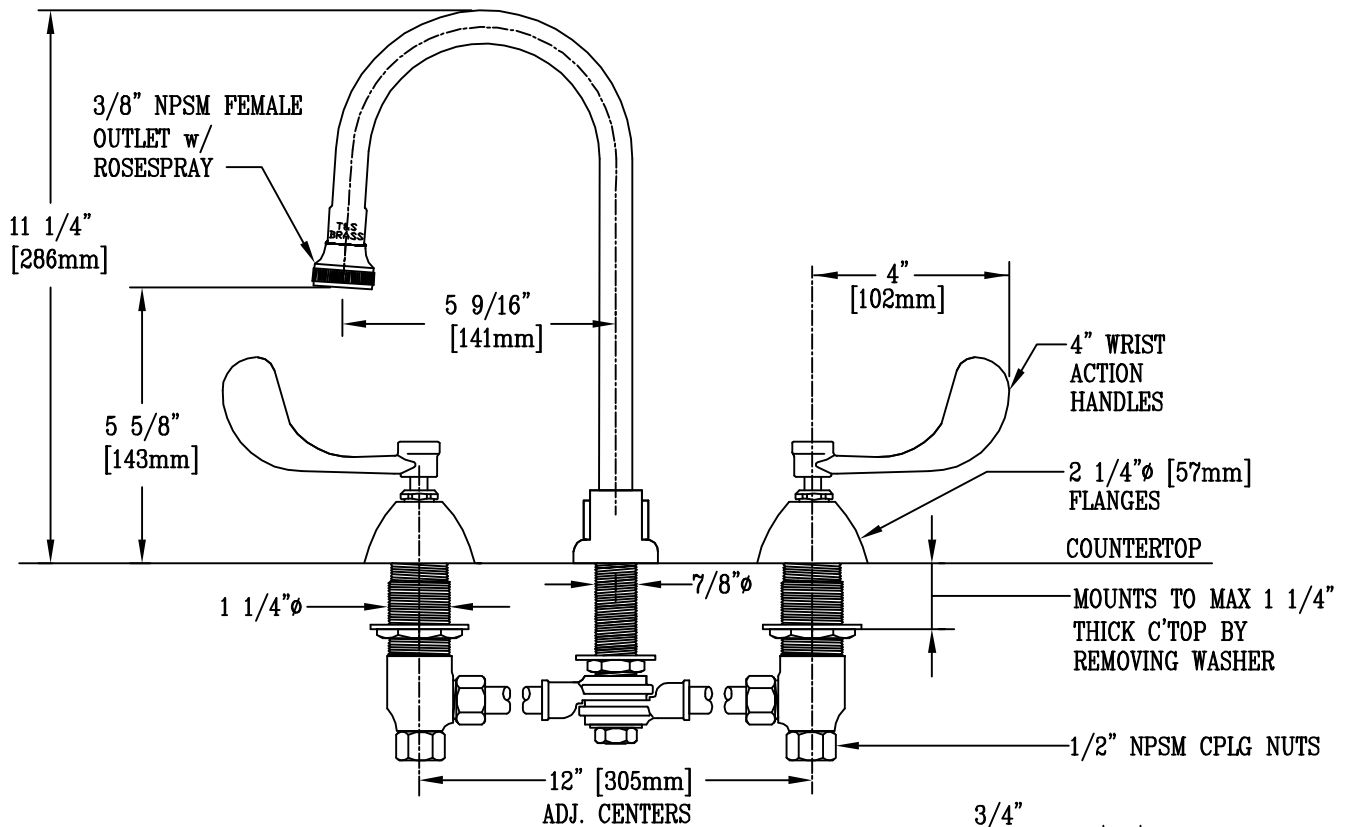
B-0868-04L

Item No.:

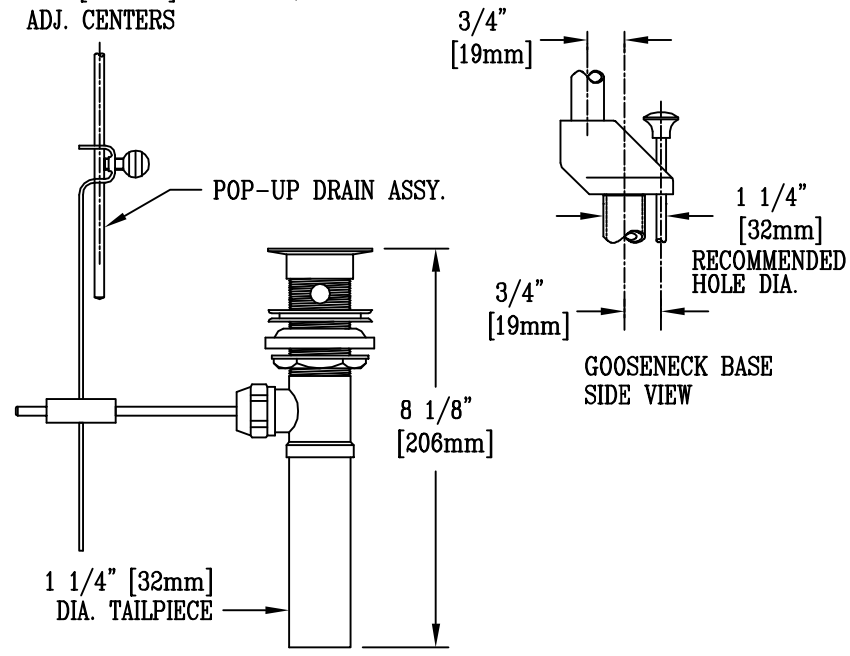
Job Name:

Architect/Engineer Approval:

Notes:



IF Y IS	THEN FAUCET WILL FIT X WITH STD. 1/4" NPT CROSS PIPES FURNISHED
1/2"	12"
1"	11 3/4"
1 1/2"	11 3/8"
2"	11"



Product Description: 12" c/c DECK MOUNTED MIXING FAUCET w/ 4" WRIST ACTION HANDLES, ADJUSTABLE CENTERS, POP-UP DRAIN, & RIGID GOOSENECK WITH ROSESpray OUTLET	Drawn:	Checked:	Scale:
	TEH	WJS	3" = 1'
	Approved:		Date:
	MVW		2/10/03



T&S BRASS AND BRONZE WORKS, INC.
 2 SADDLEBACK COVE / P.O. BOX 1088 / TRAVELERS REST, SC 29690
 PHONE 800-476-4103 FAX 864-834-3518



Model No.

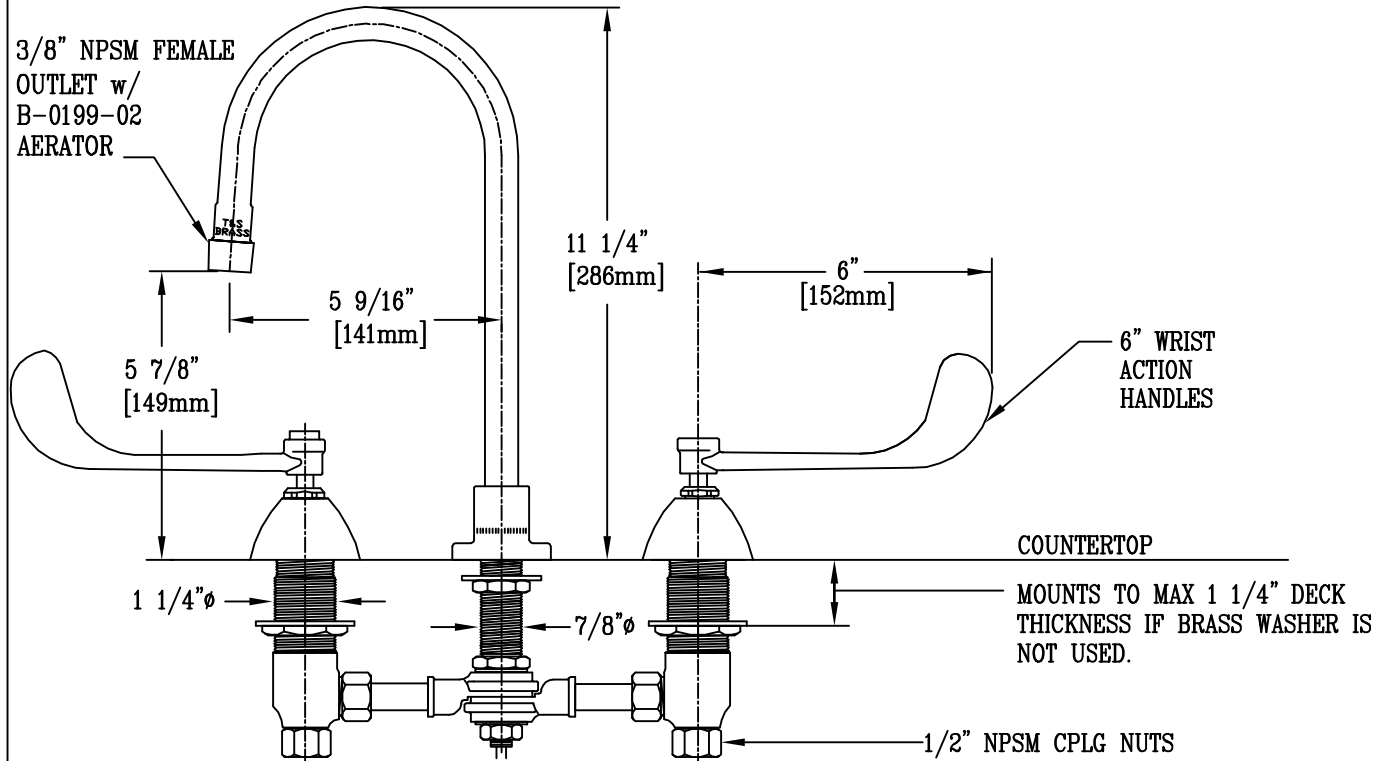
B-0869

Item No.:

Job Name:

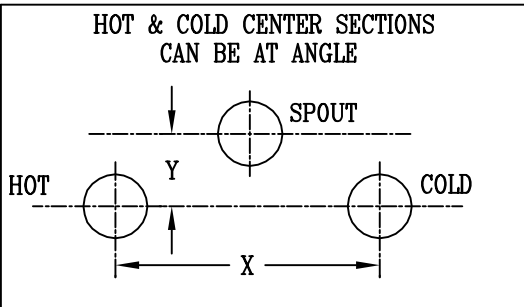
Architect/Engineer Approval:

Notes:

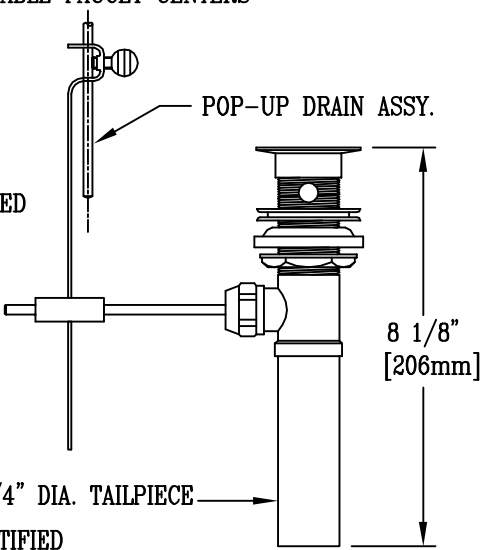
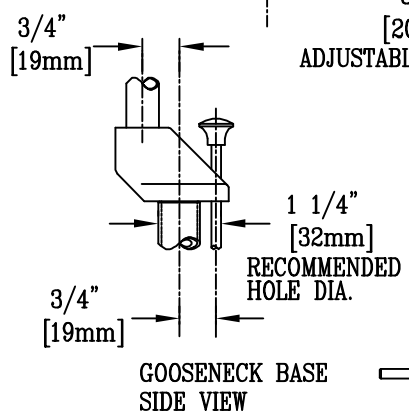


COUNTERTOP

MOUNTS TO MAX 1 1/4" DECK THICKNESS IF BRASS WASHER IS NOT USED.



IF Y IS	THEN FAUCET WILL FIT X WITH STD. 1/4" NPT CROSS PIPES FURNISHED
1/2"	8"
1"	7 3/4"
1 1/2"	7 3/8"
2"	7"



NSF STANDARD 61, SECTION 9 CERTIFIED

Product Description:
 DECK MOUNTED MIXING FAUCET WITH 6" WRIST ACTION HANDLES, ADJUSTABLE CENTERS, POP-UP DRAIN, & RIGID GOOSENECK WITH AERATOR OUTLET

Drawn: TEH	Checked WJS	Scale: 3" = 1"
Approved MVW		Date: 2/10/03



T&S BRASS AND BRONZE WORKS, INC.

2 SADDLEBACK COVE / P.O. BOX 1088 / TRAVELERS REST, SC 29690

PHONE 800-476-4103

FAX 864-834-3518



REG.#A2601
ISO #9002

Model No.

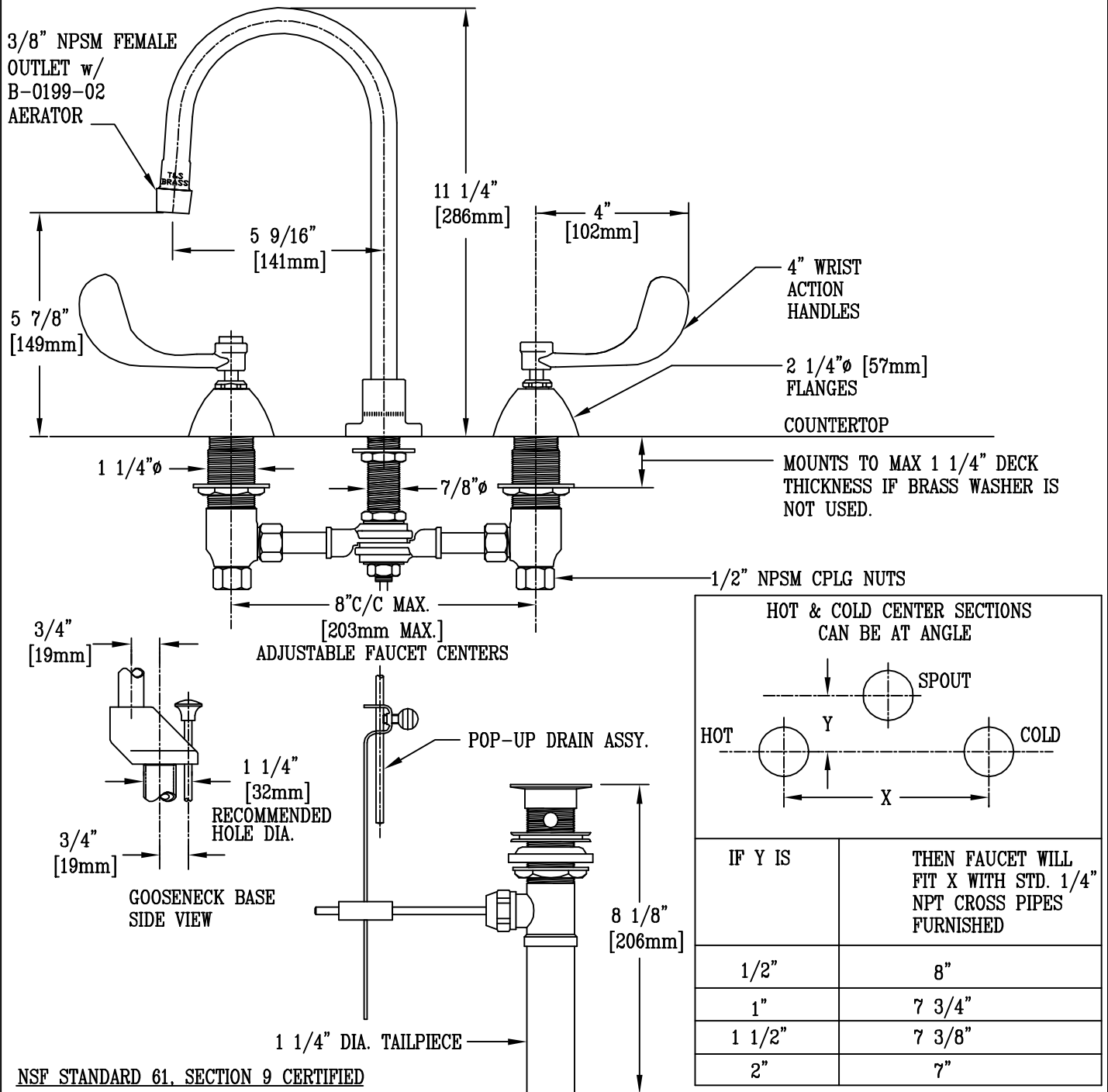
B-0869-04

Item No.:

Job Name:

Architect/Engineer Approval:

Notes:



Product Description:

DECK MOUNTED MIXING FAUCET WITH 4" WRIST ACTION HANDLES, ADJUSTABLE CENTERS, POP-UP DRAIN, & RIGID GOOSENECK WITH AERATOR OUTLET

Drawn:

TEH

Checked

WJS

Scale:

3" = 1'

Approved

MVW

Date:

2/10/03