



T&S BRASS AND BRONZE WORKS, INC.

2 Saddleback Cove / P.O. Box 1088
Travelers Rest, SC 29690

Model No.

B-0807

Item No.

Travelers Rest, SC: 800-476-4103 • Simi Valley, CA: 800-423-0150 • Fax: 864-834-3518 • www.tsbrass.com



ADA Compliant

This Space for Architect/Engineer Approval

Job Name _____ Date _____

Model Specified _____ Quantity _____

Customer/Wholesaler _____

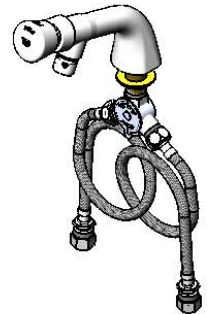
Contractor _____

Architect/Engineer _____

1 15/16"
[50mm]



Metering Cartridge
(Requires 3/32" Hex
Key for Adjustment)



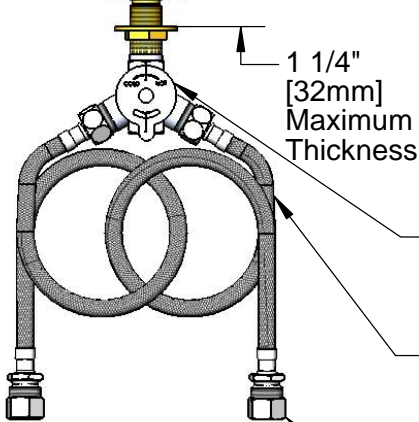
Blank Push Button Cap



2.2 GPM Aerator

Mounting Surface

1 1/4"
[32mm]
Maximum
Thickness



Temperature Mixing Valve
w/ Integral Check Valves

18" Flexible Stainless Steel
Supply Hoses

Compression Fittings
for 5/8" O.D. Copper Tubing
(Remove Compression Nut
for 1/2" NPSM Male)

6 9/16"
[167mm]



4 15/16"
[127mm]

1 5/8"
[41mm]

1 15/16"
[50mm]

4 5/16"
[109mm]

Rough-in Requirement:
Ø 1" [25mm] Mounting Hole

Product Specifications:

Single Hole, Single Temperature Deck Mount Faucet, Push Button Metering Cartridge, 2.2 GPM Aerator, Temperature Control Mixing Valve w/ Integral Check Valves & 18" Flexible Stainless Steel Supply Hoses w/ 1/2" NPSM Male Inlets

Product Compliance:

ASME A112.18.1 / CSA B125.1
NSF 61 - Section 9
NSF 372 (Low Lead Content)
ANSI A117.1 (ADA)



T&S BRASS AND BRONZE WORKS, INC.

2 Saddleback Cove / P.O. Box 1088
Travelers Rest, SC 29690

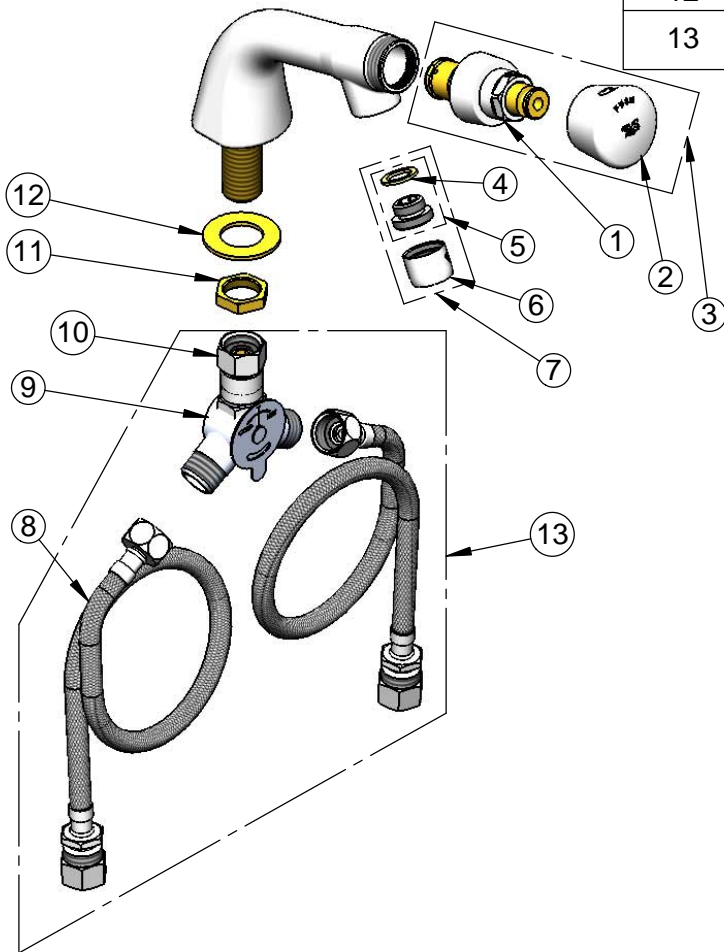
Model No.

B-0807

Item No.

Travelers Rest, SC: 800-476-4103 • Simi Valley, CA: 800-423-0150 • Fax: 864-834-3518 • www.tsbrass.com

ITEM NO.	SALES NO.	DESCRIPTION
1	238A	Push Button Metering Cartridge
2	014193-40	Blank Push Cap Assembly
3	238AB	Push Button Metering Cartridge w/ Push Button Cap
4	001043-45	Washer
5	044A	3/8" to Aerator Adapter
6	B-0199-01	2.2 GPM Aerator, 55/64"-27 UN Female
7	B-0199-02	2.2 GPM Male Aerator, Adaptor & Washer
8	019192-45	Flexible Connector Hose (2)
9	5EF-0006	Mechanical Mixing Valve
10	017506-45	1/2" NPSM Swivel Coupling
11	002954-45	Shank Lock Nut
12	000999-45	Brass Lock Washer
13	019321-40	Temperature Control Mixing Valve w/ Flexible 1/2" NPSM Male Inlets



014734-45
#8 Spanner Bit

Product Specifications:

Single Hole, Single Temperature Deck Mount Faucet, Push Button Metering Cartridge, 2.2 GPM Aerator, Temperature Control Mixing Valve w/ Integral Check Valves & 18" Flexible Stainless Steel Supply Hoses w/ 1/2" NPSM Male Inlets

Product Compliance:

ASME A112.18.1 / CSA B125.1
NSF 61 - Section 9
NSF 372 (Low Lead Content)
ANSI A117.1 (ADA)



T&S BRASS AND BRONZE WORKS, INC.

2 Saddleback Cove / P.O. Box 1088
Travelers Rest, SC 29690

Model No.

B-0807-VR

Item No.

Travelers Rest, SC: 800-476-4103 • Simi Valley, CA: 800-423-0150 • Fax: 864-834-3518 • www.tsbrass.com



ADA Compliant

This Space for Architect/Engineer Approval

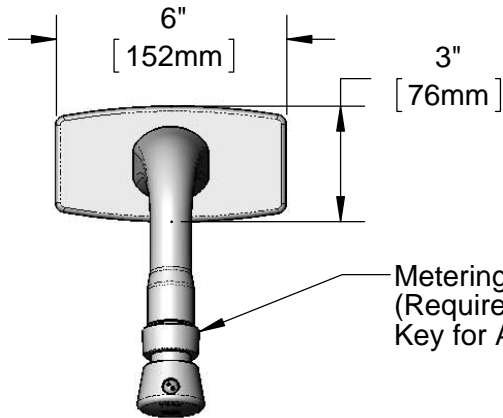
Job Name _____ Date _____

Model Specified _____ Quantity _____

Customer/Wholesaler _____

Contractor _____

Architect/Engineer _____



Metering Cartridge
(Requires 3/32" Hex
Key for Adjustment)



Blank Push
Button Cap

B-0199-07
2.2 GPM Vandal
Resistant Aerator

Polish Chrome Plated
Solid Brass Deck Plate

Mounting Surface

Ø 1"
[25mm]
Locking
Studs

4"
[102mm]

13/16"
[21mm]
Maximum
Thickness

1 7/8"
[48mm]

6 9/16"
[167mm]

5 1/4"
[134mm]

4 5/16"
[109mm]

Temperature Mixing Valve
w/ Integral Check Valves

18" Flexible Stainless Steel
Supply Hoses

Compression Fittings
for 5/8" O.D. Copper Tubing
(Remove Compression Nut
for 1/2" NPSM Male)

Rough-In Requirement:

Center Shank - Ø 1 " [25mm] Mounting Hole
Posts - (2) Ø 1 1/8" [29mm] Mounting Holes

Product Specifications:

Single Hole, Single Temperature Deck Mount Faucet, Push Button Metering Cartridge, 2.2 GPM Vandal Resistant Aerator, Chrome Plated Deck Plate Temperature Control Mixing Valve w/ Integral Check Valves & 18" Flexible Stainless Steel Supply Hoses w/ 1/2" NPSM Male Inlets

Product Compliance:

ASME A112.18.1 / CSA B125.1
NSF 61 - Section 9
NSF 372 (Low Lead Content)
ANSI A117.1 (ADA)



T&S BRASS AND BRONZE WORKS, INC.

2 Saddleback Cove / P.O. Box 1088
Travelers Rest, SC 29690

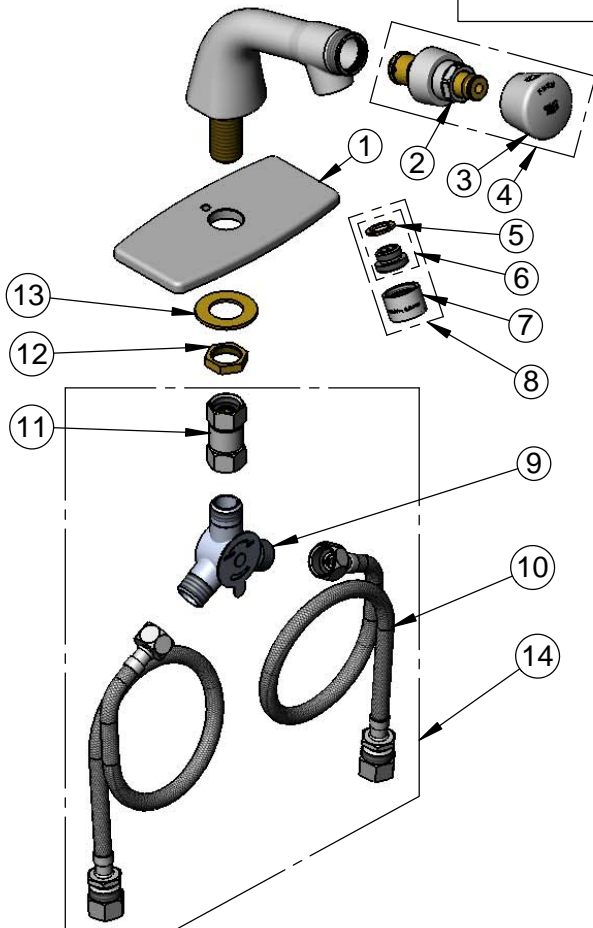
Model No.

B-0807-VR

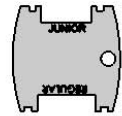
Item No.

Travelers Rest, SC: 800-476-4103 • Simi Valley, CA: 800-423-0150 • Fax: 864-834-3518 • www.tsbrass.com

ITEM NO.	SALES NO.	DESCRIPTION
1	013657-40	Forged Deck Plate
2	238AB	Metering Cartridge w/ Blank Push Button Cap & Spanner Bit
3	014193-40	Blank Push Button Cap
4	238A	Push Button, Metering Cartridge
5	001043-45	Washer
6	044A	3/8" to Aerator Adapter
7	B-0199-06	VR 2.2 GPM Aerator, 55/64-27 UN Female w/ Key
8	B-0199-07	VR 2.2 GPM Aerator, 3/8" NPSM Male w/ Key
9	5EF-0006	Mechanical Mixing Valve
10	019192-45	Flexible Connector Hose (2)
11	017506-45	1/2" NPSM Swivel Coupling
12	002954-45	Shank Lock Nut
13	000999-45	Brass Lock Washer
14	019321-40	Temperature Control Mixing Valve w/ Flexible 1/2" NPSM Male Inlets



014734-45
#8 Spanner Bit



015425-45
Vandal Resistant Key

Product Specifications:

Single Hole, Single Temperature Deck Mount Faucet, Push Button Metering Cartridge, 2.2 GPM Vandal Resistant Aerator, Chrome Plated Deck Plate Temperature Control Mixing Valve w/ Integral Check Valves & 18" Flexible Stainless Steel Supply Hoses w/ 1/2" NPSM Male Inlets

Product Compliance:

ASME A112.18.1 / CSA B125.1
NSF 61 - Section 9
NSF 372 (Low Lead Content)
ANSI A117.1 (ADA)



T&S BRASS AND BRONZE WORKS, INC.
 2 Saddleback Cove / P.O. Box 1088
 Travelers Rest, SC 29690

Model No.

B-0807-WS

Item No.

Travelers Rest, SC: 800-476-4103 • Simi Valley, CA: 800-423-0150 • Fax: 864-834-3518 • www.tsbrass.com



ADA Compliant

This Space for Architect/Engineer Approval

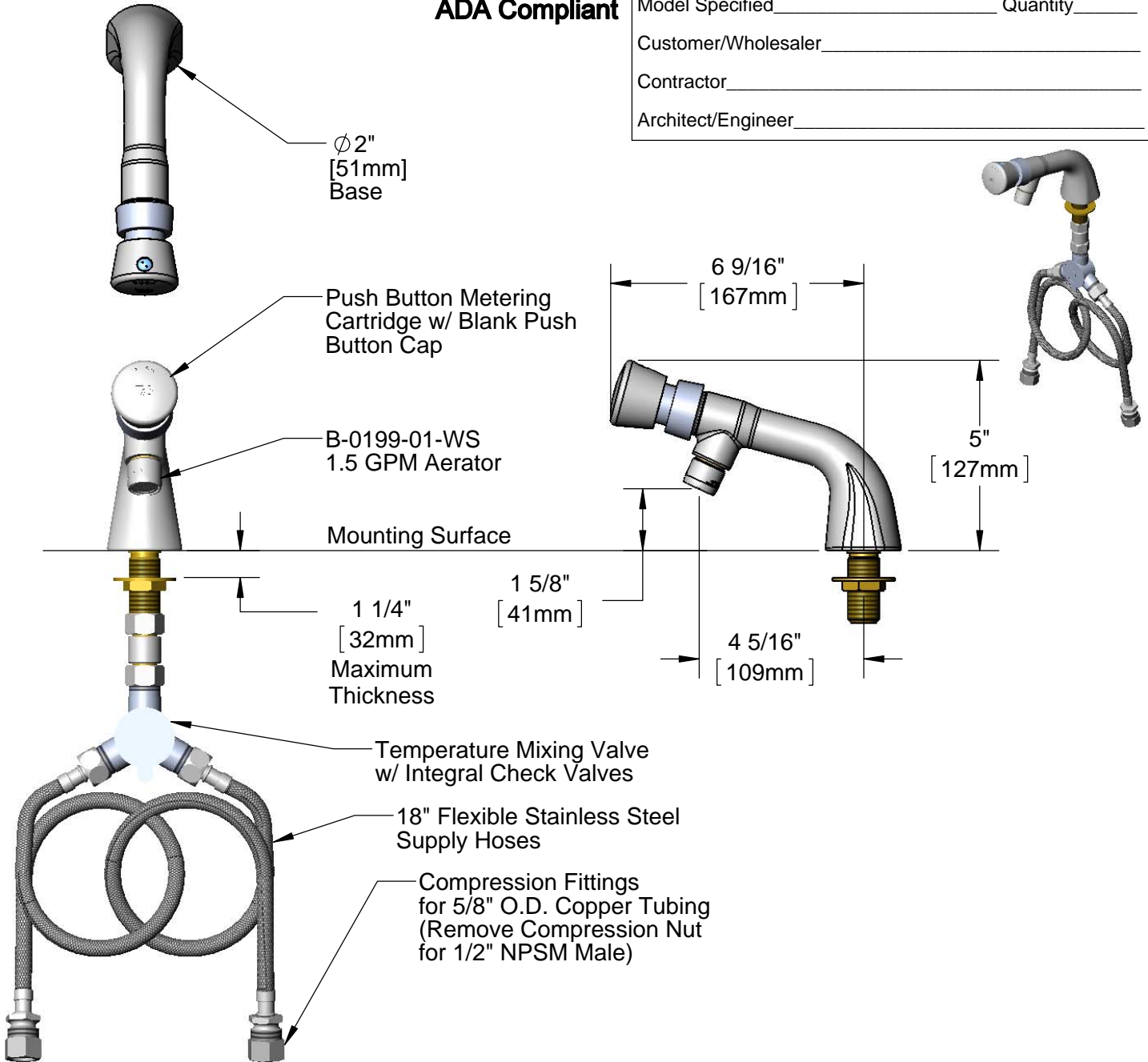
Job Name _____ Date _____

Model Specified _____ Quantity _____

Customer/Wholesaler _____

Contractor _____

Architect/Engineer _____



Rough-In Requirement:
 Ø1" [25mm] Mounting Hole

Product Specifications:

Single Temperature Deck Mount Faucet, Push Button Metering Cartridge, Push Button Cap, 1.5 GPM Aerator, Temperature Control Mixing Valve w/ Check Valves & 18" Flexible Stainless Steel Supply Hoses w/ 1/2" NPSM Male Inlets

Product Compliance:

ASME A112.18.1 / CSA B125.1
 NSF 61 - Section 9
 NSF 372 (Low Lead Content)
 ANSI A117.1 (ADA)



T&S BRASS AND BRONZE WORKS, INC.

2 Saddleback Cove / P.O. Box 1088
Travelers Rest, SC 29690

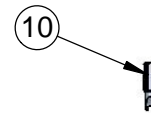
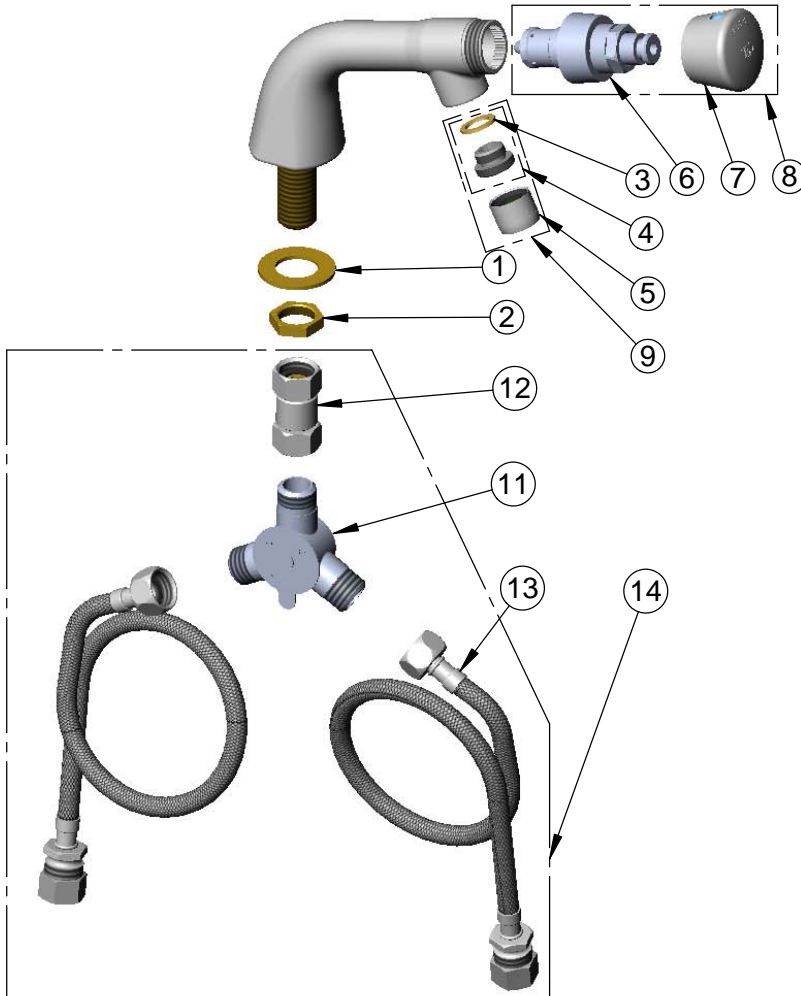
Model No.

B-0807-WS

Item No.

Travelers Rest, SC: 800-476-4103 • Simi Valley, CA: 800-423-0150 • Fax: 864-834-3518 • www.tsbrass.com

ITEM NO.	SALES NO.	DESCRIPTION
1	000999-45	Brass Lock Washer
2	002954-45	Shank Lock Nut
3	001043-45	Washer
4	044A	3/8" to Aerator Adapter
5	B-0199-01-WS	1.5 GPM Aerator, 55/64-27 Female
6	238A	Push Button Metering Cartridge
7	014193-40	Blank Push Cap Asm
8	238AB	Push Button Metering Cartridge w/ Push Button Cap
9	B-0199-02-WS	1.5 GPM Female Aerator, Adapter & Washer
10	014734-45	Spanner Bit
11	5EF-0006	Mechanical Mixing Valve
12	017506-45	1/2" NPSM Swivel Coupling
13	019192-45	Flexible Connector Hose (2)
14	019321-40	Temperature Control Mixing Valve w/ Flexible 1/2" NPSM Male Inlets



Product Specifications:

Single Temperature Deck Mount Faucet, Push Button Metering Cartridge, Push Button Cap, 1.5 GPM Aerator, Temperature Control Mixing Valve w/ Check Valves & 18" Flexible Stainless Steel Supply Hoses w/ 1/2" NPSM Male Inlets

Product Compliance:

ASME A112.18.1 / CSA B125.1
NSF 61 - Section 9
NSF 372 (Low Lead Content)
ANSI A117.1 (ADA)