



**T&S BRASS AND BRONZE WORKS, INC.**  
 2 Saddleback Cove / P.O. Box 1088  
 Travelers Rest, SC 29690

Model No.  
**B-0805-01**

Item No.

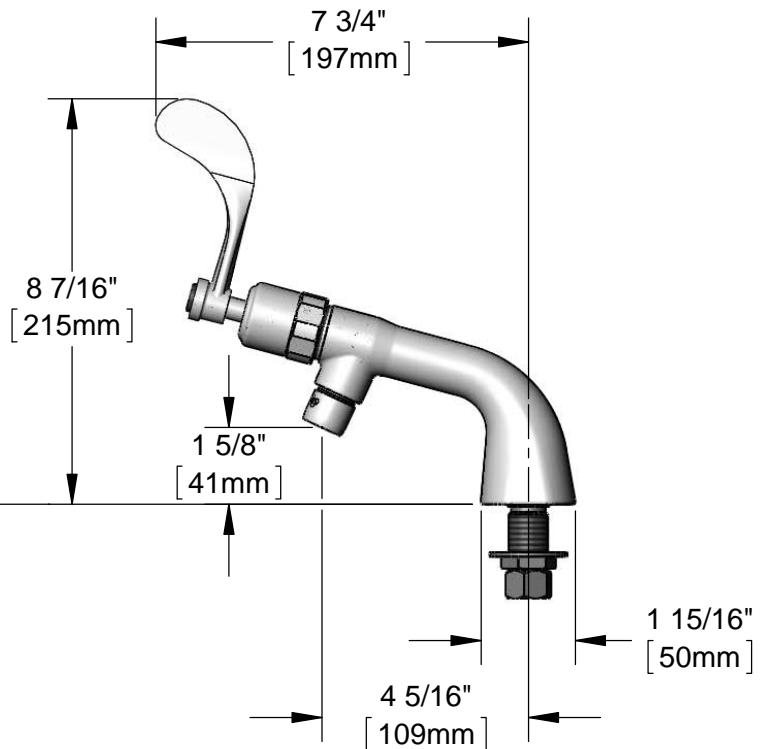
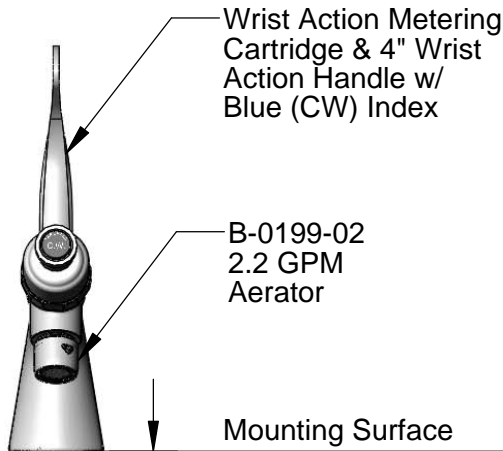
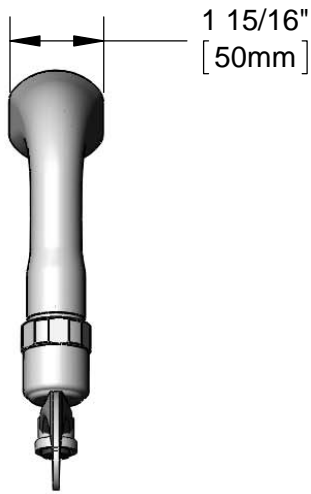
Travelers Rest, SC: 800-476-4103 • Simi Valley, CA: 800-423-0150 • Fax: 864-834-3518 • www.tsbrass.com

This Space for Architect/Engineer Approval

Job Name \_\_\_\_\_ Date \_\_\_\_\_  
 Model Specified \_\_\_\_\_ Quantity \_\_\_\_\_  
 Customer/Wholesaler \_\_\_\_\_  
 Contractor \_\_\_\_\_  
 Architect/Engineer \_\_\_\_\_



**ADA Compliant**



1/2" NPSM Male Inlet w/ Coupling Nut

1" [25mm] Maximum Thickness

Rough-In Requirement:  
 Ø 1" [25mm] Mounting Hole

Product Specifications:  
 Single Temperature Deck Mount Faucet, Wrist Action Metering Cartridge, 4" Wrist Action Handle, 2.2 GPM Aerator & 1/2" NPSM Male Inlet

Drawn <b>KJG</b>	Checked <b>DHL</b>	Approved <b>JHB</b>
Scale: <b>1:4</b>		Date: <b>01/28/13</b>



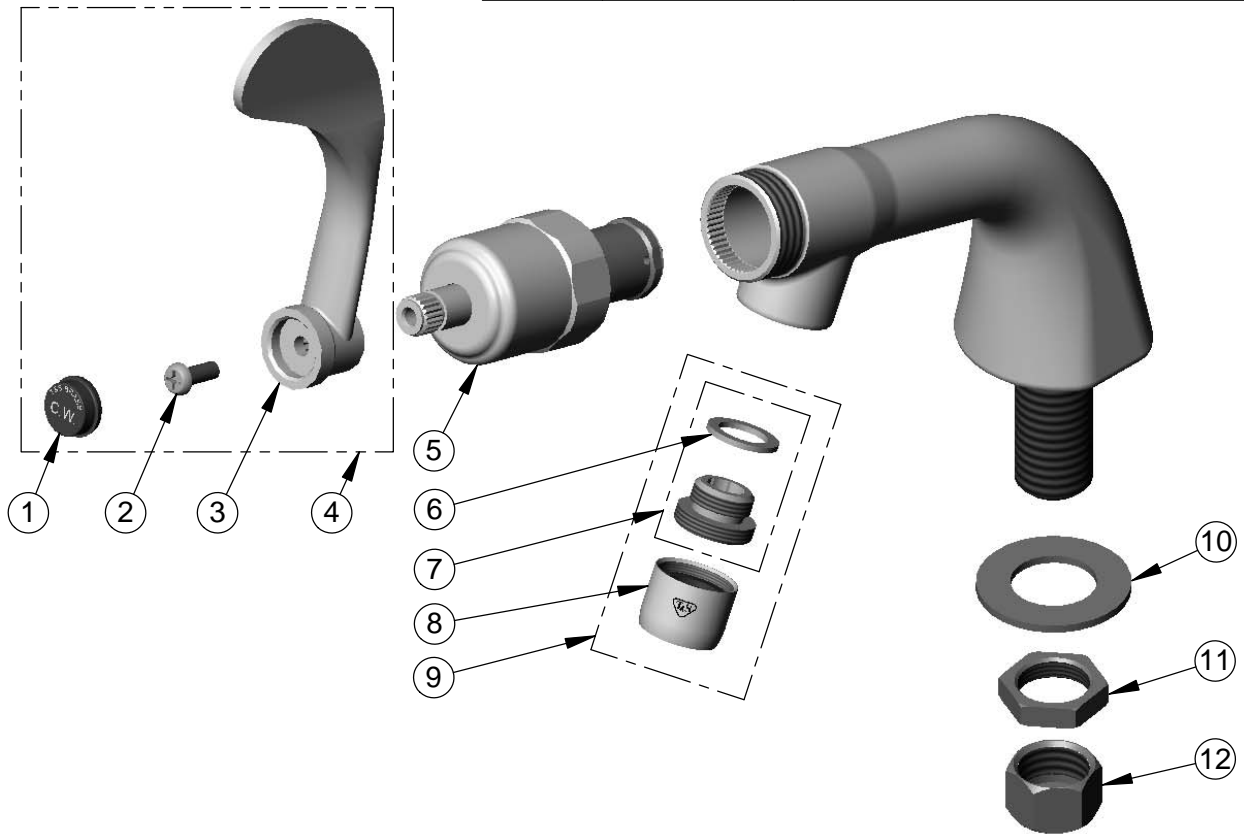
**T&S BRASS AND BRONZE WORKS, INC.**  
 2 Saddleback Cove / P.O. Box 1088  
 Travelers Rest, SC 29690

Model No.  
**B-0805-01**

Item No.

Travelers Rest, SC: 800-476-4103 • Simi Valley, CA: 800-423-0150 • Fax: 864-834-3518 • www.tsbrass.com

ITEM NO.	SALES NO.	DESCRIPTION
1	001686-45	Blue CW Index
2	000925-45	Lab Handle Screw
3	B-WH4	4" Wrist Action Handle
4	B-WH4C	4" Wrist Action Handle, Screw & Cold Index
5	012449-40	Wrist Action Metering Cartridge
6	001043-45	Washer
7	044A	3/8" to Aerator Adapter
8	B-0199-01	2.2 GPM Aerator, Female
9	B-0199-02	2.2 GPM Aerator, 3/8" NPSM Male
10	000999-45	Brass Lock Washer
11	002954-45	Shank Lock Nut
12	000958-20	Coupling Nut



Product Specifications:  
 Single Temperature Deck Mount Faucet, Wrist Action Metering  
 Cartridge, 4" Wrist Action Handle, 2.2 GPM Aerator & 1/2" NPSM  
 Male Inlet

Drawn <b>KJG</b>	Checked <b>DHL</b>	Approved <b>JHB</b>
Scale: <b>NTS</b>		Date: <b>01/28/13</b>