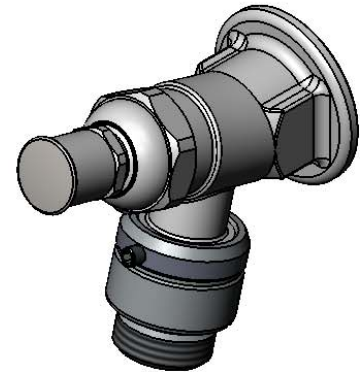
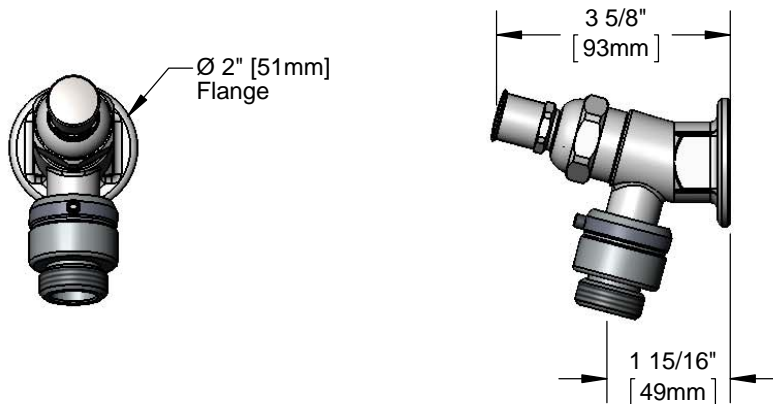




Architect/Engineering Specifications:

Single hole, wall mount faucet with rough chrome plated brass body, vacuum breaker with male garden hose outlet, compression cartridge, loose key style shutoff with tee handle and 1/2" NPT female inlet. Certified to ASME A112.18.1/CSA B125.1, NSF 61-Section 9 and NSF 372.

| |
|--------------------------------------|
| Job Name _____ |
| Model Specified _____ Quantity _____ |
| Variations Specified _____ |
| Date _____ |



Features & Benefits:

- Single hole, wall mount faucet with rough chrome plated brass body
- Vacuum breaker w/ male garden hose outlet
- Eterna compression cartridge
- Loose key style shutoff with tee handle
- 1/2" NPT female inlet
- Material: Rough chrome plated brass body, chrome plated metal handle

Product Compliance:

- ASME A112.18.1 / CSA B125.1
- NSF 61 - Section 9
- NSF 372 (Low Lead Content)
- ASSE 1011 (VB)

Warranty: One Year (Limited)

Performance Data:

- Pressure: 20 - 125 psi
- Temperature: 40°F - 140°F
- Flow Rate: 9.10 GPM @ 60 psi

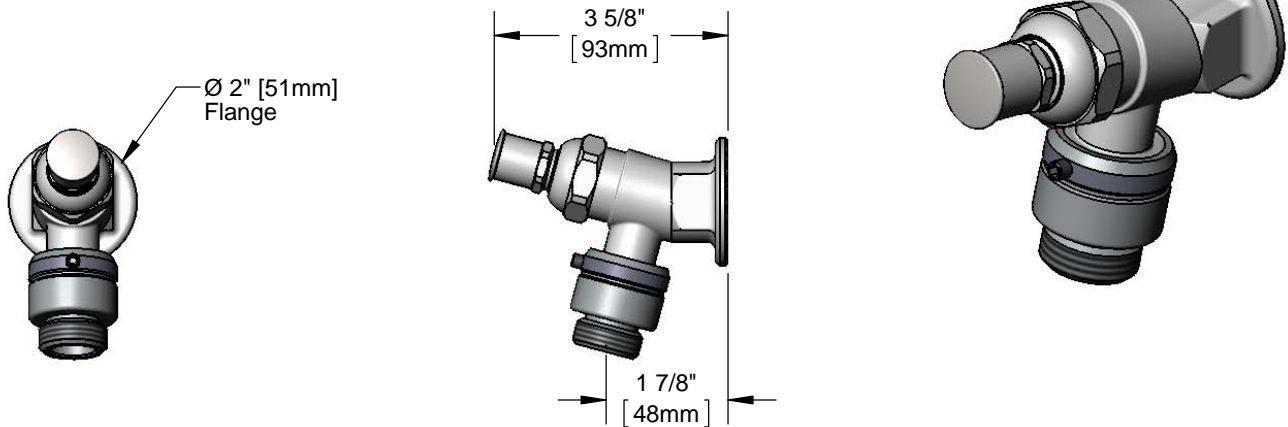




Architect/Engineering Specifications:

Single hole, wall mount faucet with polished chrome plated brass body, vacuum breaker with male garden hose outlet, compression cartridge, loose key style shutoff with tee handle and 1/2" NPT female inlet. Certified to ASME A112.18.1/CSA B125.1, NSF 61-Section 9 and NSF 372.

| |
|--------------------------------------|
| Job Name _____ |
| Model Specified _____ Quantity _____ |
| Variations Specified _____ |
| Date _____ |



Features & Benefits:

- Single hole, wall mount faucet with polished chrome plated brass body
- Vacuum breaker w/ male garden hose outlet
- Compression cartridge
- Loose key style shutoff, controlled by tee handle (included) or screwdriver
- 1/2" NPT female inlet with ϕ 2" flange
- Material: Polished chrome plated brass body and chrome plated metal handle

Product Compliance:

- ASME A112.18.1 / CSA B125.1
- NSF 61 - Section 9
- NSF 372 (Low Lead Content)
- ASSE 1011 (VB)

Warranty: One Year (Limited)

Performance Data:

- Pressure: 20 - 125 psi
- Temperature: 40°F - 140°F
- Flow Rate: 9.10 GPM @ 60 psi





Single Sill Faucets

B-0737

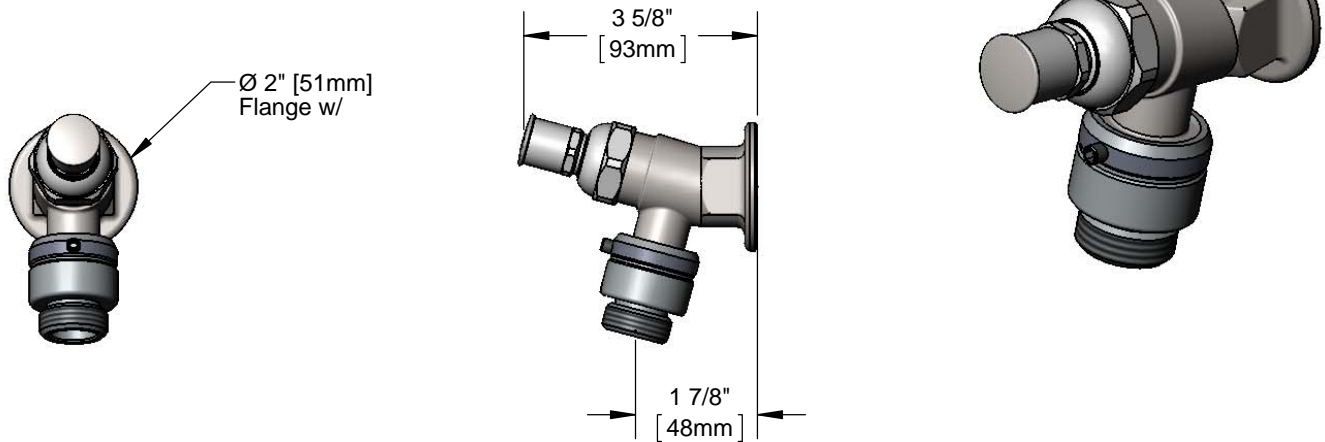
TAG:

Single Sill with Vacuum Breaker

Architect/Engineering Specifications:

Single hole, single temperature, wall mount faucet with polished chrome plated brass body, loose key stop, vacuum breaker with 3/4" garden hose male outlet and 3/4" NPT female inlet. Certified to ASME A112.18.1/CSA B125.1, NSF 61-Section 9, NSF 372, and ASSE 1011.

Job Name _____
 Model Specified _____ Quantity _____
 Variations Specified _____
 Date _____



Features & Benefits:

- Single hole, single temperature, wall mount faucet with polished chrome plated brass body
- Loose key style shutoff, controlled by tee handle (included) or screwdriver
- Vacuum breaker w/ male garden hose outlet
- Loose key or screwdriver controlled handle
- 3/4" NPT female inlet with Ø 2" flange
- Material: Polished chrome plated brass body, chrome plated metal handle

Product Compliance:

- ASME A112.18.1 / CSA B125.1
- NSF 61 Exempt (Non-Potable)
- NSF 372 (Low Lead Content)
- ASSE 1011 (VB)

Warranty: One Year (Limited)

Performance Data:

- Pressure: 20 - 125 psi
- Temperature: 40 °F - 140 °F
- Flow Rate: 9.10 GPM @ 60 psi



T&S BRASS AND BRONZE WORKS, INC.



• 2 Saddleback Cove • Travelers Rest, SC 29690
 Ph 800-476-4103 • Fax 864-834-3518
 • Simi Valley, CA • Ph 800-423-0150 • www.tsbrass.com

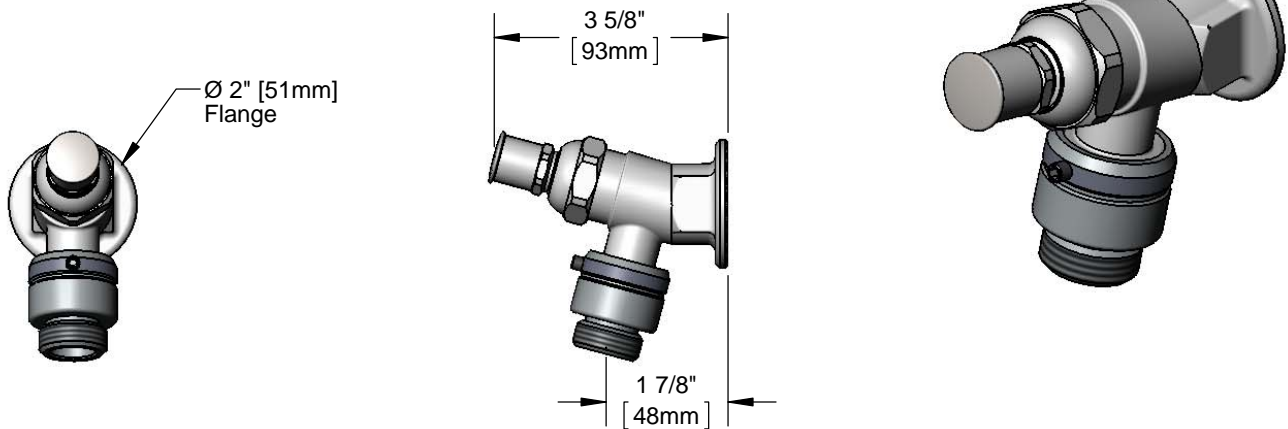
Date: 05/14/15



Architect/Engineering Specifications:

Single hole, wall mount faucet with polished chrome plated brass body, vacuum breaker with male garden hose outlet, compression cartridge, loose key style shutoff with tee handle and 1/2" NPT female inlet. Certified to ASME A112.18.1/CSA B125.1, NSF 61-Section 9 and NSF 372.

| |
|--------------------------------------|
| Job Name _____ |
| Model Specified _____ Quantity _____ |
| Variations Specified _____ |
| Date _____ |



Features & Benefits:

- Single hole, wall mount faucet with polished chrome plated brass body
- Vacuum breaker w/ male garden hose outlet
- Compression cartridge
- Loose key style shutoff, controlled by tee handle (included) or screwdriver
- 1/2" NPT female inlet with ϕ 2" flange
- Material: Polished chrome plated brass body and chrome plated metal handle

Product Compliance:

- ASME A112.18.1 / CSA B125.1
- NSF 61 - Section 9
- NSF 372 (Low Lead Content)
- ASSE 1011 (VB)

Warranty: One Year (Limited)

Performance Data:

- Pressure: 20 - 125 psi
- Temperature: 40°F - 140°F
- Flow Rate: 9.10 GPM @ 60 psi

