



# T&S BRASS AND BRONZE WORKS, INC.

2 Saddleback Cove / P.O. Box 1088  
Travelers Rest, SC 29690

Model No.

**B-0736**

Item No.

Travelers Rest, SC: 800-476-4103 • Simi Valley, CA: 800-423-0150 • Fax: 864-834-3518 • www.tsbrass.com

This Space for Architect/Engineer Approval

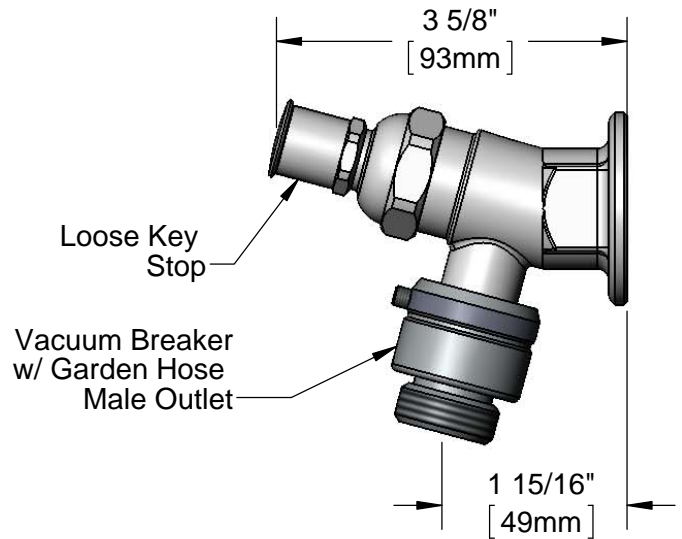
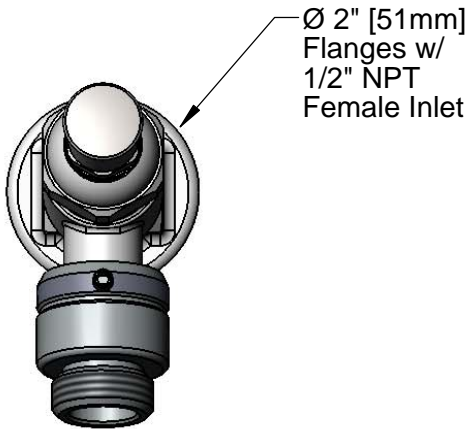
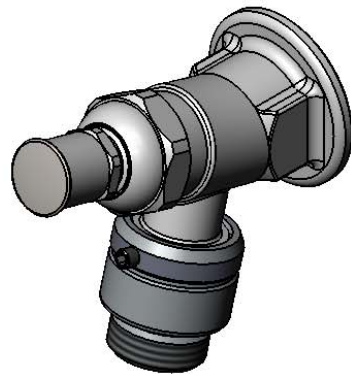
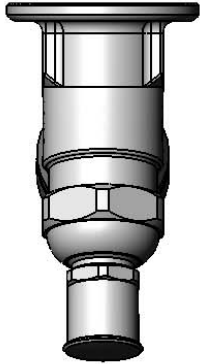
Job Name \_\_\_\_\_ Date \_\_\_\_\_

Model Specified \_\_\_\_\_ Quantity \_\_\_\_\_

Customer/Wholesaler \_\_\_\_\_

Contractor \_\_\_\_\_

Architect/Engineer \_\_\_\_\_



### Product Specifications:

Single Hole Single Temperature Wall Mount Sill Faucet, Loose Key Stop, Vacuum Breaker w/ Garden Hose Male Outlet, Rough Chrome Finish & 1/2" NPT Female Inlet

### Product Compliance:

ASME A112.18.1 / CSA B125.1  
NSF 61 - Section 9  
NSF 372 (Low Lead Content)  
ASSE 1011 (VB)



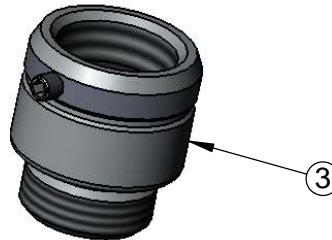
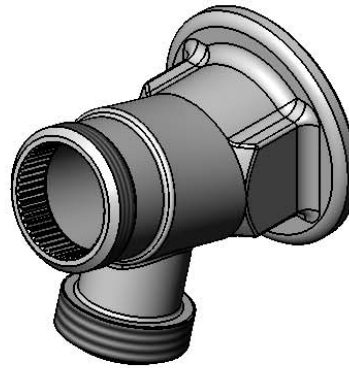
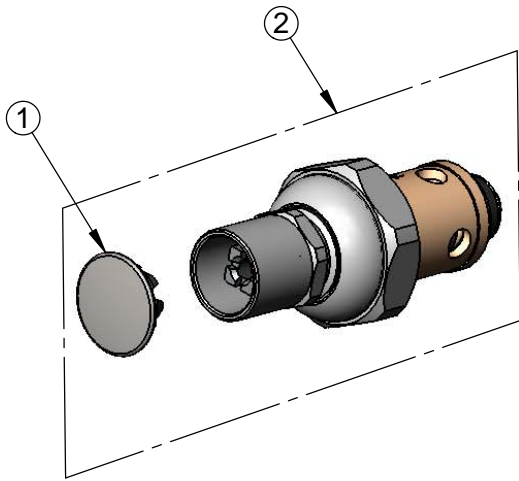
**T&S BRASS AND BRONZE WORKS, INC.**  
 2 Saddleback Cove / P.O. Box 1088  
 Travelers Rest, SC 29690

Model No.  
**B-0736**

Item No.

Travelers Rest, SC: 800-476-4103 • Simi Valley, CA: 800-423-0150 • Fax: 864-834-3518 • www.tsbrass.com

| ITEM NO. | SALES NO. | DESCRIPTION                                       |
|----------|-----------|---|
| 1        | 001605-45 | Cap   |
| 2        | 124A      | Loose Key Cartridge, RTC w/ T-Handle, Screw & Cap |
| 3        | B-0972    | Vacuum Breaker, 3/4" Garden Hose Male Outlet      |



002432-45  
T-Handle Screw



001802-45  
T-Handle

**Product Specifications:**

Single Hole Single Temperature Wall Mount Sill Faucet, Loose Key Stop, Vacuum Breaker w/ Garden Hose Male Outlet, Rough Chrome Finish & 1/2" NPT Female Inlet

**Product Compliance:**

ASME A112.18.1 / CSA B125.1  
 NSF 61 - Section 9  
 NSF 372 (Low Lead Content)  
 ASSE 1011 (VB)



# T&S BRASS AND BRONZE WORKS, INC.

2 Saddleback Cove / P.O. Box 1088  
Travelers Rest, SC 29690

Model No.

**B-0736-POL**

Item No.

Travelers Rest, SC: 800-476-4103 • Simi Valley, CA: 800-423-0150 • Fax: 864-834-3518 • www.tsbrass.com

This Space for Architect/Engineer Approval

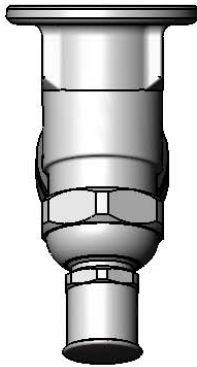
Job Name \_\_\_\_\_ Date \_\_\_\_\_

Model Specified \_\_\_\_\_ Quantity \_\_\_\_\_

Customer/Wholesaler \_\_\_\_\_

Contractor \_\_\_\_\_

Architect/Engineer \_\_\_\_\_



Ø 2" [51mm]  
Flanges w/  
1/2" NPT  
Female Inlet

Loose Key  
Stop Shut-Off

Vacuum Breaker  
w/ Garden Hose  
Male Outlet

3 5/8"  
[93mm]

1 7/8"  
[48mm]

### Product Specifications:

Single Hole Single Temperature Wall Mount Sill Faucet, Loose Key Stop Shut-Off, Vacuum Breaker w/ Garden Hose Male Outlet, Polished Chrome Finish & 1/2" NPT Female Inlet

### Product Compliance:

ASME A112.18.1 / CSA B125.1  
NSF 61 - Section 9  
NSF 372 (Low Lead Content)  
ASSE 1011 (VB)



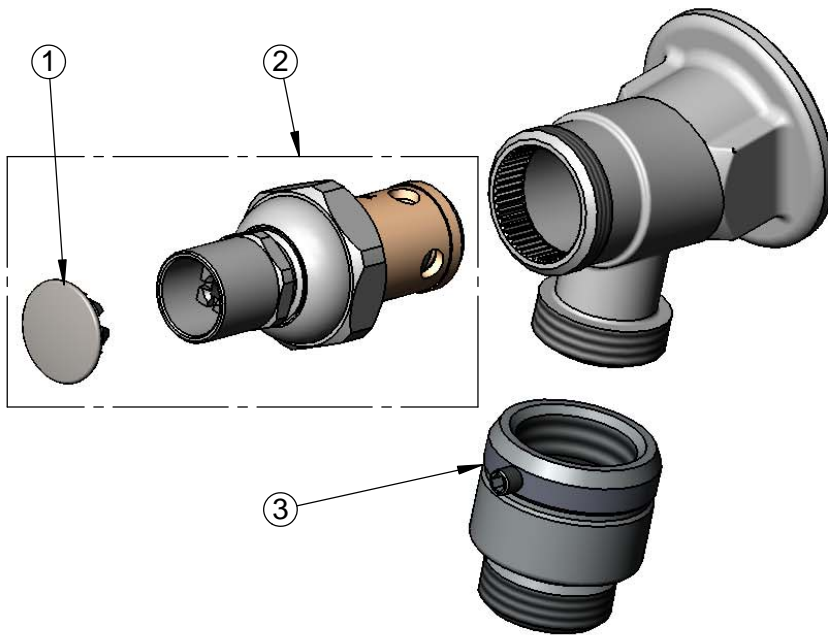
**T&S BRASS AND BRONZE WORKS, INC.**  
 2 Saddleback Cove / P.O. Box 1088  
 Travelers Rest, SC 29690

Model No.  
**B-0736-POL**

Item No.

Travelers Rest, SC: 800-476-4103 • Simi Valley, CA: 800-423-0150 • Fax: 864-834-3518 • www.tsbrass.com

| ITEM NO. | SALES NO. | DESCRIPTION                                       |
|----------|-----------|---|
| 1        | 001605-45 | Cap   |
| 2        | 124A      | Loose Key Cartridge, RTC w/ T-Handle, Screw & Cap |
| 3        | B-0972    | Vacuum Breaker, 3/4" Garden Hose Male Outlet      |



002432-45  
T-Handle Screw



001802-45  
T-Handle

**Product Specifications:**  
 Single Hole Single Temperature Wall Mount Sill Faucet, Loose Key Stop Shut-Off, Vacuum Breaker w/ Garden Hose Male Outlet, Polished Chrome Finish & 1/2" NPT Female Inlet

**Product Compliance:**  
 ASME A112.18.1 / CSA B125.1  
 NSF 61 - Section 9  
 NSF 372 (Low Lead Content)  
 ASSE 1011 (VB)



**T&S BRASS AND BRONZE WORKS, INC.**  
 2 Saddleback Cove / P.O. Box 1088  
 Travelers Rest, SC 29690

Model No.  
**B-0737**

Item No.

Travelers Rest, SC: 800-476-4103 • Simi Valley, CA: 800-423-0150 • Fax: 864-834-3518 • www.tsbrass.com

This Space for Architect/Engineer Approval

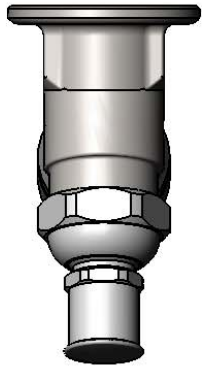
Job Name \_\_\_\_\_ Date \_\_\_\_\_

Model Specified \_\_\_\_\_ Quantity \_\_\_\_\_

Customer/Wholesaler \_\_\_\_\_

Contractor \_\_\_\_\_

Architect/Engineer \_\_\_\_\_



Ø 2" [51mm]  
 Flange w/  
 3/4" NPT  
 Female Inlet

Loose Key Stop  
 (Includes T-Handle  
 and Screw)

Vacuum Breaker  
 w/ 3/4" Garden Hose  
 Male Outlet

3 5/8"  
 [93mm]

1 7/8"  
 [48mm]

**Product Specifications:**

Single Hole Single Temperature Wall Mount Sill Faucet, Loose Key Stop, Vacuum Breaker w/ 3/4" Garden Hose Male Outlet, Rough Chrome & 3/4" NPT Female Inlet

**Product Compliance:**

ASME A112.18.1 / CSA B125.1  
 NSF 61 Exempt (Non-Potable)  
 NSF 372 (Low Lead Content)  
 ASSE 1011 (VB)



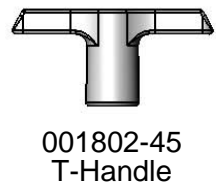
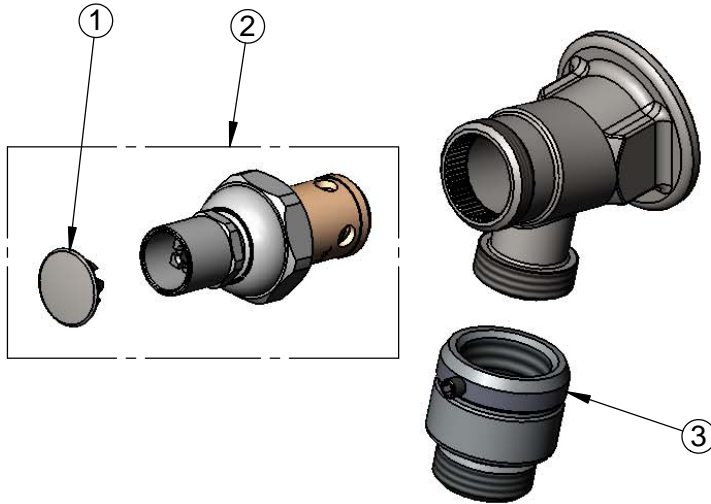
**T&S BRASS AND BRONZE WORKS, INC.**  
 2 Saddleback Cove / P.O. Box 1088  
 Travelers Rest, SC 29690

Model No.  
**B-0737**

Item No.

Travelers Rest, SC: 800-476-4103 • Simi Valley, CA: 800-423-0150 • Fax: 864-834-3518 • www.tsbrass.com

| ITEM NO. | SALES NO. | DESCRIPTION  |
|----------|-----------|--|
| 1        | 001605-45 | Cap  |
| 2        | 124A      | Loose Key Stop Spindle, RTC w/ T-Handle & Mounting Screw |
| 3        | B-0972    | Vacuum Breaker, 3/4" Garden Hose Male Outlet             |



Product Specifications:  
 Single Hole Single Temperature Wall Mount Sill Faucet, Loose Key Stop,  
 Vacuum Breaker w/ 3/4" Garden Hose Male Outlet, Rough Chrome & 3/4" NPT  
 Female Inlet

Product Compliance:  
 ASME A112.18.1 / CSA B125.1  
 NSF 61 Exempt (Non-Potable)  
 NSF 372 (Low Lead Content)  
 ASSE 1011 (VB)



# T&S BRASS AND BRONZE WORKS, INC.

2 Saddleback Cove / P.O. Box 1088  
Travelers Rest, SC 29690

Model No.

**B-0737-POL**

Item No.

Travelers Rest, SC: 800-476-4103 • Simi Valley, CA: 800-423-0150 • Fax: 864-834-3518 • www.tsbrass.com

This Space for Architect/Engineer Approval

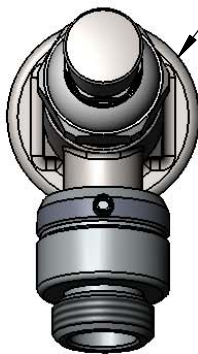
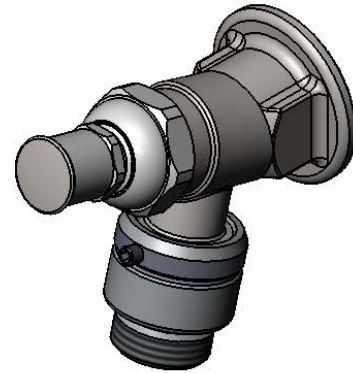
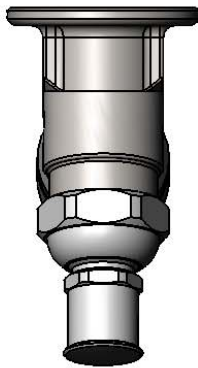
Job Name \_\_\_\_\_ Date \_\_\_\_\_

Model Specified \_\_\_\_\_ Quantity \_\_\_\_\_

Customer/Wholesaler \_\_\_\_\_

Contractor \_\_\_\_\_

Architect/Engineer \_\_\_\_\_



Ø 2" [51mm]  
Flange w/  
3/4" NPT  
Female Inlet

Loose Key  
Stop Shut-Off

Vacuum Breaker  
w/ Garden Hose  
Male Outlet

3 5/8"  
[93mm]

1 15/16"  
[49mm]

### Product Specifications:

Single Hole Single Temperature Wall Mount Sill Faucet, Loose Key Stop Shut-Off, Vacuum Breaker w/ Garden Hose Male Outlet, Polished Chrome Finish & 3/4" NPT Female Inlet

### Product Compliance:

ASME A112.18.1 / CSA B125.1  
NSF 61 - Section 9  
NSF 372 (Low Lead Content)  
ASSE 1011 (VB)





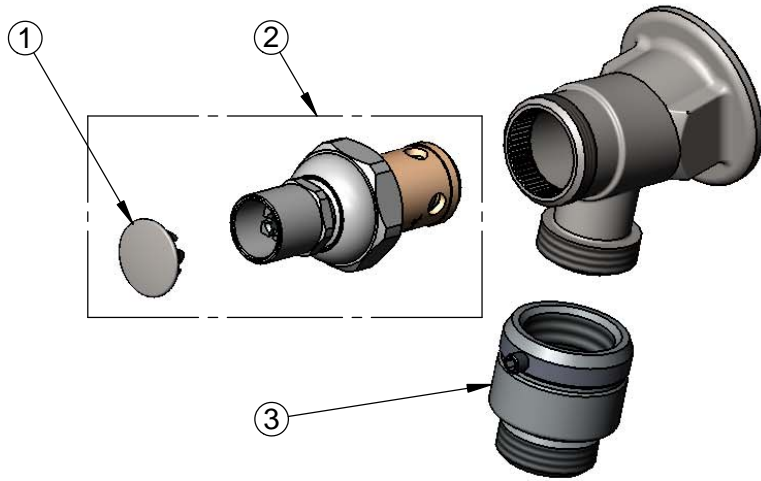
**T&S BRASS AND BRONZE WORKS, INC.**  
 2 Saddleback Cove / P.O. Box 1088  
 Travelers Rest, SC 29690

Model No.  
**B-0737-POL**

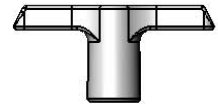
Item No.

Travelers Rest, SC: 800-476-4103 • Simi Valley, CA: 800-423-0150 • Fax: 864-834-3518 • www.tsbrass.com

| ITEM NO. | SALES NO. | DESCRIPTION  |
|----------|-----------|--|
| 1        | 001605-45 | Cap  |
| 2        | 124A      | Loose Key Stop Spindle, RTC w/ T-Handle & Mounting Screw |
| 3        | B-0972    | Vacuum Breaker, 3/4" Garden Hose Male Outlet             |



002432-45  
T-Handle Screw



001802-45  
T-Handle

**Product Specifications:**

Single Hole Single Temperature Wall Mount Sill Faucet, Loose Key Stop Shut-Off, Vacuum Breaker w/ Garden Hose Male Outlet, Polished Chrome Finish & 3/4" NPT Female Inlet

**Product Compliance:**

ASME A112.18.1 / CSA B125.1  
 NSF 61 - Section 9  
 NSF 372 (Low Lead Content)  
 ASSE 1011 (VB)