



T&S BRASS AND BRONZE WORKS, INC.

2 Saddleback Cove / P.O. Box 1088
Travelers Rest, SC 29690

Model No.

B-0712-PA

Item No.

Travelers Rest, SC: 800-476-4103 • Simi Valley, CA: 800-423-0150 • Fax: 864-834-3518 • www.tsbrass.com



ADA Compliant

This Space for Architect/Engineer Approval

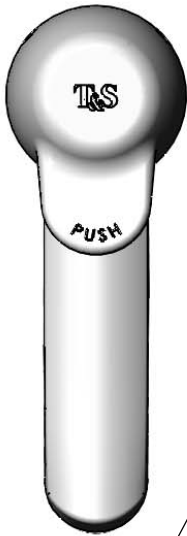
Job Name _____ Date _____

Model Specified _____ Quantity _____

Customer/Wholesaler _____

Contractor _____

Architect/Engineer _____



Pivot Action Metering Cartridge
w/ Blank Handle & Vandal Resistant
Screw

Vandal Resistant Screw.
Loosen Screw (Do Not
Remove) and Flip Handle
Up to Access Metering
Adjustment.
(Metering Adjustment
Requires 3/32" Hex Key)

B-0199-02
2.2 GPM
Aerator

Ø 1 3/4"
[44mm]
Base

Mounting
Surface

2 5/16"
[59mm]

1/2" NPSM
Male Inlet

150A
Optional Tailpiece & Nut
For 1/4" NPT Connection
(Included)

Spanner Bit for Access
to Metering Adjustment
Included. (Metering
Adjustment Requires
3/32" Hex Key)

4 1/8"
[105mm]

4 11/16"
[119mm]

13/16"
[21mm]
Maximum
Thickness

Rough-In Requirement:
Ø 1 1/8" [29mm] Mounting Hole

Product Specifications:

Single Hole Single Temperature Deck Mount Basin Faucet, Pivot Action
Metering Cartridge, 2.2 GPM Aerator & 1/2" NPSM Male Inlet

Product Compliance:

ASME A112.18.1 / CSA B125.1
NSF 61 - Section 9
NSF 372 (Low Lead Content)
ANSI A117.1 (ADA)



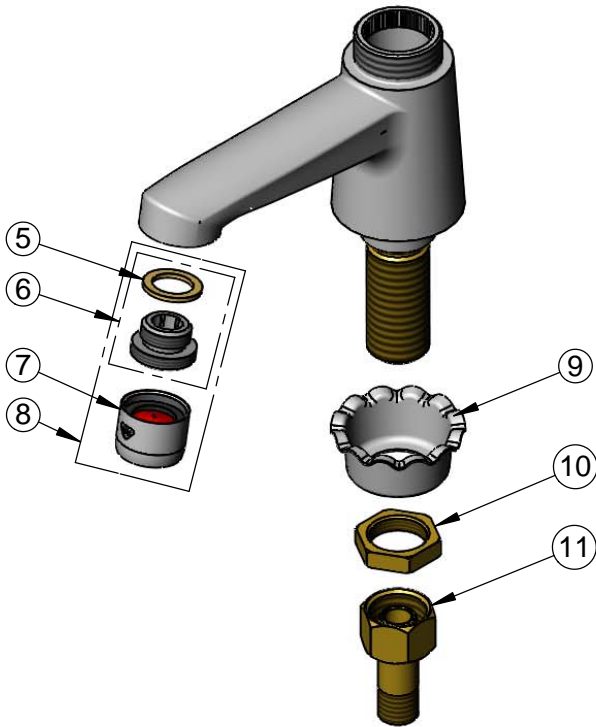
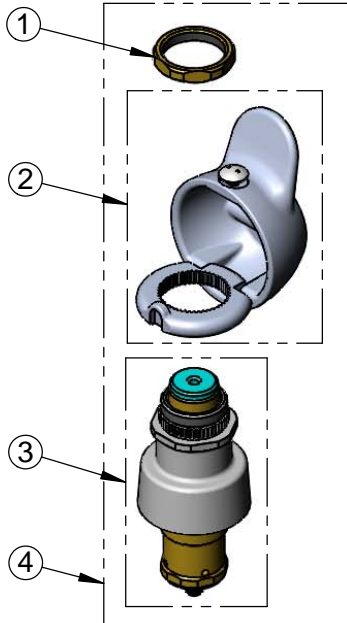
T&S BRASS AND BRONZE WORKS, INC.
 2 Saddleback Cove / P.O. Box 1088
 Travelers Rest, SC 29690

Model No.
B-0712-PA

Item No.

Travelers Rest, SC: 800-476-4103 • Simi Valley, CA: 800-423-0150 • Fax: 864-834-3518 • www.tsbrass.com

| ITEM NO. | SALES NO. | DESCRIPTION |
|----------|-----------|--|
| 1 | PA-N | Retaining Nut |
| 2 | PA-B | Blank Pivot Action Handle w/ Spanner Bit |
| 3 | 238A-PA | Pivot Action Metering Cartridge w/ Retaining Nut |
| 4 | 238AB-PA | Pivot Action Metering Cartridge w/ Blank PA Handle & Spanner Bit |
| 5 | 001043-45 | Washer |
| 6 | 044A | 3/8" to Aerator Adapter w/ Washer |
| 7 | B-0199-01 | 2.2 GPM Aerator, 55/64"-27 UN Female |
| 8 | B-0199-02 | 2.2 GPM Aerator, 3/8" NPSM Male |
| 9 | 001000-45 | Rosette Washer |
| 10 | 002954-45 | Shank Lock Nut |
| 11 | 150A | 1/4" NPT Tailpiece & Nut |



014734-45
 #8 Spanner Bit



016654-45
 Pivot Action Handle
 VR Screw

Product Specifications:
 Single Hole Single Temperature Deck Mount Basin Faucet, Pivot Action Metering Cartridge, 2.2 GPM Aerator & 1/2" NPSM Male Inlet

Product Compliance:
 ASME A112.18.1 / CSA B125.1
 NSF 61 - Section 9
 NSF 372 (Low Lead Content)
 ANSI A117.1 (ADA)



T&S BRASS AND BRONZE WORKS, INC.

2 Saddleback Cove / P.O. Box 1088
Travelers Rest, SC 29690

Model No.

B-0712-VF05-PA

Item No.

Travelers Rest, SC: 800-476-4103 • Simi Valley, CA: 800-423-0150 • Fax: 864-834-3518 • www.tsbrass.com



ADA Compliant

This Space for Architect/Engineer Approval

Job Name _____ Date _____

Model Specified _____ Quantity _____

Customer/Wholesaler _____

Contractor _____

Architect/Engineer _____



Pivot Action Metering Cartridge
w/ Blank Handle & Vandal Resistant
Screw

Loosen Vandal Resistant
Screw (Do Not Remove).
Flip Handle Up to Access
Metering Adjustment.
(Metering Adjustment
Requires 3/32" Hex Key)



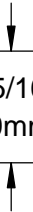
Ø 1 3/4"
[44mm]
Base



B-0199-07-N05
VR.0.5 GPM
Non-Aerated
Spray Device

Mounting Surface

2 5/16"
[59mm]



1/2" NPSM
Male Inlet

7/8"
[22mm]

150A
Optional Tailpiece & Nut
for 1/4" NPT Connection
(Included)



4 11/16"
[119mm]

13/16"
[21mm]
Maximum
Thickness

4 1/8"
[105mm]



Spanner Bit for Access
to Metering Adjustment
(Included)



Vandal Resistant Key
(Included)

Rough-In Requirement:
Ø 1 1/8" [29mm] Mounting Hole

Product Specifications:

Single Hole, Single Temperature Deck Mount Sill Faucet, Pivot Action Metering Cartridge, VR 0.5 GPM Non-Aerated Spray Device & 1/2" NPSM Male Inlet

Product Compliance:

ASME A112.18.1 / CSA B125.1
NSF 61 - Section 9
NSF 372 (Low Lead Content)
ANSI A117.1 (ADA)



T&S BRASS AND BRONZE WORKS, INC.

2 Saddleback Cove / P.O. Box 1088
Travelers Rest, SC 29690

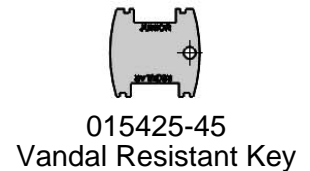
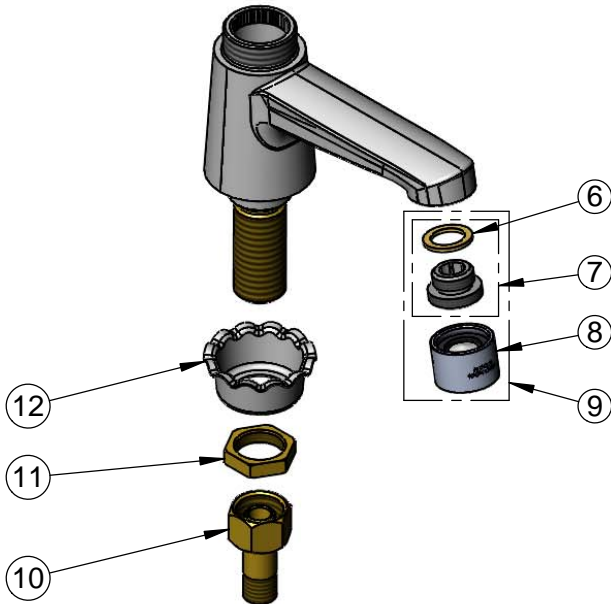
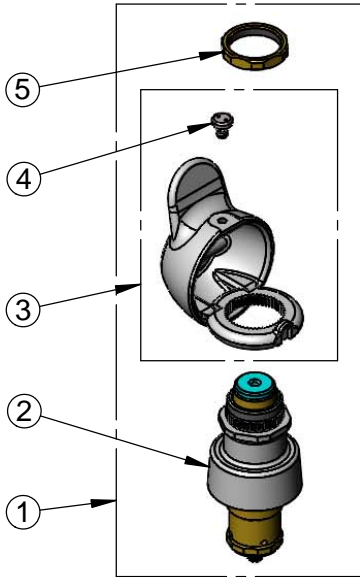
Model No.

B-0712-VF05-PA

Item No.

Travelers Rest, SC: 800-476-4103 • Simi Valley, CA: 800-423-0150 • Fax: 864-834-3518 • www.tsbrass.com

| ITEM NO. | SALES NO. | DESCRIPTION |
|----------|---------------|--|
| 1 | 238AB-PA | Pivot Action Metering Cartridge w/ Blank PA Handle & Spanner Bit |
| 2 | 238A-PA | Pivot Action Metering Cartridge w/ Retaining Nut |
| 3 | PA-B | Blank Pivot Action Handle w/ Spanner Bit |
| 4 | 016654-45 | Vandal Resistant SS Screw |
| 5 | PA-N | Retaining Nut |
| 6 | 001043-45 | Washer |
| 7 | 044A | 3/8" to Aerator Adapter |
| 8 | B-0199-06-N05 | VR 0.5 GPM Non-Aerated Spray Device, 55/64-27 UN Female w/ Key |
| 9 | B-0199-07-N05 | VR 0.5 GPM Non-Aerated Spray Device, 3/8" NPSM Male w/ Key |
| 10 | 150A | 1/4" NPT Tailpiece & Nut |
| 11 | 002954-45 | Shank Lock Nut |
| 12 | 001000-45 | Rosette Washer |



Product Specifications:

Single Hole, Single Temperature Deck Mount Sill Faucet, Pivot Action Metering Cartridge, VR 0.5 GPM Non-Aerated Spray Device & 1/2" NPSM Male Inlet

Product Compliance:

ASME A112.18.1 / CSA B125.1
NSF 61 - Section 9
NSF 372 (Low Lead Content)
ANSI A117.1 (ADA)



T&S BRASS AND BRONZE WORKS, INC.

2 Saddleback Cove / P.O. Box 1088
Travelers Rest, SC 29690

Model No.

B-2490-PA

Item No.

Travelers Rest, SC: 800-476-4103 • Simi Valley, CA: 800-423-0150 • Fax: 864-834-3518 • www.tsbrass.com



ADA Compliant

This Space for Architect/Engineer Approval

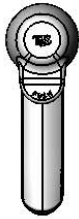
Job Name _____ Date _____

Model Specified _____ Quantity _____

Customer/Wholesaler _____

Contractor _____

Architect/Engineer _____



Pivot Action Metering Cartridge
w/ Blank Pivot Action Handle

Vandal Resistant Screw.
Loosen Screw (Do Not
Remove) and Flip Handle
Up to Access Metering
Adjustment.
(Metering Adjustment
Requires 3/32" Hex Key)



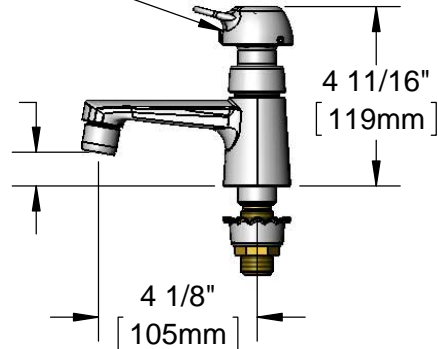
Ø 1 3/4"
[44mm]
Base

B-0199-02
2.2 GPM Aerator

7/8"
[22mm]

Mounting Surface

13/16"
[21mm]
Maximum
Thickness



4 11/16"
[119mm]

4 1/8"
[105mm]

Temperature Mixing Valve
w/ Integral Check Valves

18" Flexible Stainless Steel
Supply Hoses

Compression Fittings
for 5/8" O.D. Copper Tubing
(Remove Compression Nut
for 1/2" NPSM Male)

Spanner Bit for
Access to Metering
Adjustment Included.
(Metering Adjustment
Requires 3/32" Hex Key)



Rough-In Requirement:
Ø 1 1/8" [29mm] Mounting Hole

Product Specifications:

Single Hole Single Temperature Deck Mount Basin Faucet, Pivot Action Metering Cartridge, Blank Pivot Action Handle w/ VR Screw, 2.2 GPM Aerator, Temperature Control Mixing Valve w/ Integral Check Valves & 18" Flexible Stainless Steel Supply Hoses w/ 1/2" NPSM Male Inlets

Product Compliance:

ASME A112.18.1 / CSA B125.1
NSF 61 - Section 9
NSF 372 (Low Lead Content)
ANSI A117.1 (ADA)



T&S BRASS AND BRONZE WORKS, INC.

2 Saddleback Cove / P.O. Box 1088
Travelers Rest, SC 29690

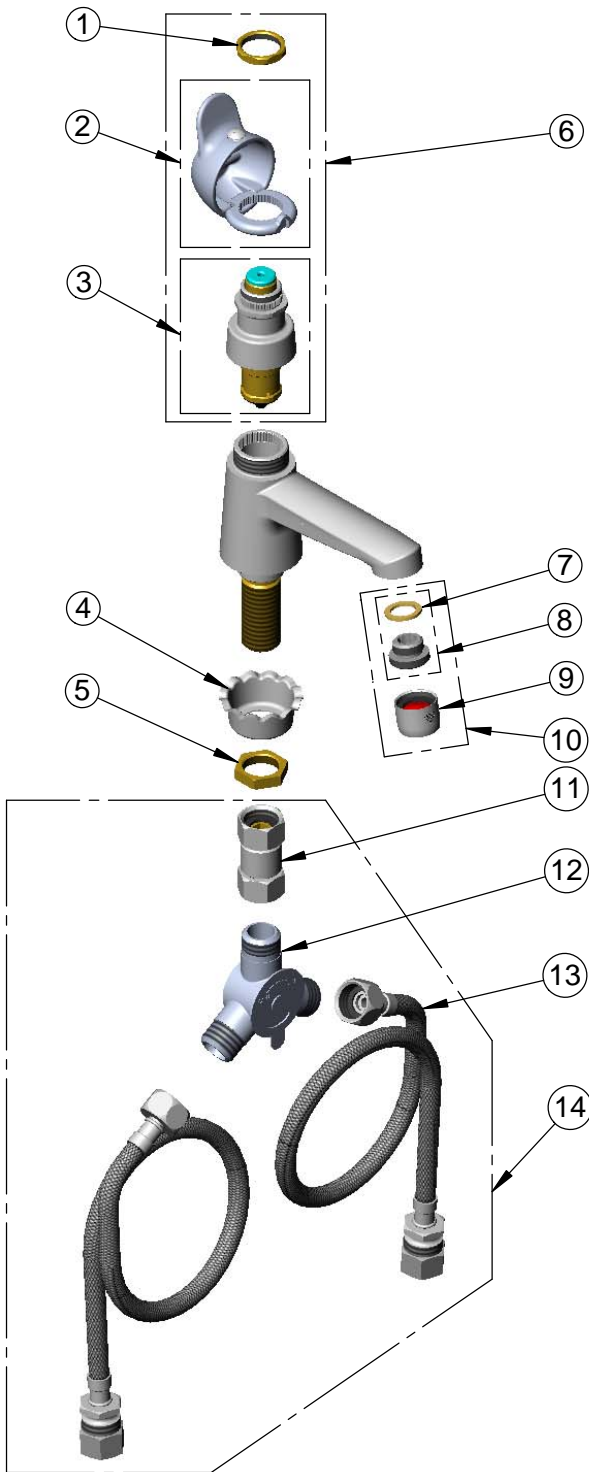
Model No.

B-2490-PA

Item No.

Travelers Rest, SC: 800-476-4103 • Simi Valley, CA: 800-423-0150 • Fax: 864-834-3518 • www.tsbrass.com

| ITEM NO. | SALES NO. | DESCRIPTION |
|----------|-----------|--|
| 1 | PA-N | Retaining Nut |
| 2 | PA-B | Blank Pivot Action Handle w/ Retaining Nut and Spanner Bit |
| 3 | 238A-PA | Pivot Action Metering Cartridge w/ Retaining Nut |
| 4 | 001000-45 | Rosette Washer |
| 5 | 002954-45 | Shank Lock Nut |
| 6 | 238AB-PA | Pivot Action Metering Cartridge w/ Blank PA Handle & Spanner Bit |
| 7 | 001043-45 | Washer |
| 8 | 044A | 3/8" to Aerator Adapter w/ Washer |
| 9 | B-0199-01 | 2.2 GPM Aerator, 55/64"-27 UN Female |
| 10 | B-0199-02 | 2.2 GPM Aerator, 3/8" NPSM Male |
| 11 | 017506-45 | 1/2" NPSM Swivel Coupling |
| 12 | 5EF-0006 | Mechanical Mixing Valve |
| 13 | 019192-45 | Flexible Connector Hose (2) |
| 14 | 019321-40 | Temperature Control Mixing Valve w/ Flexible 1/2" NPSM Male Inlets |



014734-45
#8 Spanner Bit



016654-45
Pivot Action Handle
VR Screw

Product Specifications:

Single Hole Single Temperature Deck Mount Basin Faucet, Pivot Action Metering Cartridge, Blank Pivot Action Handle w/ VR Screw, 2.2 GPM Aerator, Temperature Control Mixing Valve w/ Integral Check Valves & 18" Flexible Stainless Steel Supply Hoses w/ 1/2" NPSM Male Inlets

Product Compliance:

ASME A112.18.1 / CSA B125.1
NSF 61 - Section 9
NSF 372 (Low Lead Content)
ANSI A117.1 (ADA)