



# Single Sill Faucets

## B-0703

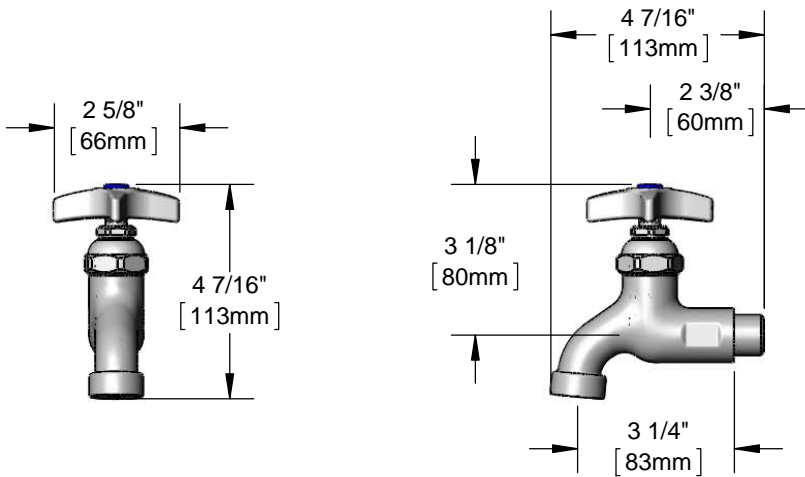
TAG:

*Sill Faucet*

### Architect/Engineering Specifications:

Single hole, single temperature wall mount faucet with polished chrome plated brass body, plain end outlet, compression cartridge, 4-arm handle and 1/2" NPT male inlet. Certified to ASME A112.18.1/CSA B125.1, NSF 61-Section 9 and NSF 372. Meets ADA ANSI/ICC A117.1 requirements.

Job Name \_\_\_\_\_  
 Model Specified \_\_\_\_\_ Quantity \_\_\_\_\_  
 Variations Specified \_\_\_\_\_  
 Date \_\_\_\_\_



### Features & Benefits:

- Single hole, single temperature wall mount faucet
- Plain end outlet
- Eterna compression cartridge
- 4-arm handle with color coded index
- 1/2" NPT male inlet
- Material: Polished chrome plated brass body, chrome plated metal handle

### Product Compliance:

- ASME A112.18.1 / CSA B125.1
- NSF 61 - Section 9
- NSF 372 (Low Lead Content)
- ANSI A117.1 (ADA)

**Warranty:** One Year (Limited)

### Performance Data:

- Pressure: 20 - 125 psi
- Temperature: 40°F - 140°F
- Flow Rate: 6.25 GPM @ 60 psi



**ADA Compliant**

### Optional Handles

- 4" Wrist Action
- Lever
- 4-Arm (Standard)

### Optional Cartridges

- Quarter Turn Cerama
- Eterna (Standard)
- Quarter Turn Eterna
- Push Button Metering
- Pivot Action Metering
- Wrist Action Metering



**T&S BRASS AND BRONZE WORKS, INC.**



• 2 Saddleback Cove • Travelers Rest, SC 29690  
 Ph 800-476-4103 • Fax 864-834-3518  
 • Simi Valley, CA • Ph 800-423-0150 • www.tsbrass.com

Date: 04/10/15