



T&S BRASS AND BRONZE WORKS, INC.
 2 Saddleback Cove / P.O. Box 1088
 Travelers Rest, SC 29690

Model No.
B-0700

Item No.

Travelers Rest, SC: 800-476-4103 • Simi Valley, CA: 800-423-0150 • Fax: 864-834-3518 • www.tsbrass.com



ADA Compliant

This Space for Architect/Engineer Approval

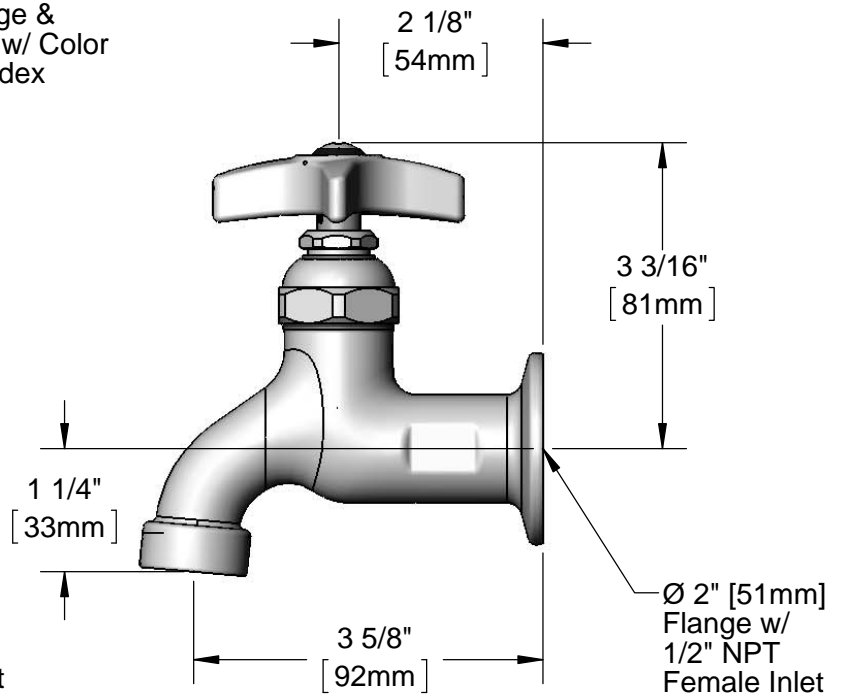
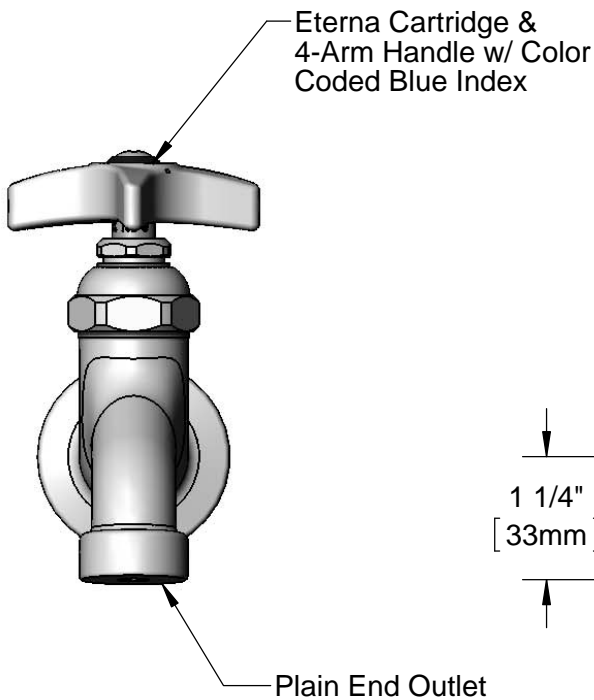
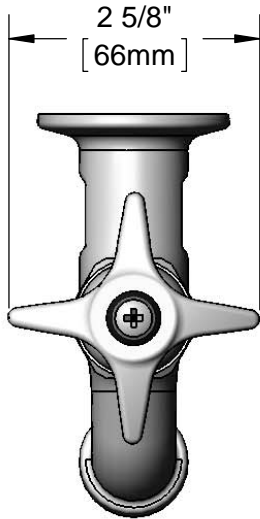
Job Name _____ Date _____

Model Specified _____ Quantity _____

Customer/Wholesaler _____

Contractor _____

Architect/Engineer _____



Product Specifications:
 Single Sink Wall Mount Faucet, Eterna Cartridge, 4-Arm Handle w/ Blue Index, Plain End Outlet & 1/2" NPT Female Inlet

Product Compliance:
 ASME A112.18.1 / CSA B125.1
 NSF 61 - Section 9
 NSF 372 (Low Lead Content)
 ANSI A117.1 (ADA)



T&S BRASS AND BRONZE WORKS, INC.

2 Saddleback Cove / P.O. Box 1088
Travelers Rest, SC 29690

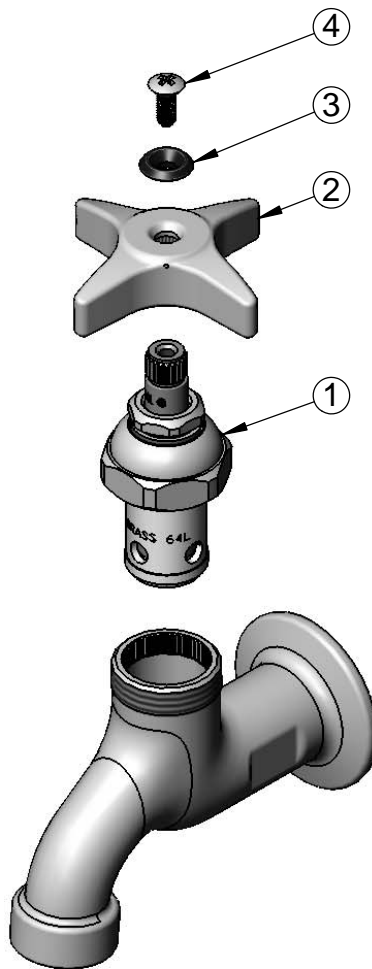
Model No.

B-0700

Item No.

Travelers Rest, SC: 800-476-4103 • Simi Valley, CA: 800-423-0150 • Fax: 864-834-3518 • www.tsbrass.com

ITEM NO.	SALES NO.	DESCRIPTION
1	005960-40	Eterna Cartridge, RTC
2	002521-45	4-Arm Handle
3	001660-45	Blue Index-CW
4	000922-45	Lever Handle Screw



Product Specifications:

Single Sink Wall Mount Faucet, Eterna Cartridge, 4-Arm Handle w/ Blue Index, Plain End Outlet & 1/2" NPT Female Inlet

Product Compliance:

ASME A112.18.1 / CSA B125.1
NSF 61 - Section 9
NSF 372 (Low Lead Content)
ANSI A117.1 (ADA)



T&S BRASS AND BRONZE WORKS, INC.

2 Saddleback Cove / P.O. Box 1088
Travelers Rest, SC 29690



REG. #A2601
ISO #9001

Model No.

B-0700-LT-CR-K

Item No.

Travelers Rest, SC: 800-476-4103 • Simi Valley, CA: 800-423-0150 • Fax: 864-834-3518 • www.tsbrass.com

This Space for Architect/Engineer Approval

Job Name _____ Date _____

Model Specified _____ Quantity _____

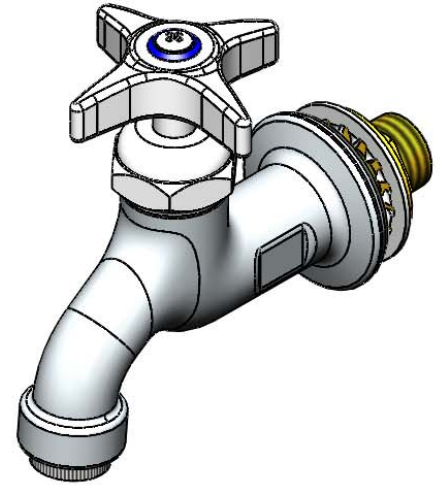
Customer/Wholesaler _____

Contractor _____

Architect/Engineer _____

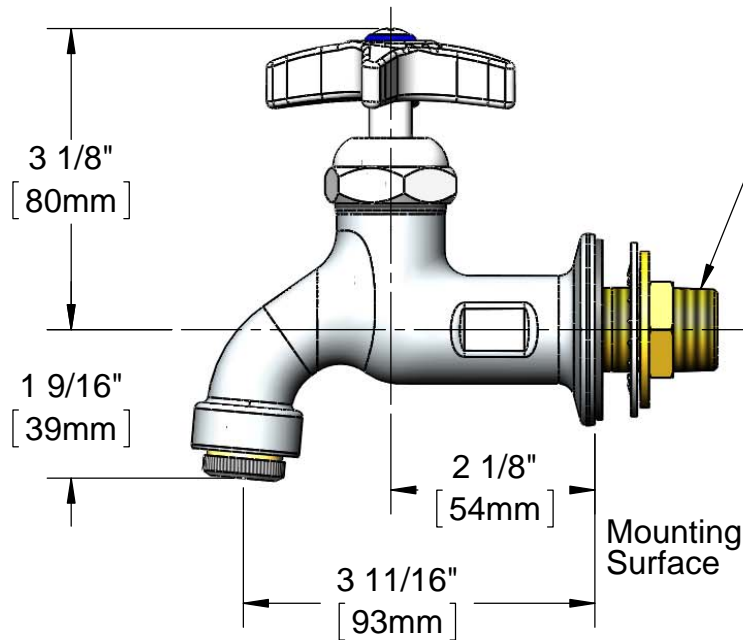
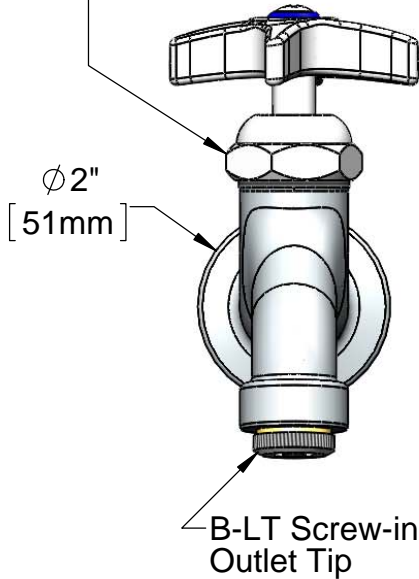


ADA Compliant



Cerama Cartridge
w/ 4-Arm Handle
and Blue Color
Coded Index

Inlet Installation Kit Includes 1/2 NPT Nipple, Rubber Deck Seal, Toothed Lock Washer, Flat Washer and Hex Nut. Faucet Body is 1/2 NPT Female Without Installation Kit.



Rough-in: ϕ 1" [28mm] Hole

Product Specifications:
Single Temp Sill Faucet with 1/2 NPT Male Installation Kit,
Cerama Cartridge, 4-Arm Handle with Blue Index and B-LT
Outlet Tip.

Drawn
GEF

Checked
JRM

Approved
JHB

Scale:
1:2

Date:
07/14/11



T&S BRASS AND BRONZE WORKS, INC.

2 Saddleback Cove / P.O. Box 1088
Travelers Rest, SC 29690



REG. #A2601
ISO #9001

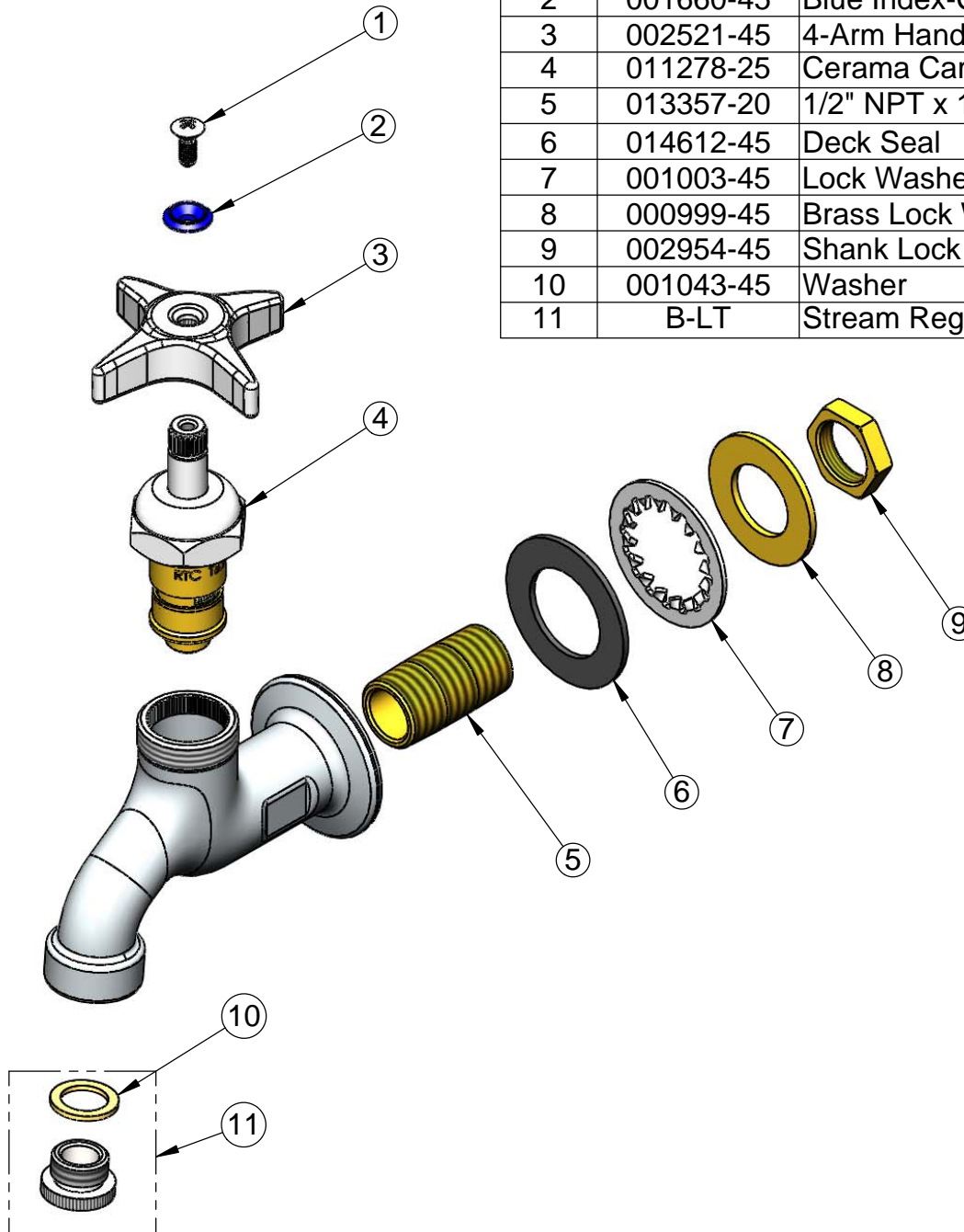
Model No.

B-0700-LT-CR-K

Item No.

Travelers Rest, SC: 800-476-4103 • Simi Valley, CA: 800-423-0150 • Fax: 864-834-3518 • www.tsbrass.com

ITEM NO.	SALES NO.	DESCRIPTION
1	000922-45	Lever Handle Screw
2	001660-45	Blue Index-CW
3	002521-45	4-Arm Handle
4	011278-25	Cerama Cartridge, RTC
5	013357-20	1/2" NPT x 1-5/8" Lg. Close Nipple
6	014612-45	Deck Seal
7	001003-45	Lock Washer, Int. Tooth, 1 5/32" ID
8	000999-45	Brass Lock Washer
9	002954-45	Shank Lock Nut
10	001043-45	Washer
11	B-LT	Stream Regulator Outlet



Product Specifications:

Single Temp Sill Faucet with 1/2 NPT Male Installation Kit, Cerama Cartridge, 4-Arm Handle with Blue Index and B-LT Outlet Tip.

Drawn

GEF

Checked

JRM

Approved

JHB

Scale:

NTS

Date:

07/14/11



T&S BRASS AND BRONZE WORKS, INC.

2 SADDLEBACK COVE / P.O. BOX 1088 / TRAVELERS REST, SC 29690

PHONE 800-476-4103

FAX 864-834-3518



REG.#A2601
ISO #9002

Model No.

B-0700-124A

Item No.:

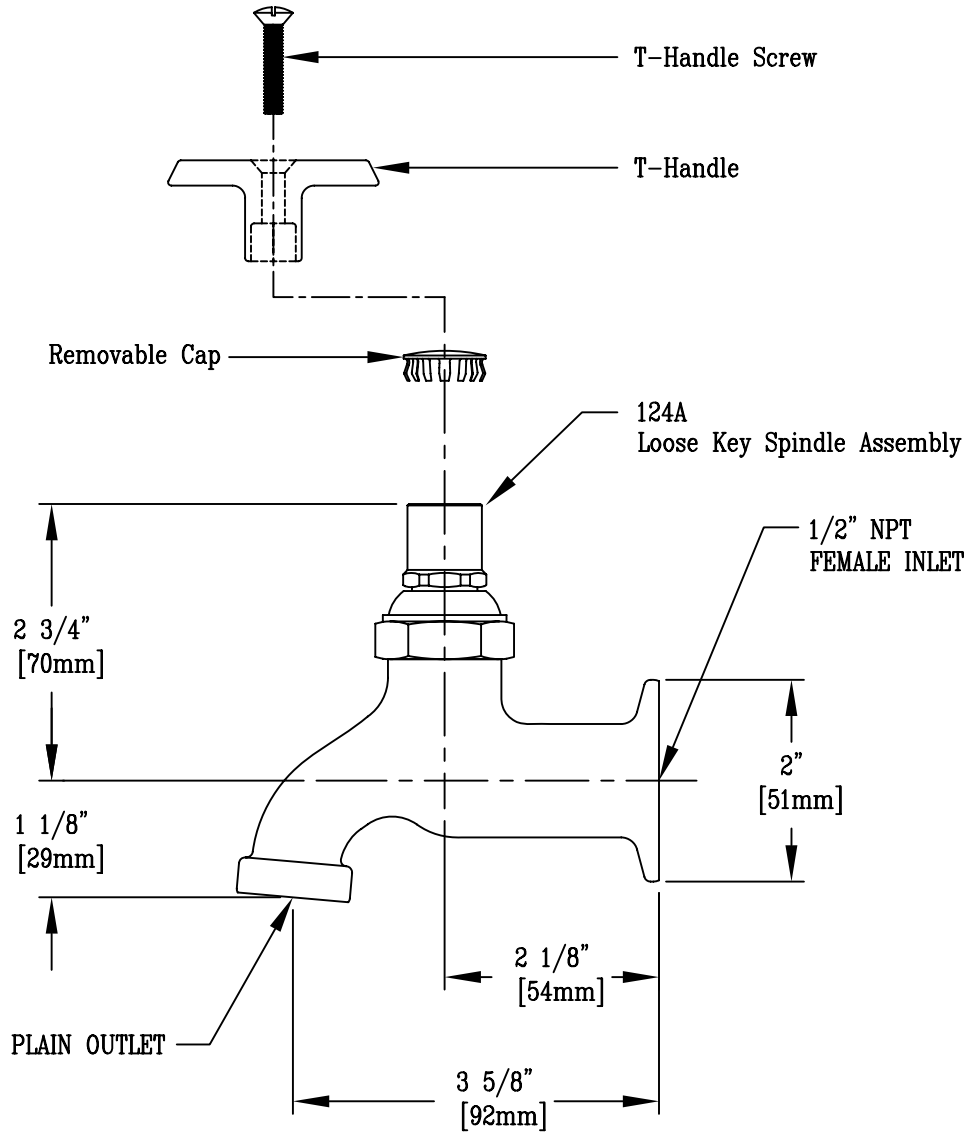
Job Name:

Architect/Engineer Approval:

Notes:



ADA COMPLIANT



Product Description:

Single Sink Faucet w/ 1/2" NPT
Female Inlet & Loose Key Stop

Drawn:

KJG

Checked

DHL

Scale:

1 : 2

Approved

JHB

Date:

08/26/08



T&S BRASS AND BRONZE WORKS, INC.

2 SADDLEBACK COVE / P.O. BOX 1088 / TRAVELERS REST, SC 29690

PHONE 800-476-4103

FAX 864-834-3518



REG. #A2601
ISO #9002

Model No.

B-0702

Item No.:

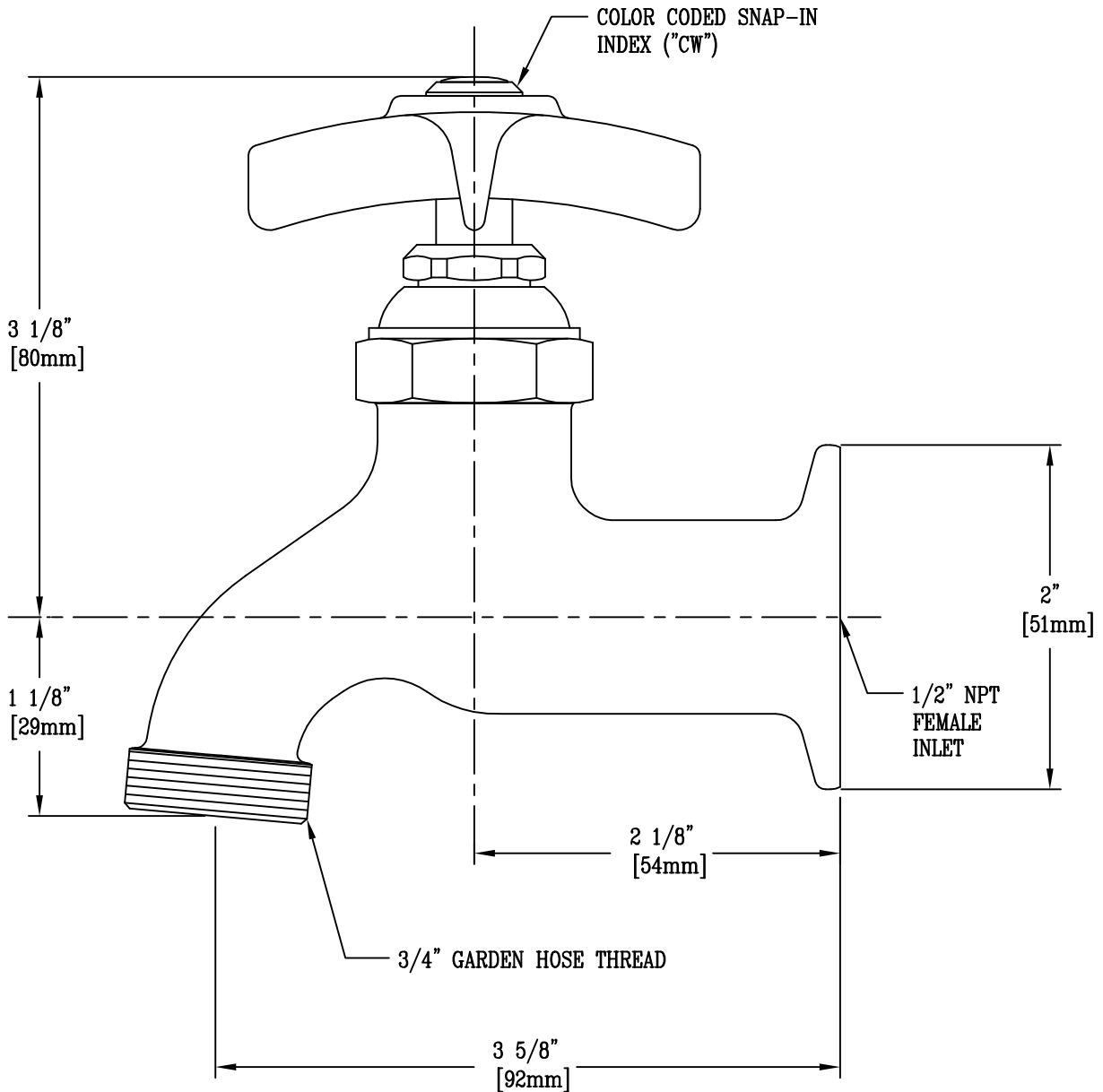
Job Name:

Architect/Engineer Approval:

Notes:



ADA COMPLIANT



Product Description:

SINGLE SINK FAUCET WITH 1/2" NPT FEMALE INLET, 4-ARM HANDLE, 3/4" HOSE OUTLET, & BLUE "CW" SNAP-IN INDEX

Drawn:

TEH

Checked

WJS

Scale:

1 : 1

Approved

MVW

Date:

2/7/05