



# T&S BRASS AND BRONZE WORKS, INC.

2 Saddleback Cove / P.O. Box 1088  
Travelers Rest, SC 29690

Model No.

**B-0682-ST**

Item No.

Travelers Rest, SC: 800-476-4103 • Simi Valley, CA: 800-423-0150 • Fax: 864-834-3518 • www.tsbrass.com

This Space for Architect/Engineer Approval

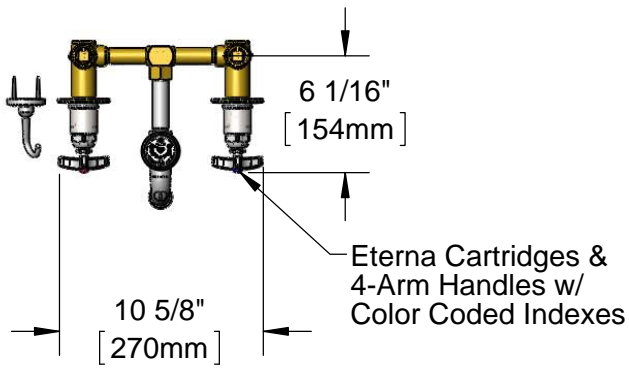
Job Name \_\_\_\_\_ Date \_\_\_\_\_

Model Specified \_\_\_\_\_ Quantity \_\_\_\_\_

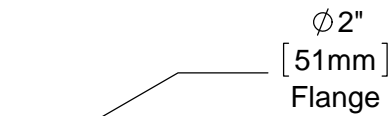
Customer/Wholesaler \_\_\_\_\_

Contractor \_\_\_\_\_

Architect/Engineer \_\_\_\_\_



Eterna Cartridges &  
4-Arm Handles w/  
Color Coded Indexes

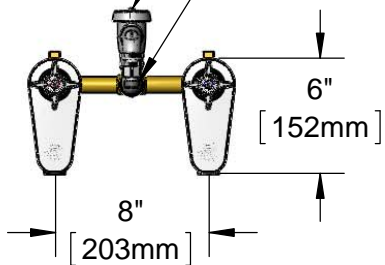


Ø2"  
[51mm]  
Flange

B-0068-R  
68" Reinforced PVC  
Hose & Spray Valve  
w/ Extended Nozzle

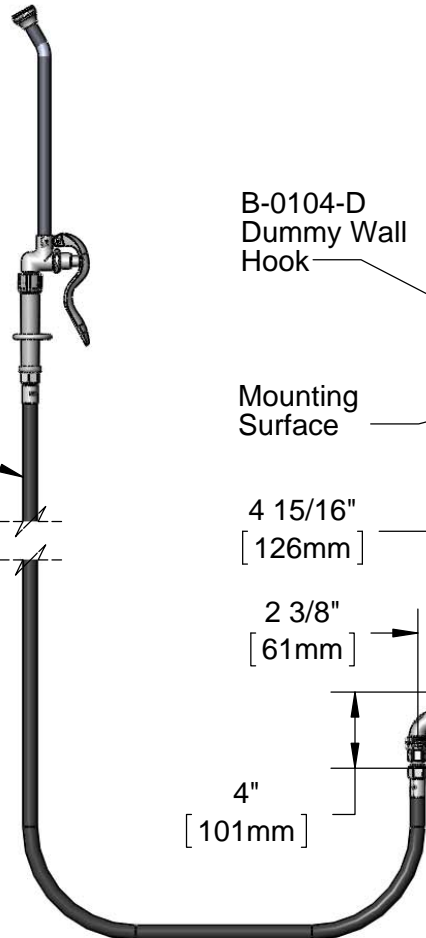
B-0969  
Vacuum Breaker

Items Not Shown  
for Clarity



6"  
[152mm]

8"  
[203mm]



B-0104-D  
Dummy Wall  
Hook

Mounting  
Surface

4 15/16"  
[126mm]

2 3/8"  
[61mm]

4"  
[101mm]

3 1/2"  
[89mm]  
Maximum

Concealed  
Mixing Valve

Loose Key  
Valve Behind  
Wall Flanges

1/2" NPT  
Female Inlets

2 1/4"  
[57mm]  
Minimum

Rough-In Requirement:  
(2) Ø1 1/2" [38mm] Mounting Holes

**Product Specifications:**

Bedpan Washer, 8" Concealed Bypass Mixing Valve, Eterna Cartridges, 4-Arm Handles, Vacuum Breaker, 68" Reinforced PVC Hose, Spray Valve w/ Extended Nozzle, Dummy Wall Hook, Loose Key Stops & 1/2" NPT Female Inlets

**Product Compliance:**

ASME A112.18.1 / CSA B125.1  
NSF 61 - Section 9  
NSF 372 (Low Lead Content)  
ASSE 1001 (VB)



# T&S BRASS AND BRONZE WORKS, INC.

2 Saddleback Cove / P.O. Box 1088  
Travelers Rest, SC 29690

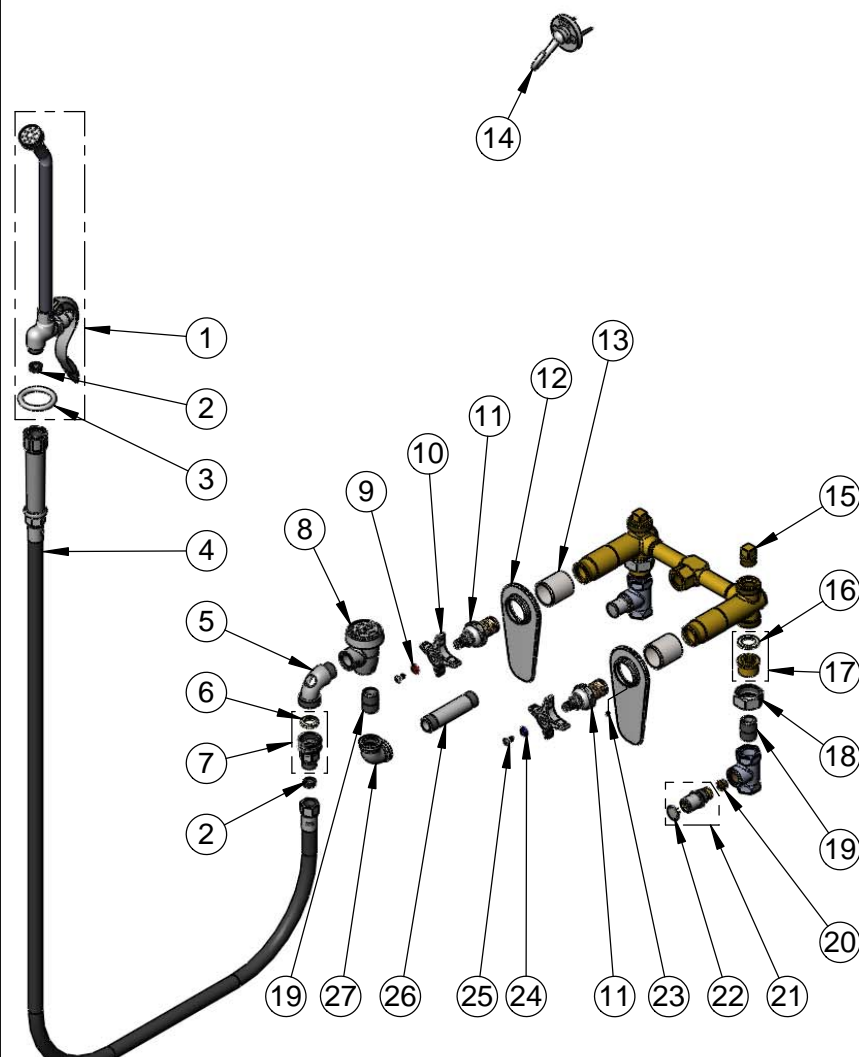
Model No.

**B-0682-ST**

Item No.

Travelers Rest, SC: 800-476-4103 • Simi Valley, CA: 800-423-0150 • Fax: 864-834-3518 • www.tsbrass.com

	ITEM NO.	SALES NO.	DESCRIPTION
		1	002865-40
	2	010476-45	#27 Washer
	3	000907-45	Spray Valve Hold Down Ring
	4	B-0068-R	68" Reinforced PVC Hose
	5	001618-40	Spout, Short
	6	001019-45	Coupling Nut Washer
	7	059A	Adapter, Garden Hose
	8	B-0969	1/2" NPT Vacuum Breaker
	9	001661-45	Red Index-HW
	10	002521-45	4-Arm Handle
	11	005960-40	Eterna Cartridge, RTC
	12	002820-40	Escutcheon, Tear Drop
	13	151F	Escutcheon Tube
	14	B-0104	Dummy Wall Hook
	15	001347-20	1/2" NPT Square Head Plug
	16	001019-45	Coupling Nut Washer
	17	153F	Union Half, 1/2 NPT w/ Washer
	18	000721-25	Flange Coupling Nut
	19	002534-25	Close Nipple, 1/2" NPT
	20	000763-20	Seat
	21	002892-40	Service Stop Spindle w/ Cap
	22	001605-45	Cap
	23	000939-45	Escutcheon, Set Screw
	24	001660-45	Blue Index-CW
	25	000922-45	Lever Handle Screw
	26	002556-40	Nipple, 1/2" NPT x 3 1/2"
	27	001357-40	Cast Elbow, 1/2"



**Product Specifications:**  
Bedpan Washer, 8" Concealed Bypass Mixing Valve, Eterna Cartridges, 4-Arm Handles, Vacuum Breaker, 68" Reinforced PVC Hose, Spray Valve w/ Extended Nozzle, Dummy Wall Hook, Loose Key Stops & 1/2" NPT Female Inlets

**Product Compliance:**  
ASME A112.18.1 / CSA B125.1  
NSF 61 - Section 9  
NSF 372 (Low Lead Content)  
ASSE 1001 (VB)



**T&S BRASS AND BRONZE WORKS, INC.**

2 SADDLEBACK COVE / P.O. BOX 1088 / TRAVELERS REST, SC 29690

PHONE 800-476-4103

FAX 803- 834-3518

Model No.

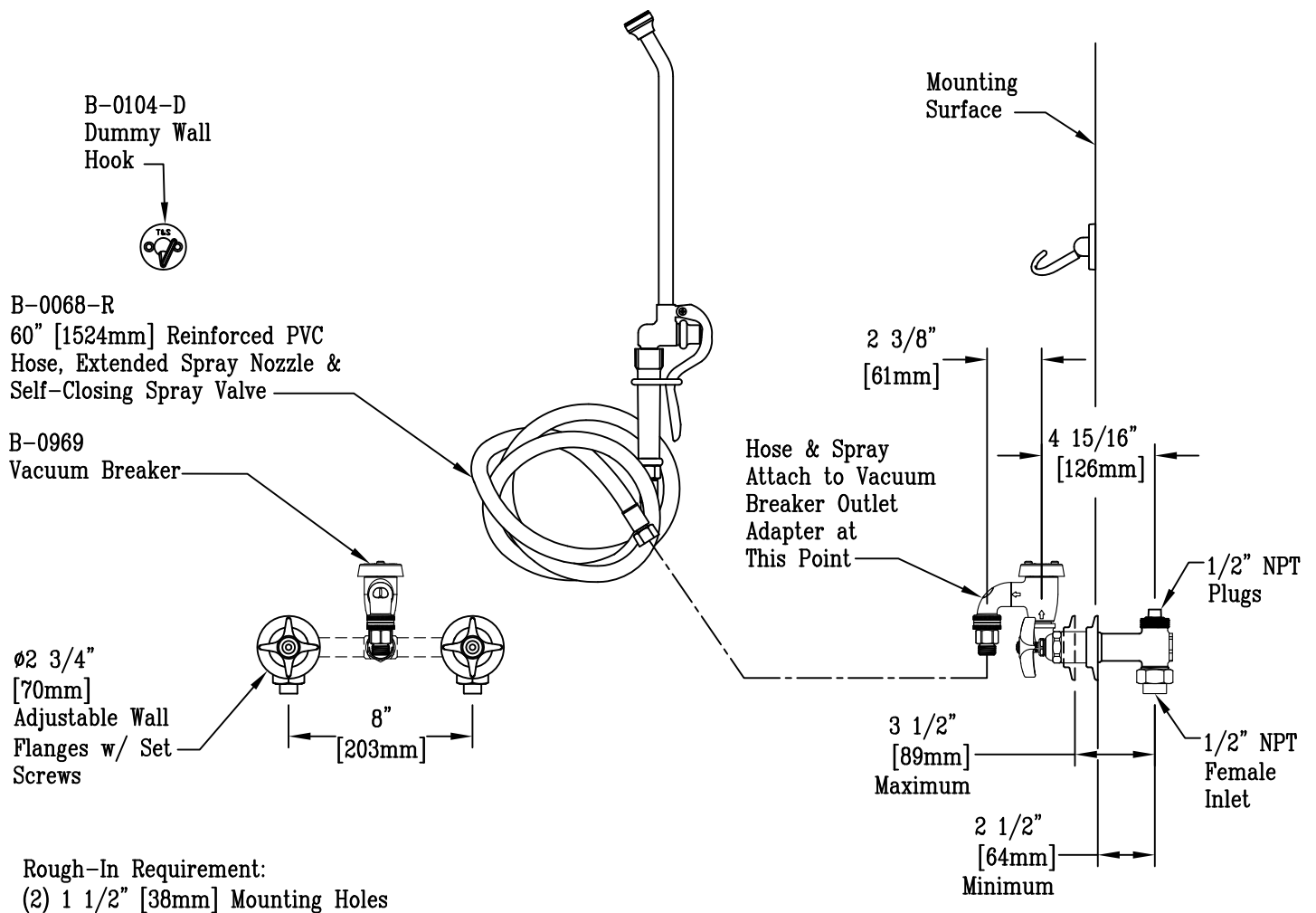
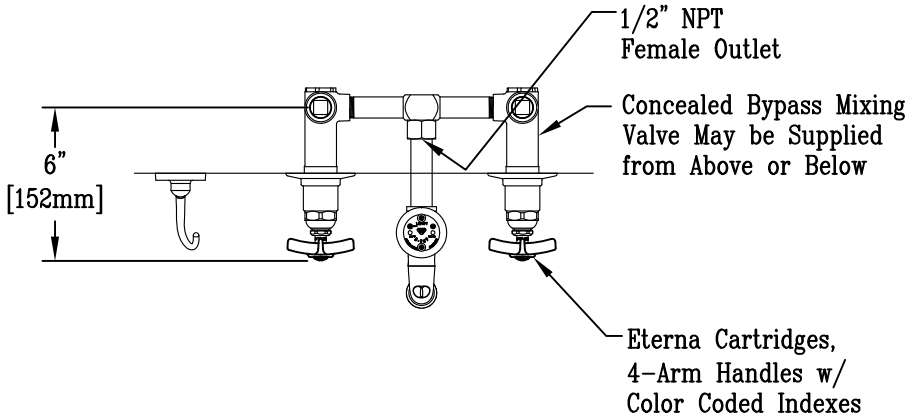
B-0682

Item No.:

Job Name:

Architect/Engineer Approval:

Notes:



Product Description:  
8" Bedpan Washer, Eterna Cartridges, 4-Arm Handles, Concealed Mixing Valve, Vacuum Breaker, Self-Closing Valve w/ Extended Spray Outlet & 1/2" NPT Female Inlets

Drawn: KJG	Checked DMH	Scale: 1 : 8
Approved JHB	Date: 03/17/14	



**T&S BRASS AND BRONZE WORKS, INC.**  
 2 Saddleback Cove / P.O. Box 1088  
 Travelers Rest, SC 29690

Model No.  
**B-0682-107**

Item No.

Travelers Rest, SC: 800-476-4103 • Simi Valley, CA: 800-423-0150 • Fax: 864-834-3518 • www.tsbrass.com

**EPAct 2005 Compliant**

This Space for Architect/Engineer Approval

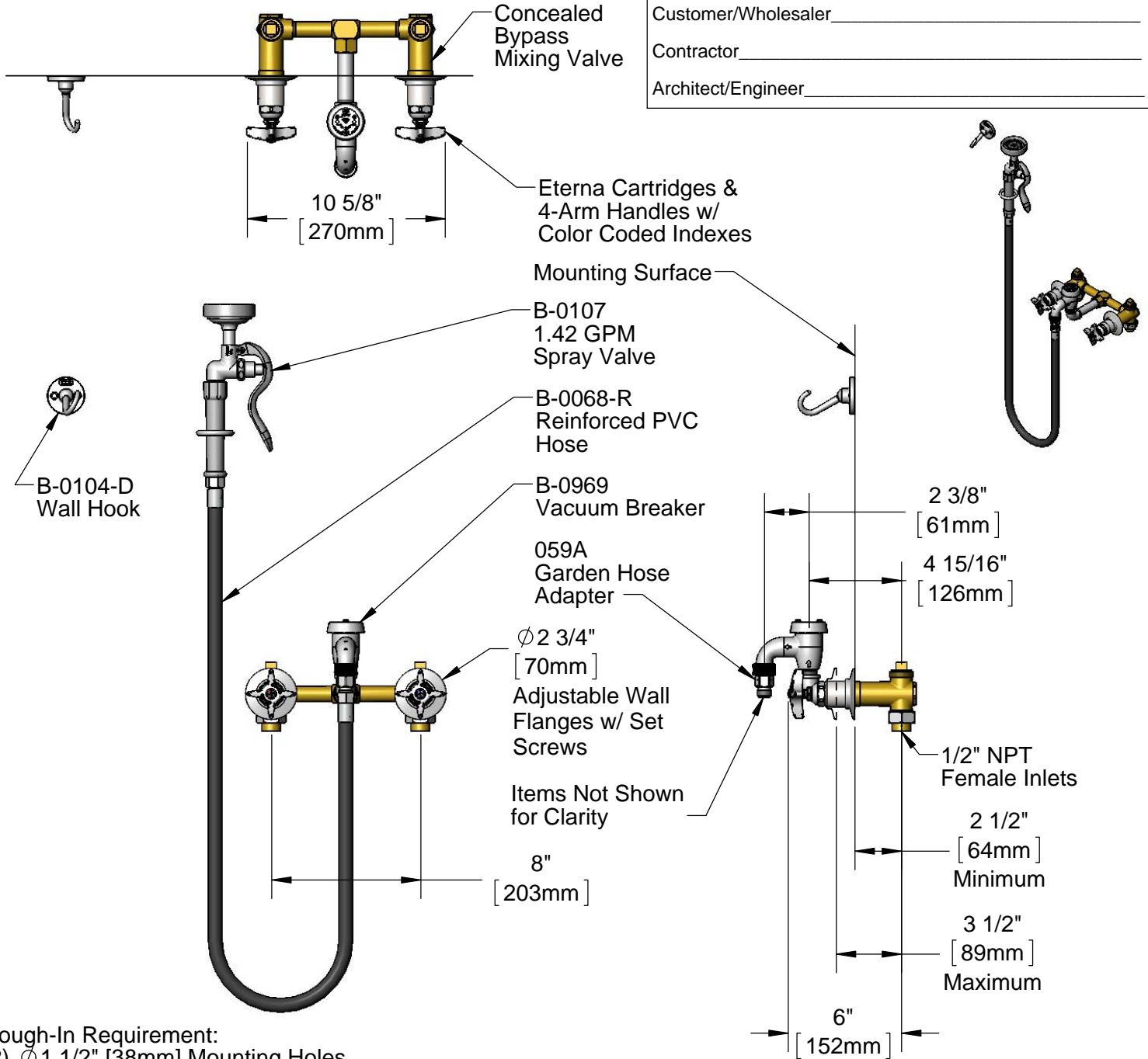
Job Name \_\_\_\_\_ Date \_\_\_\_\_

Model Specified \_\_\_\_\_ Quantity \_\_\_\_\_

Customer/Wholesaler \_\_\_\_\_

Contractor \_\_\_\_\_

Architect/Engineer \_\_\_\_\_



Rough-In Requirement:  
 (2) φ 1 1/2" [38mm] Mounting Holes for Concealed Mixing Valve

Product Specifications:  
 Bedpan Washer, Eterna Cartridges, 4-Arm Handles, Concealed Bypass Mixing Valve, Vacuum Breaker, 68" Reinforced PVC Hose, 1.42 GPM Spray Valve, Wall Hook & 1/2" NPT Female Inlets

Drawn <b>KJG</b>	Checked <b>DMH</b>	Approved <b>JHB</b>
Scale: <b>1:8</b>		Date: <b>02/24/14</b>



# T&S BRASS AND BRONZE WORKS, INC.

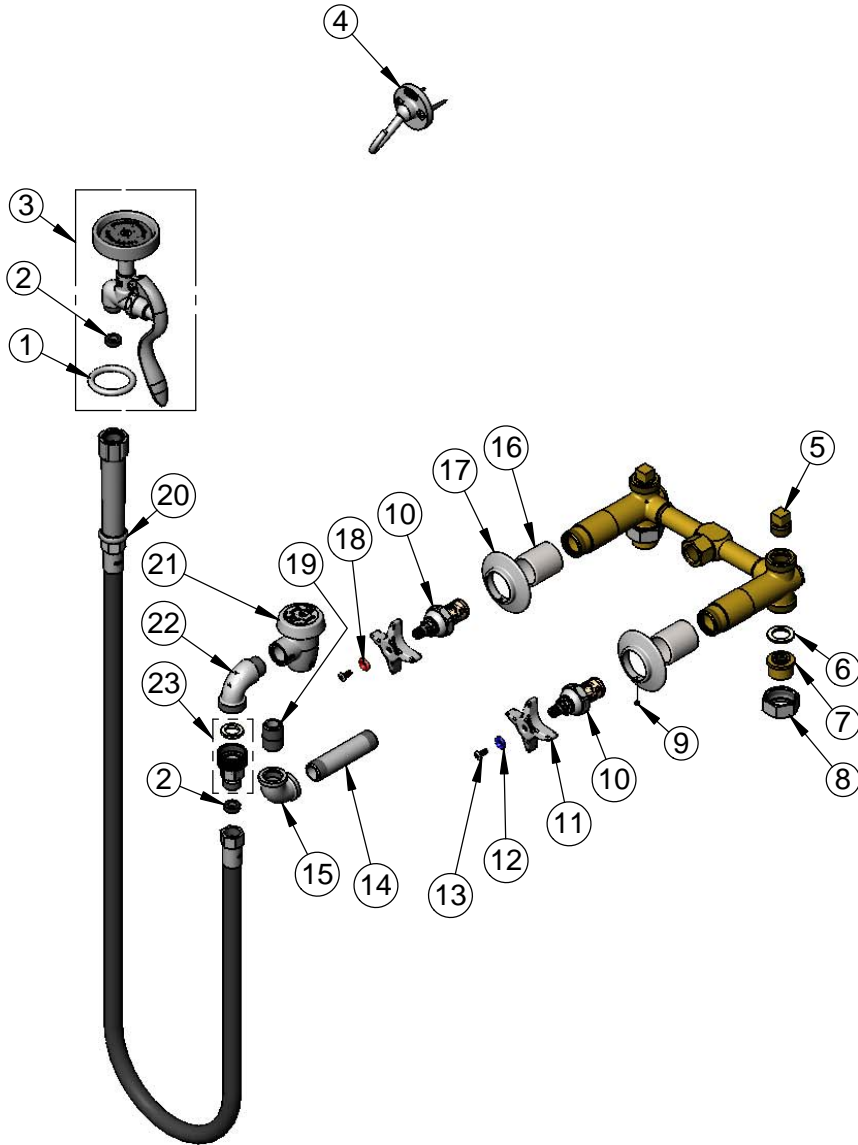
2 Saddleback Cove / P.O. Box 1088  
Travelers Rest, SC 29690

Model No.

**B-0682-107**

Item No.

Travelers Rest, SC: 800-476-4103 • Simi Valley, CA: 800-423-0150 • Fax: 864-834-3518 • www.tsbrass.com



ITEM NO.	SALES NO.	DESCRIPTION
1	000907-45	Spray Valve Hold Down Ring
2	010476-45	#27 Washer
3	B-0107	1.42 GPM Spray Valve
4	B-0104-D	Wall Hook
5	001347-20	1/2" NPT Square Head Plug
6	001019-45	Coupling Nut Washer
7	153F	Union Half, 1/2 NPT w/ Washer
8	000721-25	Flange Coupling Nut
9	000939-45	Escutcheon, Set Screw
10	005960-40	Eterna Cartridge, RTC
11	002521-45	4-Arm Handle
12	001660-45	Blue Index-CW
13	000922-45	Lever Handle Screw
14	002556-40	Nipple, 1/2" x 3 1/2"
15	001357-40	Cast Elbow, 1/2"
16	151F	Escutcheon Tube
17	001501-40	Escutcheon
18	001661-45	Red Index-HW
19	002534-25	Close Nipple, 1/2" NPT
20	B-0068-R	68" Reinforced PVC Hose w/ Handle
21	B-0969	1/2" NPT Vacuum Breaker
22	001618-40	Spout, Short
23	059A	Adapter, Garden Hose Female x 3/4"-14UN Male

**Product Specifications:**

Bedpan Washer, Eterna Cartridges, 4-Arm Handles, Concealed Bypass Mixing Valve, Vacuum Breaker, 68" Reinforced PVC Hose, 1.42 GPM Spray Valve, Wall Hook & 1/2" NPT Female Inlets

Drawn

**KJG**

Checked

**DMH**

Approved

**JHB**

Scale:

**NTS**

Date:

**02/24/14**