



# T&S BRASS AND BRONZE WORKS, INC.

2 Saddleback Cove / P.O. Box 1088  
Travelers Rest, SC 29690



REG. #A2601  
ISO #9001

Model No.

**B-0664**

Item No.

Travelers Rest, SC: 800-476-4103 Simi Valley, CA: 800-423-0150 Fax: 864-834-3518 www.tsbrass.com

This Space for Architect/Engineer Approval

Job Name \_\_\_\_\_ Date \_\_\_\_\_

Model Specified \_\_\_\_\_ Quantity \_\_\_\_\_

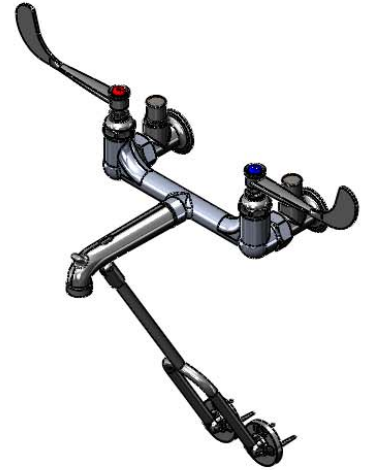
Customer/Wholesaler \_\_\_\_\_

Contractor \_\_\_\_\_

Architect/Engineer \_\_\_\_\_



**ADA Compliant**



B-WH6  
6" Wrist Action Handle  
w/ Color Coded Indexes  
Eterna Cartridges w/  
Spring Checks

Ø2" [51mm]  
Flange

3/4-11 1/2  
Garden Hose  
Male Outlet

Lower Wall Support  
Assembly Furnished  
w/ Wall Bracket &  
Mounting Screws

2 7/16"  
[62mm]

8" c/c  
[203mm]

Inlets Adjustable  
from 7 3/4" to 8 1/4"  
[197mm to 210mm]

1/2" NPT  
Female  
Thread Inlet

00JJ  
Integral  
Supply Stop

13 1/4"  
[337mm]

9 11/16"  
[246mm]

Mounting Surface

Product Specifications:

8" Centers Service Sink w/ Garden Hose Outlet, Polish Chrome,  
Lower Wall Support, 6" Wrist Action Handles, 1/2" NPT Female  
Inlets w/ Integral Stops

Drawn  
**DHL**

Checked  
**KJG**

Approved  
**JHB**

Scale:

**NTS**

Date:

**08/10/10**



**T&S BRASS AND BRONZE WORKS, INC.**

2 Saddleback Cove / P.O. Box 1088  
Travelers Rest, SC 29690



REG. #A2601  
ISO #9001

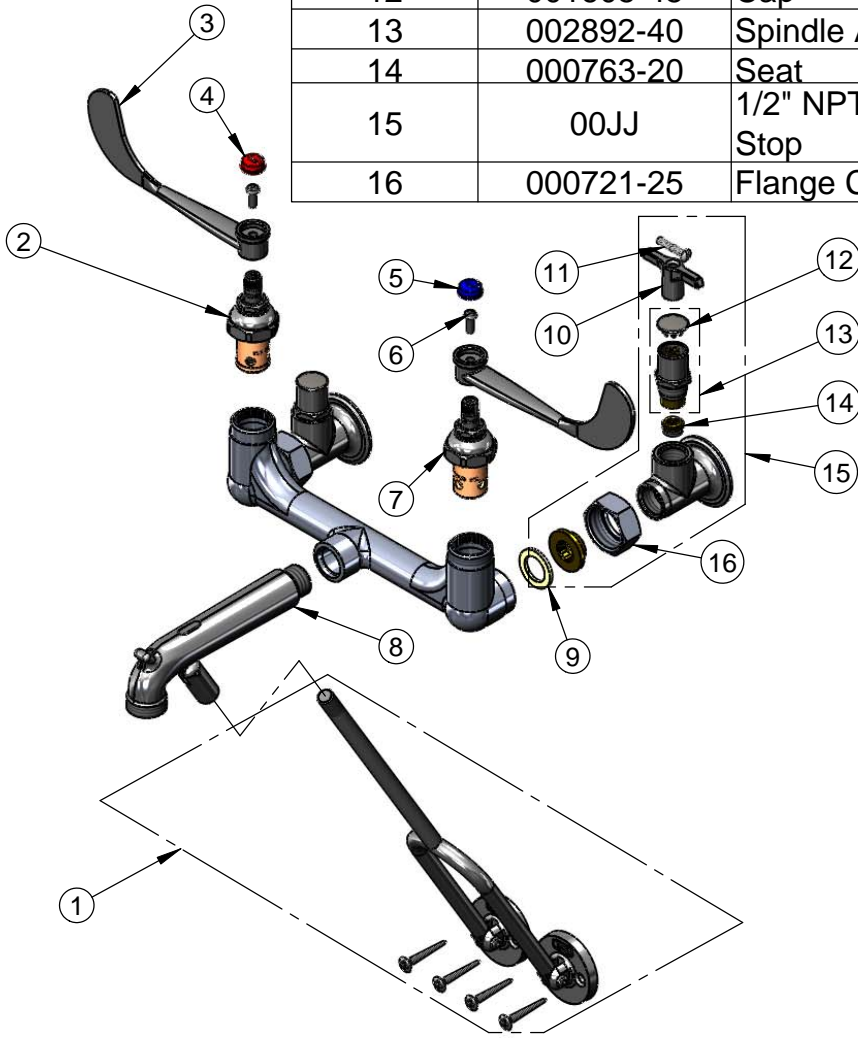
Model No.

**B-0664**

Item No.

Travelers Rest, SC: 800-476-4103 Simi Valley, CA: 800-423-0150 Fax: 864-834-3518 www.tsbrass.com

ITEM NO.	SALES NO.	DESCRIPTION
1	009616-40	Lower Support Rod Assembly w/ Mounting Screws
2	012443-40	Hot Eterna Spindle Assembly w/ Spring Check
3	B-WH6	6" Wrist Action Handle
4	001194-45	Red HW Index
5	001686-45	Blue CW Index
6	000925-45	Lab Handle Screw
7	012442-40	Cold Eterna Spindle Assembly w/ Spring Check
8	016450-40	Spout Assembly, Polished Chrome w/ Lower Clevis
9	001019-45	Coupling Nut Washer
10	001802-45	Handle, Supply Stop "T"
11	002432-45	Loose Key Handle Screw
12	001605-45	Cap
13	002892-40	Spindle Asm w/ Cap
14	000763-20	Seat
15	00JJ	1/2" NPT Female Thread Inlet Assembly w/ Inegral Stop
16	000721-25	Flange Coupling Nut



Product Specifications:

8" Centers Service Sink w/ Garden Hose Outlet, Polish Chrome, Lower Wall Support, 6" Wrist Action Handles, 1/2" NPT Female Inlets w/ Integral Stops

Drawn <b>DHL</b>	Checked <b>KJG</b>	Approved <b>JHB</b>
Scale: <b>NTS</b>		Date: <b>08/10/10</b>



# T&S BRASS AND BRONZE WORKS, INC.

2 Saddleback Cove / P.O. Box 1088  
Travelers Rest, SC 29690



REG. #A2601  
ISO #9001

Model No.

**B-0664-01**

Item No.

Travelers Rest, SC: 800-476-4103 Simi Valley, CA: 800-423-0150 Fax: 864-834-3518 www.tsbrass.com

This Space for Architect/Engineer Approval

Job Name \_\_\_\_\_ Date \_\_\_\_\_

Model Specified \_\_\_\_\_ Quantity \_\_\_\_\_

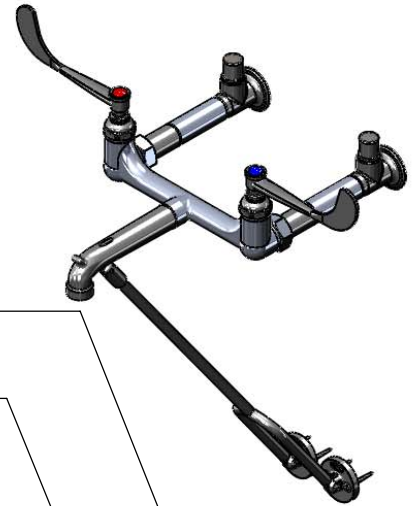
Customer/Wholesaler \_\_\_\_\_

Contractor \_\_\_\_\_

Architect/Engineer \_\_\_\_\_



**ADA Compliant**



00JJ  
Integral  
Supply Stop

000610-25  
Extension

000611-25  
Extension

B-WH6  
6" Wrist Action Handle  
w/ Color Coded Indexes  
Eterna Cartridges w/  
Spring Checks

Ø2" [51mm]  
Flange

1/2" NPT  
Female  
Thread Inlet

7 7/8"  
[200mm]

17 1/4"  
[439mm]

Plain End  
Outlet

Lower Wall Support  
Assembly Furnished  
w/ Wall Bracket &  
Mounting Screws

Mounting Surface

2 7/16"  
[62mm]

8" c/c  
[203mm]

14 3/16"  
[361mm]

Product Specifications:

8" Centers Service Sink w/ Plain End Spout, Polish Chrome, Lower Wall Support, 6" Wrist Action Handles & 00JJ Integral Stops w/ "T" Handle

Drawn  
**DHL**

Checked  
**KJG**

Approved  
**JHB**

Scale:

**NTS**

Date:

**01/13/2010**



# T&S BRASS AND BRONZE WORKS, INC.

2 Saddleback Cove / P.O. Box 1088  
Travelers Rest, SC 29690



REG. #A2601  
ISO #9001

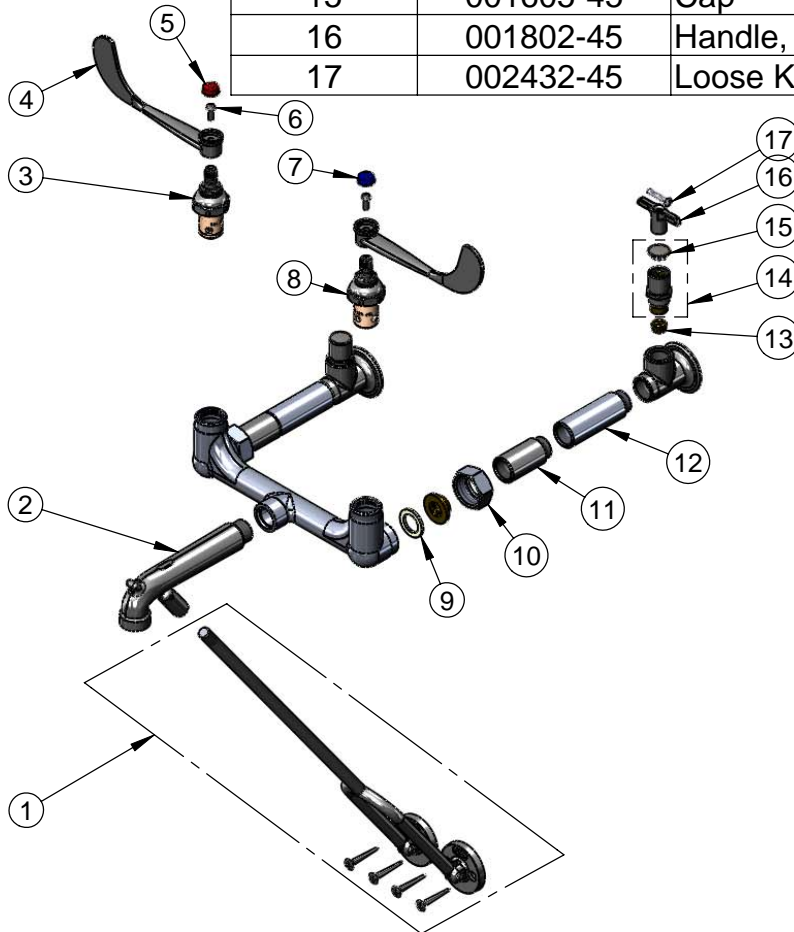
Model No.

**B-0664-01**

Item No.

Travelers Rest, SC: 800-476-4103 Simi Valley, CA: 800-423-0150 Fax: 864-834-3518 www.tsbrass.com

ITEM NO.	SALES NO.	DESCRIPTION
1	015476-40	Lower Support Rod Assembly (Long)
2	017535-40	Spout Assembly, Plain Outlet & Lower Clevis
3	012443-40	Hot Eterna Spindle Assembly w/ Spring Check
4	B-WH6	6" Wrist Action Handle
5	001194-45	Red HW Index
6	000925-45	Lab Handle Screw
7	001686-45	Blue CW Index
8	012442-40	Cold Eterna Spindle Assembly w/ Spring Check
9	001019-45	Coupling Nut Washer
10	000721-25	Flange Coupling Nut
11	000611-25	Extension, 1 3/4" Long
12	000610-25	Extension, 2 3/4" Long
13	000763-20	Seat
14	002892-40	Spindle Asm w/ Cap
15	001605-45	Cap
16	001802-45	Handle, Supply Stop "T"
17	002432-45	Loose Key Handle Screw



Product Specifications:

8" Centers Service Sink w/ Plain End Spout, Polish Chrome, Lower Wall Support, 6" Wrist Action Handles & 00JJ Integral Stops w/ "T" Handle

Drawn <b>DHL</b>	Checked <b>KJG</b>	Approved <b>JHB</b>
Scale: <b>NTS</b>		Date: <b>01/13/2010</b>



# T&S BRASS AND BRONZE WORKS, INC.

2 Saddleback Cove / P.O. Box 1088  
Travelers Rest, SC 29690



REG. #A2601  
ISO #9001

Model No.

**B-0664-02**

Item No.

Travelers Rest, SC: 800-476-4103 • Simi Valley, CA: 800-423-0150 • Fax: 864-834-3518 • www.tsbrass.com

This Space for Architect/Engineer Approval

Job Name \_\_\_\_\_ Date \_\_\_\_\_

Model Specified \_\_\_\_\_ Quantity \_\_\_\_\_

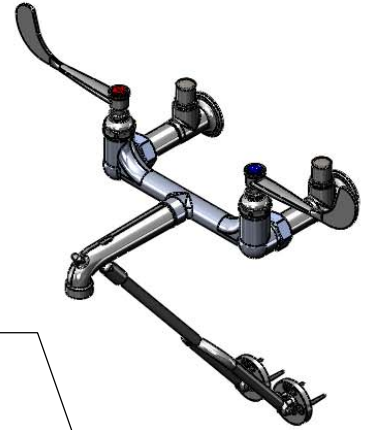
Customer/Wholesaler \_\_\_\_\_

Contractor \_\_\_\_\_

Architect/Engineer \_\_\_\_\_

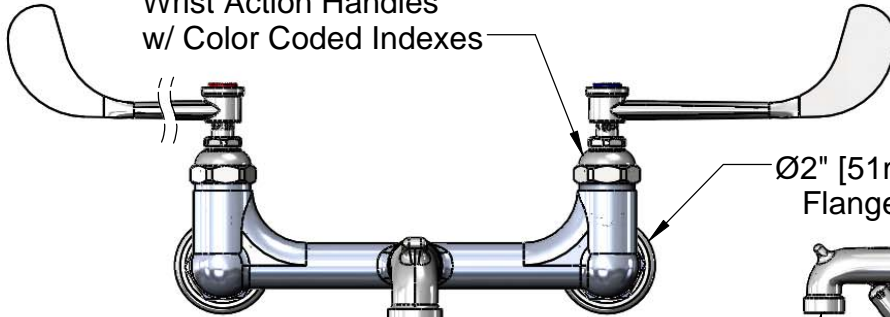


**ADA Compliant**



00JJ-XT  
Integral Supply  
Stop w/ Extension

Eterna Cartridges w/  
Spring Checks & 6"  
Wrist Action Handles  
w/ Color Coded Indexes



Ø2" [51mm]  
Flange

Plain End  
Outlet

1/2" NPT  
Female  
Thread Inlets

12"  
[305mm]

Lower Wall Support  
Assembly Furnished  
w/ Wall Bracket &  
Mounting Screws

Mounting Surface

11 7/16"  
[291mm]

2 7/16"  
[62mm]

8" c/c  
[203mm]

**Product Specifications:**

8" c/c Service Sink w/ Plain End Spout, Polish Chrome,  
Lower Wall Support, 6" Wrist Action Handles, 1/2" NPT Female  
Inlet w/ Integral Stops & Extensions

Drawn

DHL

Checked

JRM

Approved

JHB

Scale:

1:4

Date:

03/22/11



# T&S BRASS AND BRONZE WORKS, INC.

2 Saddleback Cove / P.O. Box 1088  
Travelers Rest, SC 29690



REG. #A2601  
ISO #9001

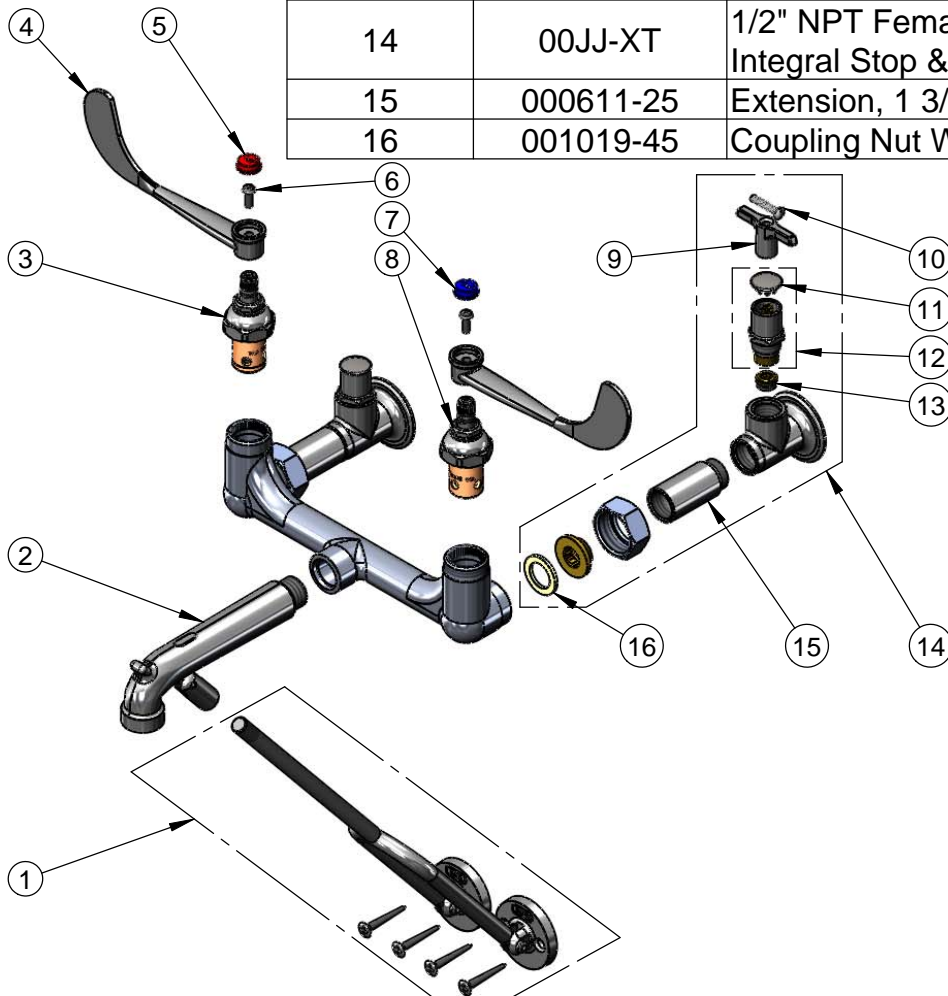
Model No.

**B-0664-02**

Item No.

Travelers Rest, SC: 800-476-4103 Simi Valley, CA: 800-423-0150 Fax: 864-834-3518 www.tsbrass.com

ITEM NO.	SALES NO.	DESCRIPTION
1	009616-40	Lower Support Rod Assembly
2	017535-40	Spout Assembly, Plain Outlet & Lower Clevis
3	012443-40	Hot Eterna Spindle Assembly w/ Spring Check
4	B-WH6	6" Wrist Action Handle
5	001194-45	Red HW Index
6	000925-45	Lab Handle Screw
7	001686-45	Blue CW Index
8	012442-40	Cold Eterna Spindle Assembly w/ Spring Check
9	001802-45	Handle, Supply Stop "T"
10	002432-45	Loose Key Handle Screw
11	001605-45	Cap
12	002892-40	Spindle Asm w/ Cap
13	000763-20	Seat
14	00JJ-XT	1/2" NPT Female Thread Inlet Assembly w/ Integral Stop & Extension
15	000611-25	Extension, 1 3/4" Long
16	001019-45	Coupling Nut Washer



**Product Specifications:**

8" c/c Service Sink w/ Plain End Spout, Polish Chrome, Lower Wall Support, 6" Wrist Action Handles, 1/2" NPT Female Inlet w/ Integral Stops & Extensions

Drawn <b>DHL</b>	Checked <b>JRM</b>	Approved <b>JHB</b>
Scale: <b>NTS</b>		Date: <b>03/22/11</b>



# T&S BRASS AND BRONZE WORKS, INC.

2 Saddleback Cove / P.O. Box 1088  
Travelers Rest, SC 29690



REG. #A2601  
ISO #9001

Model No.

**B-0664-03**

Item No.

Travelers Rest, SC: 800-476-4103 Simi Valley, CA: 800-423-0150 Fax: 864-834-3518 www.tsbrass.com

This Space for Architect/Engineer Approval

Job Name \_\_\_\_\_ Date \_\_\_\_\_

Model Specified \_\_\_\_\_ Quantity \_\_\_\_\_

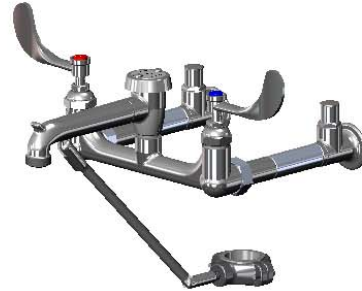
Customer/Wholesaler \_\_\_\_\_

Contractor \_\_\_\_\_

Architect/Engineer \_\_\_\_\_



**ADA Compliant**



Hot & Cold  
Eterna Cartridges  
w/ Spring Check  
& 4" Wrist Action  
Handles w/ Color  
Coded Indexes

B-0969  
1/2" Vacuum  
Breaker

Wall

7 7/8" [200mm]

Integral Service  
Stops

Ø 2" [51mm]  
Flanges w/  
1/2" NPT  
Female  
Inlets

Adjustable

3/4-11 1/2 Male  
Garden Hose Outlet

8" c/c  
[203mm]  
Inlets Adjustable  
from 7 3/4" to 8 1/4"  
[197mm to 210mm]

Split-Ring Clamp  
Assembly Fastens  
to Ø 1-1/2" O.D.  
Flush Tube (not shown)

14 5/16" [364mm]

**Product Specifications:**

Service Sink Faucet, Polished Chrome Finish w/ Split-Ring Lower Support Clamp for use on Ø 1-1/2" Flush Tubes, 4" Wrist Handles, Vacuum Breaker, 1/2" NPT Female Inlets, Integral Service Stops & Garden Hose Outlet

Drawn  
**DHL**

Checked  
**KJG**

Approved  
**JHB**

Scale:

1:4

Date:

08/10/10



**T&S BRASS AND BRONZE WORKS, INC.**

2 Saddleback Cove / P.O. Box 1088  
Travelers Rest, SC 29690



REG. #A2601  
ISO #9001

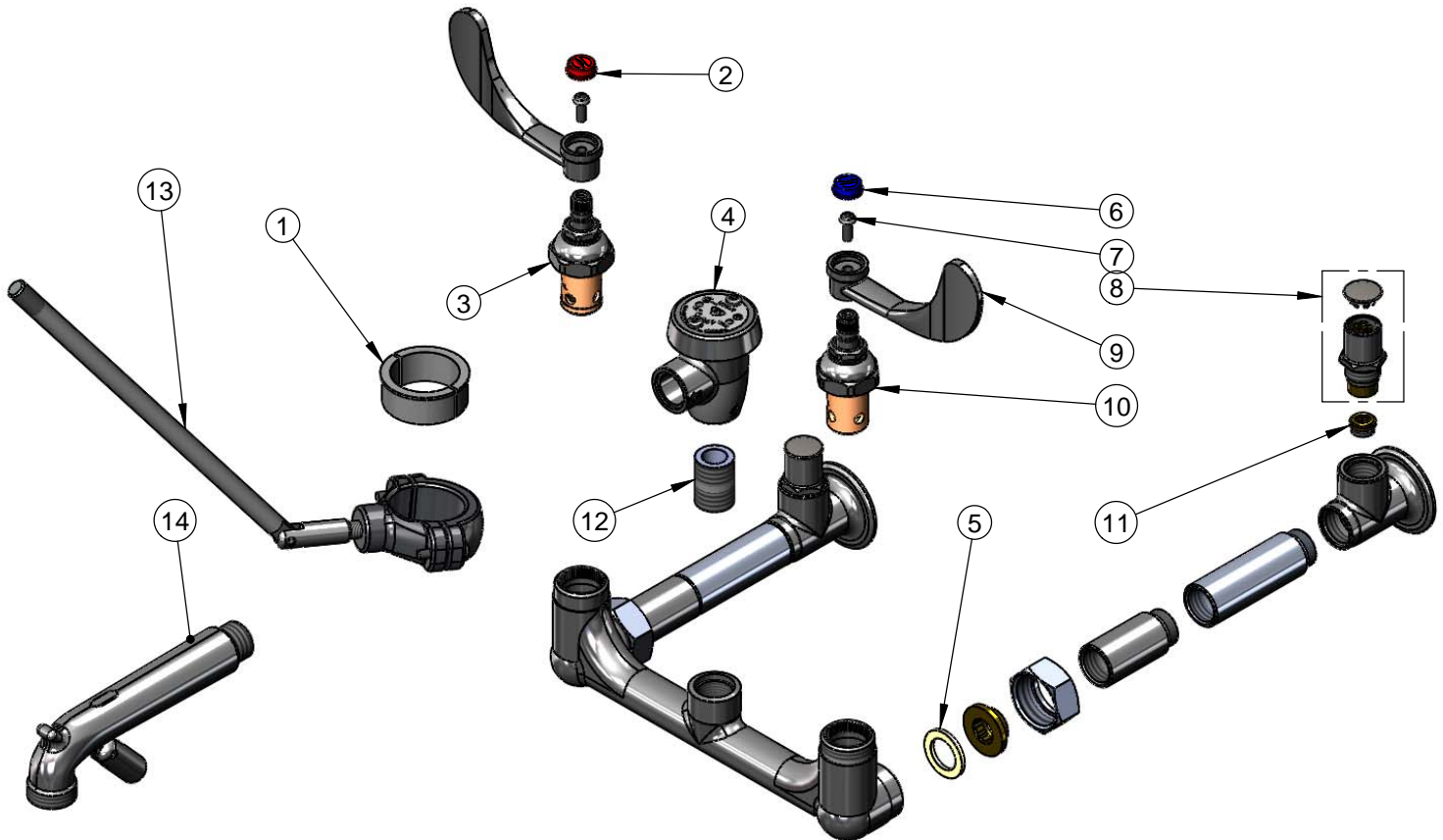
Model No.

**B-0664-03**

Item No.

Travelers Rest, SC: 800-476-4103 Simi Valley, CA: 800-423-0150 Fax: 864-834-3518 www.tsbrass.com

ITEM NO.	SALES NO.	DESCRIPTION
1	016863-20	Clamp Split Bushing (Set of 2 Halves)
2	001194-45	Red HW Index
3	012443-40	Hot Eterna Spindle Assembly w/ Spring Check
4	B-0969	Vacuum Breaker, 1/2"
5	001019-45	Coupling Nut Washer
6	001686-45	Blue CW Index
7	000925-45	Lab Handle Screw
8	002892-40	Stop Spindle Assembly w/ Cap
9	B-WH4	4" Wrist Action Handle
10	012442-40	Cold Eterna Spindle Assembly w/ Spring Check
11	000763-20	Seat
12	002534-25	Close Nipple, 1/2" x 1 5/32" Lg Rough Chrome
13	017882-40	Split Ring Pipe Clamp Lower Assembly
14	016450-40	Spout Assembly, Polish Chrome w/ Lower Clevis



Product Specifications:

Service Sink Faucet, Polished Chrome Finish w/ Split-Ring Lower Support Clamp for use on Ø 1-1/2" Flush Tubes, 4" Wrist Handles, Vacuum Breaker, 1/2" NPT Female Inlets, Integral Service Stops & Garden Hose Outlet

Drawn <b>DHL</b>	Checked <b>KJG</b>	Approved <b>JHB</b>
Scale: <b>1:4</b>		Date: <b>08/10/10</b>





# T&S BRASS AND BRONZE WORKS, INC.

2 Saddleback Cove / P.O. Box 1088  
Travelers Rest, SC 29690



REG. #A2601  
ISO #9001

Model No.

**B-0664-04**

Item No.

Travelers Rest, SC: 800-476-4103 Simi Valley, CA: 800-423-0150 Fax: 864-834-3518 www.tsbrass.com

This Space for Architect/Engineer Approval

Job Name \_\_\_\_\_ Date \_\_\_\_\_

Model Specified \_\_\_\_\_ Quantity \_\_\_\_\_

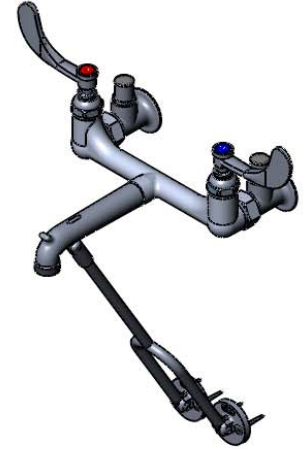
Customer/Wholesaler \_\_\_\_\_

Contractor \_\_\_\_\_

Architect/Engineer \_\_\_\_\_



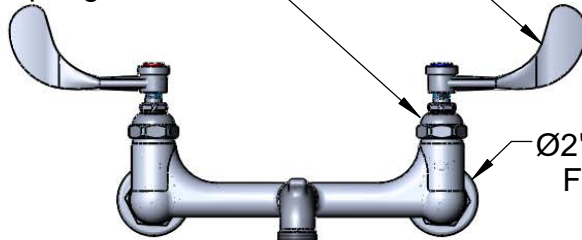
**ADA Compliant**



**B-WH4**

4" Wrist Action Handle  
w/ Color Coded Indexes

Eterna Cartridges w/  
Spring Checks



Ø2" [51mm]  
Flange

3/4-11 1/2  
Garden Hose  
Male Outlet

Lower Wall Support  
Assembly Furnished  
w/ Wall Bracket &  
Mounting Screws

2 7/16"  
[62mm]

8" c/c  
[203mm]

1/2" NPT  
Female  
Thread Inlets

00JJ  
Integral  
Supply Stop

13 1/4"  
[337mm]

9 11/16"  
[246mm]

Mounting Surface

Product Specifications:

8" Centers Service Sink w/ Garden Hose Outlet, Polish Chrome,  
Lower Wall Support, 4" Wrist Action Handles & 1/2" NPT Female  
Inlet w/ Integral Stops

Drawn  
**DHL**

Checked  
**KJG**

Approved  
**JHB**

Scale:

**NTS**

Date:

**02/10/09**



**T&S BRASS AND BRONZE WORKS, INC.**

2 Saddleback Cove / P.O. Box 1088  
Travelers Rest, SC 29690



REG. #A2601  
ISO #9001

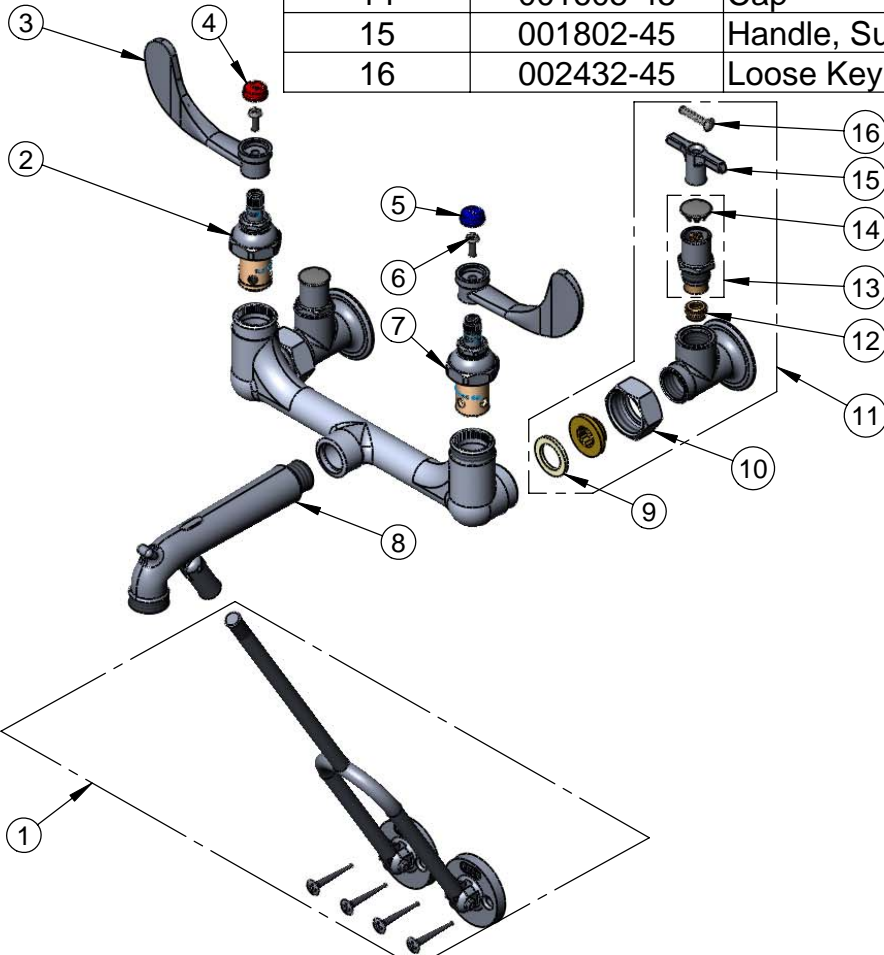
Model No.

**B-0664-04**

Item No.

Travelers Rest, SC: 800-476-4103 Simi Valley, CA: 800-423-0150 Fax: 864-834-3518 www.tsbrass.com

ITEM NO.	SALES NO.	DESCRIPTION
1	009616-40	Lower Support Rod Assembly w/ Mounting Screws
2	012443-40	Hot Eterna Spindle Assembly w/ Spring Check
3	B-WH4	4" Wrist Action Handle
4	001194-45	Red HW Index
5	001686-45	Blue CW Index
6	000925-45	Lab Handle Screw
7	012442-40	Cold Eterna Spindle Assembly w/ Spring Check
8	016450-40	Spout Assembly, Polished w/ Bottom Support Clevis
9	001019-45	Coupling Nut Washer
10	000721-25	Flange Coupling Nut
11	002892-40	Spindle Assembly w/ Cap
12	000763-20	Seat
13	00JJ	1/2" NPT Female Thread Inlet w/ Integral Stop
14	001605-45	Cap
15	001802-45	Handle, Supply Stop "T"
16	002432-45	Loose Key Handle Screw



Product Specifications:

8" Centers Service Sink w/ Garden Hose Outlet, Polish Chrome, Lower Wall Support, 4" Wrist Action Handles & 1/2" NPT Female Inlet w/ Integral Stops

Drawn <b>DHL</b>	Checked <b>KJG</b>	Approved <b>JHB</b>
Scale: <b>NTS</b>		Date: <b>02/10/09</b>



# T&S BRASS AND BRONZE WORKS, INC.

2 Saddleback Cove / P.O. Box 1088  
Travelers Rest, SC 29690



REG. #A2601  
ISO #9001

Model No.

**B-0664-05**

Item No.

Travelers Rest, SC: 800-476-4103 Simi Valley, CA: 800-423-0150 Fax: 864-834-3518 www.tsbrass.com

This Space for Architect/Engineer Approval

Job Name \_\_\_\_\_ Date \_\_\_\_\_

Model Specified \_\_\_\_\_ Quantity \_\_\_\_\_

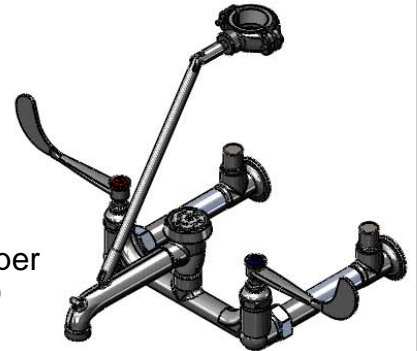
Customer/Wholesaler \_\_\_\_\_

Contractor \_\_\_\_\_

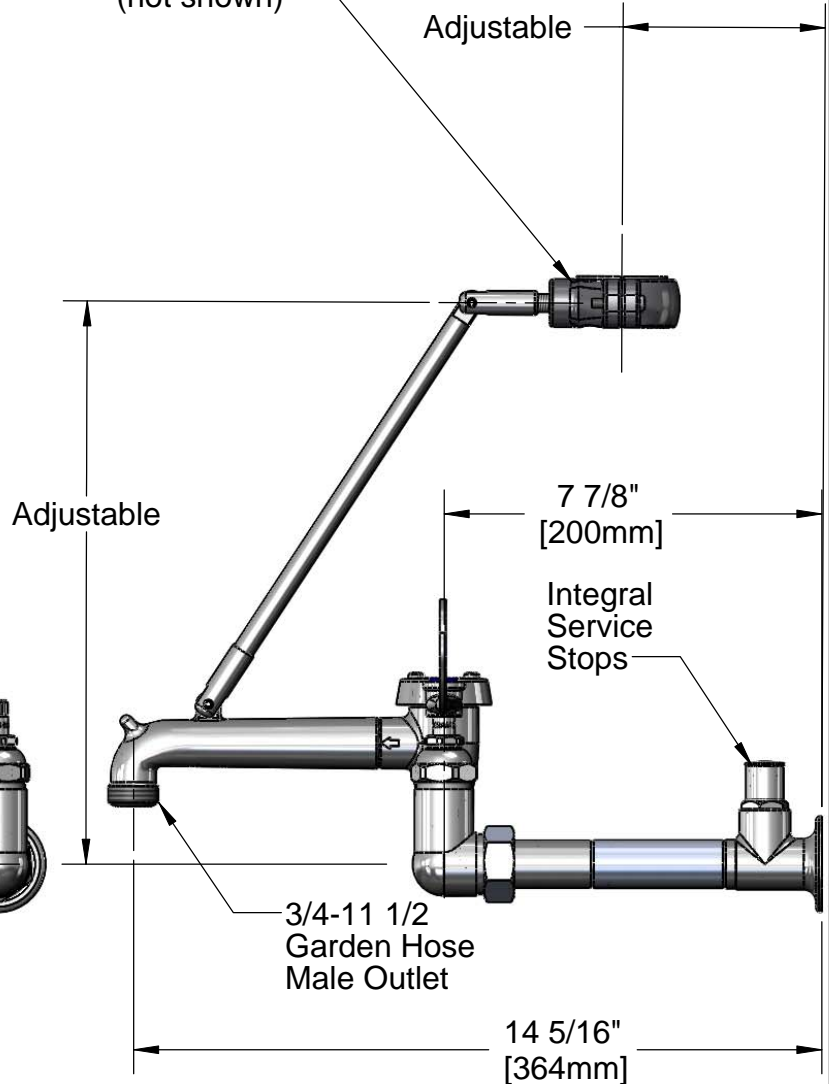
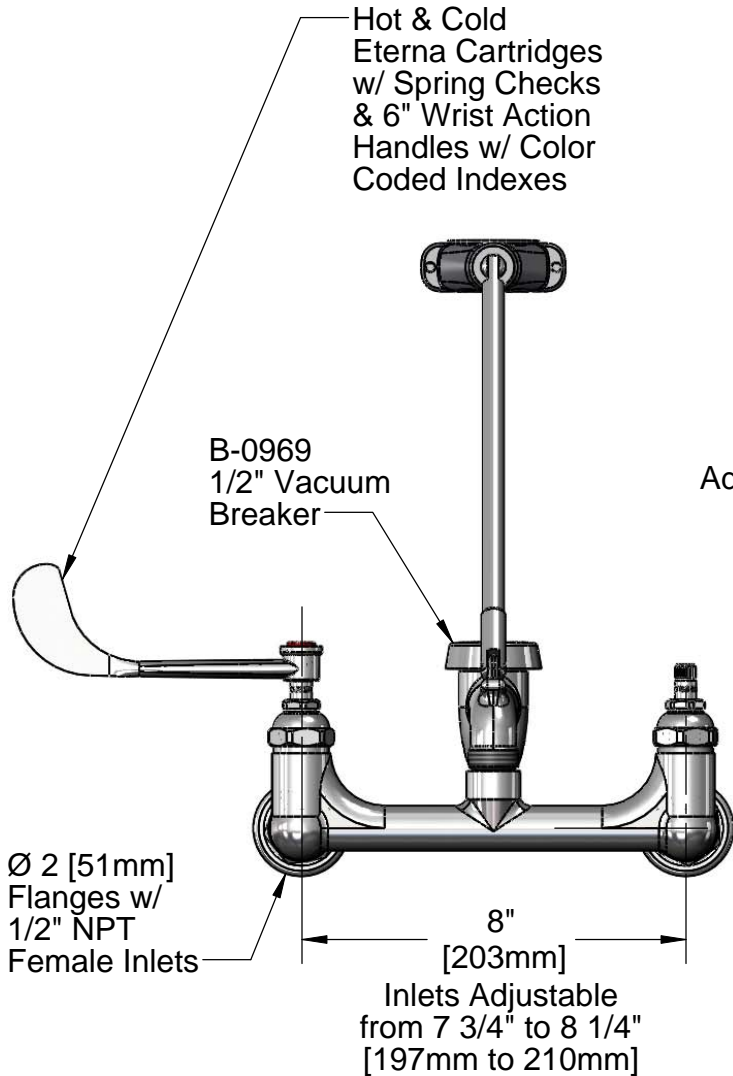
Architect/Engineer \_\_\_\_\_



**ADA Compliant**



Split-Ring Clamp Upper Assembly Fastens to  $\varnothing$  1-1/2" O.D. Flush Tube (not shown)



**Product Specifications:**

Service Sink Faucet, Polished Chrome Finish w/ Split-Ring Clamp Upper Assembly for use on  $\varnothing$  1-1/2" O.D. Flush Tubes, 6" Wrist Handles, Vacuum Breaker, 1/2" NPT Female Inlets, Integral Stop & Garden Hose Outlet

Drawn <b>DHL</b>	Checked <b>KJG</b>	Approved <b>JHB</b>
Scale: <b>1:4</b>		Date: <b>08/10/10</b>



# T&S BRASS AND BRONZE WORKS, INC.

2 Saddleback Cove / P.O. Box 1088  
Travelers Rest, SC 29690



REG. #A2601  
ISO #9001

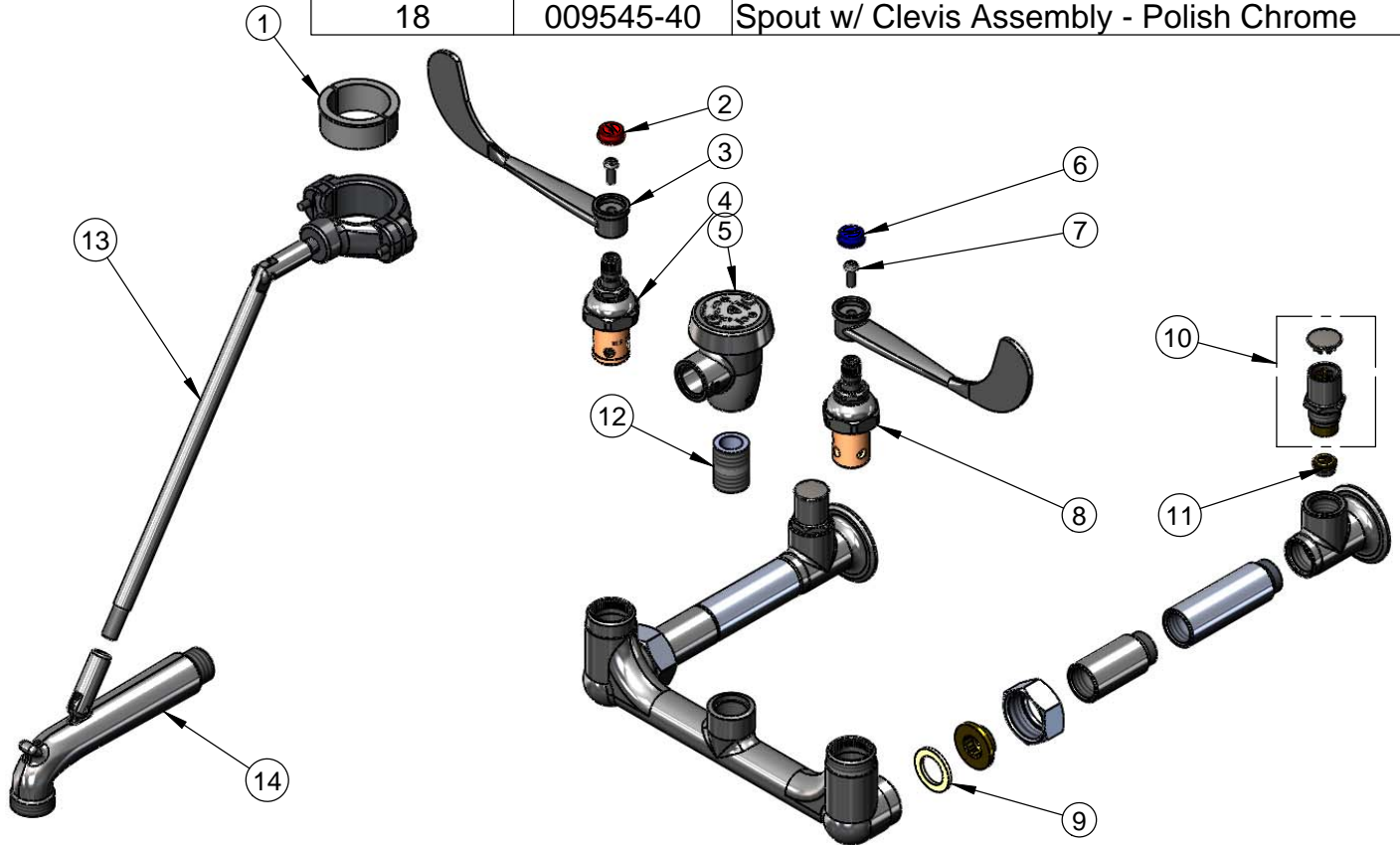
Model No.

**B-0664-05**

Item No.

Travelers Rest, SC: 800-476-4103 Simi Valley, CA: 800-423-0150 Fax: 864-834-3518 www.tsbrass.com

ITEM NO.	SALES NO.	DESCRIPTION
1	016863-20	Clamp Split Bushing (Set of 2 halves)
2	001194-45	Red HW Index
3	B-WH6	6" Wrist Action Handle
4	012443-40	Hot Eterna Spindle Assembly w/ Spring Check
5	B-0969	Vacuum Breaker, 1/2"
6	001686-45	Blue CW Index
7	000925-45	Lab Handle Screw
8	012442-40	Cold Eterna Spindle Assembly w/ Spring Check
9	001019-45	Coupling Nut Washer
10	002892-40	Stop Spindle Assembly w/ Cap
11	000763-20	Seat
12	002534-25	Close Nipple, 1/2" x 1 5/32" Lg Rough Chrome
13	016449-40	Split Ring Pipe Clamp Upper Assembly
14	009545-40	Spout Assembly, Polish Chrome w/ Clevis
18	009545-40	Spout w/ Clevis Assembly - Polish Chrome



**Product Specifications:**

Service Sink Faucet, Polished Chrome Finish w/ Split-Ring Clamp Upper Assembly for use on Ø 1-1/2" O.D. Flush Tubes, 6" Wrist Handles, Vacuum Breaker, 1/2" NPT Female Inlets, Integral Stop & Garden Hose Outlet

Drawn <b>DHL</b>	Checked <b>KJG</b>	Approved <b>JHB</b>
Scale: <b>NTS</b>		Date: <b>08/10/10</b>