



**T&S BRASS AND BRONZE WORKS, INC.**  
 2 Saddleback Cove / P.O. Box 1088  
 Travelers Rest, SC 29690

Model No.  
**B-0355-04**

Item No.

Travelers Rest, SC: 800-476-4103 • Simi Valley, CA: 800-423-0150 • Fax: 864-834-3518 • www.tsbrass.com



**ADA Compliant**

This Space for Architect/Engineer Approval

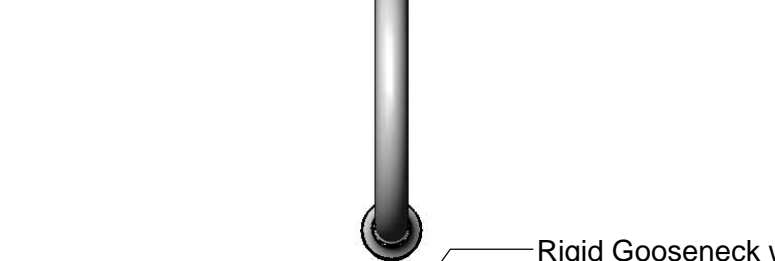
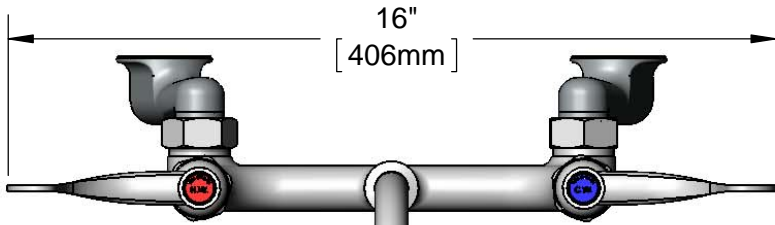
Job Name \_\_\_\_\_ Date \_\_\_\_\_

Model Specified \_\_\_\_\_ Quantity \_\_\_\_\_

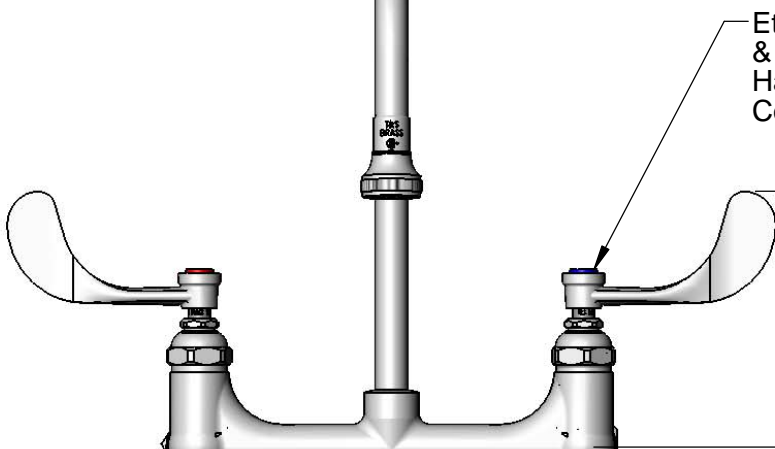
Customer/Wholesaler \_\_\_\_\_

Contractor \_\_\_\_\_

Architect/Engineer \_\_\_\_\_

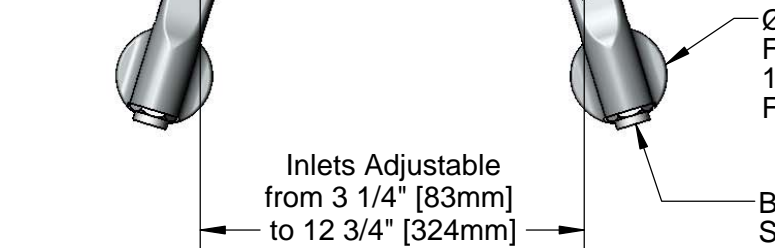


Rigid Gooseneck w/  
 B-0103  
 Rosespray Outlet



Eterna Cartridges  
 & 4" Wrist Action  
 Handles w/ Color  
 Coded Indexes

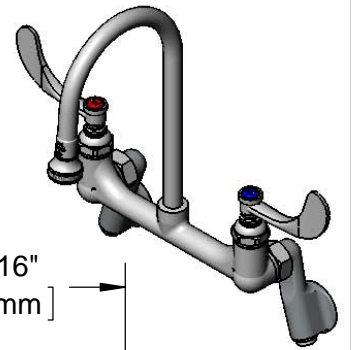
5 5/16"  
 [135mm]



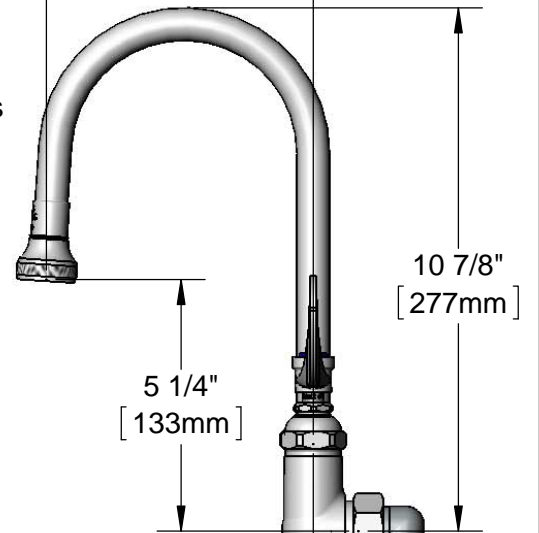
Ø 2" [51mm]  
 Flanges w/  
 1/2" NPT  
 Female Inlets

Inlets Adjustable  
 from 3 1/4" [83mm]  
 to 12 3/4" [324mm]  
 Below or Above  
 Centerline

Built-in  
 Service Stop



5 9/16"  
 [141mm]



10 7/8"  
 [277mm]

5 1/4"  
 [133mm]

2 3/4"  
 [70mm]

Mounting Surface

**Product Specifications:**

8" Wall Mount Mixing Faucet, Eterna Cartridges, 4" Wrist Action Handles, 5 1/2" Rigid Gooseneck w/ Rosespray Outlet & 1/2" NPT Adjustable Arm Female Inlets

**Product Compliance:**

ASME A112.18.1 / CSA B125.1  
 NSF 61 - Section 9  
 NSF 372 (Low Lead Content)  
 ANSI A117.1 (ADA)



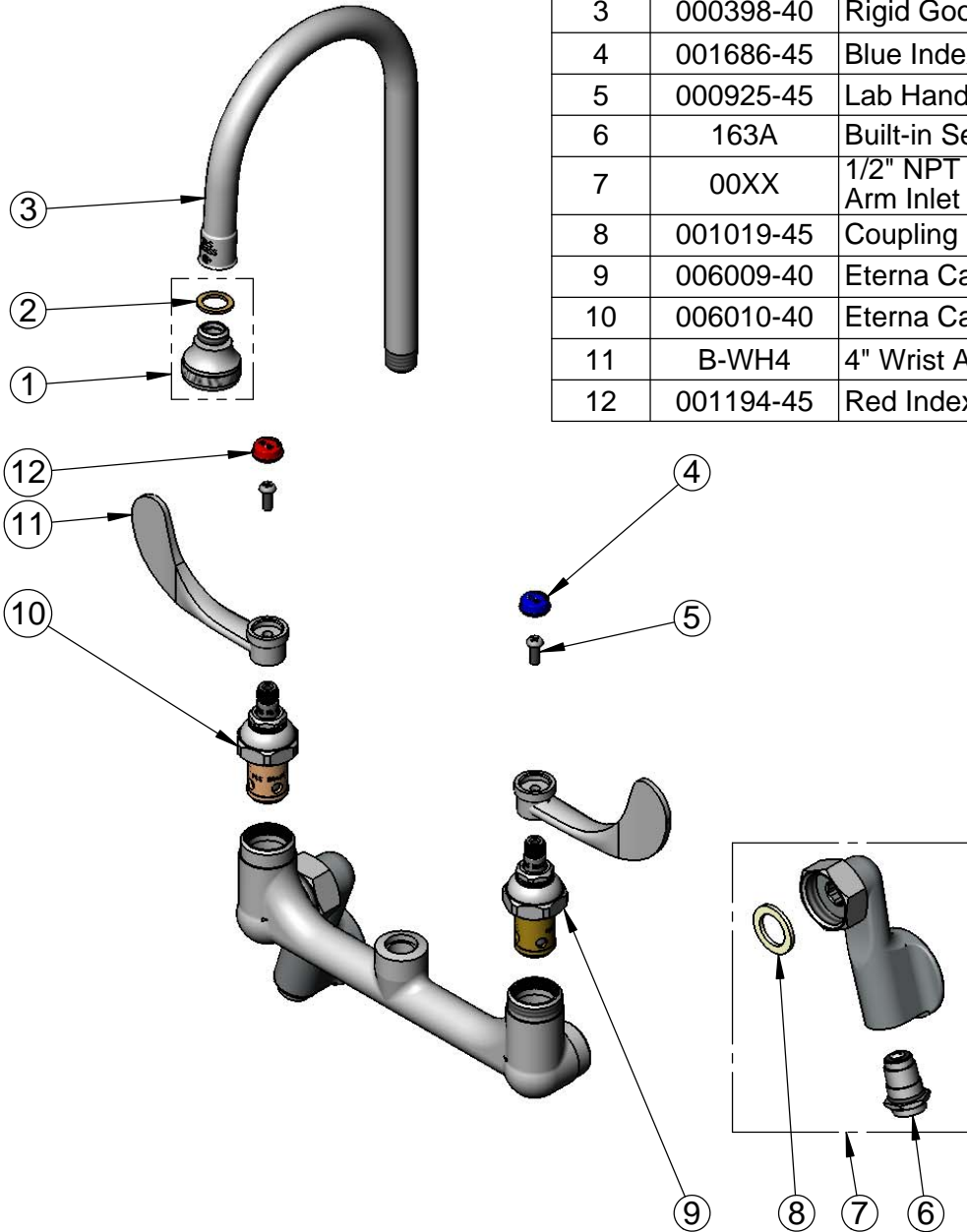
**T&S BRASS AND BRONZE WORKS, INC.**  
 2 Saddleback Cove / P.O. Box 1088  
 Travelers Rest, SC 29690

Model No.  
**B-0355-04**

Item No.

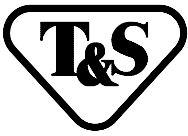
Travelers Rest, SC: 800-476-4103 • Simi Valley, CA: 800-423-0150 • Fax: 864-834-3518 • www.tsbrass.com

ITEM NO.	SALES NO.	DESCRIPTION
1	B-0103	Rosespray Outlet, 3/8" NPSM Male
2	001043-45	Washer
3	000398-40	Rigid Gooseneck
4	001686-45	Blue Index - CW
5	000925-45	Lab Handle Screw
6	163A	Built-in Service Stop
7	00XX	1/2" NPT Female Adjustment Arm Inlet w/ Screwdriver Stop
8	001019-45	Coupling Nut Washer
9	006009-40	Eterna Cartridge, LTC (Teflon)
10	006010-40	Eterna Cartridge, RTC (Teflon)
11	B-WH4	4" Wrist Action Handle
12	001194-45	Red Index - HW



Product Specifications:  
 8" Wall Mount Mixing Faucet, Eterna Cartridges, 4" Wrist Action Handles,  
 5 1/2" Rigid Goosneck w/ Rosespray Outlet & 1/2" NPT Adjustable Arm  
 Female Inlets

Product Compliance:  
 ASME A112.18.1 / CSA B125.1  
 NSF 61 - Section 9  
 NSF 372 (Low Lead Content)  
 ANSI A117.1 (ADA)



**T&S BRASS AND BRONZE WORKS, INC.**

2 SADDLEBACK COVE / P.O. BOX 1088 / TRAVELERS REST, SC 29690

PHONE 800-476-4103

FAX 864-834-3518



REG.#A2601  
ISO #9001

Model No.

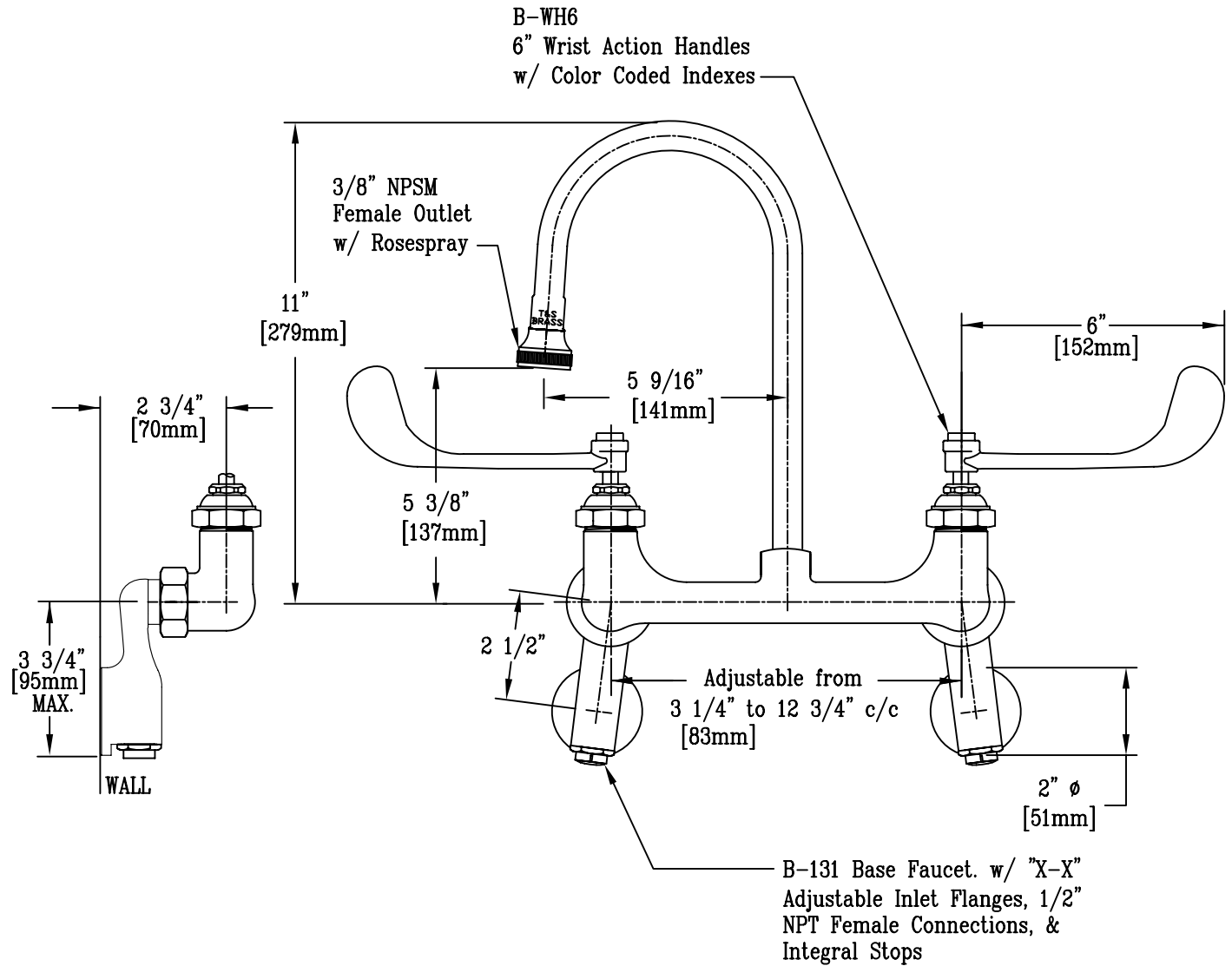
B-0355

Item No.:

Job Name:

Architect/Engineer Approval:

Notes:



Notes:

Also Available w/ B-WH4 Wrist Action Handles.

Product Description:  
Surgical Sink Faucet w/ Rigid Gooseneck,  
Rosespray & 6" Wrist Action Handles

Drawn:

DHL

Checked

MAV

Scale:

1:4

Approved

JHB

Date:

3/4/08