



**T&S BRASS AND BRONZE WORKS, INC.**

2 SADDLEBACK COVE / P.O. BOX 1088 / TRAVELERS REST, SC 29690

PHONE 800-476-4103

FAX 864- 834-3518



REG. #A2601  
ISO #9002

Model No.

B-0345-LN

Item No.:

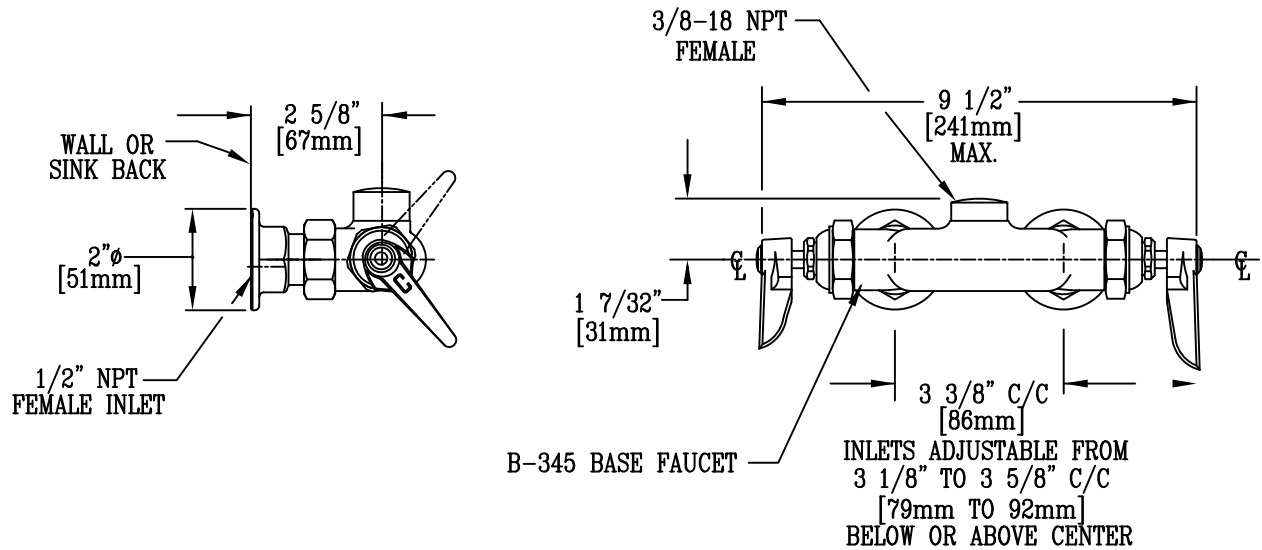
Job Name:

Architect/Engineer Approval:

Notes:



ADA COMPLIANT



NSF STANDARD 61, SECTION 9 CERTIFIED.

Product Description:

Drawn:

Checked

Scale:

MCW

ARD

3" = 1'

Approved

Date:

CA

7-17-95

COMBINATION SINK FAUCET "LESS GOOSENECK",  
w/ ADJUSTABLE OAAA INLET FLANGES



T&S BRASS AND BRONZE WORKS, INC.

2 SADDLEBACK COVE / P.O. BOX 1088 / TRAVELERS REST, SC 29690

PHONE 800-476-4103

FAX 864-834-3518



REG.#A2601  
ISO #9002

Model No.

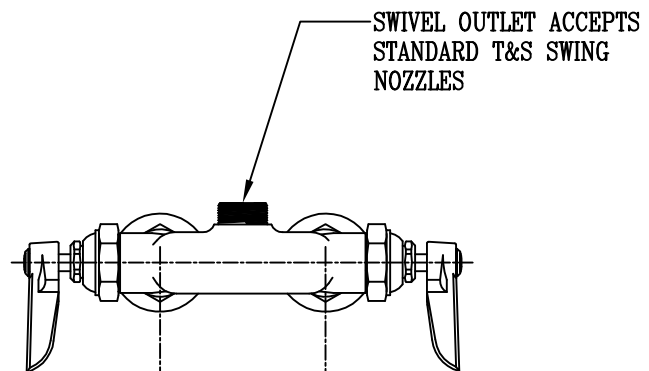
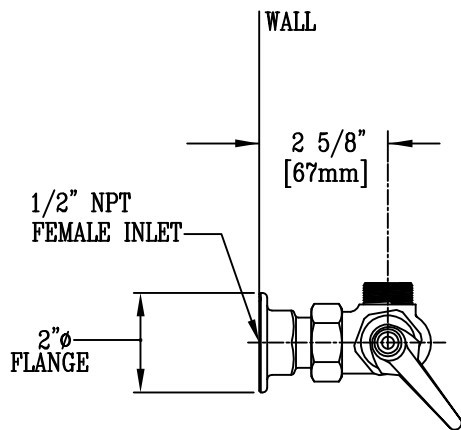
B-0346-LN

Item No.:

Job Name:

Architect/Engineer Approval:

Notes:



3 3/8" C/C [86mm]

INLETS ADJUSTABLE FROM 3 1/8" TO 3 5/8" C/C [79mm TO 92mm] BELOW OR ABOVE CENTER

Product Description:

WALL MOUNTED 3 3/8" c/c ADJUSTABLE INLET FAUCET LESS NOZZLE

Drawn:

WJS

Approved

JHB

Checked

JHB

Scale:

1 : 4

Date:

02/02/06