



T&S BRASS AND BRONZE WORKS, INC.

2 Saddleback Cove / P.O. Box 1088
Travelers Rest, SC 29690



REG. #A2601
ISO #9001

Model No.
B-0297

Item No.

Travelers Rest, SC: 800-476-4103 Simi Valley, CA: 800-423-0150 Fax: 864-834-3518 www.tsbrass.com

This Space for Architect/Engineer Approval

Job Name _____ Date _____

Model Specified _____ Quantity _____

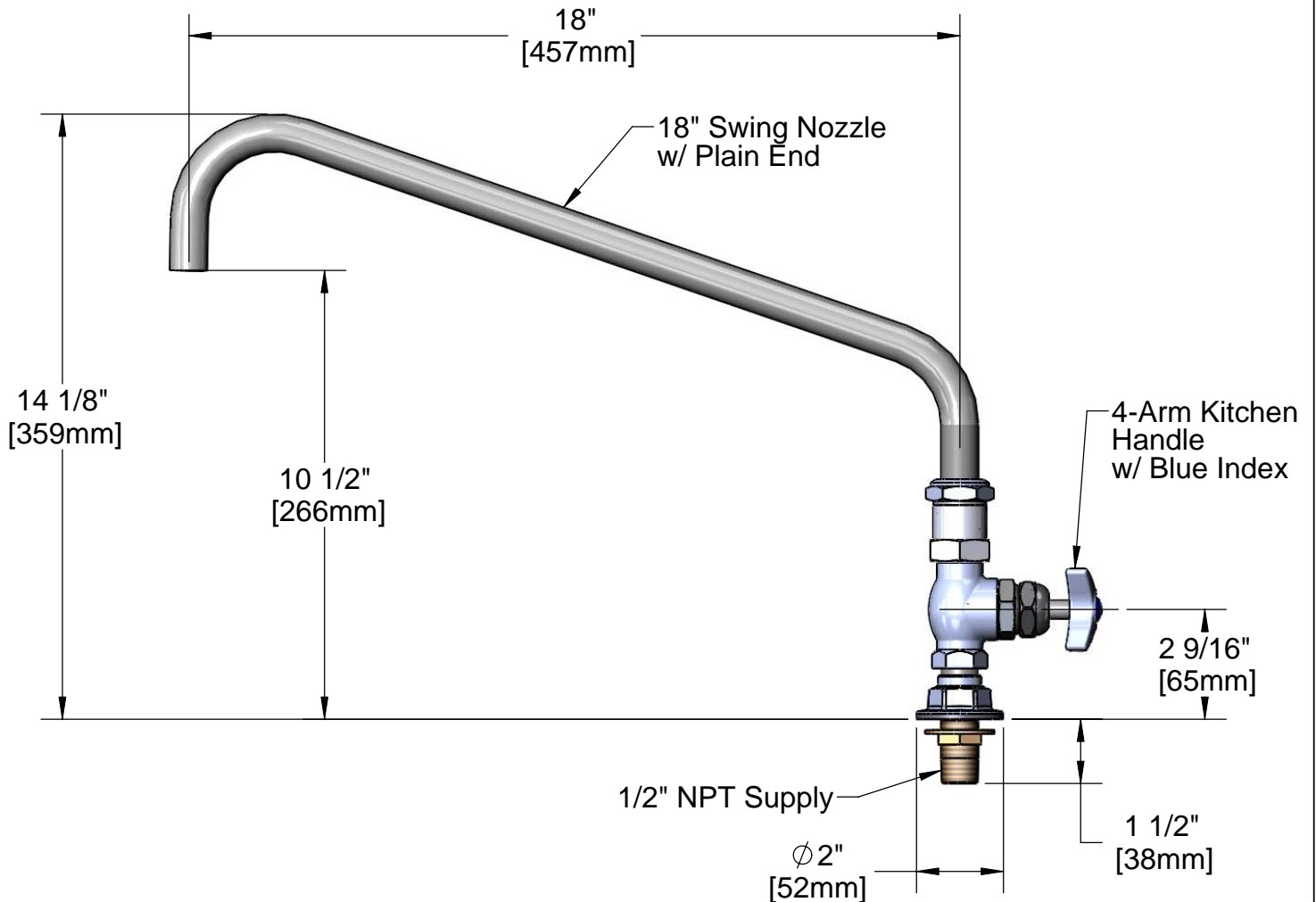
Customer/Wholesaler _____

Contractor _____

Architect/Engineer _____



ADA Compliant



Rough-in: ϕ 1" [25mm] Hole

Product Specifications:
"Big-Flo" Valve Faucet w/ 4-Arm Handle, 18" Swing Nozzle Assembly & 1/2" NPT Supply Nipple Unit

Drawn DMH	Checked KJG	Approved JHB
Scale: 1:4		Date: 02/08/10



T&S BRASS AND BRONZE WORKS, INC.

2 Saddleback Cove / P.O. Box 1088
Travelers Rest, SC 29690



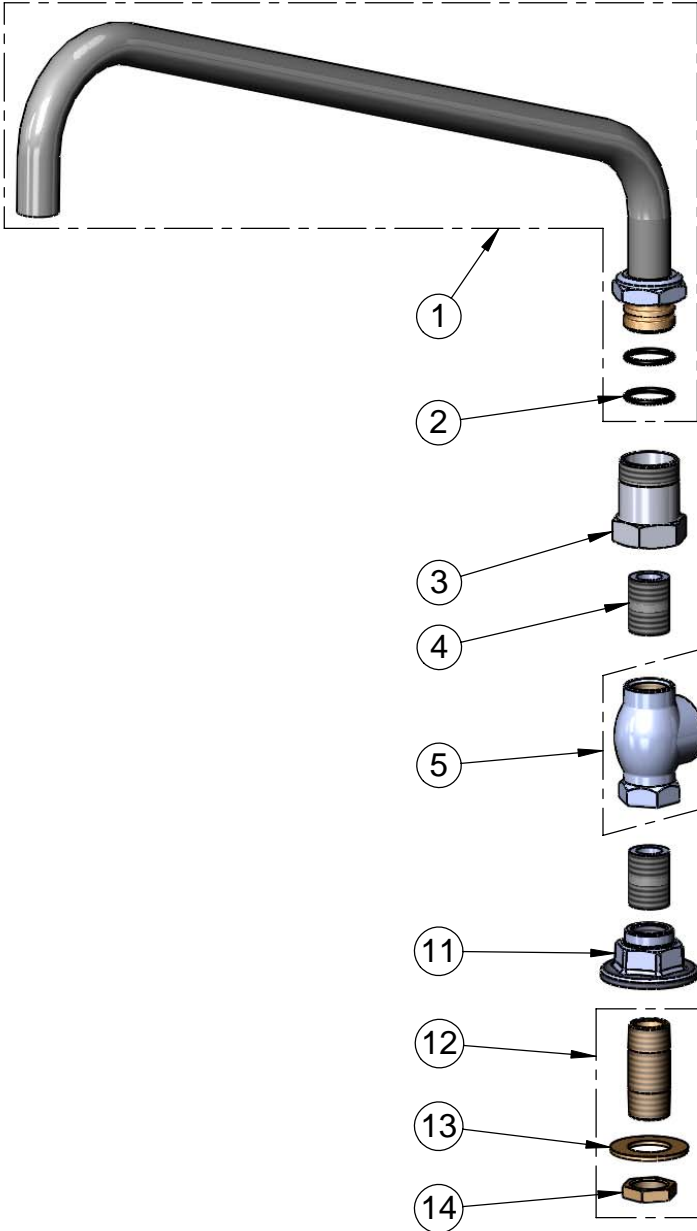
REG. #A2601
ISO #9001

Model No.

B-0297

Item No.

Travelers Rest, SC: 800-476-4103 Simi Valley, CA: 800-423-0150 Fax: 864-834-3518 www.tsbrass.com



ITEM NO.	SALES NO.	DESCRIPTION
1	115X	18" Big-Flo Swing Nozzle
2	001068-45	O-ring, Size -118
3	000594-25	Swivel Body x 1/2-14 NPT
4	002534-25	Close Nipple, 1/2"
5	002900-40	Valve Assembly w/ 4-Arm Handle
6	000764-20	Seat, B-290 RM
7	006482-40	Spindle Asm, B-0290 (RH)
8	002521-45	4-Arm Handle
9	001660-45	Blue Index-CW
10	000922-45	Lever Handle Screw
11	000013-40	Flange, 1/2" NPT Wall Mount
12	B-0425	Supply Nipple Unit, 1/2" NPT
13	000999-45	Brass Lock Washer
14	002954-45	Shank Lock Nut

Product Specifications:

"Big-Flo" Valve Faucet w/ 4-Arm Handle, 18" Swing Nozzle Assembly & 1/2" NPT Supply Nipple Unit

Drawn DMH	Checked KJG	Approved JHB
Scale: 1:4		Date: 02/08/10