



Architect/Engineering Specifications:

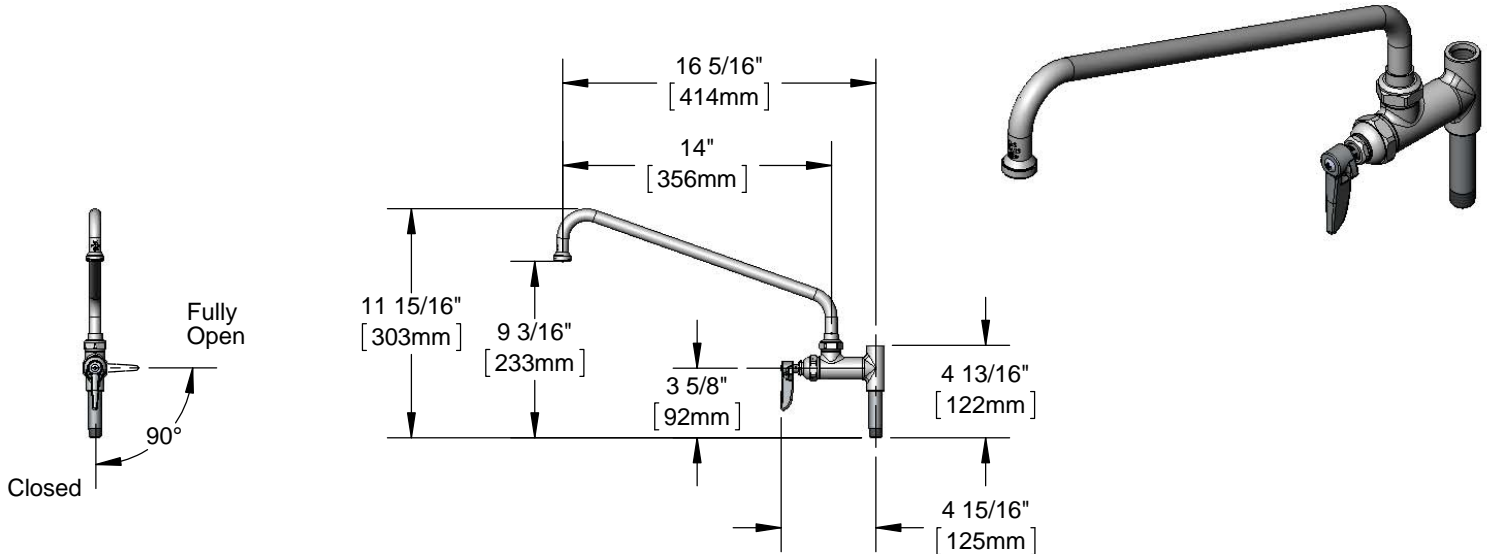
Add-on faucet with polished chrome plated brass body, 3/8" NPT female outlet, 14" swing nozzle with stream regulator outlet, compression cartridge, lever handle and 3/8" NPT male inlet. Certified to ASME A112.18.1/CSA B125.1, NSF 61-Section 9 and NSF 372.

Job Name _____

Model Specified _____ Quantity _____

Variations Specified _____

Date _____



Features & Benefits:

- Add-on faucet w/ polished chrome plated brass body
- 3/8" NPT female outlet
- 14" swing nozzle w/ stream regulator outlet, Series 1
- Quarter turn Eterna compression cartridge
- Lever handle
- 3" Nipple w/ 3/8" NPT male inlet
- Material: Polished chrome plated brass body, tubular nozzle & nipple and chrome plated metal handle.

Product Compliance:

- ASME A112.18.1 / CSA B125.1
- NSF 61 - Section 9
- NSF 372 (Low Lead Content)
- ANSI A117.1 (ADA)

Warranty: One Year (Limited)

Performance Data:

- Pressure: 20 - 125 psi
- Temperature: 40°F - 140°F
- Flow Rate: 8.91 GPM @ 60 psi



Optional Add-On Faucet Outlets (Series 1 / VR Series 6)

| GPM | Aerated | VR Aerated (VR Laminar) | Optional Handles | Optional Cartridges |
|-----|--|--|---|---|
| 1.0 | <input type="checkbox"/> B-0199-01-F10 | <input type="checkbox"/> B-0199-06-F10 | <input type="checkbox"/> 4" Wrist Action | <input type="checkbox"/> Quarter Turn Cerama |
| 1.5 | <input type="checkbox"/> B-0199-01-WS | <input type="checkbox"/> B-0199-06-WS | <input type="checkbox"/> Lever (Standard) | <input type="checkbox"/> Eterna |
| 2.2 | <input type="checkbox"/> B-0199-01 | <input type="checkbox"/> B-0199-06 | <input type="checkbox"/> 4-Arm | <input type="checkbox"/> Quarter Turn Eterna (Standard) |
| | | | | <input type="checkbox"/> Push Button Metering |
| | | | | <input type="checkbox"/> Pivot Action Metering |
| | | | | <input type="checkbox"/> Wrist Action Metering |

