



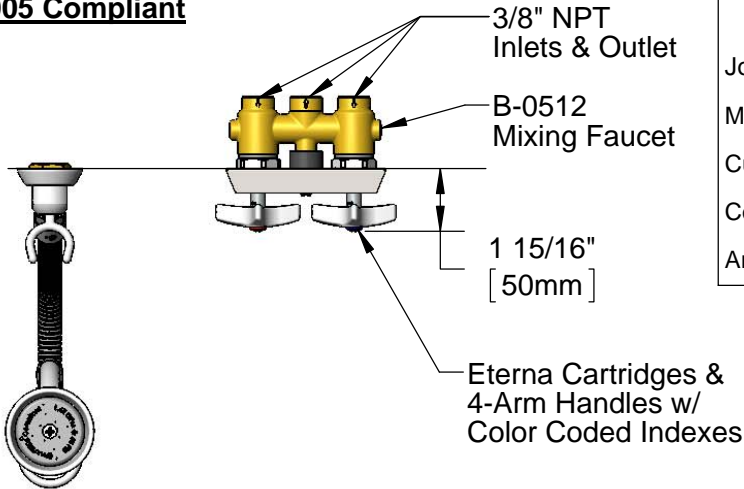
**T&S BRASS AND BRONZE WORKS, INC.**  
 2 Saddleback Cove / P.O. Box 1088  
 Travelers Rest, SC 29690

Model No.  
**B-0105**

Item No.

Travelers Rest, SC: 800-476-4103 • Simi Valley, CA: 800-423-0150 • Fax: 864-834-3518 • www.tsbrass.com

**EPAct 2005 Compliant**



This Space for Architect/Engineer Approval

Job Name \_\_\_\_\_ Date \_\_\_\_\_

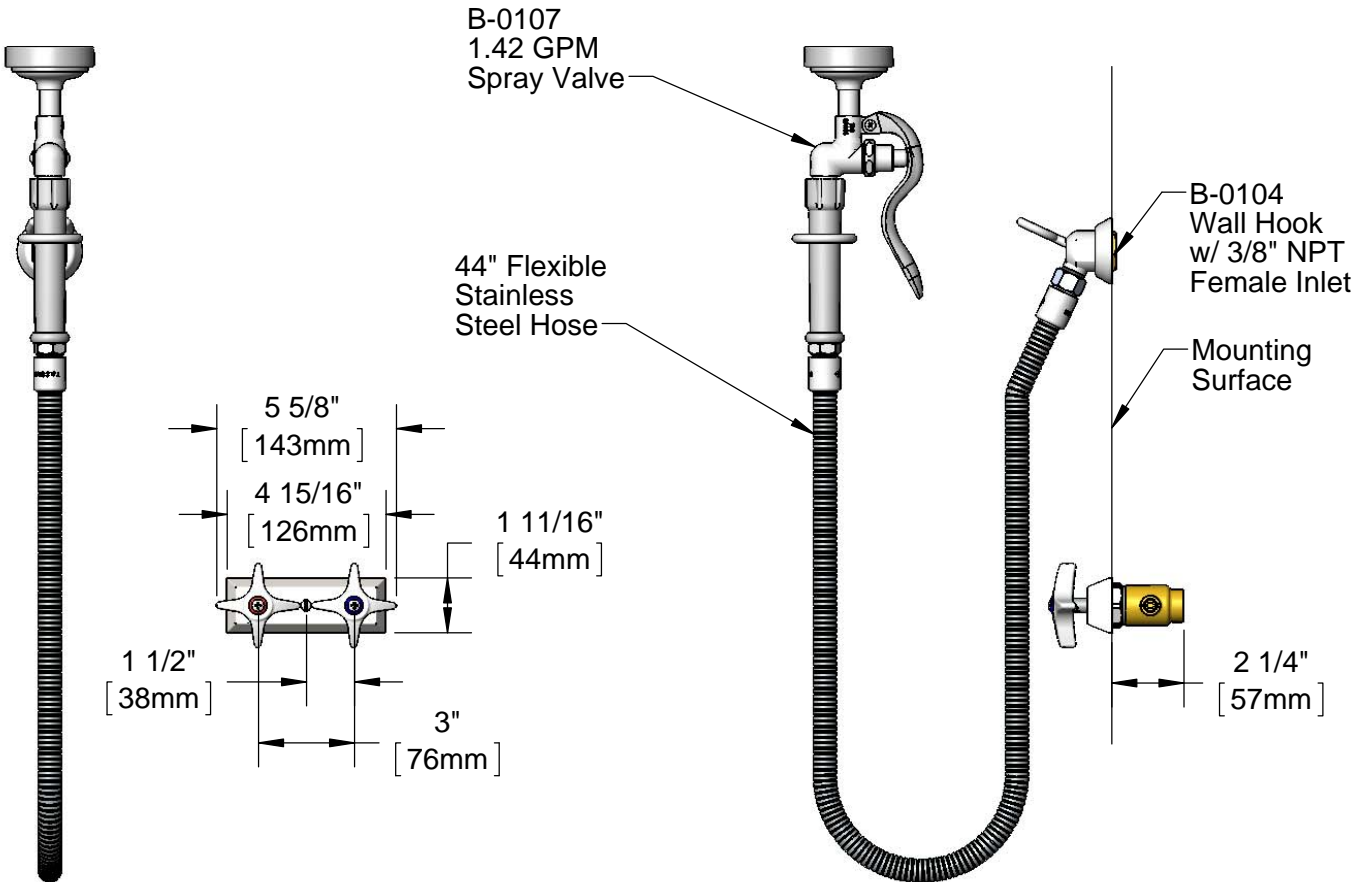
Model Specified \_\_\_\_\_ Quantity \_\_\_\_\_

Customer/Wholesaler \_\_\_\_\_

Contractor \_\_\_\_\_

Architect/Engineer \_\_\_\_\_

Note: (2) Check Valves Recommended for Cross Flow Prevention on the Cold & Hot Inlets. (Sold Separately)



Rough-In Requirement:  
 (2)  $\phi$  1 9/16" [40mm] Mounting Holes  
 $\phi$  1/4" [6mm] Center Mounting Screw

Product Specifications:  
 3" Concealed Mixing Faucet w/ Eterna Cartridges, 4-Arm Handles, 1.42 GPM Spray Valve, 44" Flexible Stainless Steel Hose & Wall Hook

Drawn <b>KJG</b>	Checked <b>DMH</b>	Approved <b>JHB</b>
Scale: <b>1:6</b>		Date: <b>02/26/14</b>



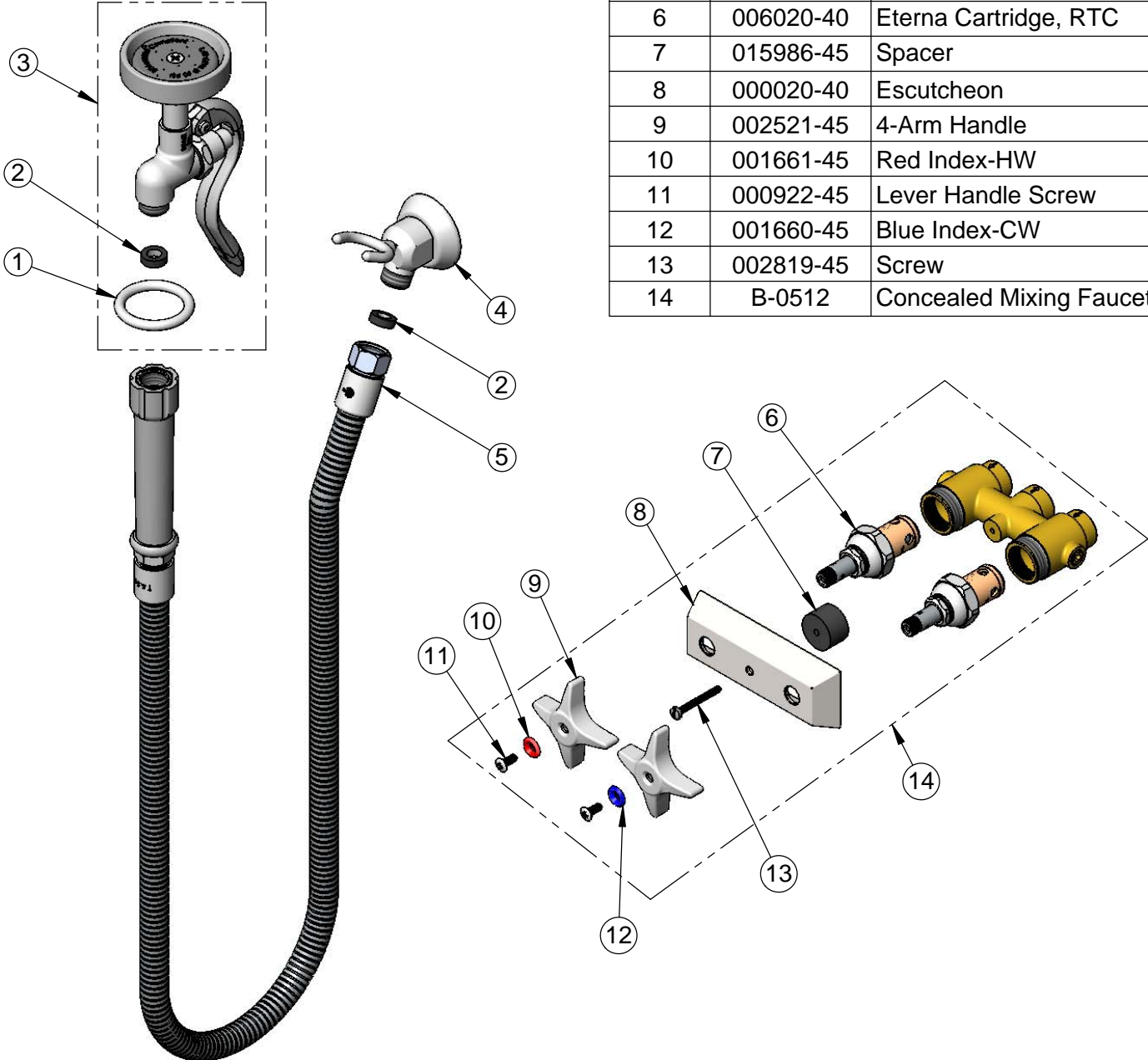
**T&S BRASS AND BRONZE WORKS, INC.**  
 2 Saddleback Cove / P.O. Box 1088  
 Travelers Rest, SC 29690

Model No.  
**B-0105**

Item No.

Travelers Rest, SC: 800-476-4103 • Simi Valley, CA: 800-423-0150 • Fax: 864-834-3518 • www.tsbrass.com

ITEM NO.	SALES NO.	DESCRIPTION
1	000907-45	Spray Valve Hold Down Ring
2	010476-45	#27 Washer
3	B-0107	1.42 GPM Spray Valve
4	B-0104	Wall Hook, 3/4"-14UN Male Outlet
5	B-0044-H	44" Flexible Stainless Steel Hose
6	006020-40	Eterna Cartridge, RTC
7	015986-45	Spacer
8	000020-40	Escutcheon
9	002521-45	4-Arm Handle
10	001661-45	Red Index-HW
11	000922-45	Lever Handle Screw
12	001660-45	Blue Index-CW
13	002819-45	Screw
14	B-0512	Concealed Mixing Faucet



Product Specifications:  
 3" Concealed Mixing Faucet w/ Eterna Cartridges, 4-Arm Handles,  
 1.42 GPM Spray Valve, 44" Flexible Stainless Steel Hose & Wall Hook

Drawn <b>KJG</b>	Checked <b>DMH</b>	Approved <b>JHB</b>
Scale: <b>NTS</b>		Date: <b>02/26/14</b>