



T&S BRASS AND BRONZE WORKS, INC.
 2 Saddleback Cove / P.O. Box 1088
 Travelers Rest, SC 29690

Model No.
B-0100-08

Item No.

Travelers Rest, SC: 800-476-4103 • Simi Valley, CA: 800-423-0150 • Fax: 864-834-3518 • www.tsbrass.com

This Space for Architect/Engineer Approval

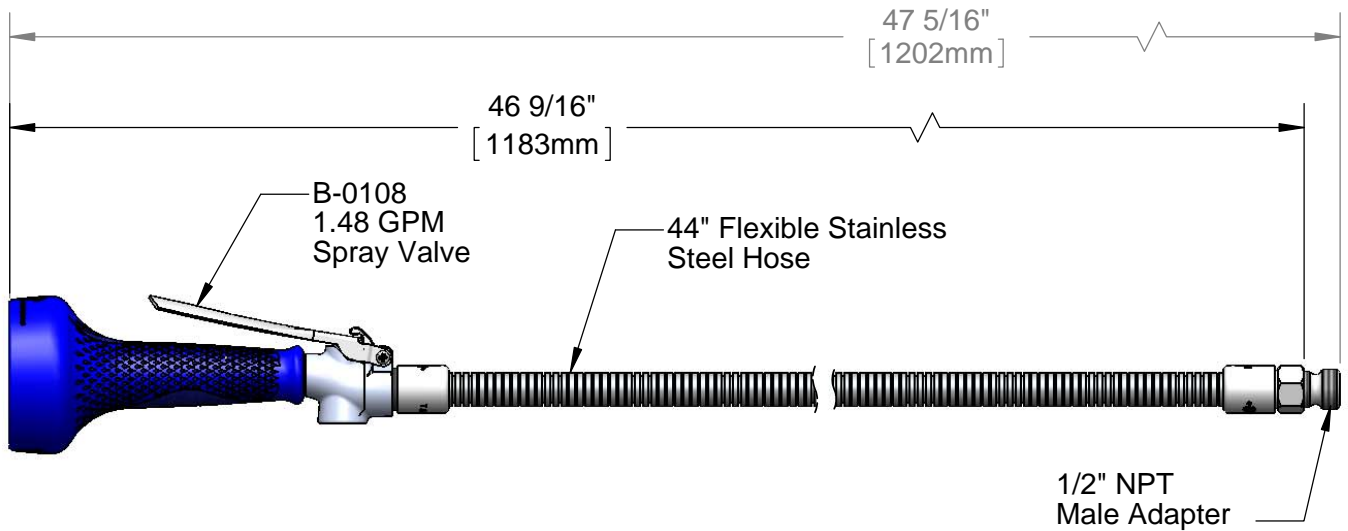
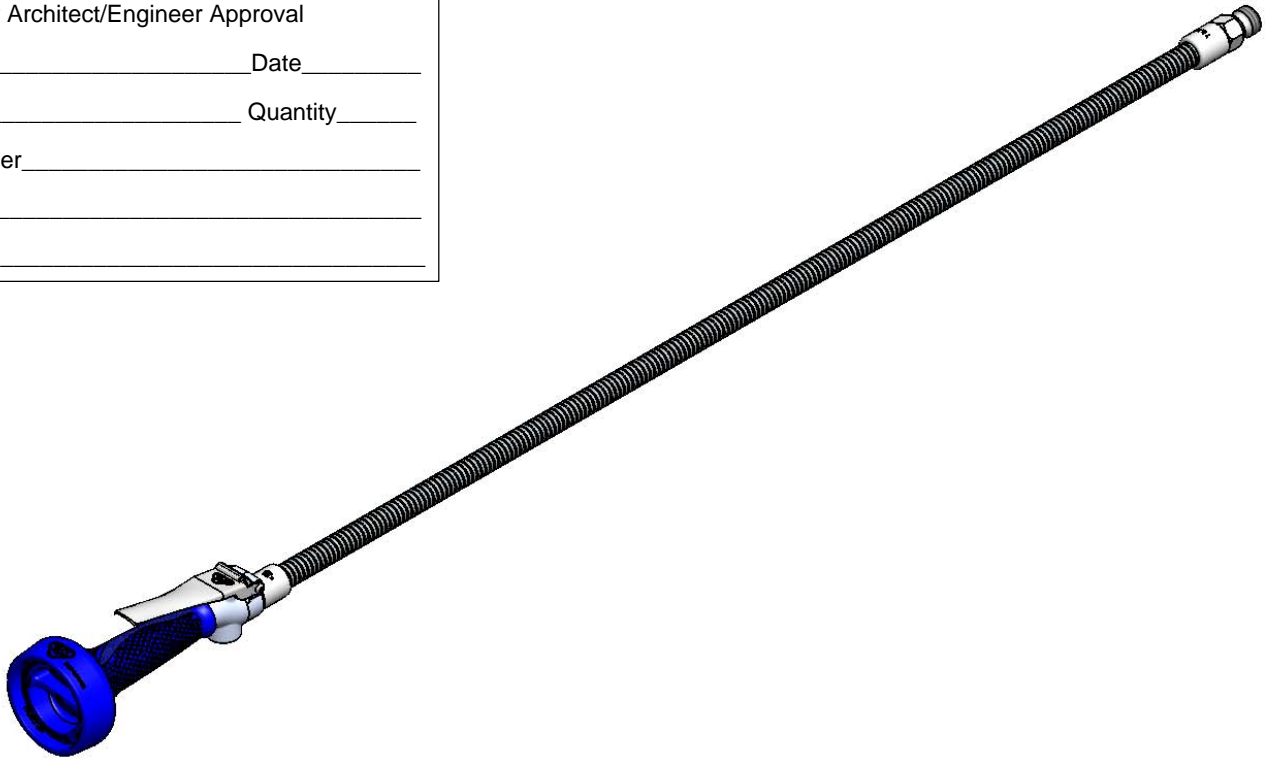
Job Name _____ Date _____

Model Specified _____ Quantity _____

Customer/Wholesaler _____

Contractor _____

Architect/Engineer _____



Product Specifications:
 B-0108 Spray Valve w/ 44" Flexible Stainless Steel Hose & Adapter

Product Compliance:
 ASME A112.18.1 / CSA B125.1
 NSF 61 - Section 9
 NSF 372 (Low Lead Content)
 EPA Act 2005 (PRSV)



T&S BRASS AND BRONZE WORKS, INC.

2 Saddleback Cove / P.O. Box 1088
Travelers Rest, SC 29690

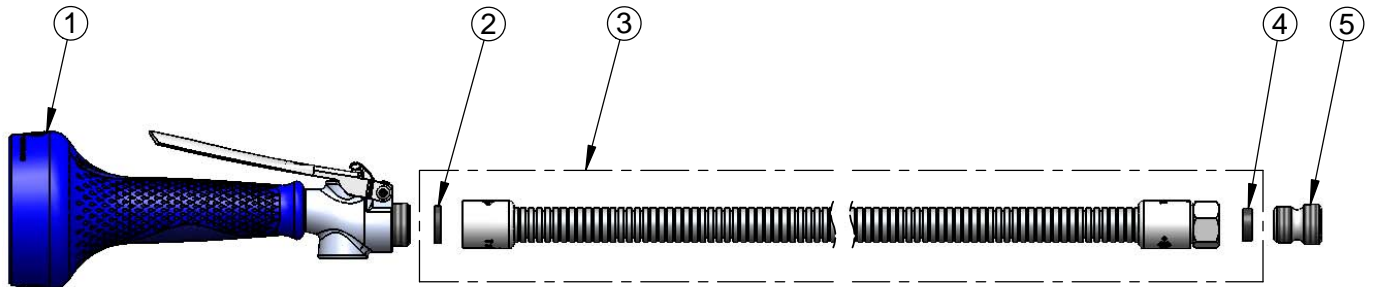
Model No.

B-0100-08

Item No.

Travelers Rest, SC: 800-476-4103 • Simi Valley, CA: 800-423-0150 • Fax: 864-834-3518 • www.tsbrass.com

ITEM NO.	SALES NO.	DESCRIPTION
1	B-0108	1.48 GPM Spray Valve w/ Ergo-Grip
2	001014-45	Washer, B-0100 Hose Barrel
3	B-0044-H2A	44" Flexible Stainless Steel Hose, Less Handle
4	010476-45	#27 Washer
5	055A	Adapter, 1/2 NPT Male



Product Specifications:

B-0108 Spray Valve w/ 44" Flexible Stainless Steel Hose & Adapter

Product Compliance:

ASME A112.18.1 / CSA B125.1
NSF 61 - Section 9
NSF 372 (Low Lead Content)
EPA 2005 (PRSV)



T&S BRASS AND BRONZE WORKS, INC.
 2 SADDLEBACK COVE / P.O. BOX 1088 / TRAVELERS REST, SC 29690
 PHONE 800-476-4103 FAX 864- 834-3518



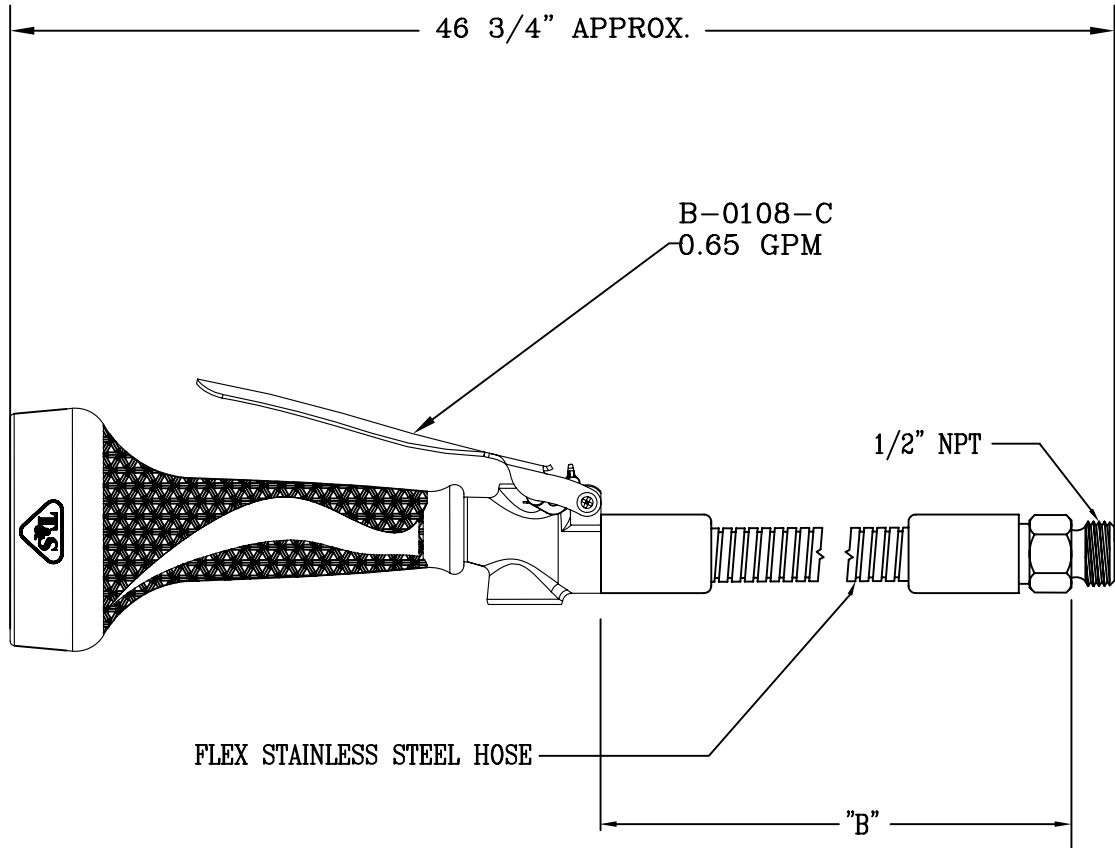
Model No.
 B-0100-08C
 Item No.:

Job Name:

Architect/Engineer Approval:

Notes:

EPAct2005 COMPLIANT



NOTE: "B" STANDARD LENGTH IS 38 1/2"
 ANY LENGTH IS AVAILABLE

Product Description:

PRE-RINSE UNIT

Drawn:

JRM

Approved

JHB

Checked

DMH

Scale:

NTS

Date:

12/04/09



T&S BRASS AND BRONZE WORKS, INC.
 2 Saddleback Cove / P.O. Box 1088
 Travelers Rest, SC 29690

Model No.
B-0100-08-172A

Item No.

Travelers Rest, SC: 800-476-4103 • Simi Valley, CA: 800-423-0150 • Fax: 864-834-3518 • www.tsbrass.com

This Space for Architect/Engineer Approval

Job Name _____ Date _____

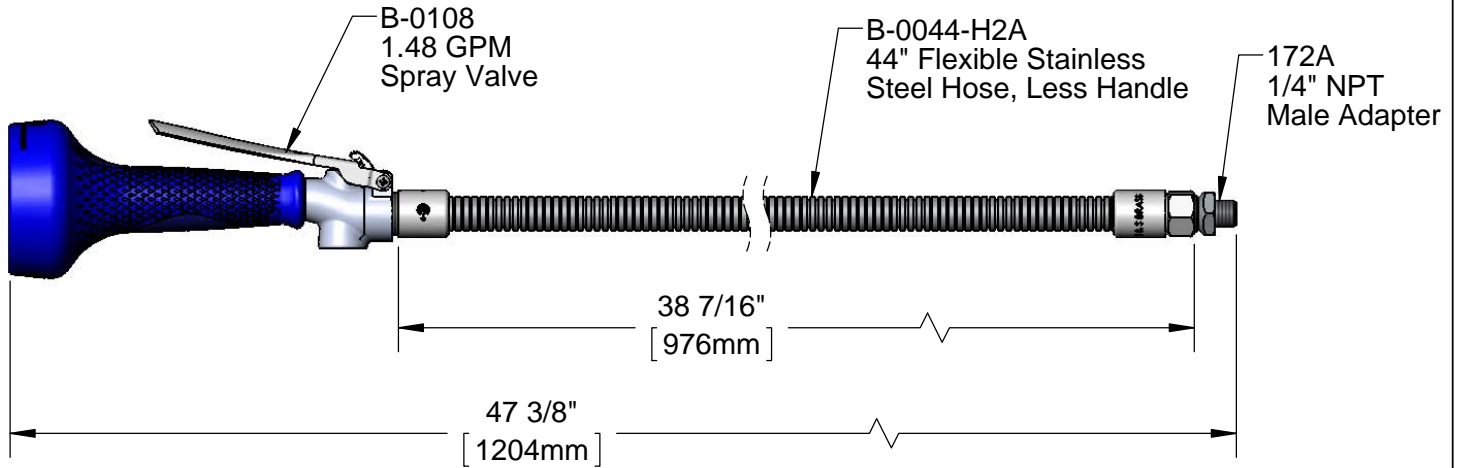
Model Specified _____ Quantity _____

Customer/Wholesaler _____

Contractor _____

Architect/Engineer _____

EPAct 2005 COMPLIANT



Product Specifications:
 Pre-Rinse Unit:
 B-0108 Spray Valve w/ 44" Flexible Stainless Steel Hose, Less Handle
 & 1/4" NPT Male Adapter

Drawn KJG	Checked DMH	Approved JHB
Scale: 1:4		Date: 12/19/13



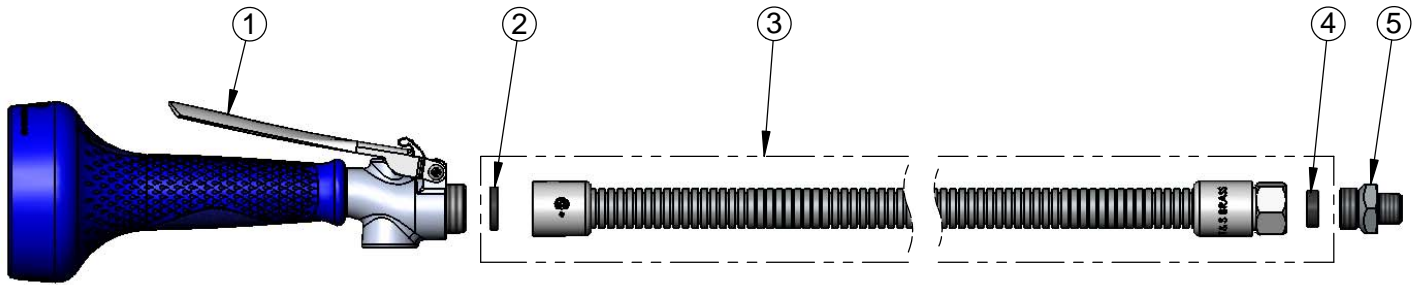
T&S BRASS AND BRONZE WORKS, INC.
 2 Saddleback Cove / P.O. Box 1088
 Travelers Rest, SC 29690

Model No.
B-0100-08-172A

Item No.

Travelers Rest, SC: 800-476-4103 • Simi Valley, CA: 800-423-0150 • Fax: 864-834-3518 • www.tsbrass.com

ITEM NO.	SALES NO.	DESCRIPTION
1	B-0108	1.48 GPM Spray Valve w/ Ergo-Grip
2	001014-45	Washer, B-0100 Hose Barrel
3	B-0044-H2A	44" Flexible Stainless Steel Hose, Less Handle
4	010476-45	#27 Washer
5	172A	Adapter, 1/4" NPT Male



Product Specifications:
 Pre-Rinse Unit:
 B-0108 Spray Valve w/ 44" Flexible Stainless Steel Hose, Less Handle
 & 1/4" NPT Male Adapter

Drawn KJG	Checked DMH	Approved JHB
Scale: NTS		Date: 12/19/13



T&S BRASS AND BRONZE WORKS, INC.
 2 Saddleback Cove / P.O. Box 1088
 Travelers Rest, SC 29690

Model No.
B-0100-08C-172A

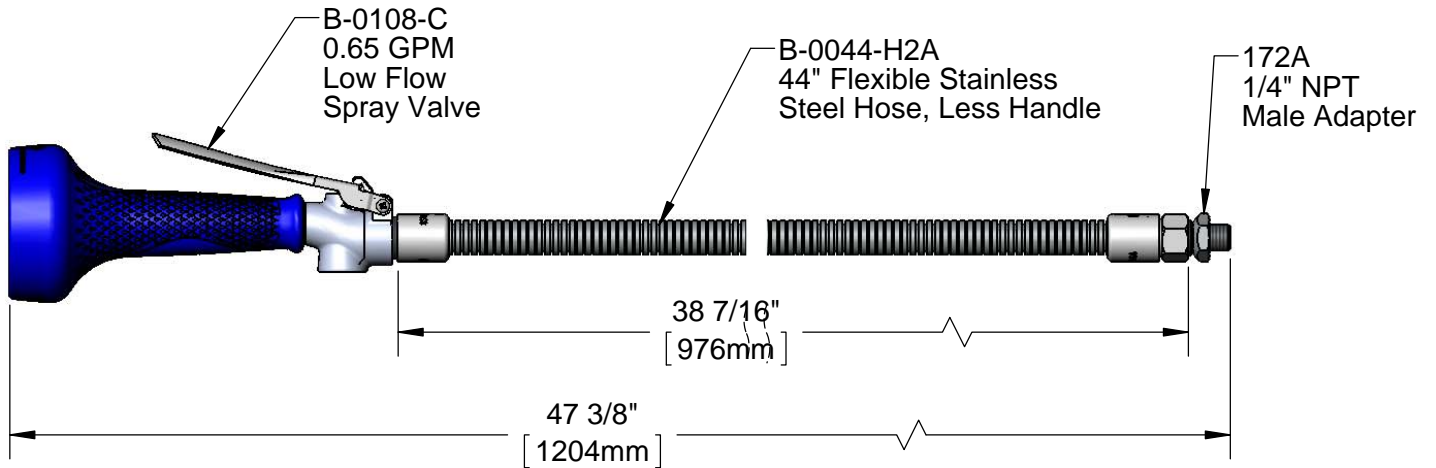
Item No.

Travelers Rest, SC: 800-476-4103 • Simi Valley, CA: 800-423-0150 • Fax: 864-834-3518 • www.tsbrass.com

This Space for Architect/Engineer Approval

Job Name _____ Date _____
 Model Specified _____ Quantity _____
 Customer/Wholesaler _____
 Contractor _____
 Architect/Engineer _____

EPAct 2005 COMPLIANT



Product Specifications:
 Pre-Rinse Unit:
 B-0108-C Spray Valve w/ 44" Flexible Stainless Steel Hose,
 Less Handle & 1/4" NPT Male Adapter

Drawn KJG	Checked DMH	Approved JHB
Scale: 1:4		Date: 12/19/13



T&S BRASS AND BRONZE WORKS, INC.

2 Saddleback Cove / P.O. Box 1088
Travelers Rest, SC 29690

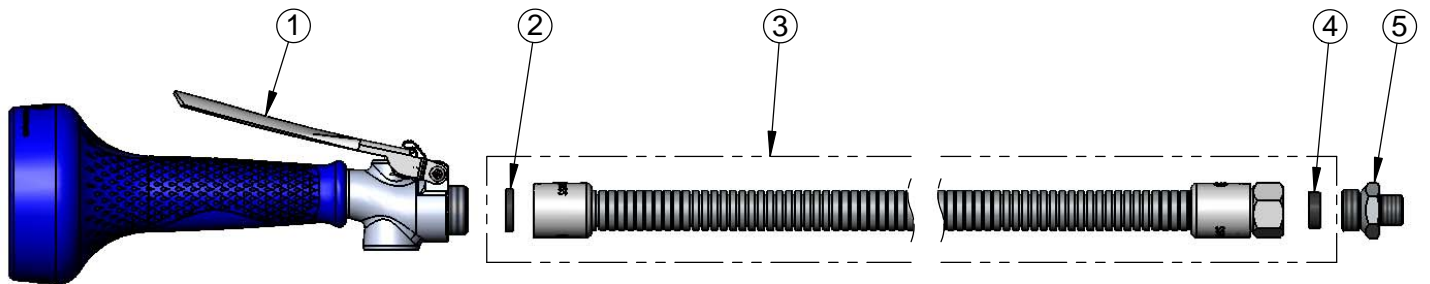
Model No.

B-0100-08C-172A

Item No.

Travelers Rest, SC: 800-476-4103 • Simi Valley, CA: 800-423-0150 • Fax: 864-834-3518 • www.tsbrass.com

ITEM NO.	SALES NO.	DESCRIPTION
1	B-0108-C	0.65 GPM Spray Valve w/ Ergo-Grip
2	001014-45	Washer, B-0100 Hose Barrel
3	B-0044-H2A	44" Flexible Stainless Steel Hose, Less Handle
4	010476-45	#27 Washer
5	172A	Adapter, 1/4" NPT Male



Product Specifications:
Pre-Rinse Unit:
B-0108-C Spray Valve w/ 44" Flexible Stainless Steel Hose,
Less Handle & 1/4" NPT Male Adapter

Drawn

KJG

Checked

DMH

Approved

JHB

Scale:

NTS

Date:

12/19/13