



T&S BRASS AND BRONZE WORKS, INC.
 2 Saddleback Cove / P.O. Box 1088
 Travelers Rest, SC 29690

Model No.

B-0044-H5

Item No.

Travelers Rest, SC: 800-476-4103 • Simi Valley, CA: 800-423-0150 • Fax: 864-834-3518 • www.tsbrass.com

This Space for Architect/Engineer Approval

Job Name _____ Date _____

Model Specified _____ Quantity _____

Customer/Wholesaler _____

Contractor _____

Architect/Engineer _____

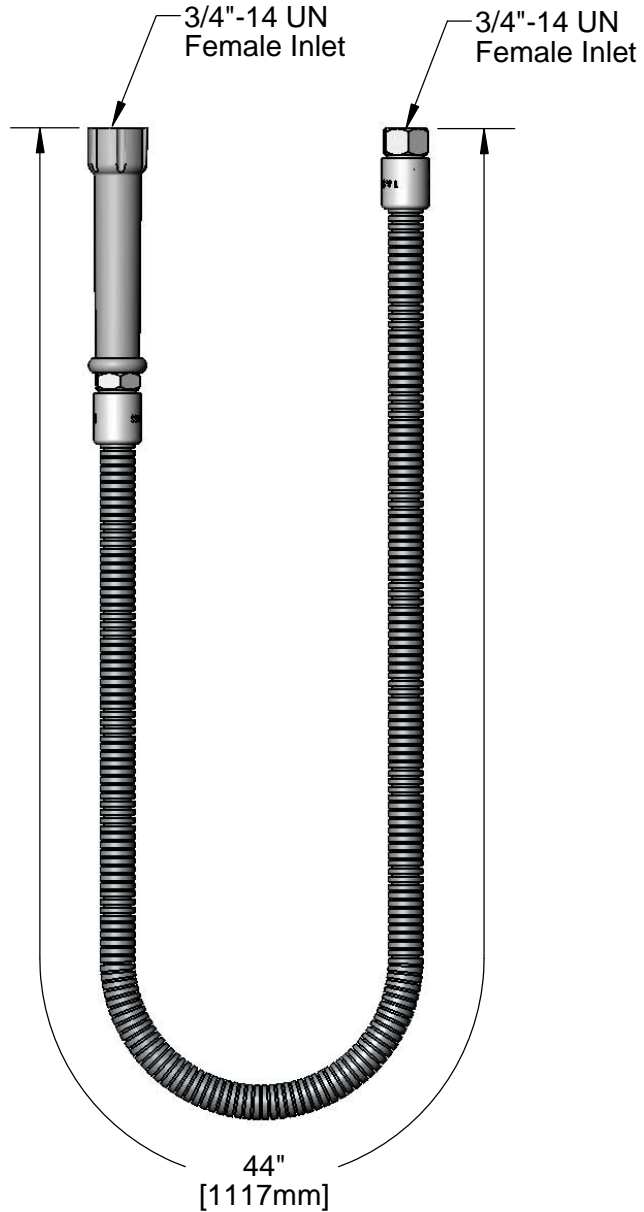
EPAct2005 COMPLIANT



**053A
 Adapter**
 3/8" NPT Male x
 3/4"-14 UN Male
 (Included)



**172A
 Adapter**
 1/4" NPT Male x
 3/4"-14 UN Male
 (Included)



Product Specifications:
 44" Flexible Stainless Steel Hose w/ Adapters

Drawn

KJG

Checked

DMH

Approved

JHB

Scale:

1:4

Date:

11/15/13



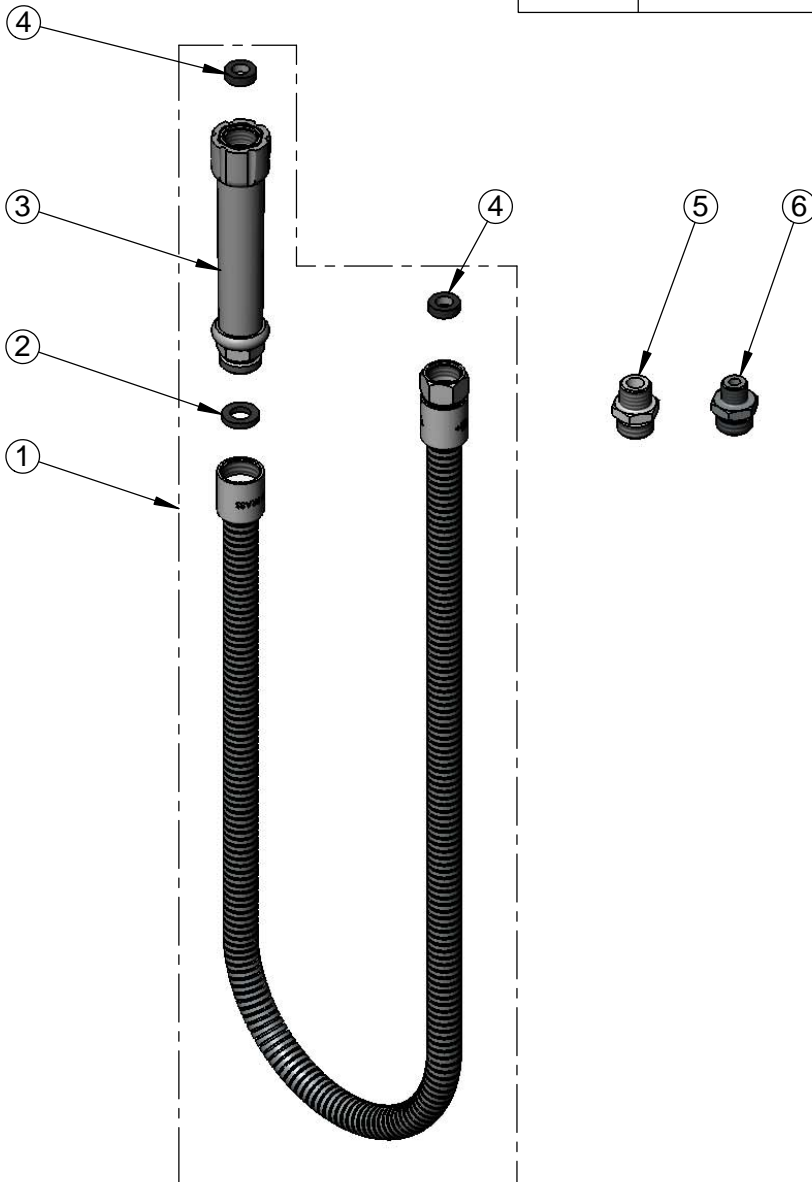
T&S BRASS AND BRONZE WORKS, INC.
 2 Saddleback Cove / P.O. Box 1088
 Travelers Rest, SC 29690

Model No.
B-0044-H5

Item No.

Travelers Rest, SC: 800-476-4103 • Simi Valley, CA: 800-423-0150 • Fax: 864-834-3518 • www.tsbrass.com

ITEM NO.	SALES NO.	DESCRIPTION
1	B-0044-H	44" Flexible Stainless Steel Hose
2	001014-45	Washer, B-0100 Hose Barrel
3	002987-40	Grip Handle
4	010476-45	#27 Washer
5	053A	Adapter, 3/8" NPT male x 3/4"-14 UN Male
6	172A	Adapter, 1/4" NPT Male x 3/4"-14 UN Male



Product Specifications:
 44" Flexible Stainless Steel Hose w/ Adapters

Drawn KJG	Checked DMH	Approved JHB
Scale: NTS		Date: 11/15/13