



**T&S BRASS AND BRONZE WORKS, INC.**  
 2 Saddleback Cove / P.O. Box 1088  
 Travelers Rest, SC 29690

Model No.  
**B-0044-H3**

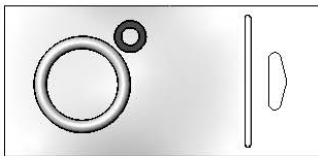
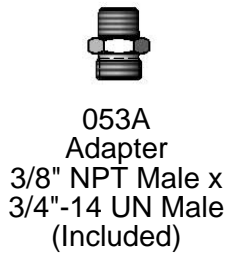
Item No.

Travelers Rest, SC: 800-476-4103 • Simi Valley, CA: 800-423-0150 • Fax: 864-834-3518 • www.tsbrass.com

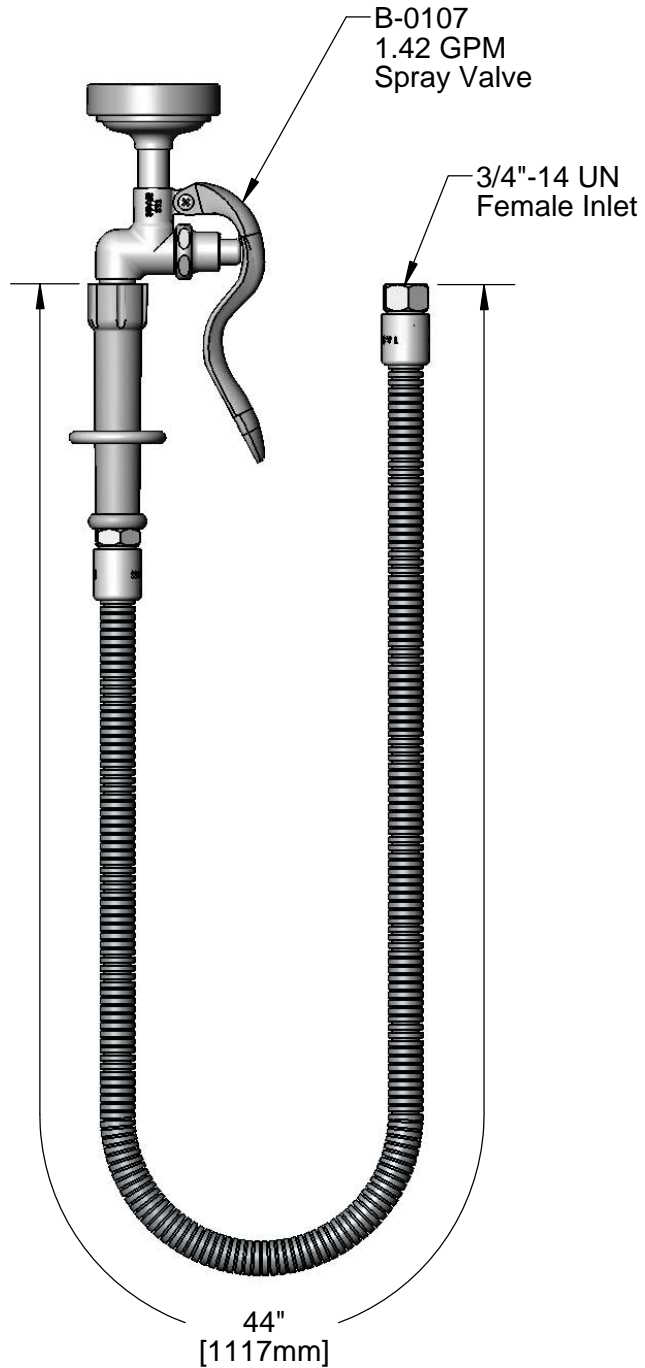
This Space for Architect/Engineer Approval

Job Name \_\_\_\_\_ Date \_\_\_\_\_  
 Model Specified \_\_\_\_\_ Quantity \_\_\_\_\_  
 Customer/Wholesaler \_\_\_\_\_  
 Contractor \_\_\_\_\_  
 Architect/Engineer \_\_\_\_\_

**EPAAct2005 COMPLIANT**



Hold Down Ring  
 & Washer  
 (Included)



Product Specifications:  
 44" Flexible Stainless Steel Hose w/ Adapters & 1.42 GPM Spray Valve

Drawn <b>KJG</b>	Checked <b>DMH</b>	Approved <b>JHB</b>
Scale: <b>1:4</b>		Date: <b>11/15/13</b>

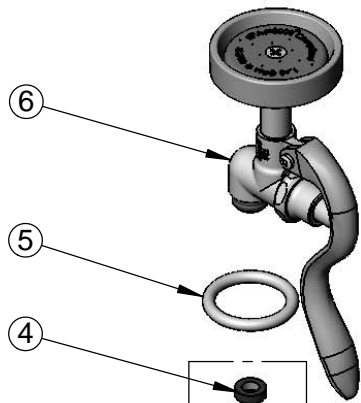


**T&S BRASS AND BRONZE WORKS, INC.**  
 2 Saddleback Cove / P.O. Box 1088  
 Travelers Rest, SC 29690

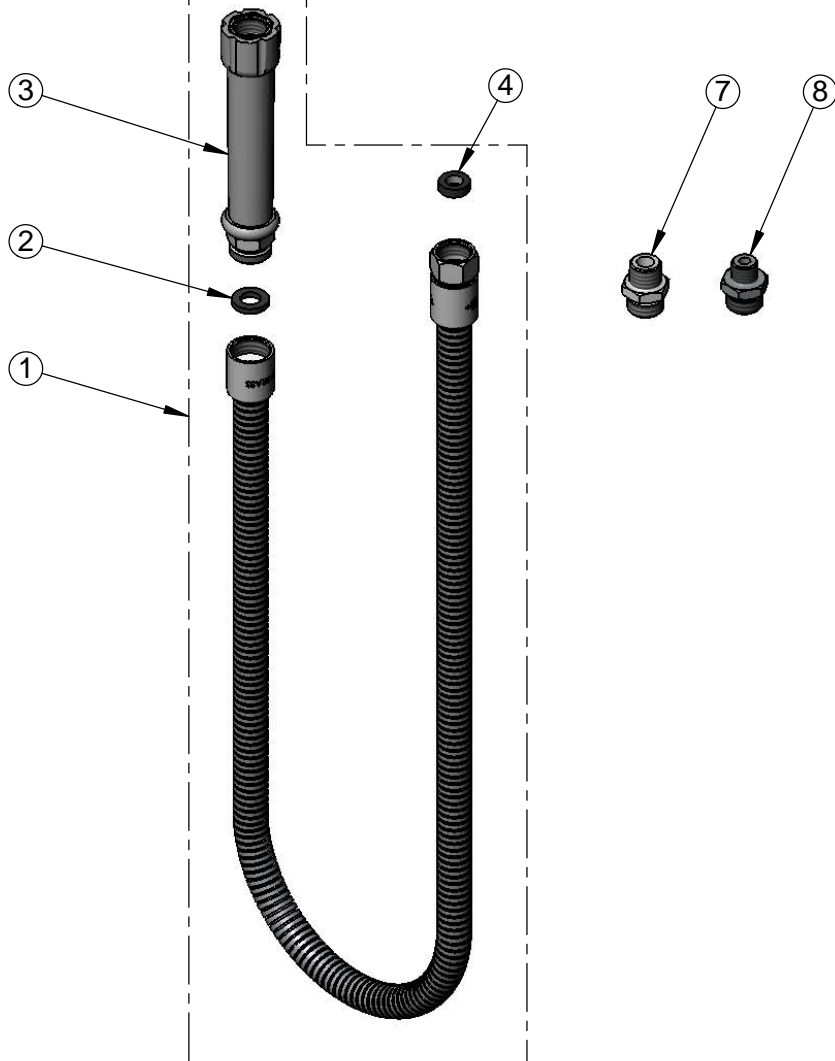
Model No.  
**B-0044-H3**

Item No.

Travelers Rest, SC: 800-476-4103 • Simi Valley, CA: 800-423-0150 • Fax: 864-834-3518 • www.tsbrass.com



ITEM NO.	SALES NO.	DESCRIPTION
1	B-0044-H	44" Flexible Stainless Steel Hose
2	001014-45	Washer, B-0100 Hose Barrel
3	002987-40	Grip Handle
4	010476-45	#27 Washer
5	000907-45	Spray Valve Hold Down Ring
6	B-0107	1.42 GPM Spray Valve
7	053A	Adapter, 3/8" NPT Male x 3/4"-14 UN Male
8	172A	Adapter, 1/4" NPT Male x 3/4"-14 UN Male



Product Specifications:  
 44" Flexible Stainless Steel Hose w/ Adapters & 1.42 GPM Spray Valve

Drawn <b>KJG</b>	Checked <b>DMH</b>	Approved <b>JHB</b>
---------------------	-----------------------	------------------------

Scale: <b>NTS</b>	Date: <b>11/15/13</b>
----------------------	--------------------------