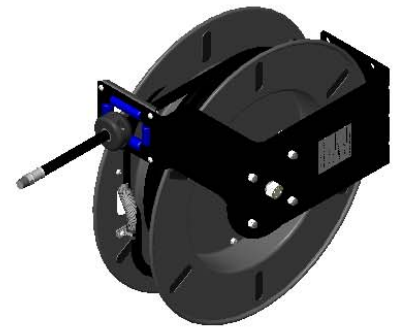
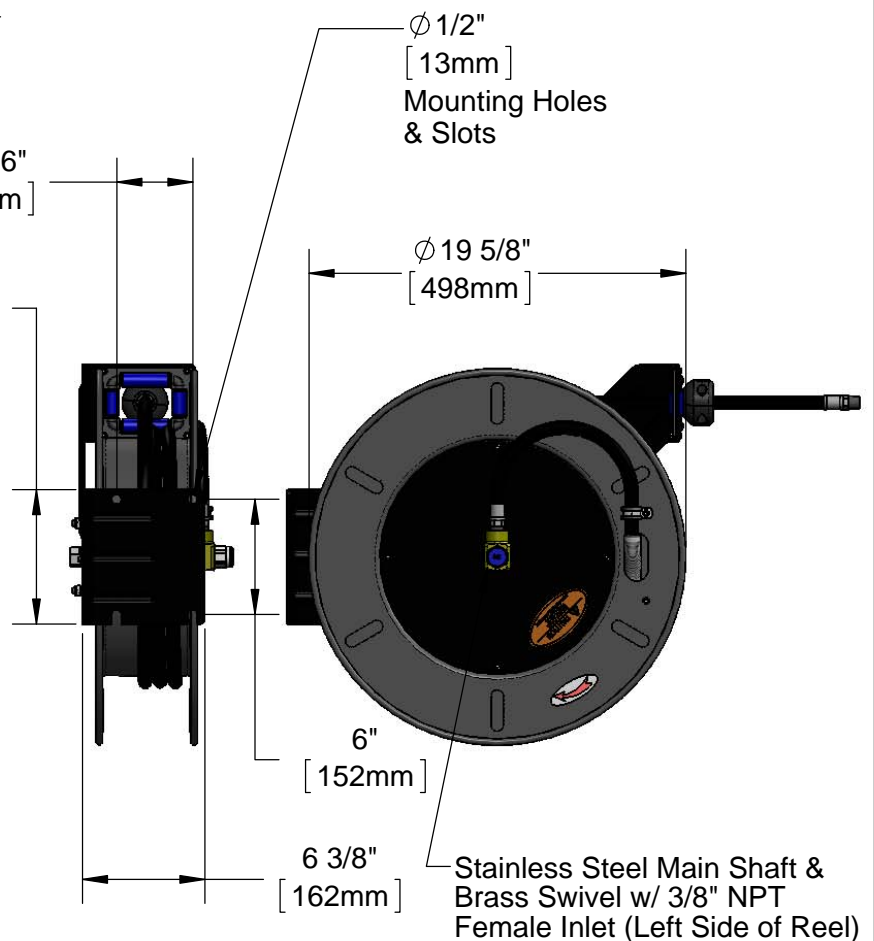
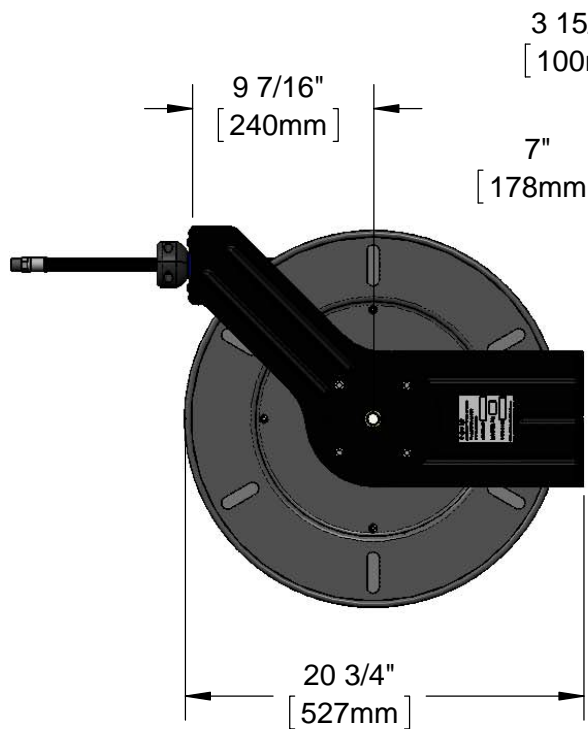
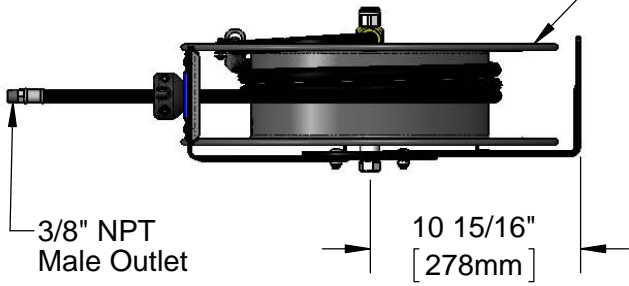


This Space for Architect/Engineer Approval

Job Name \_\_\_\_\_ Date \_\_\_\_\_  
 Model Specified \_\_\_\_\_ Quantity \_\_\_\_\_  
 Customer/Wholesaler \_\_\_\_\_  
 Contractor \_\_\_\_\_  
 Architect/Engineer \_\_\_\_\_



Black Powder Coated Steel w/  $\varnothing 3/8"$  x 50' Hose



Hose Ratings

Pressure: 300 PSI Max.  
 Temperature: 0° - 176°F

Model Number

**5HR-242**

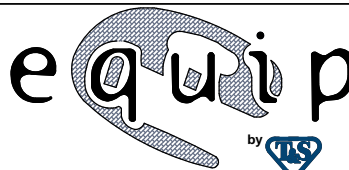
Product Specifications:

Black Powder Coated Steel, Open Hose Reel  
 w/  $\varnothing 3/8"$  x 50' Hose, Less Spray Valve

Product Compliance:

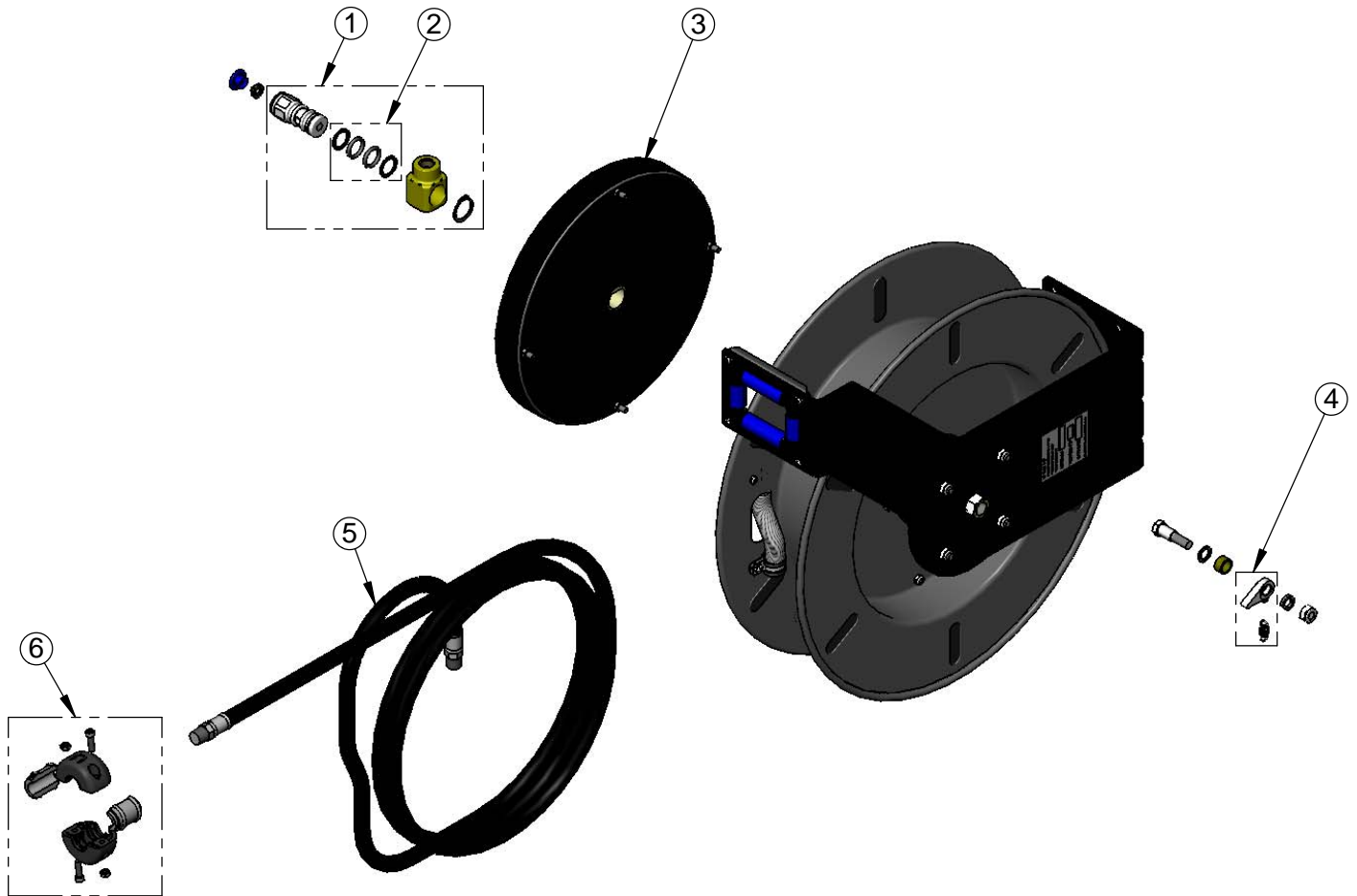
NSF 61 Exempt (Non-Potable)

equip  
 Foodservice  
 Accessories



2 Saddleback Cove, P.O. Box 1088  
 Travelers Rest, South Carolina 29690  
 Phone: 800.891.4808 Fax: 800.868.0084  
 equip.tsbrass.com

ITEM NO.	SALES NO.	DESCRIPTION
1	5HR-2SA	Complete 3/8" Swivel Assembly
2	014948-45	Seal Kit
3	G016684-45	Spring Assembly
4	014940-45	Ratchet Repair Kit
5	5HR-2HSE-50	Ø 3/8" x 50' Hose
6	019246-45	Hose Stop Repair Kit



Model Number

**5HR-242**

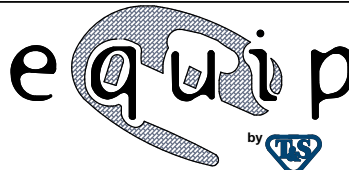
Product Specifications:

**Black Powder Coated Steel, Open Hose Reel  
w/ Ø3/8" x 50' Hose, Less Spray Valve**

Product Compliance:

NSF 61 Exempt (Non-Potable)

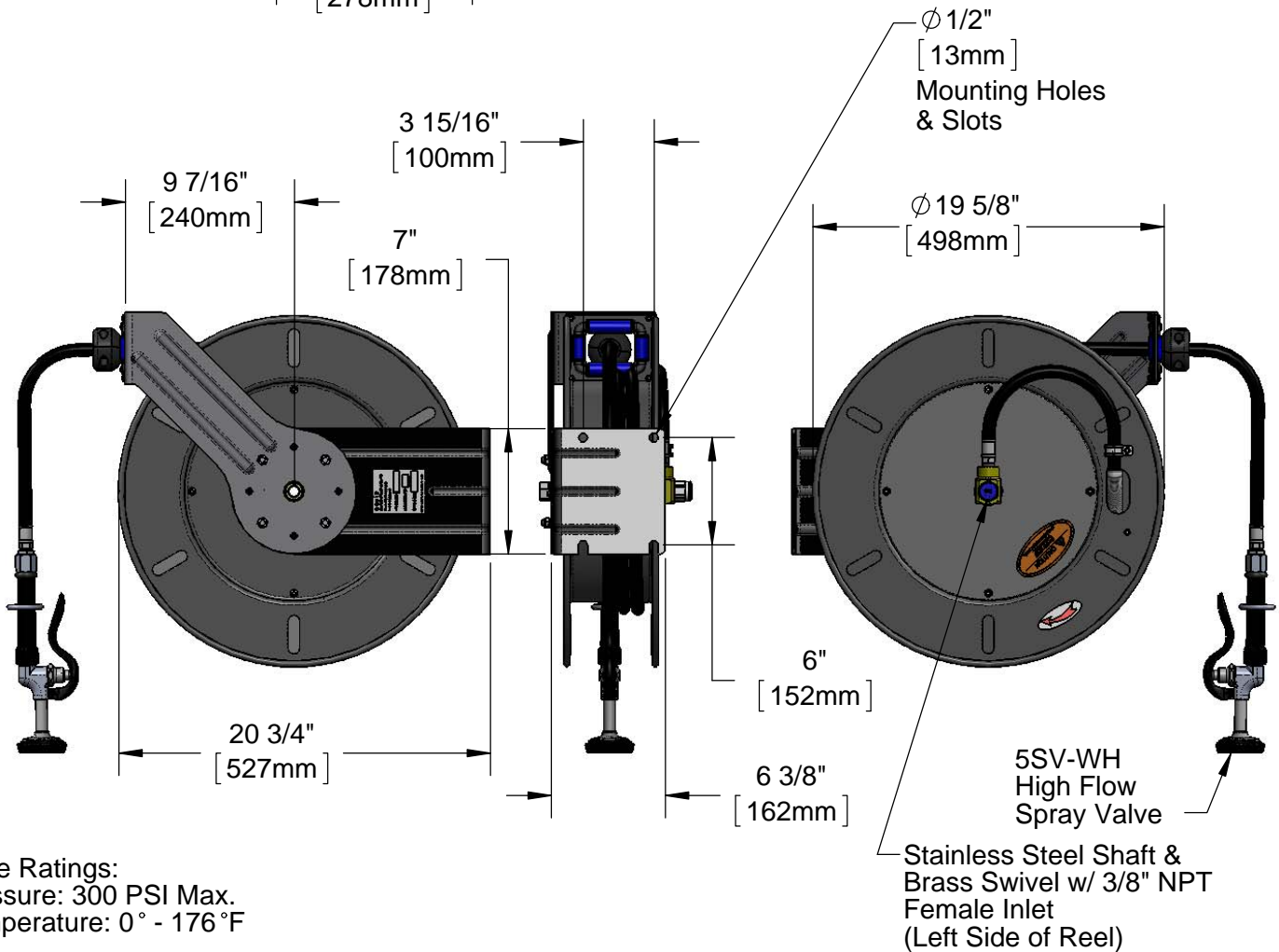
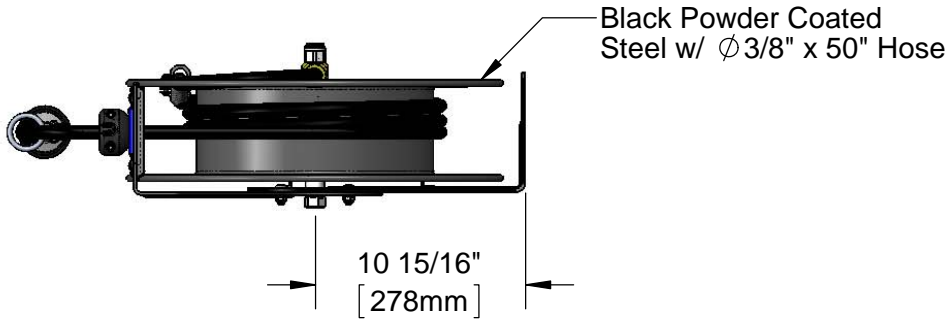
equip  
Foodservice  
Accessories



2 Saddleback Cove, P.O. Box 1088  
Travelers Rest, South Carolina 29690  
Phone: 800.891.4808 Fax: 800.868.0084  
equip.tsbrass.com

This Space for Architect/Engineer Approval

Job Name \_\_\_\_\_ Date \_\_\_\_\_  
 Model Specified \_\_\_\_\_ Quantity \_\_\_\_\_  
 Customer/Wholesaler \_\_\_\_\_  
 Contractor \_\_\_\_\_  
 Architect/Engineer \_\_\_\_\_



Hose Ratings:  
 Pressure: 300 PSI Max.  
 Temperature: 0° - 176°F

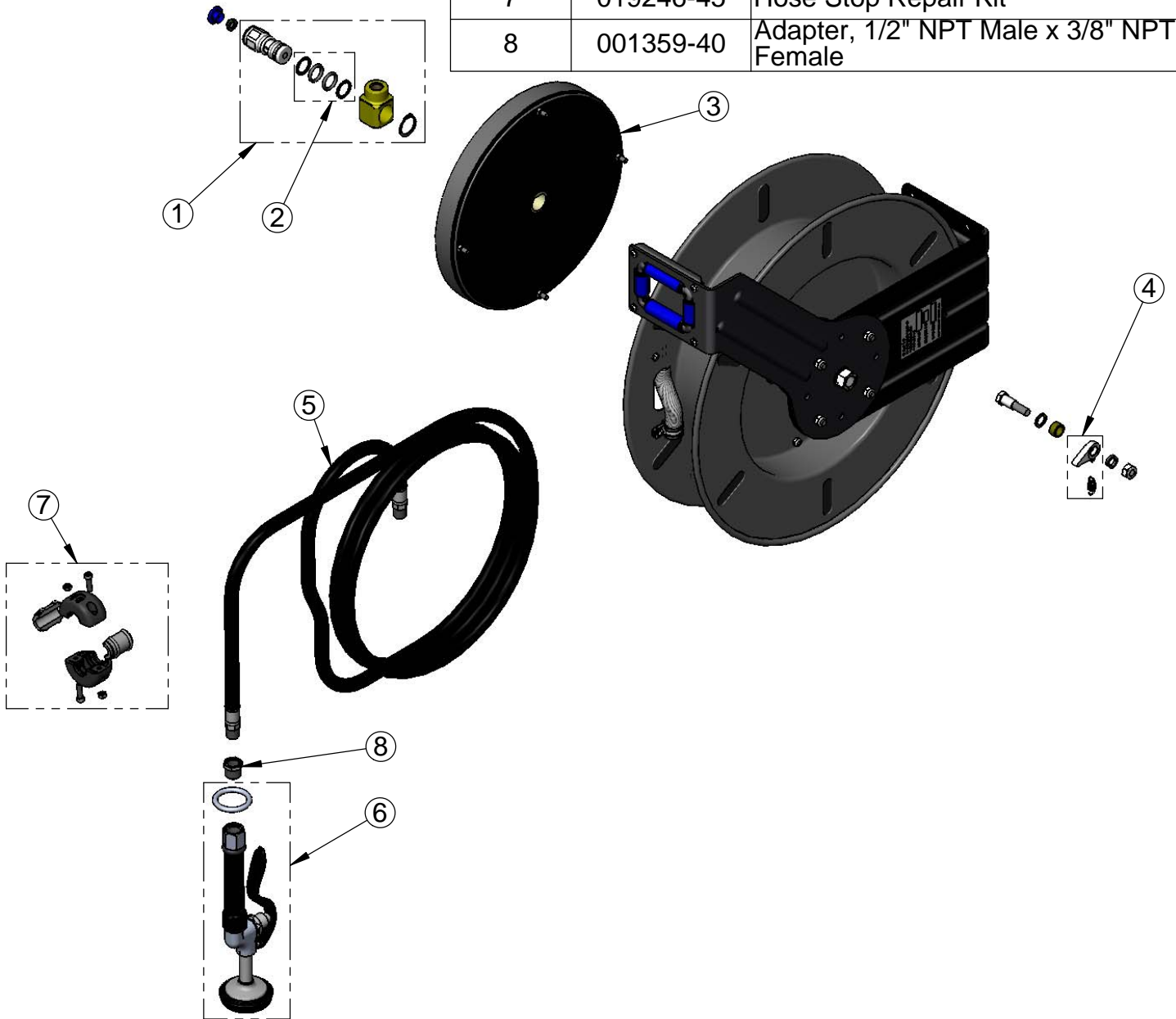
Model Number <h2 style="text-align: center;">5HR-242-01</h2>	Product Specifications: <h3 style="text-align: center;">Black Powder Coated Steel, Open Hose Reel w/ <math>\text{Ø} 3/8"</math> x 50' Hose &amp; High Flow Spray Valve</h3>
---	--

Product Compliance: EPAAct 2005 Non-Compliant (PRSV) NSF 61 Exempt (Non-Potable)
--

equip  
Foodservice  
Accessories

2 Saddleback Cove, P.O. Box 1088  
 Travelers Rest, South Carolina 29690  
 Phone: 800.891.4808 Fax: 800.868.0084  
 equip.tsbrass.com

ITEM NO.	SALES NO.	DESCRIPTION
1	5HR-2SA	Complete 3/8" Swivel
2	014948-45	Seal Kit
3	G016684-45	Spring
4	014940-45	Ratchet Repair Kit
5	5HR-2HSE-50	Ø 3/8" x 50" Hose
6	5SV-WH	Hose Reel Spray Valve
7	019246-45	Hose Stop Repair Kit
8	001359-40	Adapter, 1/2" NPT Male x 3/8" NPT Female



Model Number  
**5HR-242-01**

Product Specifications:  
**Black Powder Coated Steel, Open Hose Reel  
w/ Ø3/8" x 50' Hose & High Flow Spray Valve**

Product Compliance:  
EPAct 2005 Non-Compliant (PRSV)  
NSF 61 Exempt (Non-Potable)

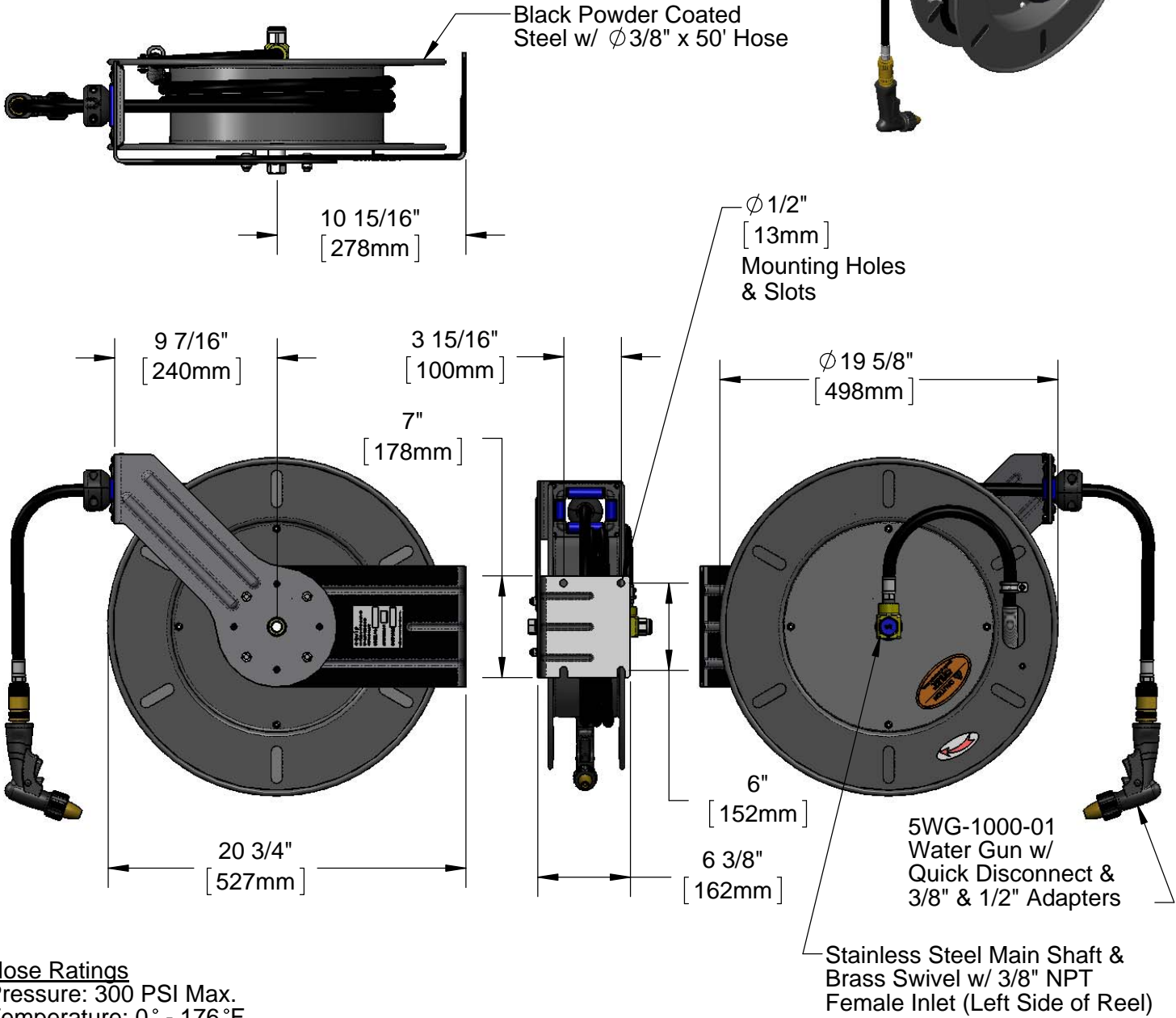
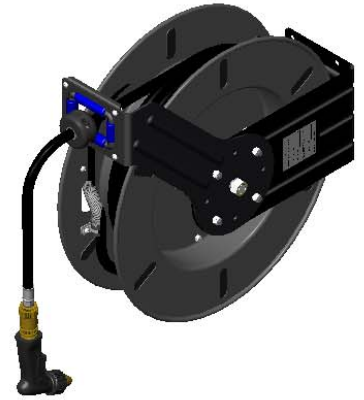
equip  
Foodservice  
Accessories



2 Saddleback Cove, P.O. Box 1088  
Travelers Rest, South Carolina 29690  
Phone: 800.891.4808 Fax: 800.868.0084  
equip.tsbrass.com

This Space for Architect/Engineer Approval

Job Name \_\_\_\_\_ Date \_\_\_\_\_  
 Model Specified \_\_\_\_\_ Quantity \_\_\_\_\_  
 Customer/Wholesaler \_\_\_\_\_  
 Contractor \_\_\_\_\_  
 Architect/Engineer \_\_\_\_\_

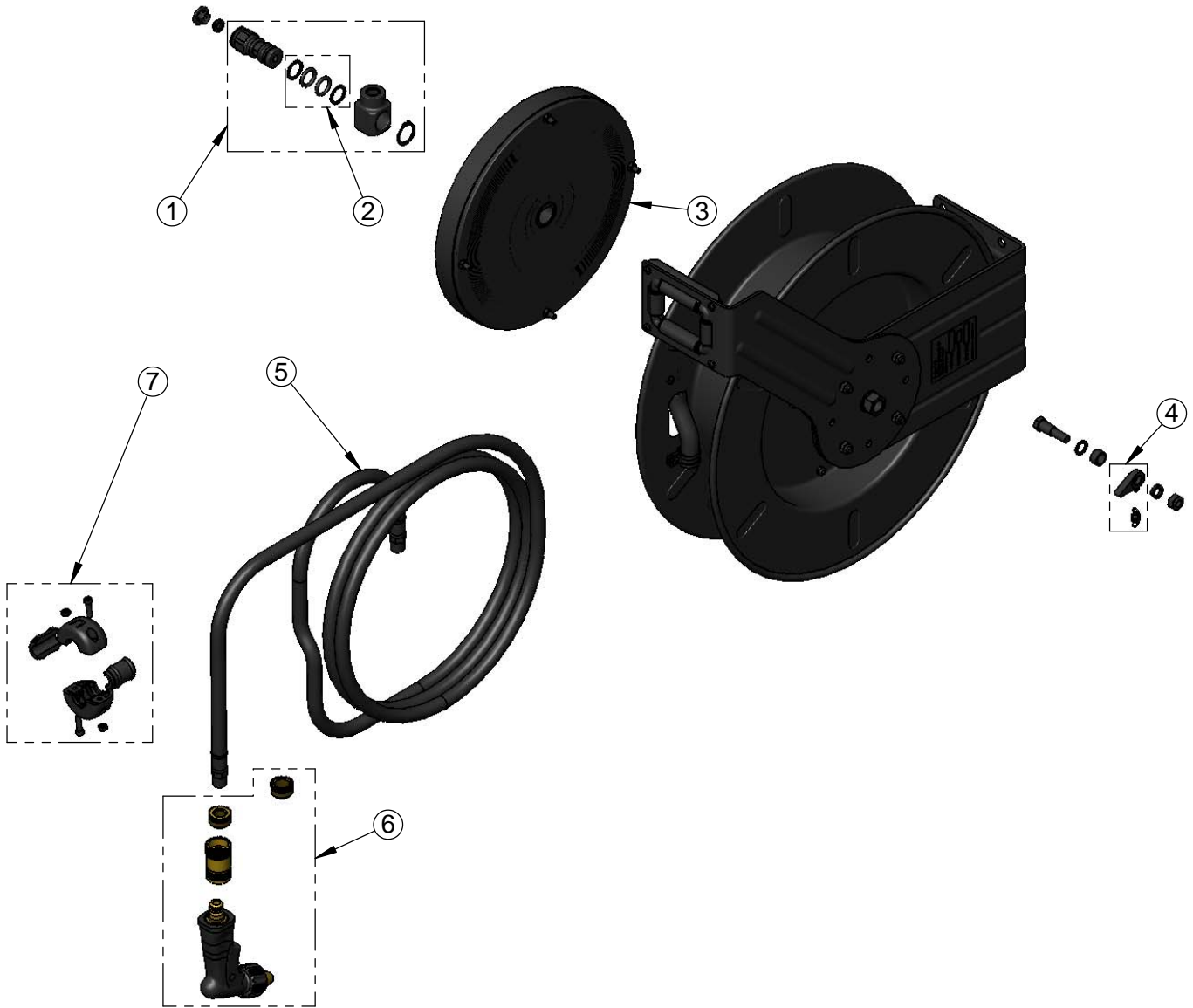


Hose Ratings

Pressure: 300 PSI Max.  
 Temperature: 0° - 176°F

Model Number  <h2 style="text-align: center;">5HR-242-09</h2>	Product Specifications:  <h3 style="text-align: center;">Black Powder Coated Steel, Open Hose Reel w/ <math>\phi 3/8"</math> x 50' Hose &amp; Water Gun w/ Adapters</h3>
Product Compliance:  EPAAct 2005 Non-Compliant (PRSV) NSF 61 Exempt (Non-Potable)	<div style="display: flex; justify-content: space-between; align-items: center;"> <div data-bbox="600 1906 738 1980">                     equip                      Foodservice                      Accessories                 </div> <div data-bbox="747 1858 1096 2030"> </div> <div data-bbox="1104 1896 1550 1995">                     2 Saddleback Cove, P.O. Box 1088                      Travelers Rest, South Carolina 29690                      Phone: 800.891.4808 Fax: 800.868.0084                      equip.tsbrass.com                 </div> </div>

ITEM NO.	SALES NO.	DESCRIPTION
1	5HR-2SA	Complete 3/8" Swivel
2	014948-45	Seal Kit
3	G016684-45	Spring
4	014940-45	Ratchet Repair Kit
5	5HR-2HSE-50	Ø 3/8" x 50' Hose
6	5WG-1000-01	equip Water Gun w/ QD, 3/8" & 1/2" Adapters
7	019246-45	Hose Stop Repair Kit



Model Number

**5HR-242-09**

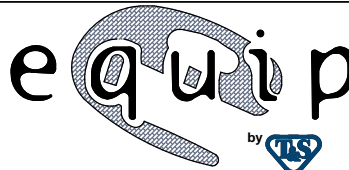
Product Specifications:

Black Powder Coated Steel, Open Hose Reel  
w/ Ø3/8" x 50' Hose & Water Gun w/ Adapters

Product Compliance:

EPA Act 2005 Non-Compliant (PRSV)  
NSF 61 Exempt (Non-Potable)

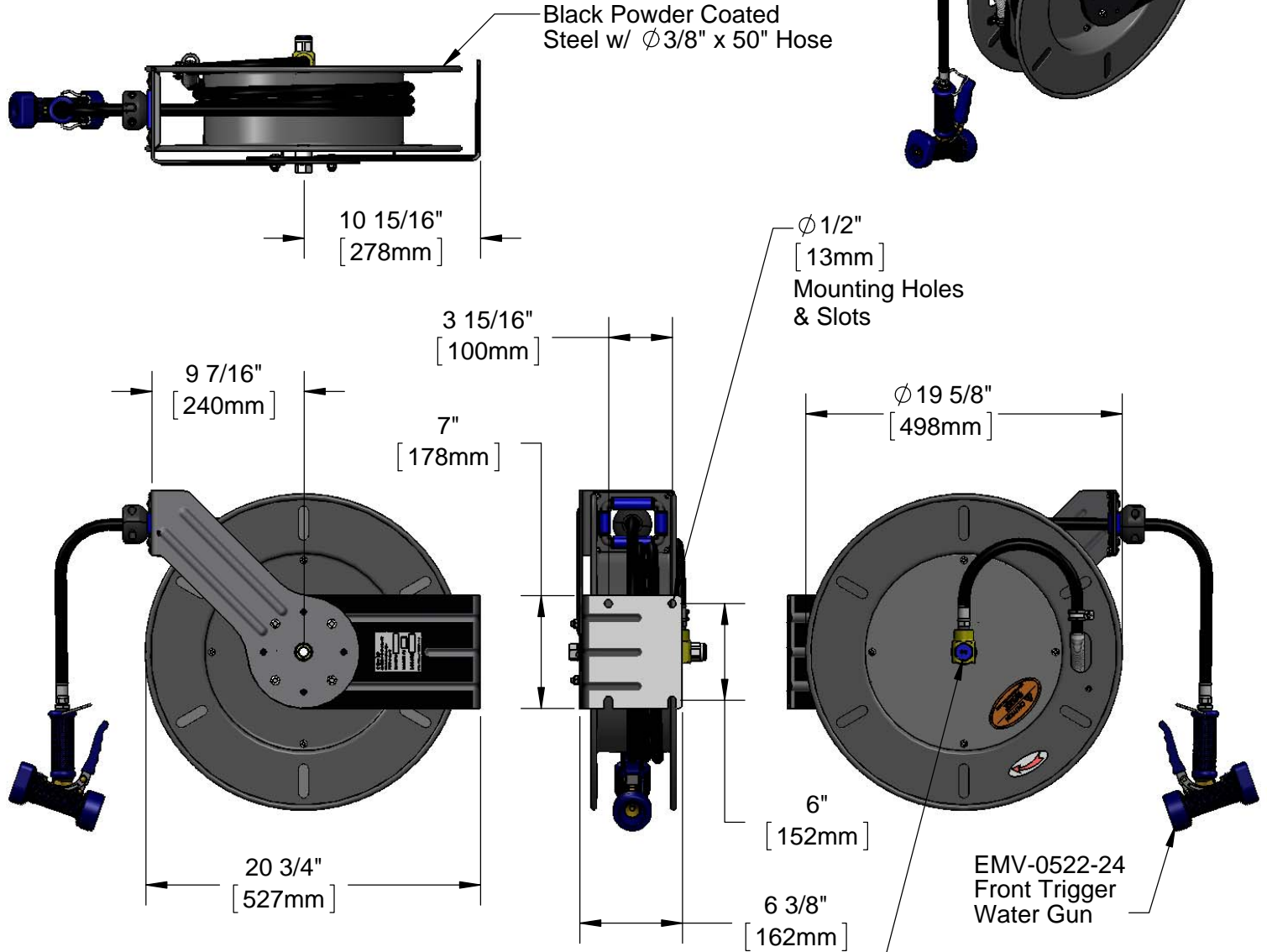
equip  
Foodservice  
Accessories



2 Saddleback Cove, P.O. Box 1088  
Travelers Rest, South Carolina 29690  
Phone: 800.891.4808 Fax: 800.868.0084  
equip.tsbrass.com

*This Space for Architect/Engineer Approval*

Job Name \_\_\_\_\_ Date \_\_\_\_\_  
 Model Specified \_\_\_\_\_ Quantity \_\_\_\_\_  
 Customer/Wholesaler \_\_\_\_\_  
 Contractor \_\_\_\_\_  
 Architect/Engineer \_\_\_\_\_

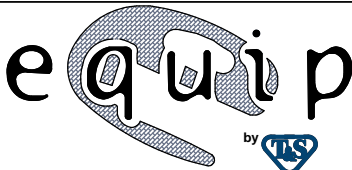


**Hose Ratings**  
 Pressure: 300 PSI Max.  
 Temperature: 176°F Max.

Model Number	<b>5HR-242-12</b>
Product Compliance:	NSF 61 Exempt (Non-Potable) EPAAct 2005 Non-Compliant (PRSV)

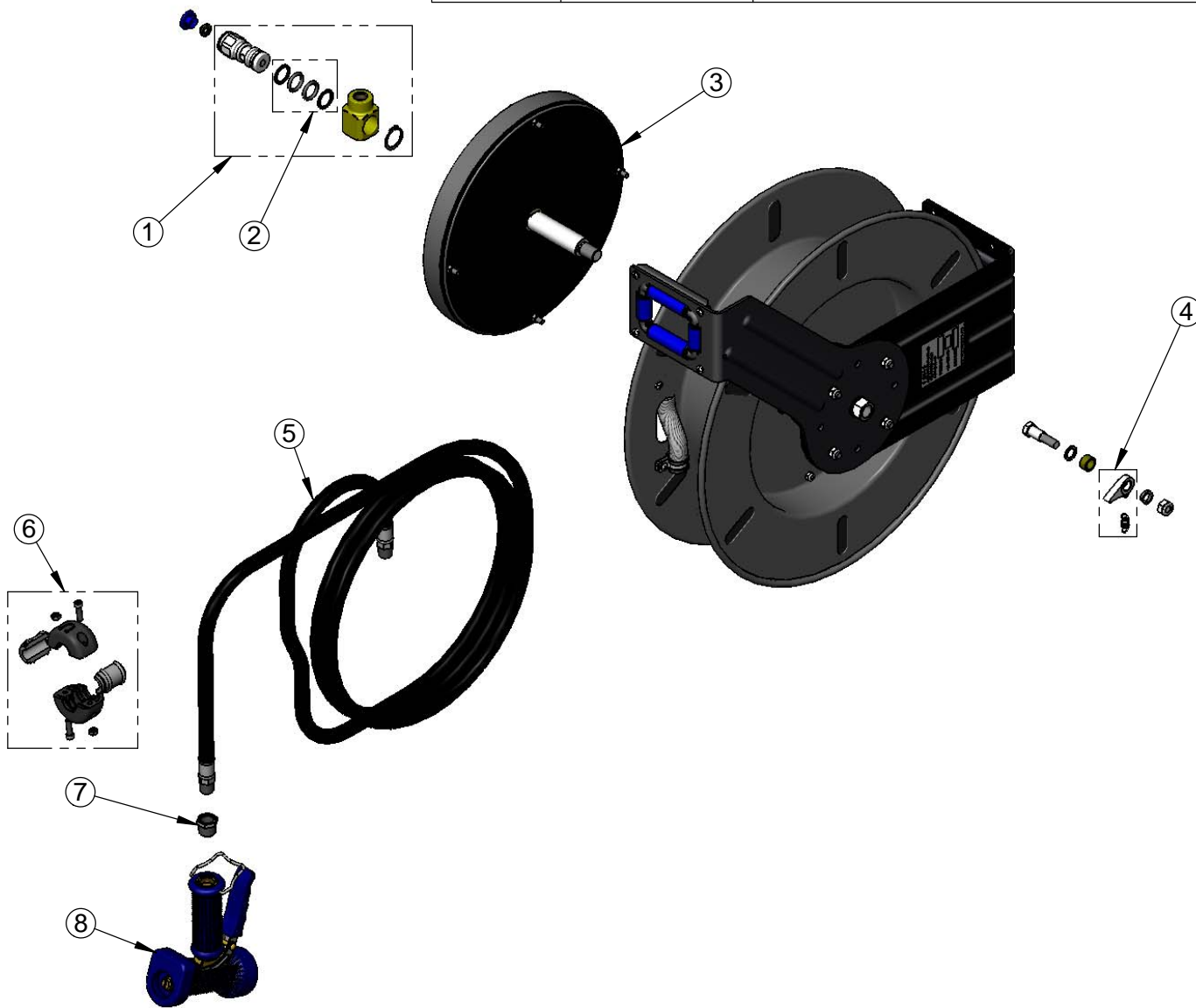
Product Specifications:

**Black Powder Coated Steel, Open Hose Reel w/ 3/8" x 50' Hose & Front Trigger Water Gun**



2 Saddleback Cove, P.O. Box 1088  
 Travelers Rest, South Carolina 29690  
 Phone: 800.891.4808 Fax: 800.868.0084  
 equip.tsbrass.com

ITEM NO.	SALES NO.	DESCRIPTION
1	5HR-2SA	Complete 3/8" Swivel Assembly
2	014948-45	Seal Kit
3	G016684-45	Spring Assembly
4	014940-45	Ratchet Repair Kit
5	5HR-2HSE-50	Ø 3/8" x 50" Hose
6	019246-45	Hose Stop Repair Kit
7	001359-40	Hex Bushing, 1/2" Male x 3/8" Female
8	EMV-0522-24	Front Trigger Water Gun



Model Number

**5HR-242-12**

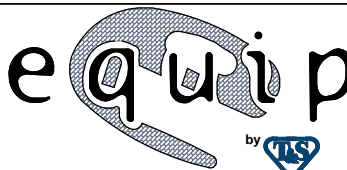
Product Specifications:

**Black Powder Coated Steel, Open Hose Reel  
w/ 3/8" x 50' Hose & Front Trigger Water Gun**

Product Compliance:

NSF 61 Exempt (Non-Potable)  
EPAAct 2005 Non-Compliant (PRSV)

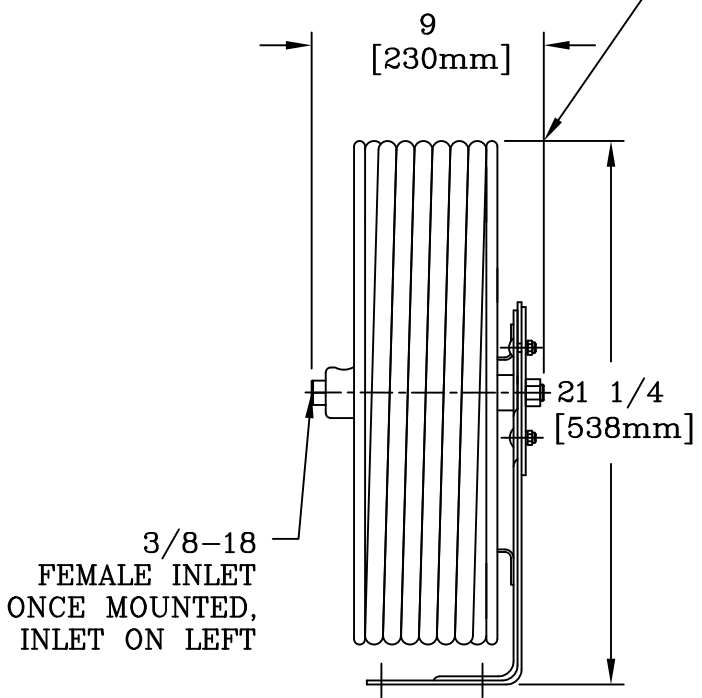
equip  
Foodservice  
Accessories



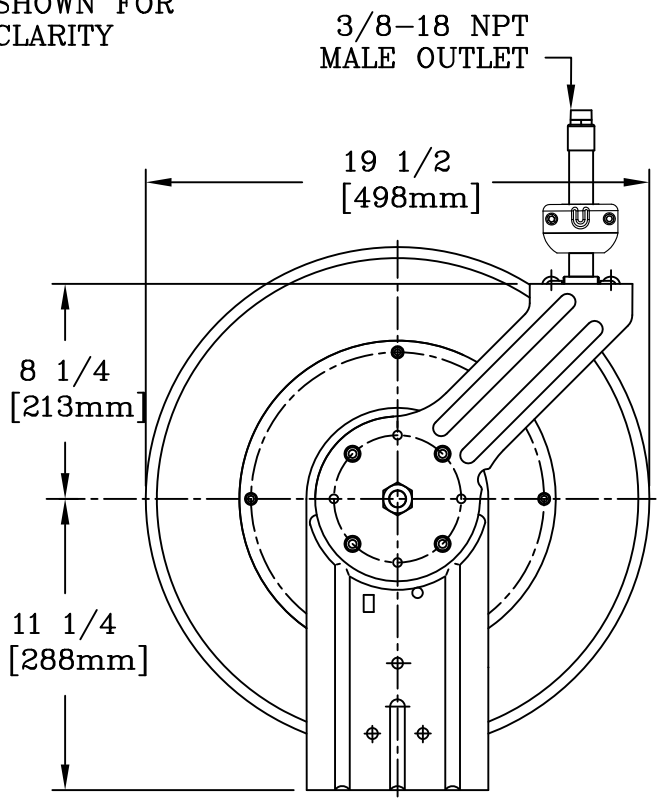
2 Saddleback Cove, P.O. Box 1088  
Travelers Rest, South Carolina 29690  
Phone: 800.891.4808 Fax: 800.868.0084  
equip.tsbrass.com



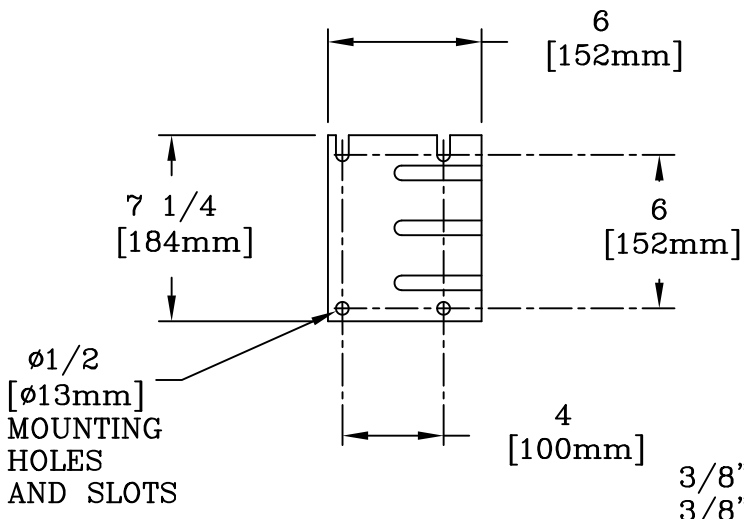
This Space For Architect/Engineer Approval  
 Job Name \_\_\_\_\_ Date \_\_\_\_\_  
 Model Specified \_\_\_\_\_ Quantity \_\_\_\_\_  
 Customer/Wholesaler \_\_\_\_\_  
 Contractor \_\_\_\_\_  
 Architect/Engineer \_\_\_\_\_



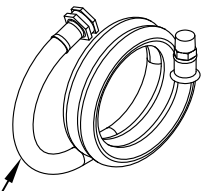
HOSE GUIDE NOT SHOWN FOR CLARITY



NOTE: HOSE RATINGS ARE AS FOLLOWS:  
 PRESSURE: 300 PSI MAX.  
 TEMPERATURE: 0°-176°F



3/8" x 3' CONNECTOR HOSE  
 3/8" NPT MALE x  
 3/4"-11.5NH FEMALE



PRIMARY DIMENSIONS IN INCHES UNLESS SPECIFIED OTHERWISE.

MODEL NUMBER 5HR-242-GH	DATE 03/31/15	SCALE 1:8	DRAWN JRM	CHECKED DMH	APPROVED JHB
----------------------------	------------------	--------------	--------------	----------------	-----------------

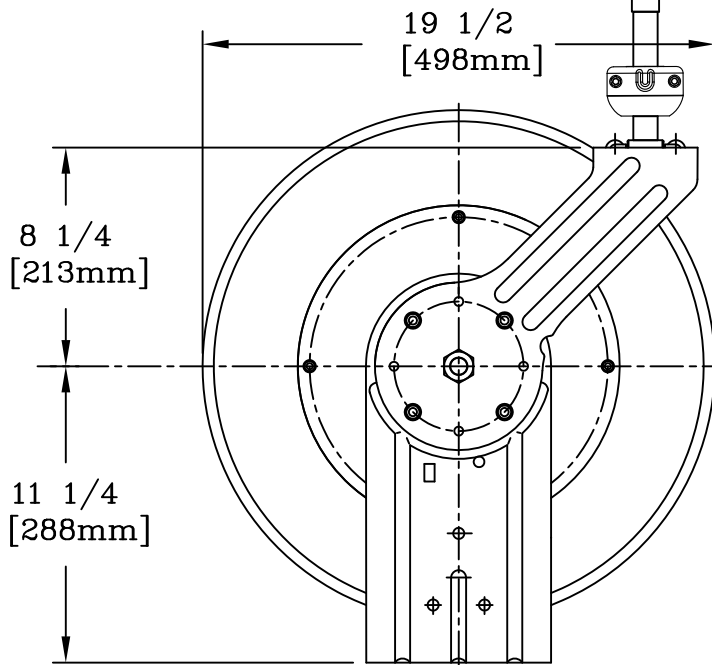
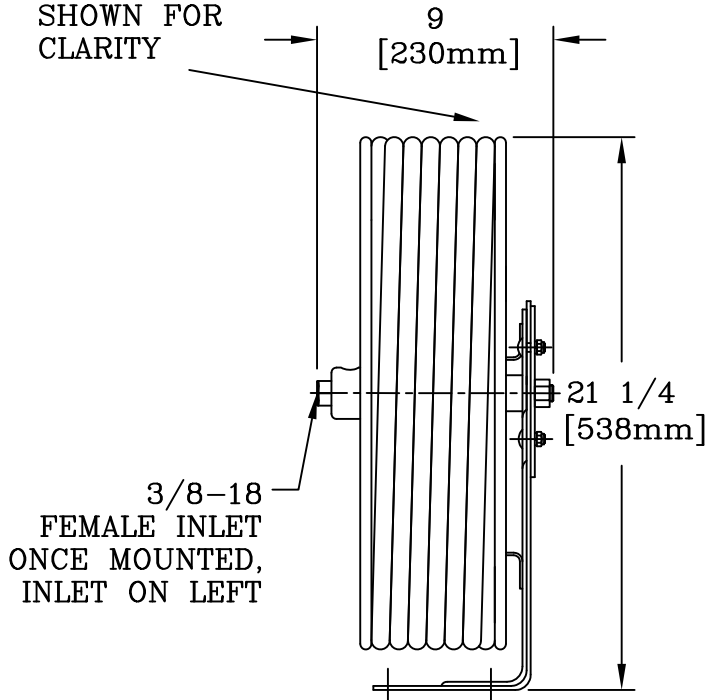


DESCRIPTION  
 OPEN HOSE REEL, BLACK POWDER COATED STEEL, WITH 50' OF 3/8" DIA. HOSE AND 3' BLACK CONNECTOR HOSE w/ GARDEN HOSE END

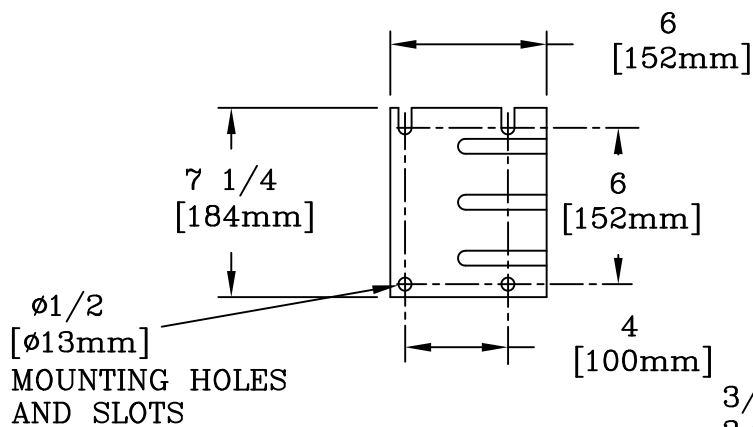
equip Foodservice Accessories  
 P.O. BOX 1088, 2 SADDLEBACK COVE  
 TRAVELERS REST, SOUTH CAROLINA 29690  
 PHONE: 800.891.4808 FAX: 800.868.0084

SPRAY VALVE  
MODEL 5SV-WH  
w/ HOLD DOWN RING

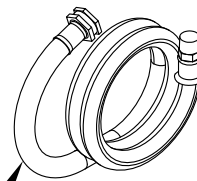
HOSE GUIDE NOT  
SHOWN FOR  
CLARITY



NOTE: HOSE RATINGS ARE AS FOLLOWS:  
PRESSURE: 300 PSI MAX.  
TEMPERATURE: 0°-176°F



3/8" x 3' CONNECTOR HOSE  
3/8" NPT MALE x  
3/4"-11.5NH FEMALE



PRIMARY DIMENSIONS IN INCHES UNLESS  
SPECIFIED OTHERWISE.

MODEL NUMBER	5HR-242-01-GH	DATE	03/31/15	SCALE	1:8	DRAWING SIZE	A	DRAWN	JRM	CHECKED	DMH	APPROVED	JHB
--------------	---------------	------	----------	-------	-----	--------------	---	-------	-----	---------	-----	----------	-----



DESCRIPTION OPEN HOSE REEL, BLACK POWDER COATED STEEL,  
WITH 50' OF 3/8" DIA. HOSE, 3' BLACK CONNECTOR  
HOSE w/GARDEN HOSE END AND SPRAY VALVE

equip Foodservice Accessories  
P.O. BOX 1088, 2 SADDLEBACK COVE  
TRAVELERS REST, SOUTH CAROLINA 29690  
PHONE: 800.891.4808 FAX: 800.868.0084