



ADA Compliant

This Space for Architect/Engineer Approval

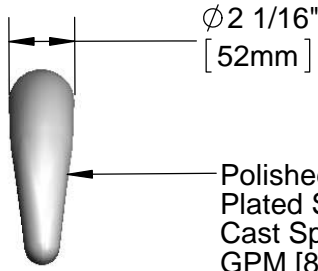
Job Name _____ Date _____

Model Specified _____ Quantity _____

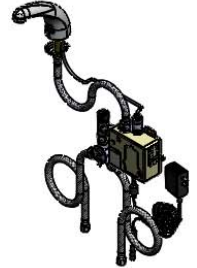
Customer/Wholesaler _____

Contractor _____

Architect/Engineer _____



Polished Chrome Plated Solid Brass Cast Spout w/ 2.2 GPM [8.3 LPM] Vandal Resistant Aerator & Key

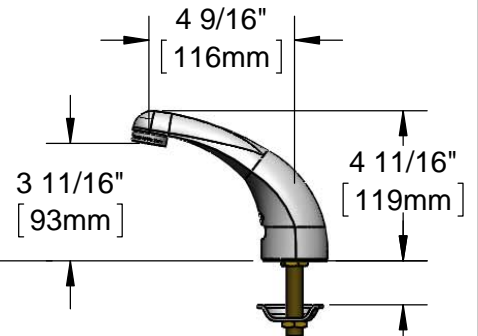


24" [610mm] Sensor Cable

1/4" NPSM Female x 1/2" NPSM Female x 18" [457mm] Long Flexible Stainless Steel Hose

3 5/8" x 4 3/16" x 2" [92mm x 106mm x 51mm] Deep Control Module Box (White) w/ Water Resistant Connections. AC or DC Operated w/ (4) AA Batteries

Mounting Surface



1 3/8" [35mm] Maximum Thickness

Removable Strainer

Mechanical Mixing Valve w/ Integral Check Valves

100-240 VAC Adapter 144" [3658mm] Long Double Power Cord w/ (Remove Rubber Plug in Module to Connect)

(2) 3/8" Compression x 1/2" NPSM 18" [457mm] Flexible Stainless Steel Supply Hoses

Rough-In Requirement:
Ø 1 1/4" [32mm] Mounting Hole

Model Number

5EF-1D-DS

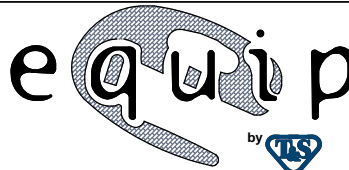
Product Compliance:

ASME A112.18.1 / CSA B125.1
NSF 61 - Section 9
NSF 372 (Low Lead Content)
ANSI A117.1 (ADA)
UL 1951

Product Specifications:

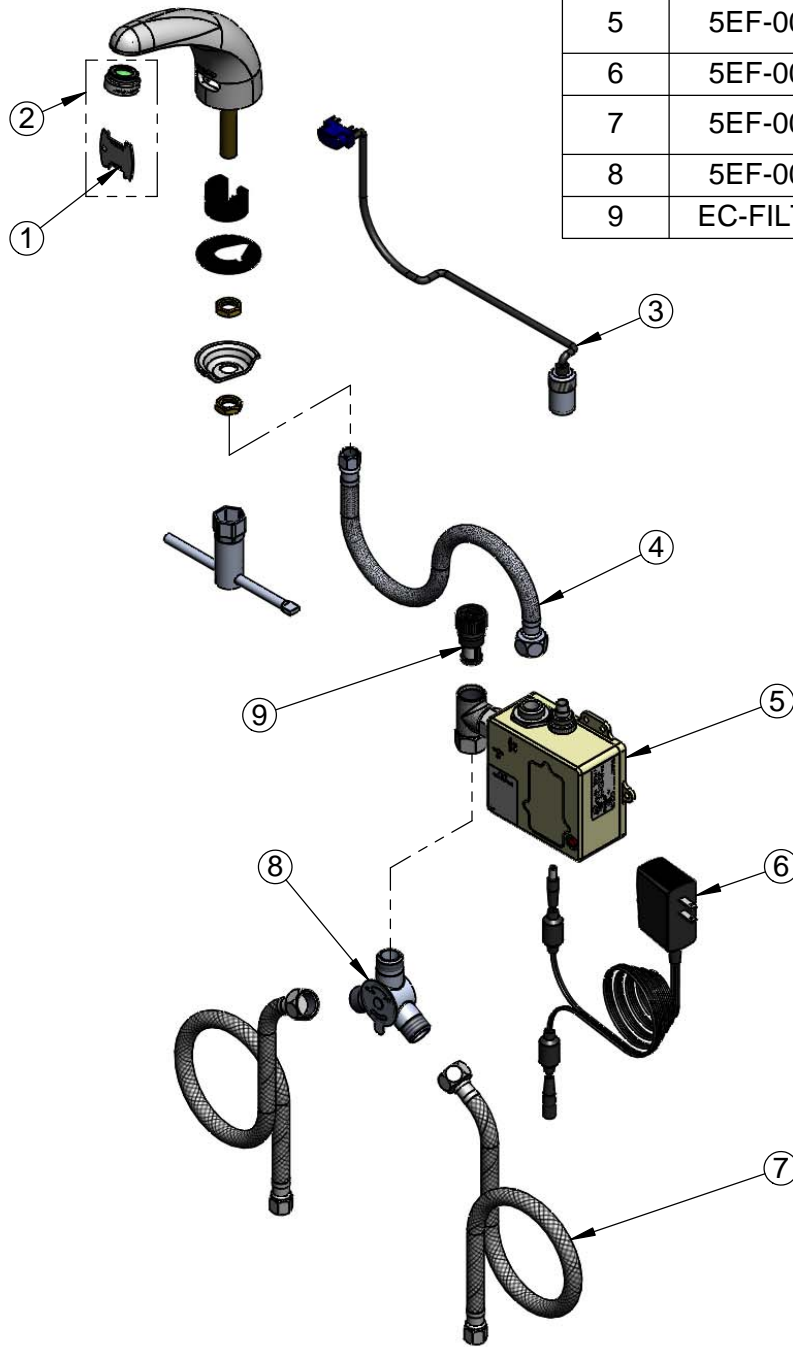
Electronic Faucet: Single Hole Deck Mount Cast Spout Faucet, AC-DC Control Module, Temperature Control Mixing Valve, Integral Check Valves & (2) 18" Flexible Supply Hoses

equip
Foodservice
Accessories



2 Saddleback Cove, P.O. Box 1088
Travelers Rest, South Carolina 29690
Phone: 800.891.4808 Fax: 800.868.0084
equip.tsbrass.com

ITEM NO.	SALES NO.	DESCRIPTION
1	015425-45	Vandal Resistant Key
2	B-0199-09	Vandal Resistant 2.2 GPM Aerator
3	5EF-0003	24" Sensor Cable
4	016297-45	Inlet Hose, Faucet, 1/2" NPSM-F x 1/4" NPSM-F
5	5EF-0001	equip Sensor Faucet - Control Module
6	5EF-0002	equip AC Transformer, 100-240 VAC
7	5EF-0005	Supply Hose, 9/16-24UN Female x 1/2" NPSM
8	5EF-0006	Mechanical Mixing Valve
9	EC-FILTER	Replacement Filter



Model Number

5EF-1D-DS

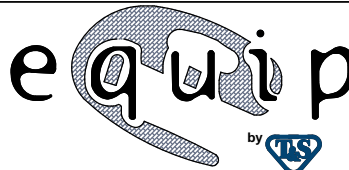
Product Specifications:

Electronic Faucet: Single Hole Deck Mount Cast Spout Faucet, AC-DC Control Module, Temperature Control Mixing Valve, Integral Check Valves & (2) 18" Flexible Supply Hoses

Product Compliance:

ASME A112.18.1 / CSA B125.1
NSF 61 - Section 9
NSF 372 (Low Lead Content)
ANSI A117.1 (ADA)
UL 1951

equip
Foodservice
Accessories



2 Saddleback Cove, P.O. Box 1088
Travelers Rest, South Carolina 29690
Phone: 800.891.4808 Fax: 800.868.0084
equip.tsbrass.com



ADA Compliant

This Space for Architect/Engineer Approval

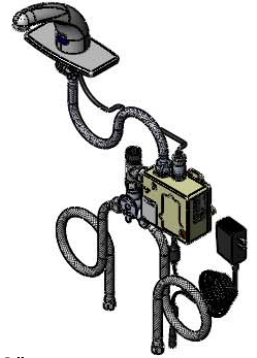
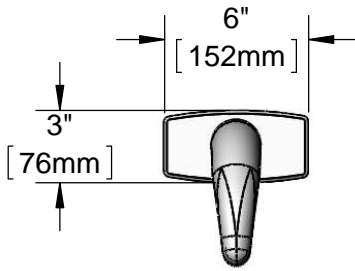
Job Name _____ Date _____

Model Specified _____ Quantity _____

Customer/Wholesaler _____

Contractor _____

Architect/Engineer _____



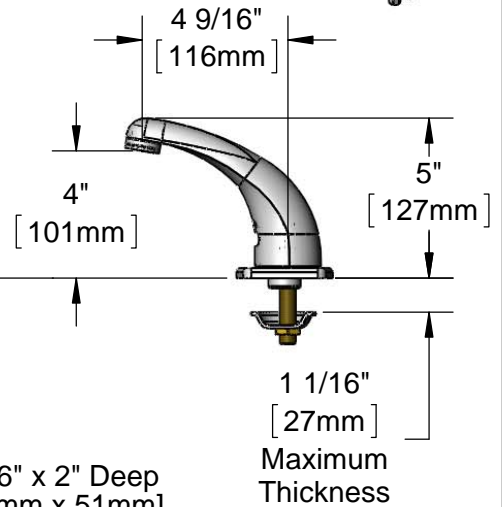
Polished Chrome Plated Solid Brass Cast Spout w/ 2.2 GPM [8.3 LPM] VR Aerator & Key

6" [152mm] Wide Forged Deck Plate

24" [610mm] Sensor Cable

1/4" NPSM Female x 1/2" NPSM Female x 18" [457mm] Long Flexible Stainless Steel Hose.

Mounting Surface



4" [102mm]

Removable Strainer

Mechanical Mixing Valve w/ Integral Check Valves

3 5/8" x 4 3/16" x 2" Deep [92mm x 106mm x 51mm] Control Module Box (White) w/ Water Resistant Connections. AC or DC Operated w/ (4) AA Batteries

100-240 VAC Adapter 144" [3658mm] Long Double Power Cord. (Remove Rubber Plugs on Module and Cable to Connect)

(2) 3/8" Compression x 1/2" NPSM 18" [457mm] Flexible Stainless Steel Supply Hose

Rough-In Requirement:
Ø 1" [25mm] Center Hole
(2) Ø 1 1/8" [28mm] Side Holes

Model Number 5EF-1D-DS-4DP	Date 01/09/13	Scale 1:4	Drawn KJG	Checked GEF	Approved JHB
--------------------------------------	-------------------------	---------------------	---------------------	-----------------------	------------------------

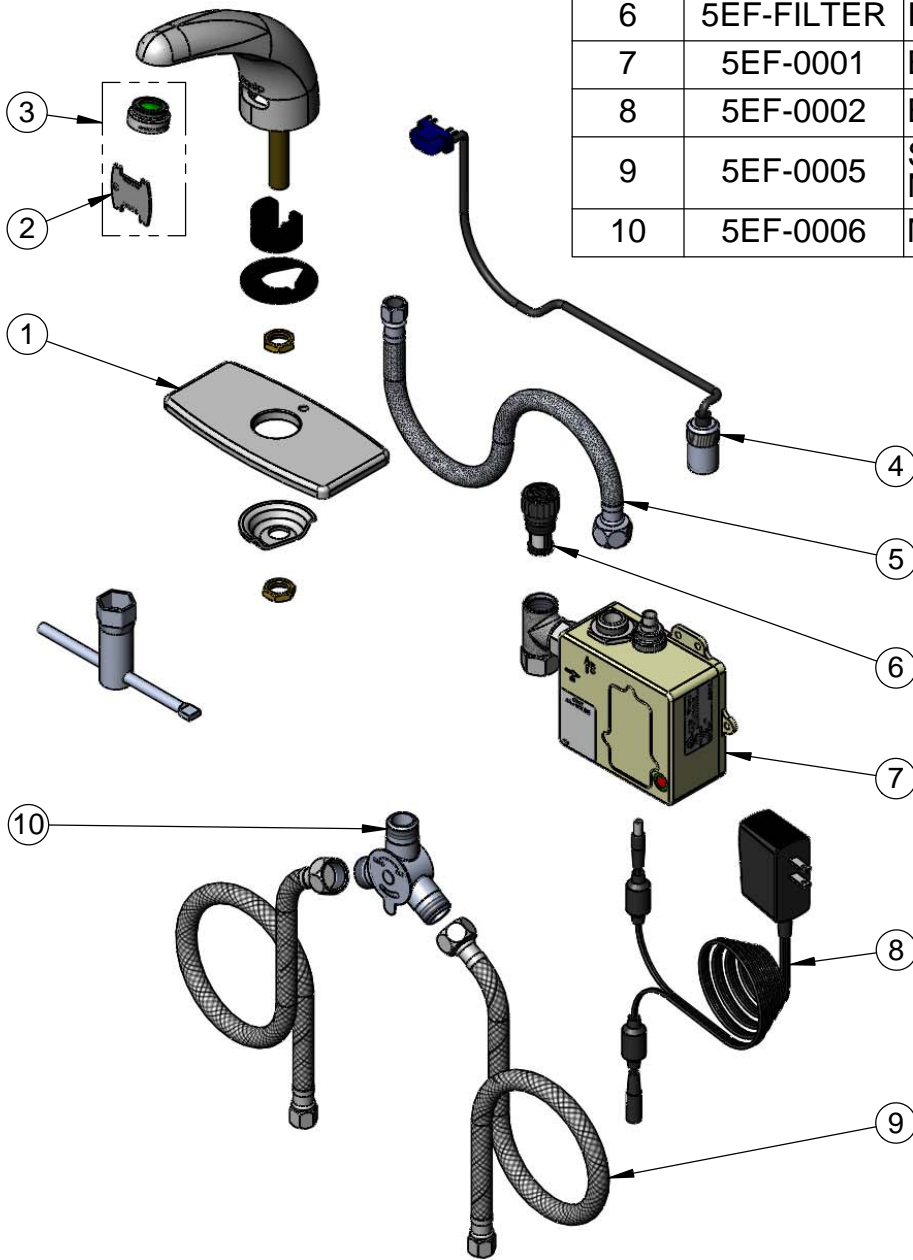
Product Specifications:

Electronic Faucet: Cast Brass Single Hole Deck Mount, 4" Deck Plate, Temperature Control Mixing Valve w/ Integral Check Valves, (2) 18" Long Flexible Supply Hoses & AC-DC Control Module



equip Foodservice Accessories
2 Saddleback Cove, P.O. Box 1088
Travelers Rest, South Carolina 29690
Phone: 800.891.4808 Fax: 800.868.0084

ITEM NO.	SALES NO.	DESCRIPTION
1	013433-40	4" Forged Deck Plate
2	015425-45	Vandal Resistant Key
3	B-0199-09	VR 2.2 GPM Aerator, 15/16"-27UN Male
4	5EF-0004	24" Sensor Cable
5	016297-45	Inlet Hose, Faucet, 1/2" NPSM-F x 1/4" NPSM-F
6	5EF-FILTER	Replacement Filter
7	5EF-0001	Equip Sensor faucet Control Module
8	5EF-0002	Equip AC Transformer, 100-240 VAC
9	5EF-0005	Supply Hose, 9/16-24 Female x 1/2" NPSM
10	5EF-0006	Mechanical Mixing Valve



Model Number 5EF-1D-DS-4DP	Date 01/09/13	Scale NTS	Drawn KJG	Checked GEF	Approved JHB
-------------------------------	------------------	--------------	--------------	----------------	-----------------



Product Specifications:

Electronic Faucet: Cast Brass Single Hole Deck Mount, 4" Deck Plate, Temperature Control Mixing Valve w/ Integral Check Valves, (2) 18" Long Flexible Supply Hoses & AC-DC Control Module

equip Foodservice Accessories
 2 Saddleback Cove, P.O. Box 1088
 Travelers Rest, South Carolina 29690
 Phone: 800.891.4808 Fax: 800.868.0084



ADA Compliant

2 1/16"
[52mm]



This Space for Architect/Engineer Approval

Job Name _____ Date _____

Model Specified _____ Quantity _____

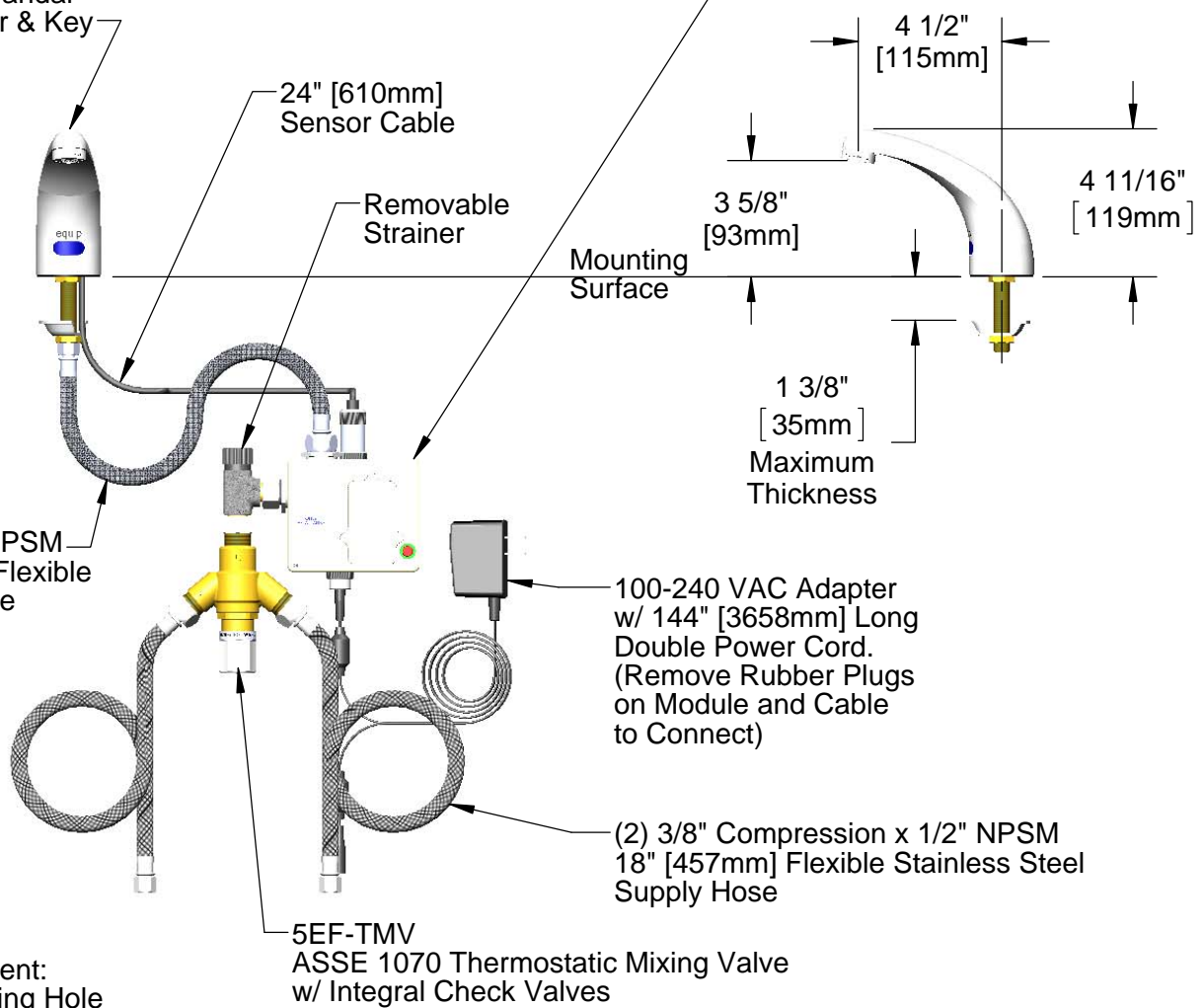
Customer/Wholesaler _____

Contractor _____

Architect/Engineer _____

3 5/8" x 4 3/16" x 2" Deep
[92mm x 106mm x 51mm]
Water Resistant Control Module Box (White)
AC or DC Operated w/ (4) AA Batteries

Polish Chrome Plated Solid
Cast Brass Spout w/ 2.2
GPM [8.3 LPM] Vandal
Resistant Aerator & Key



1/2" NPSM x 1/4" NPSM
18" [457mm] Long Flexible
Stainless Steel Hose

Rough-In Requirement:
Ø 1" [25mm] Mounting Hole

Model Number 5EF-1D-DS-TMV	Date 08/01/12	Scale 1:6	Drawn GEF	Checked DMH	Approved JHB
-------------------------------	------------------	--------------	--------------	----------------	-----------------

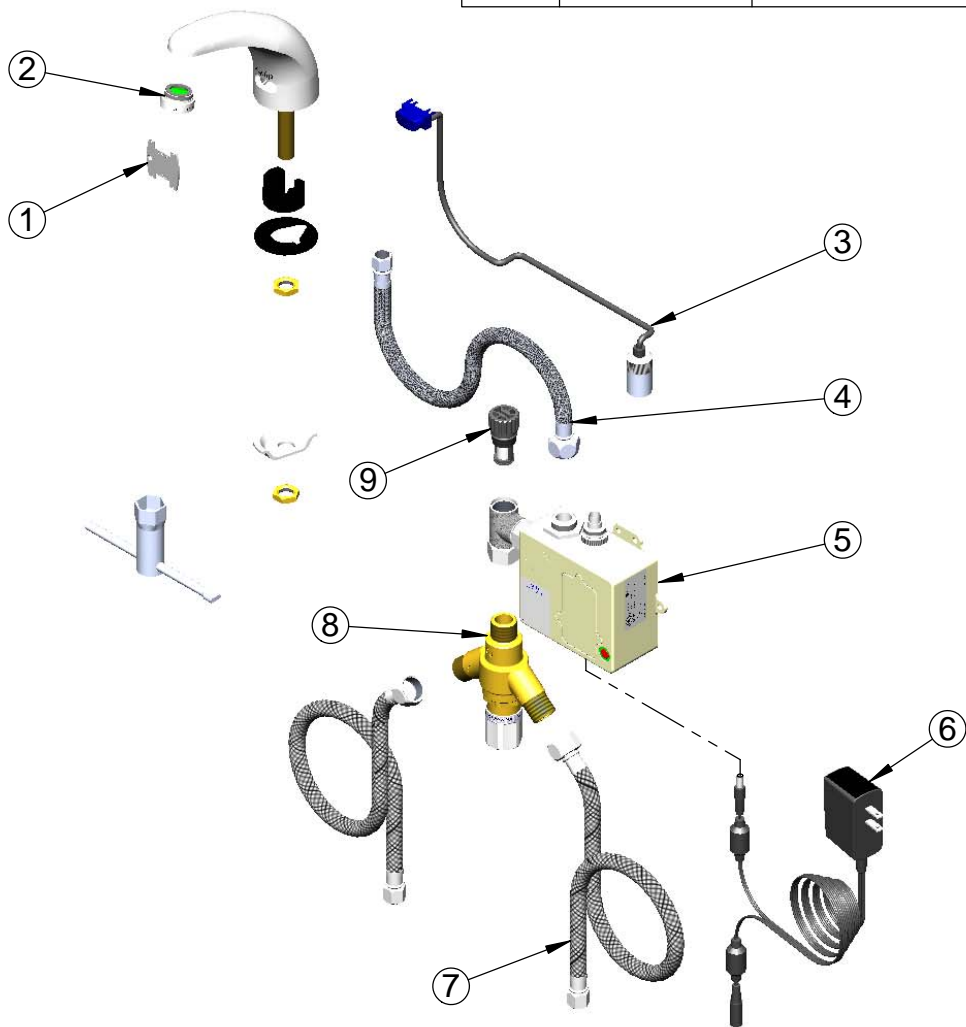
Product Specifications:

**Electronic Faucet: Deck Mount, Cast Spout w/ VR 2.2 GPM
Aerator, Thermostatic Temperature Control Mixing Valve w/ Integral Check
Valves, (2) 18" Long Flexible Supply Hoses & AC-DC Control Module**



equip Foodservice Accessories
2 Saddleback Cove, P.O. Box 1088
Travelers Rest, South Carolina 29690
Phone: 800.891.4808 Fax: 800.868.0084

ITEM NO.	SALES NO.	DESCRIPTION
1	015425-45	Vandal Resistant Key
2	B-0199-09	Vandal Resistant Aerator, 2.2 GPM
3	5EF-0004	24" Sensor Cable
4	016297-45	Inlet Hose, Faucet, 1/2" NPSM-F x 1/4" NPSM-F
5	5EF-0001	equip Sensor Faucet - Control Module
6	5EF-0002	Equip AC Transformer, 100-240 VAC
7	5EF-0005	Supply Hose, 9/16-24 Female x 1/2" NPSM
8	5EF-TMV	ASSE 1070 Thermostatic Mixing Valve
9	5EF-FILTER	Replacement Filter



Model Number 5EF-1D-DS-TMV	Date 08/01/12	Scale NTS	Drawn GEF	Checked DMH	Approved JHB
-------------------------------	------------------	--------------	--------------	----------------	-----------------



Product Specifications:
**Electronic Faucet: Deck Mount, Cast Spout w/ VR 2.2 GPM
 Aerator, Thermostatic Temperature Control Mixing Valve w/ Integral Check
 Valves, (2) 18" Long Flexible Supply Hoses & AC-DC Control Module**

equip Foodservice Accessories
 2 Saddleback Cove, P.O. Box 1088
 Travelers Rest, South Carolina 29690
 Phone: 800.891.4808 Fax: 800.868.0084

Ø 2 1/16"
[52mm]



ADA Compliant

This Space for Architect/Engineer Approval

Job Name _____ Date _____

Model Specified _____ Quantity _____

Customer/Wholesaler _____

Contractor _____

Architect/Engineer _____

Polished Chrome Plated
Solid Brass Cast Spout w/
B-0199-09-N05
VR 0.5 GPM [1.9 LPM]
Non-Aerated Spray Device
& Key

3 5/8" x 4 3/16" x 2"
[92mm x 106mm x 51mm]
Deep Control Module Box
(White) w/ Water Resistant
Connections. AC or DC
Operated w/ (4) AA Batteries

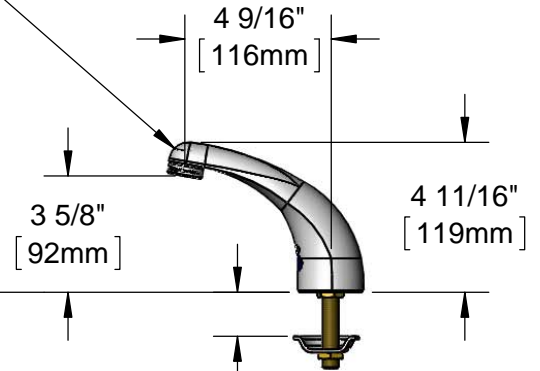
24" [610mm]
Sensor Cable

Removable
Strainer

Mounting Surface

1/2" NPSM x 1/4" NPSM
18" [457mm] Long
Flexible Stainless
Steel Hose

Mechanical Mixing Valve
w/ Integral Check Valves



1 3/8"
[35mm]
Maximum
Thickness

100-240 VAC Adapter
144" [3658mm] Long
Double Power Cord.
(Remove Rubber Plug
on Module and Cable
to Connect)

(2) 3/8" Compression x 1/2" NPSM
18" [457mm] Flexible Stainless
Supply Hoses

Rough-In Requirement:
Ø 1 1/4" [32mm] Mounting Hole

Model Number

5EF-1D-DS-VF05

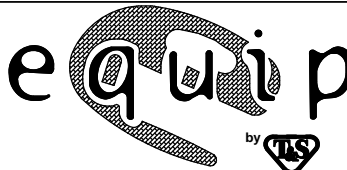
Product Specifications:

Electronic Faucet: Cast Brass Single Hole Deck Mount, VR 0.5 GPM
Non-Aerated Spray Device, Temperature Control Mixing Valve w/ Integral
Check Valves, (2) 18" Long Flexible Supply Hoses & AC-DC Control Module

Product Compliance:

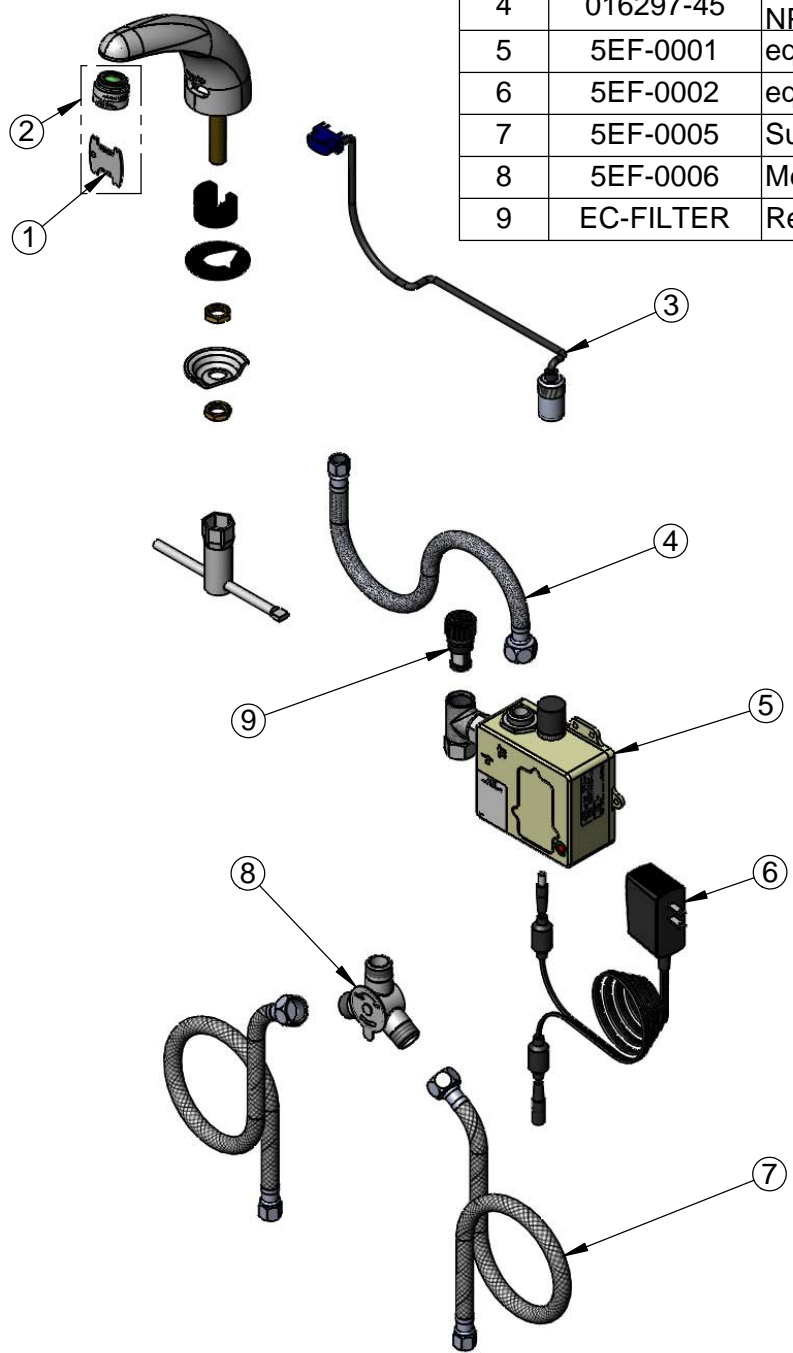
ASME A112.18.1 / CSA B125.1
NSF 61 - Section 9
NSF 372 (Low Lead Content)
ANSI A117.1 (ADA)
UL 1951

equip
Foodservice
Accessories



2 Saddleback Cove, P.O. Box 1088
Travelers Rest, South Carolina 29690
Phone: 800.891.4808 Fax: 800.868.0084
equip.tsbrass.com

ITEM NO.	SALES NO.	DESCRIPTION
1	015425-45	Vandal Resistant Key
2	B-0199-09-N05	VR 0.5 GPM Non-Aerated Spray Device, 15/16-27 UN Male w/ Key
3	5EF-0003	24" Sensor Cable
4	016297-45	Inlet Hose, Faucet, 1/2" NPSM Female x 1/4" NPSM Female
5	5EF-0001	equip Sensor Faucet - Control Module
6	5EF-0002	equip AC Transformer, 100-240 VAC
7	5EF-0005	Supply Hose, 9/16-24 Female x 1/2" NPSM
8	5EF-0006	Mechanical Mixing Valve
9	EC-FILTER	Replacement Filter



Model Number
5EF-1D-DS-VF05

Product Compliance:
ASME A112.18.1 / CSA B125.1
NSF 61 - Section 9
NSF 372 (Low Lead Content)
ANSI A117.1 (ADA)
UL 1951

Product Specifications:
Electronic Faucet: Cast Brass Single Hole Deck Mount, VR 0.5 GPM Non-Aerated Spray Device, Temperature Control Mixing Valve w/ Integral Check Valves, (2) 18" Long Flexible Supply Hoses & AC-DC Control Module

equip
Foodservice
Accessories



2 Saddleback Cove, P.O. Box 1088
Travelers Rest, South Carolina 29690
Phone: 800.891.4808 Fax: 800.868.0084
equip.tsbrass.com