



T&S BRASS AND BRONZE WORKS, INC.
 2 SADDLEBACK COVE / P.O. BOX 1088 / TRAVELERS REST, SC 29690
 PHONE 800-476-4103 - FAX 864- 834-3518



Model No.

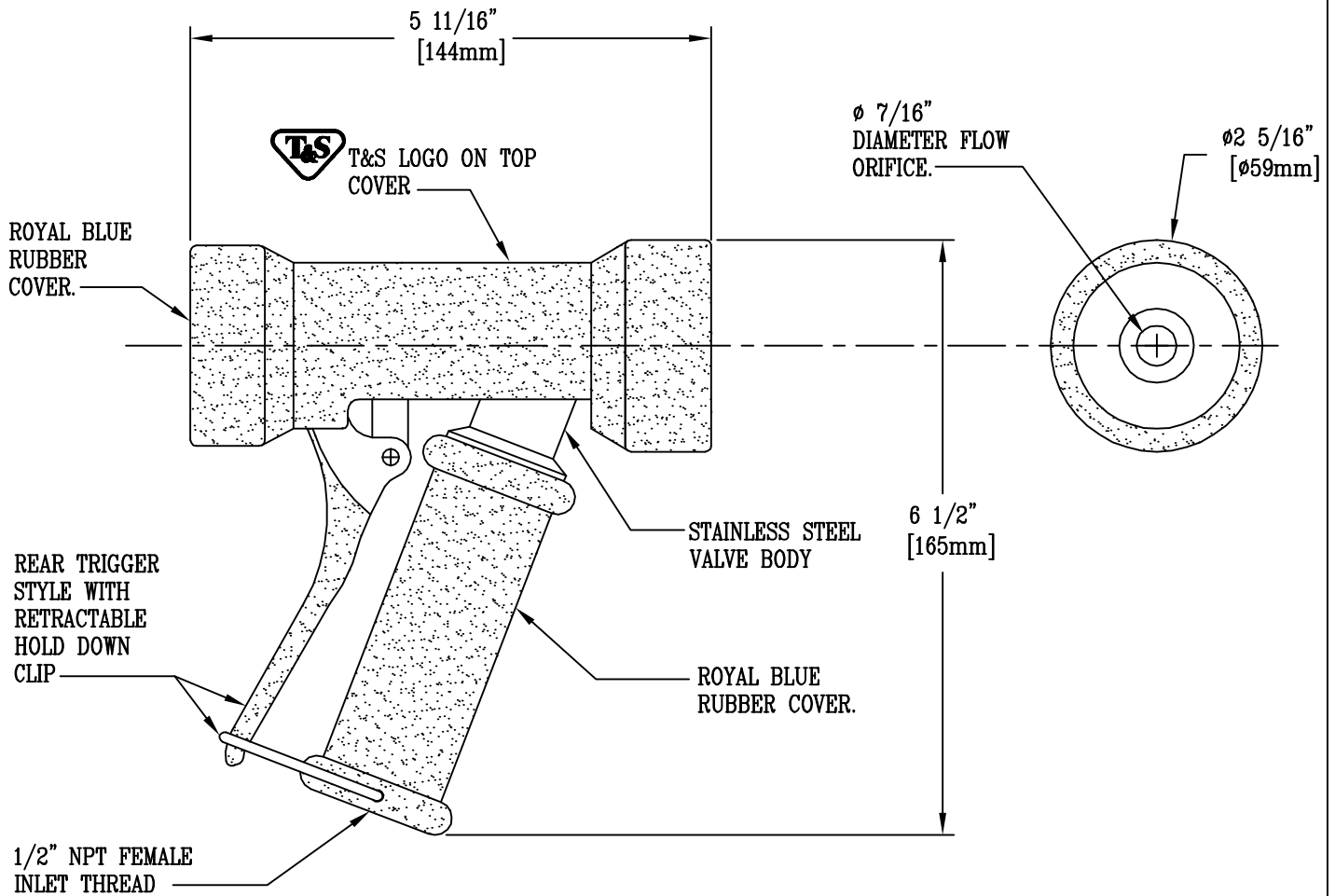
MV-2516-31

**RELIABILITY
 BUILT IN**

Job Name:

Architect/Engineer Approval:

Notes:



1/2" NPT x 1/2" HOSE BARB CONNECTOR

Product Description:
 STAINLESS STEEL WATER GUN, REAR TRIGGER,
 7/16" FLOW ORIFICE, RUBBER COVER
 WITH 1/2" NPT x 1/2" HOSE BARB CONNECTOR

Drawn:

LEL

Checked

JKD

Scale:

1 : 2

Approved

MVW

Date:

12/12/02



T&S BRASS AND BRONZE WORKS, INC.
 2 SADDLEBACK COVE / P.O. BOX 1088 / TRAVELERS REST, SC 29690
 PHONE 800-476-4103 - FAX 864- 834-3518



Model No.

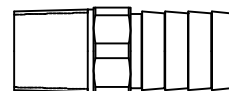
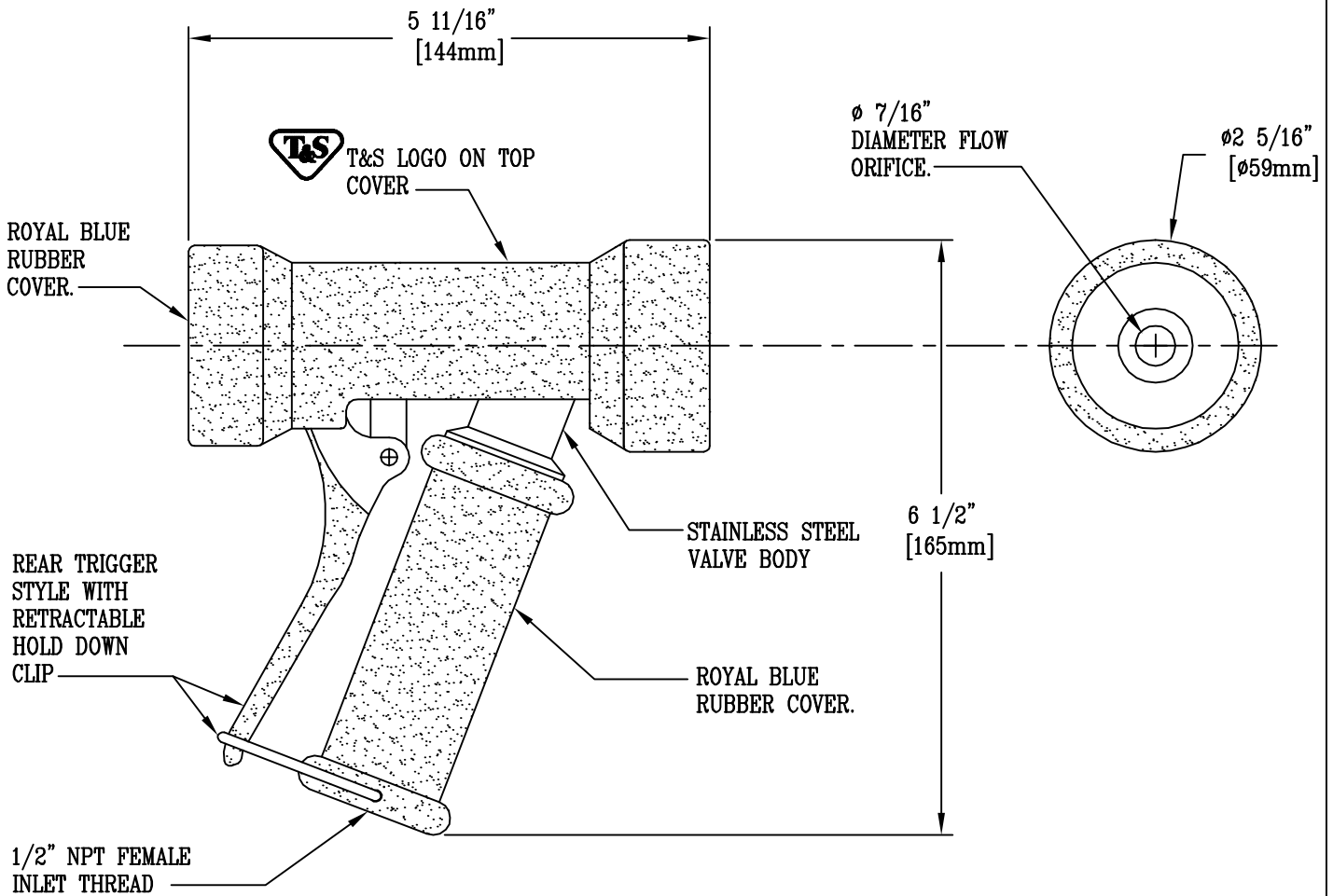
MV-2516-32

**RELIABILITY
 BUILT IN**

Job Name:

Architect/Engineer Approval:

Notes:



1/2" NPT x 3/4" HOSE BARB CONNECTOR

Product Description:
 STAINLESS STEEL WATER GUN, REAR TRIGGER,
 7/16" FLOW ORIFICE, RUBBER COVER
 WITH 1/2" NPT x 3/4" HOSE BARB CONNECTOR

Drawn:

LEL

Checked

JKD

Scale:

1 : 2

Approved

MVW

Date:

12/12/02



T&S BRASS AND BRONZE WORKS, INC.
 2 SADDLEBACK COVE / P.O. BOX 1088 / TRAVELERS REST, SC 29690
 PHONE 800-476-4103 - FAX 864- 834-3518



Model No.

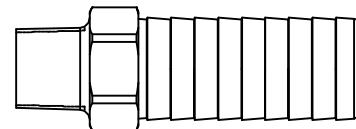
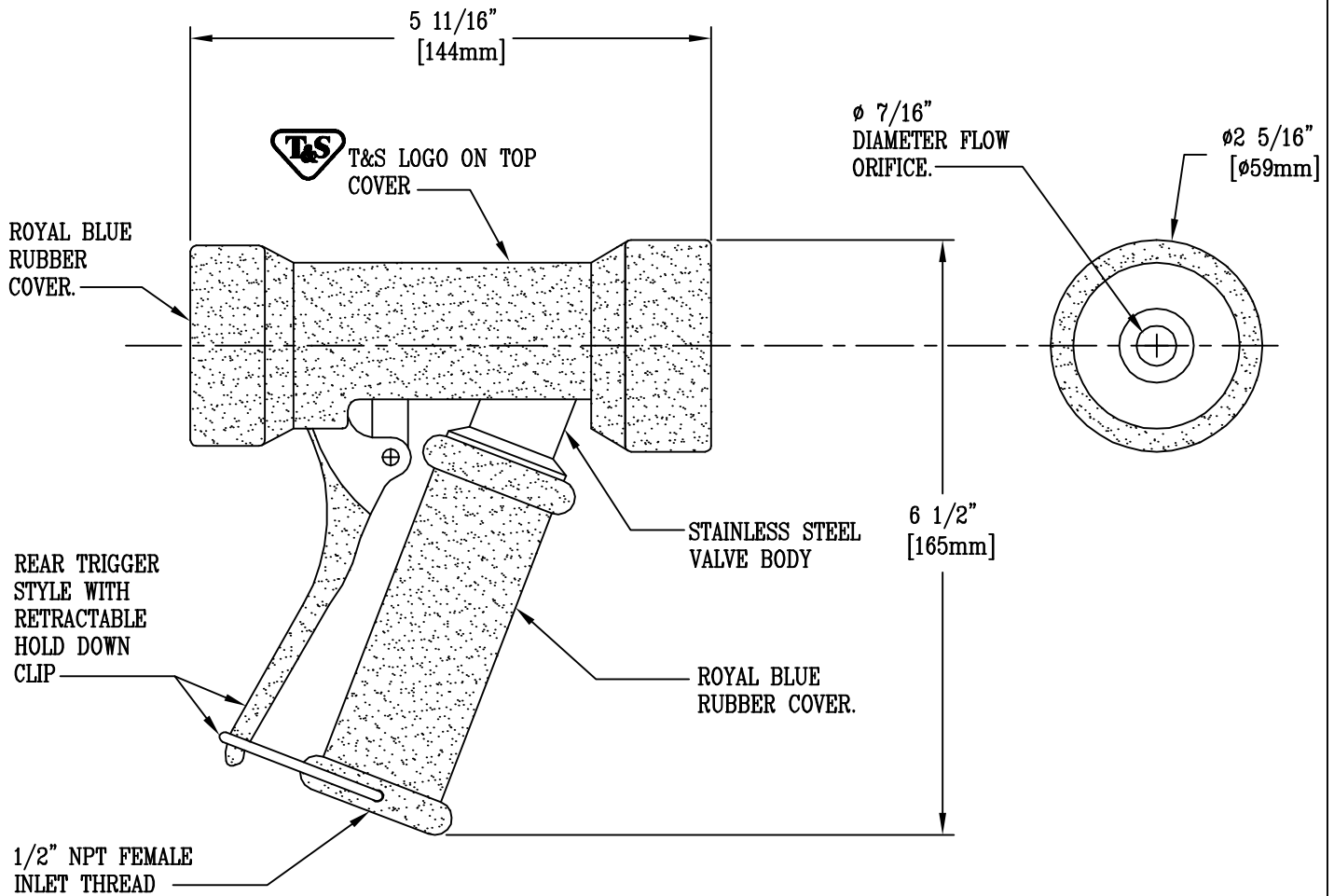
MV-2516-33

**RELIABILITY
 BUILT IN**

Job Name:

Architect/Engineer Approval:

Notes:



1/2" NPT x 1" HOSE BARB CONNECTOR

Product Description:
 STAINLESS STEEL WATER GUN, REAR TRIGGER,
 7/16" FLOW ORIFICE, RUBBER COVER
 WITH 1/2" NPT x 1" HOSE BARB CONNECTOR

Drawn:

LEL

Checked

JKD

Scale:

1 : 2

Approved

MVW

Date:

12/12/02



T&S BRASS AND BRONZE WORKS, INC.
 2 SADDLEBACK COVE / P.O. BOX 1088 / TRAVELERS REST, SC 29690
 PHONE 800-476-4103 - FAX 864- 834-3518



Model No.

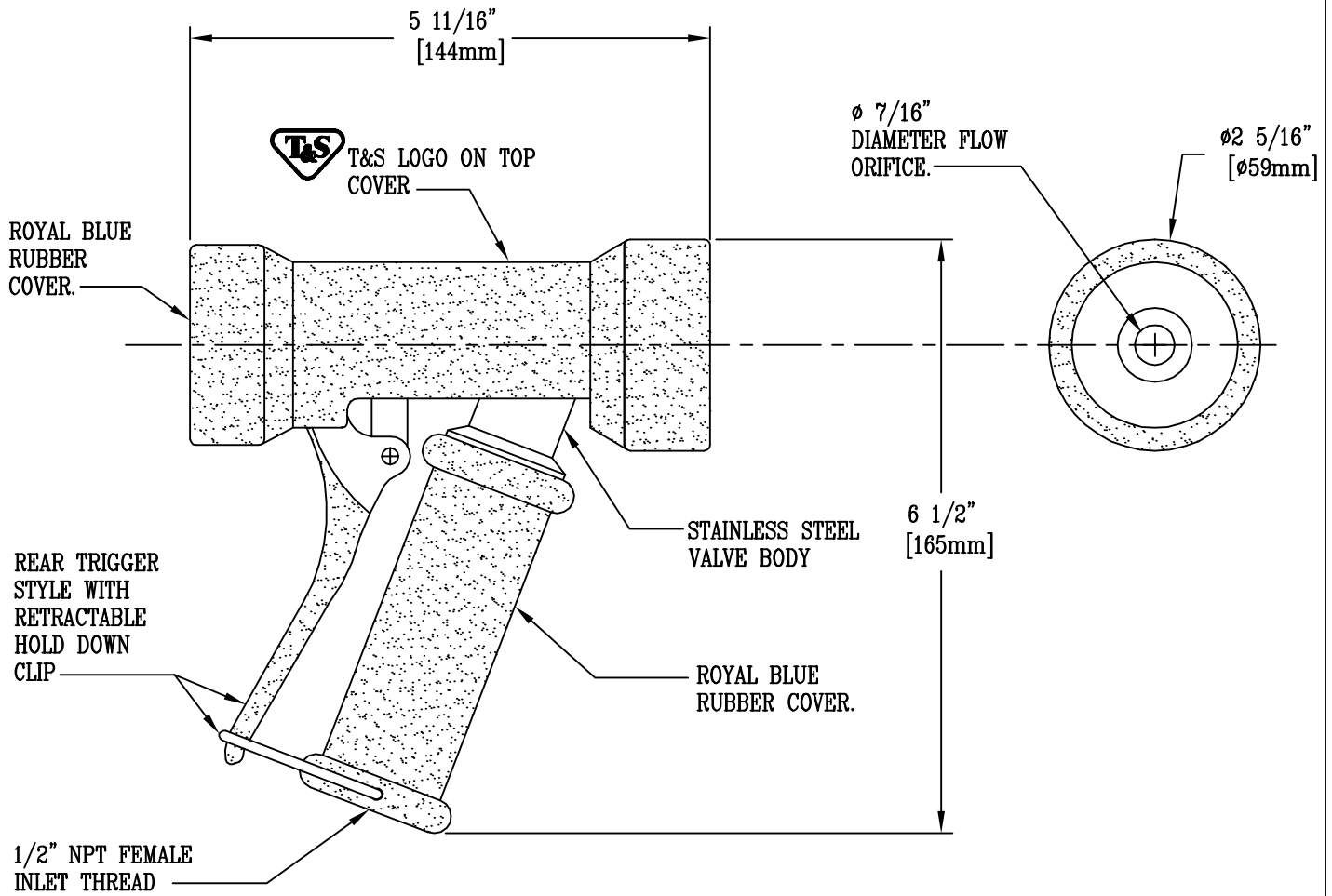
MV-2516-34

**RELIABILITY
 BUILT IN**

Job Name:

Architect/Engineer Approval:

Notes:



Product Description:

STAINLESS STEEL WATER GUN, REAR TRIGGER,
 7/16" FLOW ORIFICE, RUBBER COVER.

Drawn:

LEL

Checked

JKD

Scale:

1 : 2

Approved

MVW

Date:

12/12/02